



US00D934008S

(12) **United States Design Patent**  
**Schneider**

(10) **Patent No.:** **US D934,008 S**

(45) **Date of Patent:** **\*\* Oct. 26, 2021**

(54) **CABINET**

(71) Applicant: **Eric Michael Schneider**, Tucson, AZ  
(US)

(72) Inventor: **Eric Michael Schneider**, Tucson, AZ  
(US)

(\*\*) Term: **15 Years**

(21) Appl. No.: **29/796,896**

(22) Filed: **Jun. 28, 2021**

(51) **LOC (13) Cl.** ..... **06-06**

(52) **U.S. Cl.**  
USPC ..... **D6/675.1**

(58) **Field of Classification Search**  
USPC ..... D6/672, 675, 675.1, 682, 682.1  
CPC . A47F 1/00; A47F 3/00; A47F 5/0018; A47B  
45/00; A47B 47/04; A47B 57/00; A47B  
57/58; A47B 63/00; A47B 47/0083  
See application file for complete search history.

(56) **References Cited**

**U.S. PATENT DOCUMENTS**

D253,567 S *	12/1979	Ungaro	.....	D6/570
D412,073 S *	7/1999	Zaidman	.....	D6/675.1
D492,860 S *	7/2004	Bertoncini	.....	D6/661
D530,118 S *	10/2006	Del Castillo	.....	D6/675.1
8,033,405 B2 *	10/2011	Wang	.....	A47B 43/02
				211/118
D655,948 S *	3/2012	Dardashti	.....	D6/675.1

9,282,816 B2 *	3/2016	Ahart	.....	A47B 96/06
D791,518 S *	7/2017	Basch	.....	D6/675
D805,322 S *	12/2017	Johanson	.....	D6/559
D839,639 S *	2/2019	Nourie	.....	D6/672
D871,103 S *	12/2019	Kergoet	.....	D6/559
D874,854 S *	2/2020	Gelman	.....	D6/672
D913,733 S *	3/2021	Pardo	.....	D6/675.1

\* cited by examiner

*Primary Examiner* — Kelley A Donnelly

(74) *Attorney, Agent, or Firm* — Quarles & Brady, LLP;  
Yakov S. Sidorin

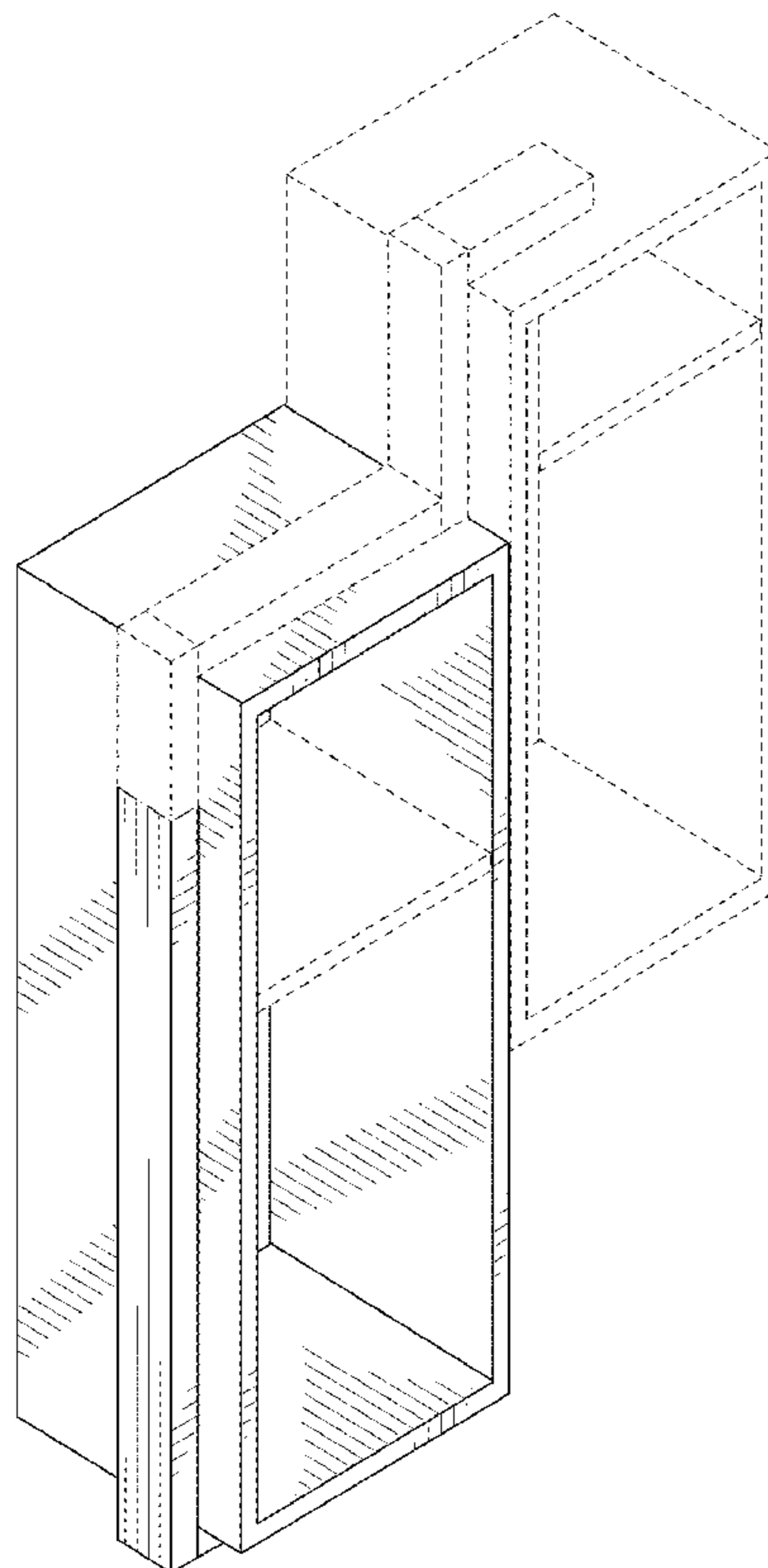
(57) **CLAIM**

The ornamental design for a cabinet, as shown and described.

**DESCRIPTION**

FIG. 1 is a perspective view of the design;  
FIG. 2 is a first side elevational view thereof;  
FIG. 3 is a second side elevational view thereof;  
FIG. 4 is a third side elevational view thereof;  
FIG. 5 is a fourth side elevational view thereof;  
FIG. 6 is top plan view thereof; and,  
FIG. 7 is a bottom plan view thereof.  
The broken lines are included for the purpose of illustrating portions of the cabinet that form no part of the claimed design.

**1 Claim, 5 Drawing Sheets**



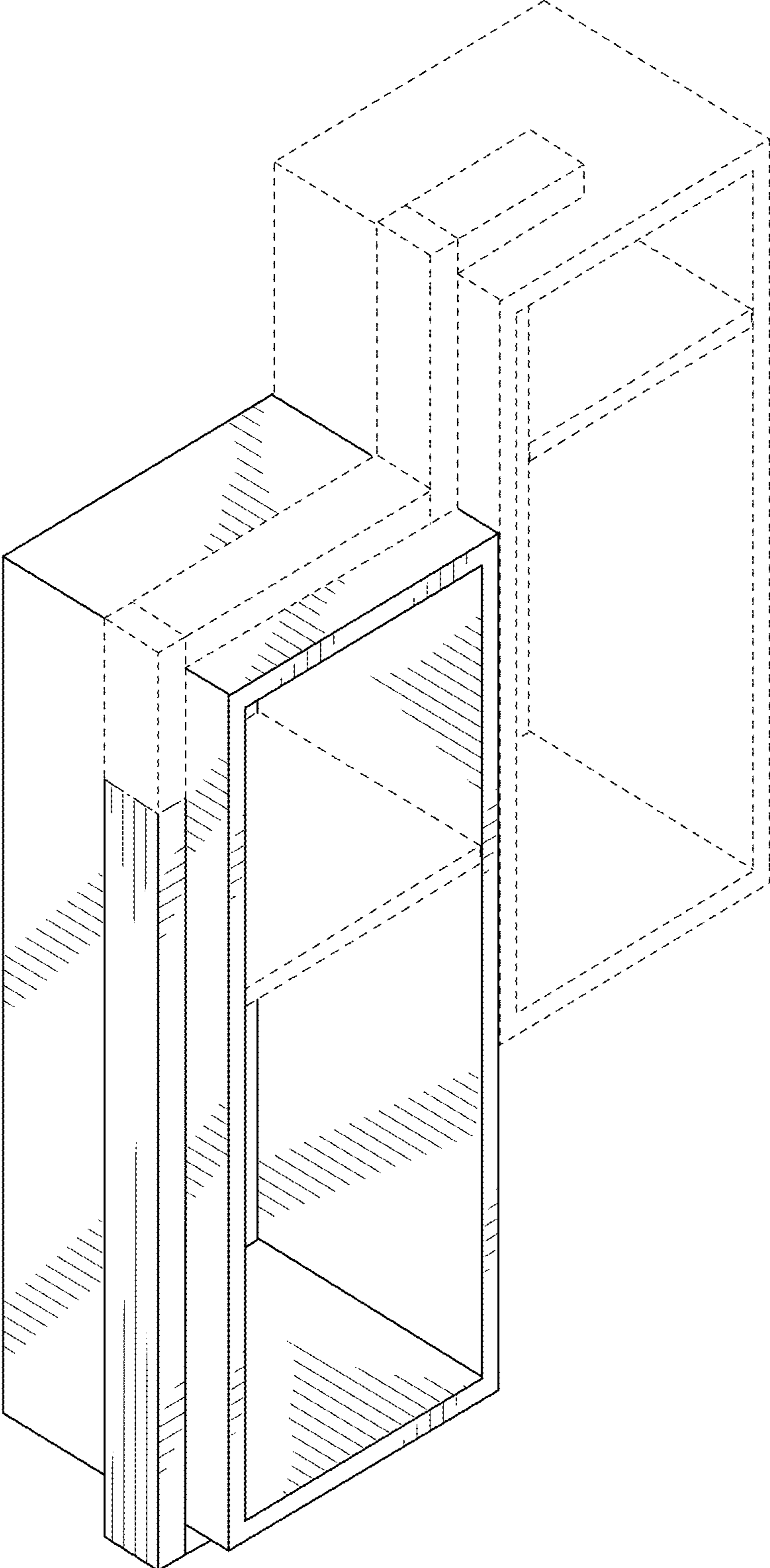


FIG. 1

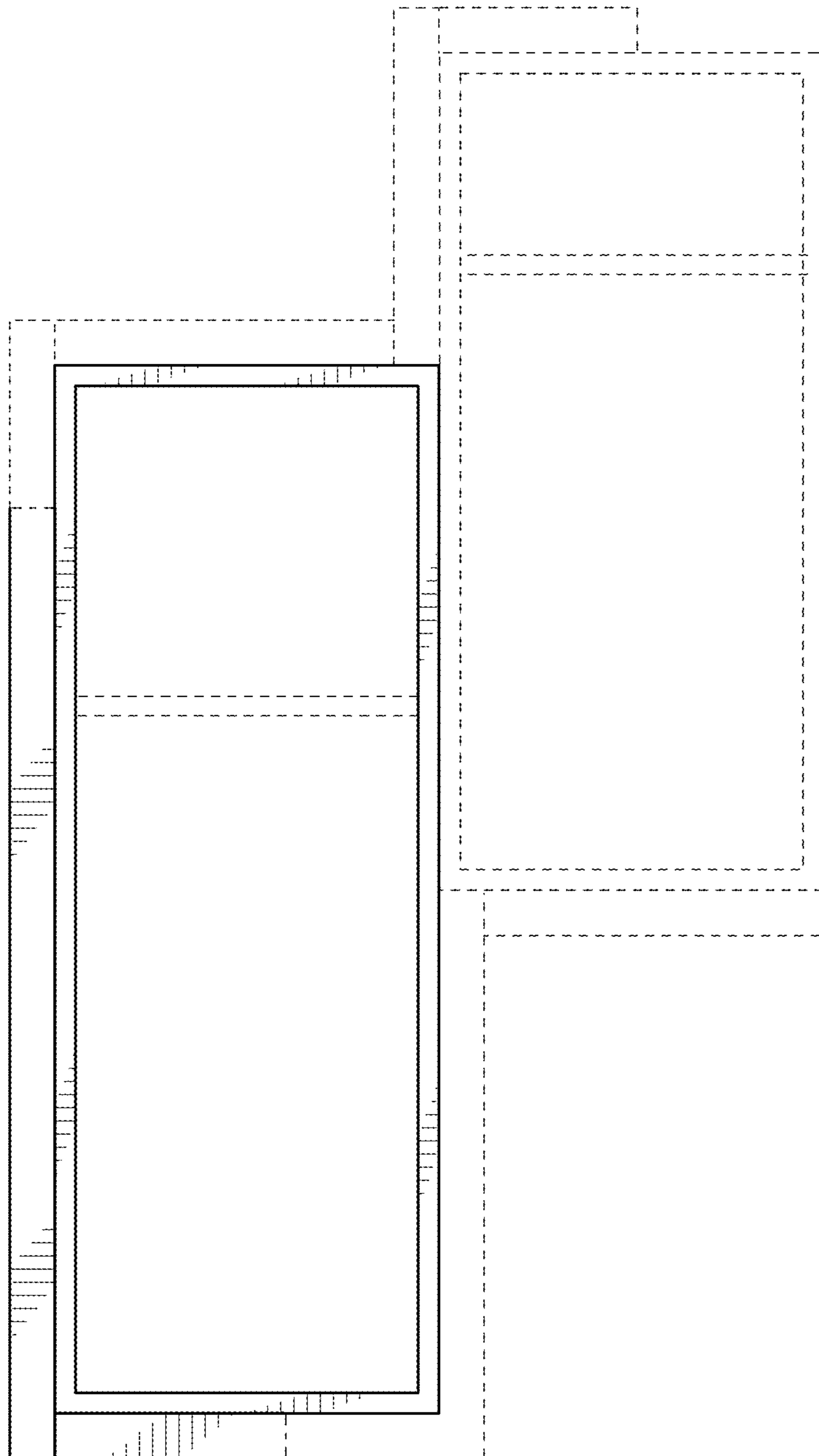


FIG. 2

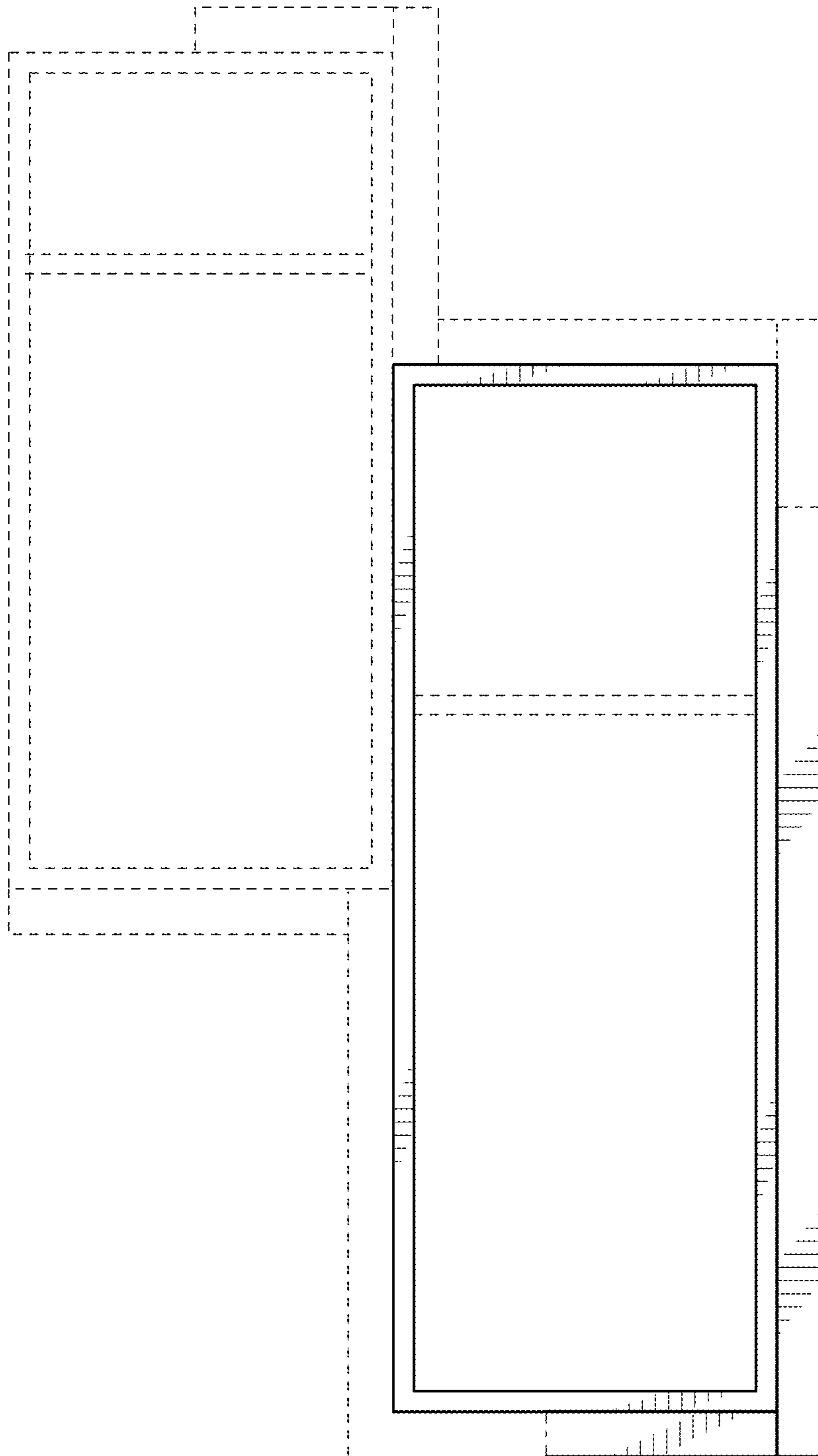


FIG. 3

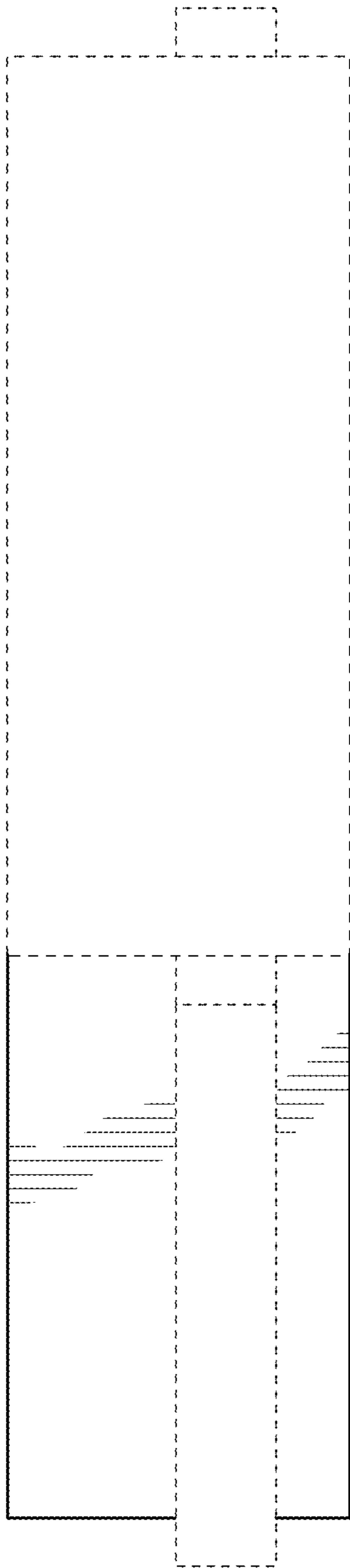


FIG. 4

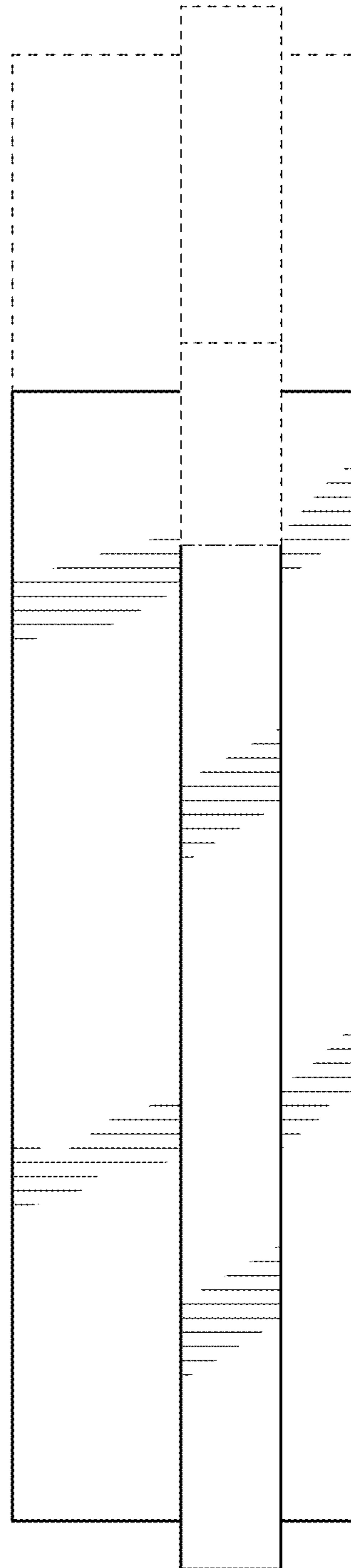


FIG. 5

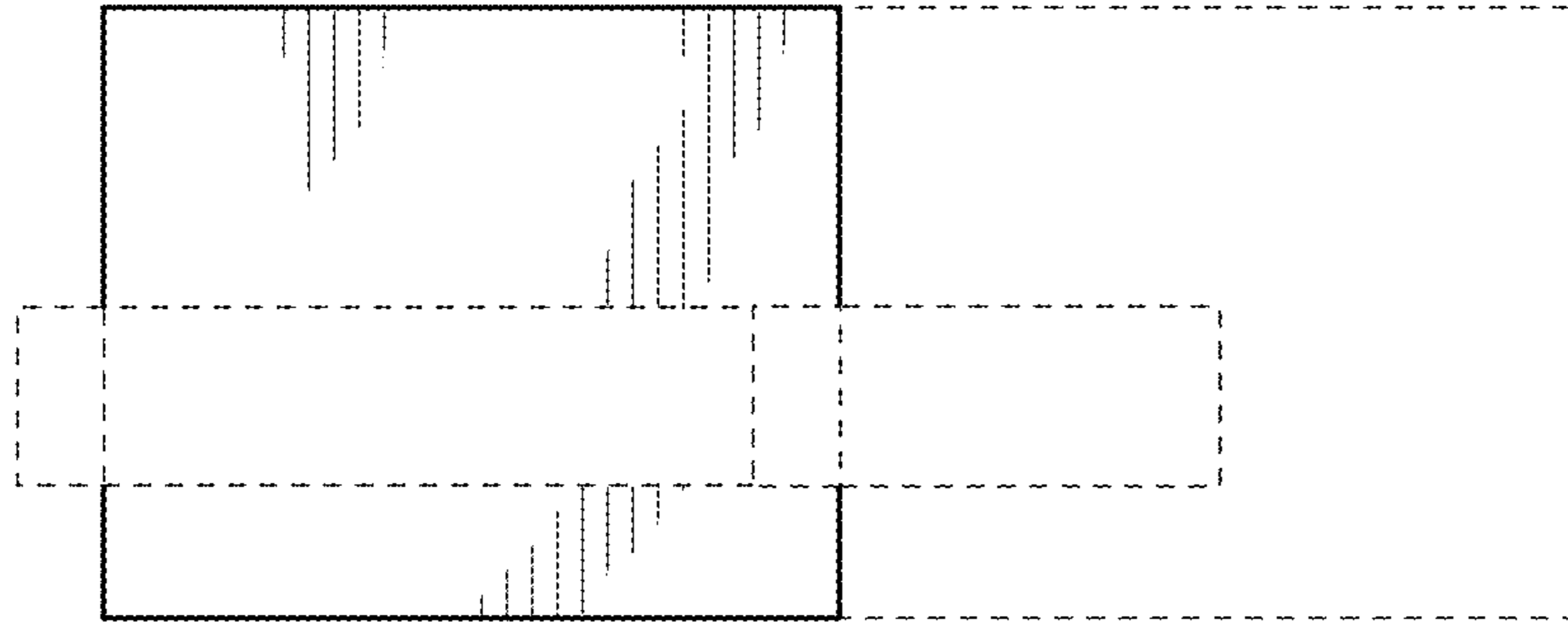


FIG. 6

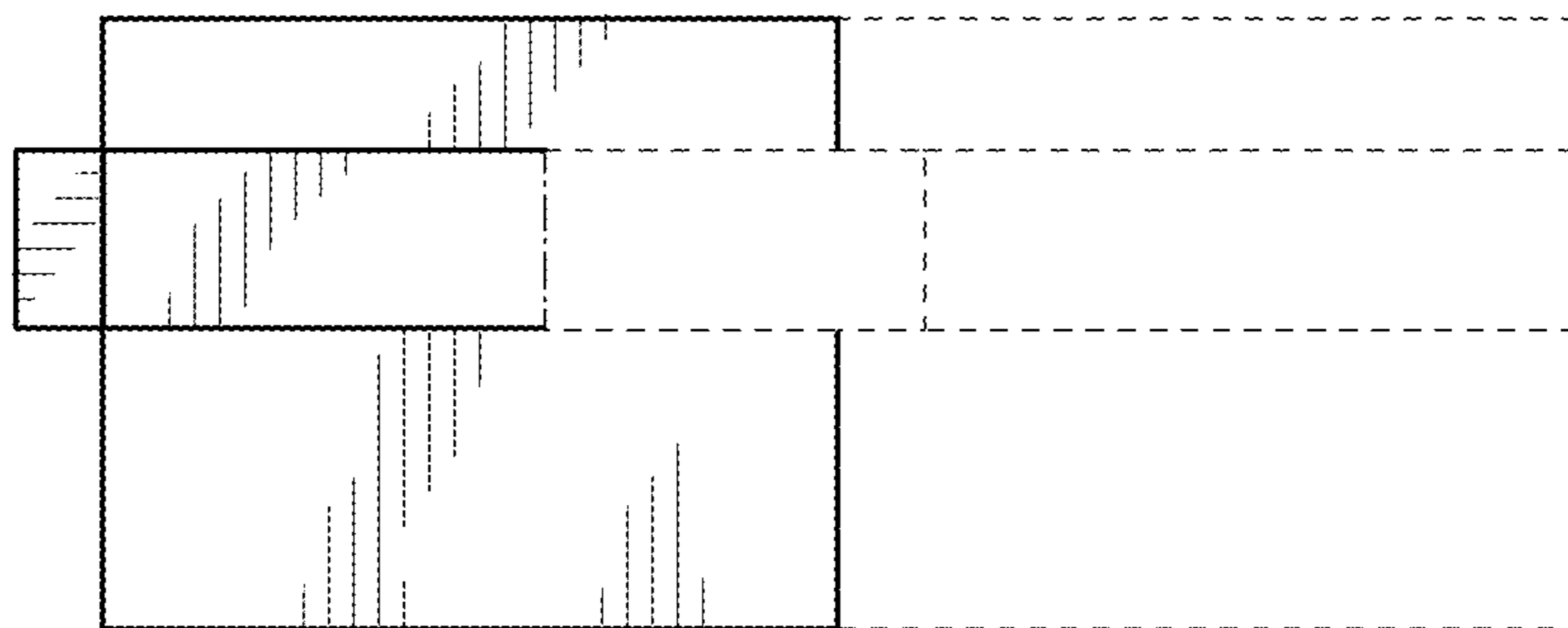


FIG. 7