

US00D934006S

(12) **United States Design Patent**
Li

(10) **Patent No.:** **US D934,006 S**

(45) **Date of Patent:** **** Oct. 26, 2021**

(54) **CABINET**

D825,230 S * 8/2018 Massaud D6/675
D825,232 S * 8/2018 Massaud D6/675.1
D904,799 S * 12/2020 Li D6/654.1

(71) Applicant: **39F USA INC**, Rancho Cucamonga,
CA (US)

(72) Inventor: **Yuehai Li**, Rancho Cucamonga, CA
(US)

(**) Term: **15 Years**

(21) Appl. No.: **29/711,777**

(22) Filed: **Nov. 2, 2019**

(51) **LOC (13) Cl.** **06-04**

(52) **U.S. Cl.**
USPC **D6/671.2**

(58) **Field of Classification Search**
USPC D6/641, 657, 663, 666, 667, 668.2, 671,
D6/671.1, 671.2, 675, 675.1
CPC A47B 81/00; A47B 97/00; A47B 47/02;
A47B 67/02; A47B 88/40; A47B 61/00;
A47B 63/00; A47B 79/00; Y10T 70/5097
See application file for complete search history.

(56) **References Cited**

U.S. PATENT DOCUMENTS

D168,443 S * 12/1952 Gershun D6/671.1
D178,056 S * 6/1956 Herrmann D6/666
D179,465 S * 12/1956 Wilson D6/671
D179,466 S * 12/1956 Wilson D6/671
D207,013 S * 2/1967 Klein D6/666
D243,908 S * 4/1977 Neff D6/675
D293,521 S * 1/1988 Handler D6/657
D337,901 S * 8/1993 van den Nieuwelaar D6/666
D363,177 S * 10/1995 Mohundro D6/667
D554,893 S * 11/2007 Boerner D6/671.2
D758,766 S * 6/2016 Kirar D6/668.2
D825,225 S * 8/2018 Massaud D6/666
D825,229 S * 8/2018 Massaud D6/675

OTHER PUBLICATIONS

“Mid Century modern Italian sideboard.” Found online Aug. 20, 2021 at www.1stdibs.com. Product manufactured 1960. Retrieved from URL: https://www.1stdibs.com/furniture/storage-case-pieces/sideboards/mid-century-modern-italian-sideboard-sliding-grooved-doors-1960s/id-f_8767203/ (Year: 1960).*

“I Call This a Trend: Highlights From Tomasella’s Stand.” Found online Aug. 20, 2021 at www.latazzinablu.com. Page dated May 20, 2019. Retrieved from URL: <https://www.latazzinablu.com/2019/05/i-call-this-trend-highlights-dallo.html> (Year: 2019).*

(Continued)

Primary Examiner — Mary Ann Calabrese
Assistant Examiner — Katelin G Kloberg
(74) *Attorney, Agent, or Firm* — Feng Qian

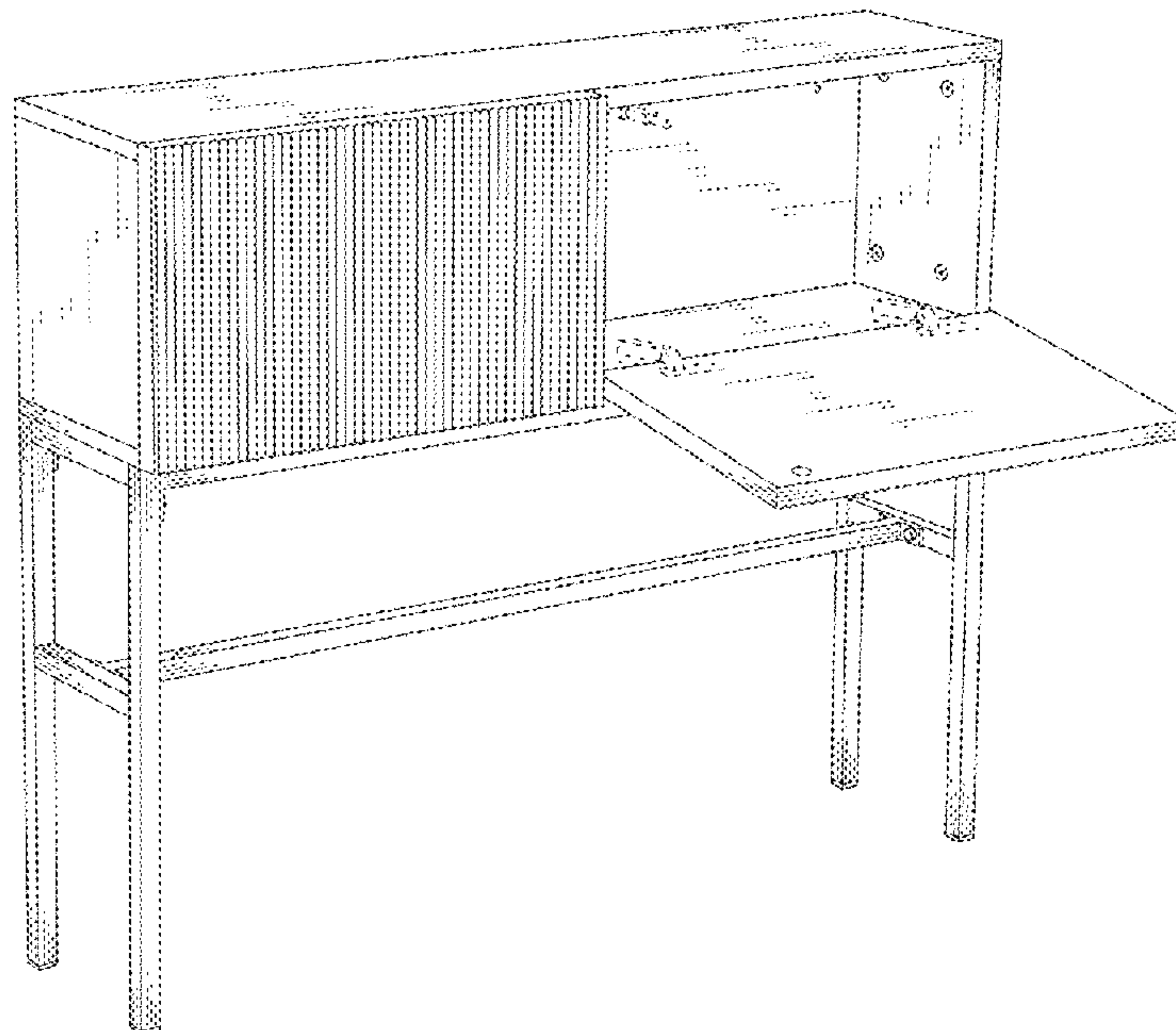
(57) **CLAIM**

The ornamental design for a cabinet, as shown and described.

DESCRIPTION

FIG. 1 is a rear perspective view of a cabinet, showing my new design;
FIG. 2 is a front perspective of a cabinet, shown in an open configuration;
FIG. 3 is a front elevation view, shown in a closed configuration;
FIG. 4 is a rear elevation view thereof;
FIG. 5 is a left side elevation view thereof;
FIG. 6 is a right side elevation view thereof;
FIG. 7 is a top plan view thereof; and,
FIG. 8 is a rear plan view thereof.

1 Claim, 8 Drawing Sheets



(56)

References Cited

OTHER PUBLICATIONS

“One Dresser, Three Styles.” Found online Aug. 20, 2021 at www.latazzinablu.com. Page dated Nov. 19, 2019. Retrieved from URL: <https://www.latazzinablu.com/2019/11/un-come-tre-styling.html> (Year: 2019).*

“Facebook—Tomasella.” Found online Aug. 20, 2021 at www.facebook.com. Post dated Dec. 8, 2019. Retrieved from URL: <https://m.facebook.com/GruppoTomasellaOfficial/photos/a.1422688747985574/2450516248536147/?type=3&source=54> (Year: 2019).*

“Sideboard Vinci Tomasella.” Found online Aug. 20, 2021 at www.3dwarehouse.com. Page dated Feb. 5, 2021. Retrieved from URL: <https://3dwarehouse.sketchup.com/model/31829278-5def-4a22-8feb-8e8ffa73903/sideboard-Vinci-Tomasella> (Year: 2020).*

* cited by examiner



Fig.1

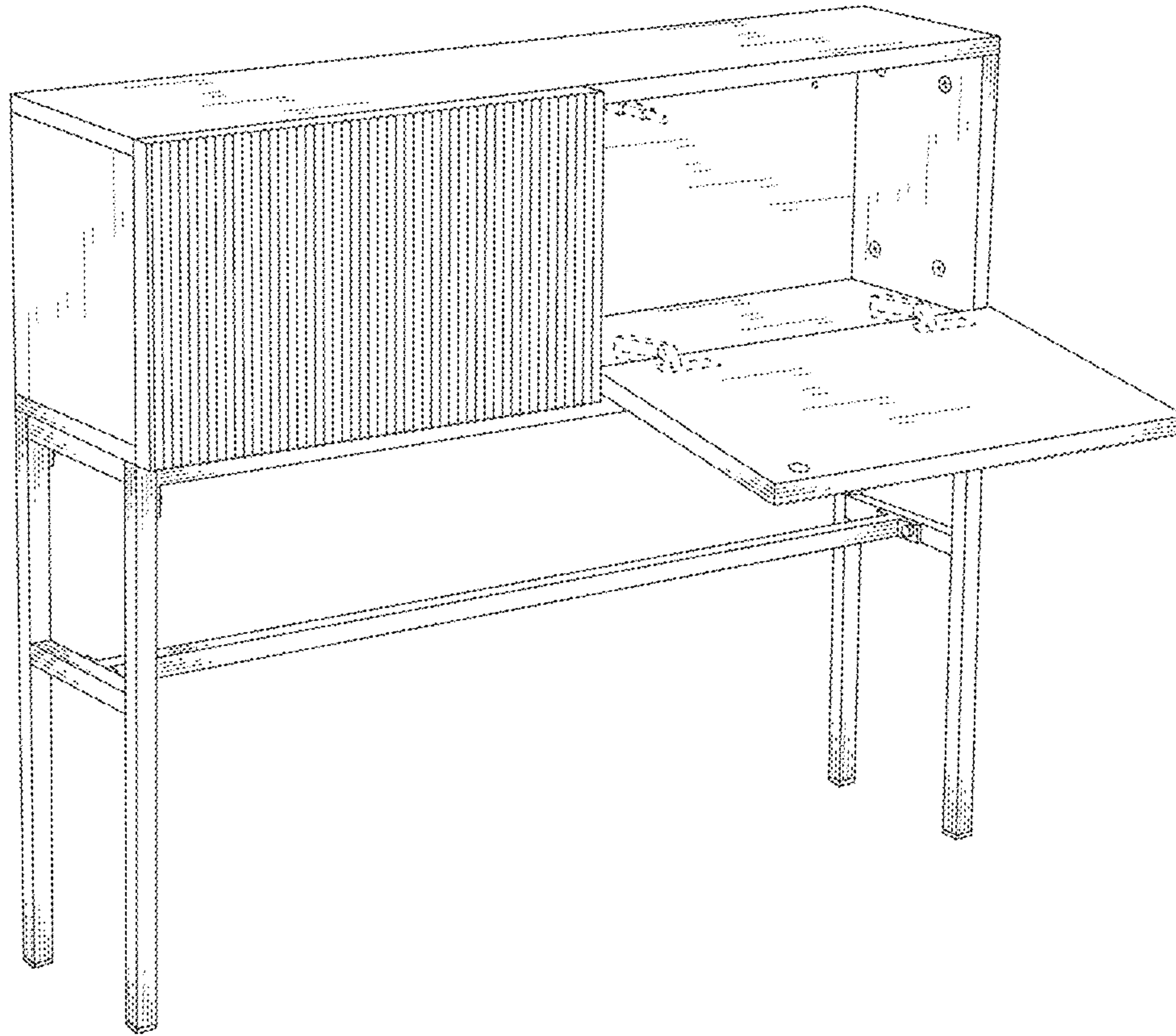


Fig.2

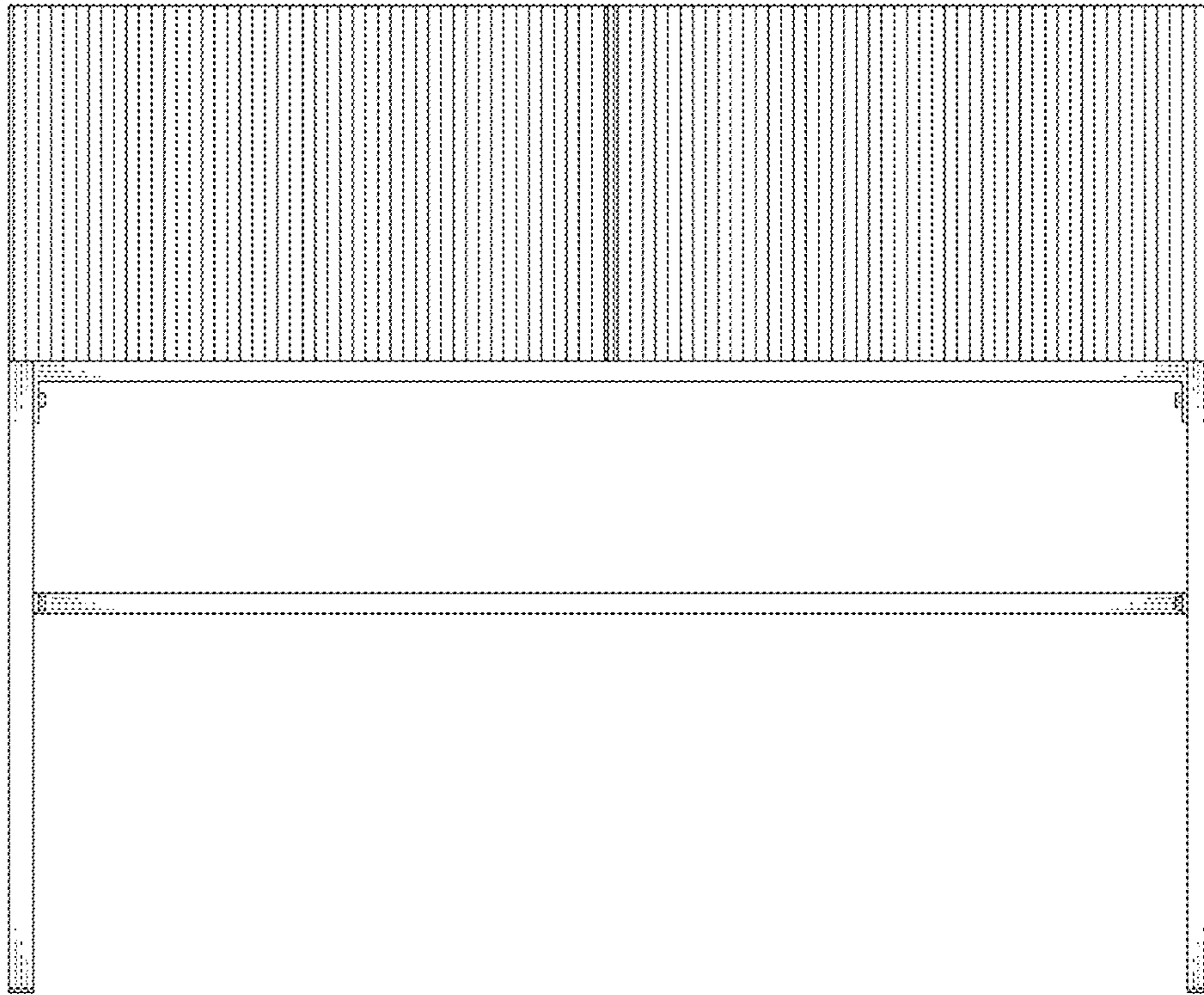


Fig.3

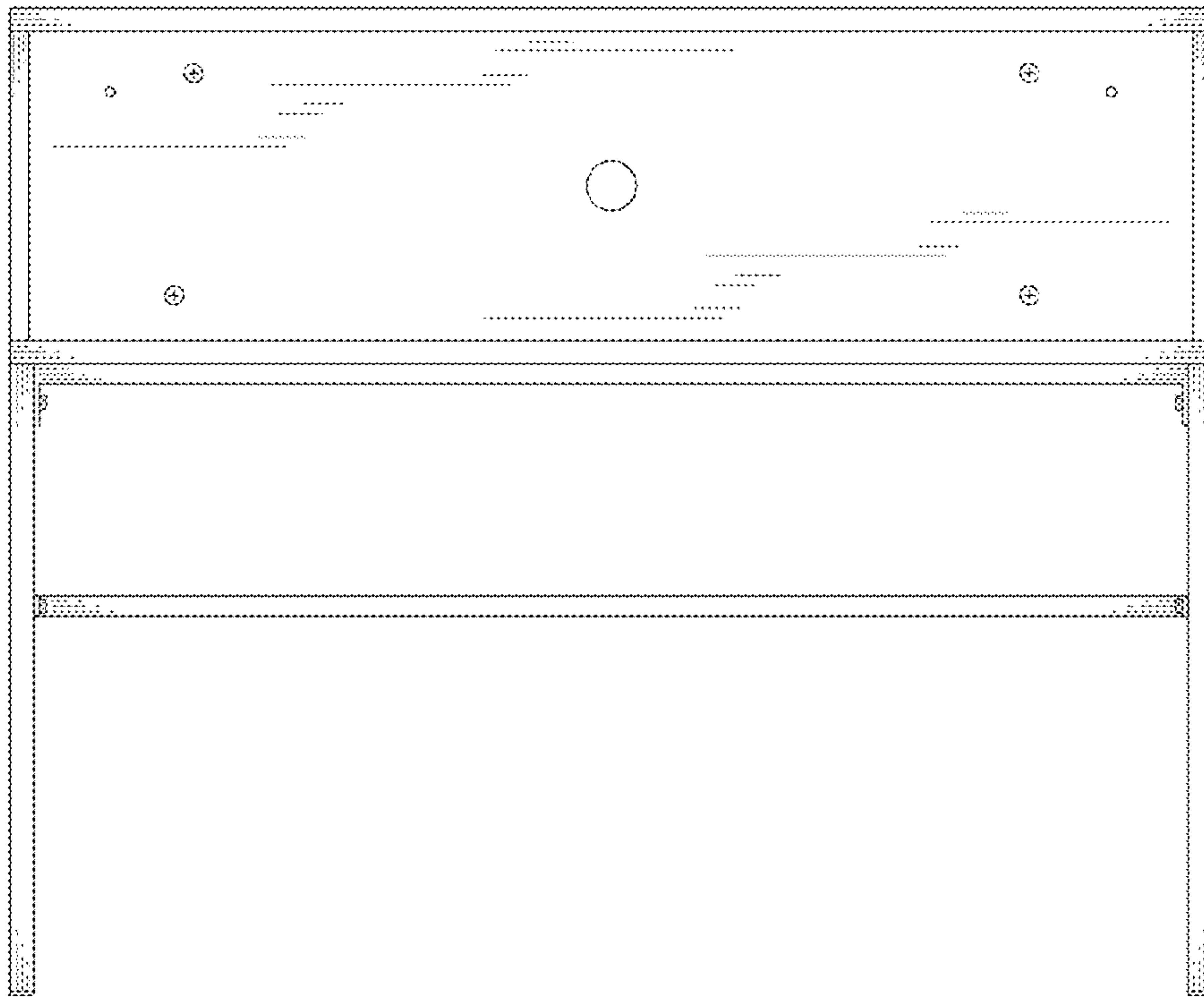


Fig.4

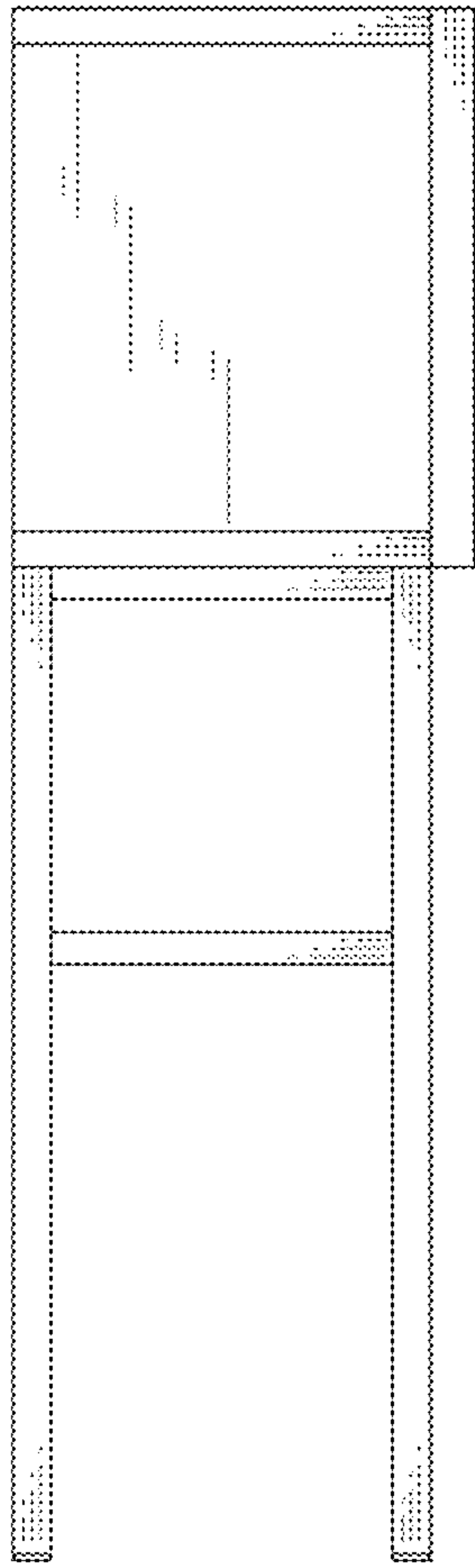


Fig.5

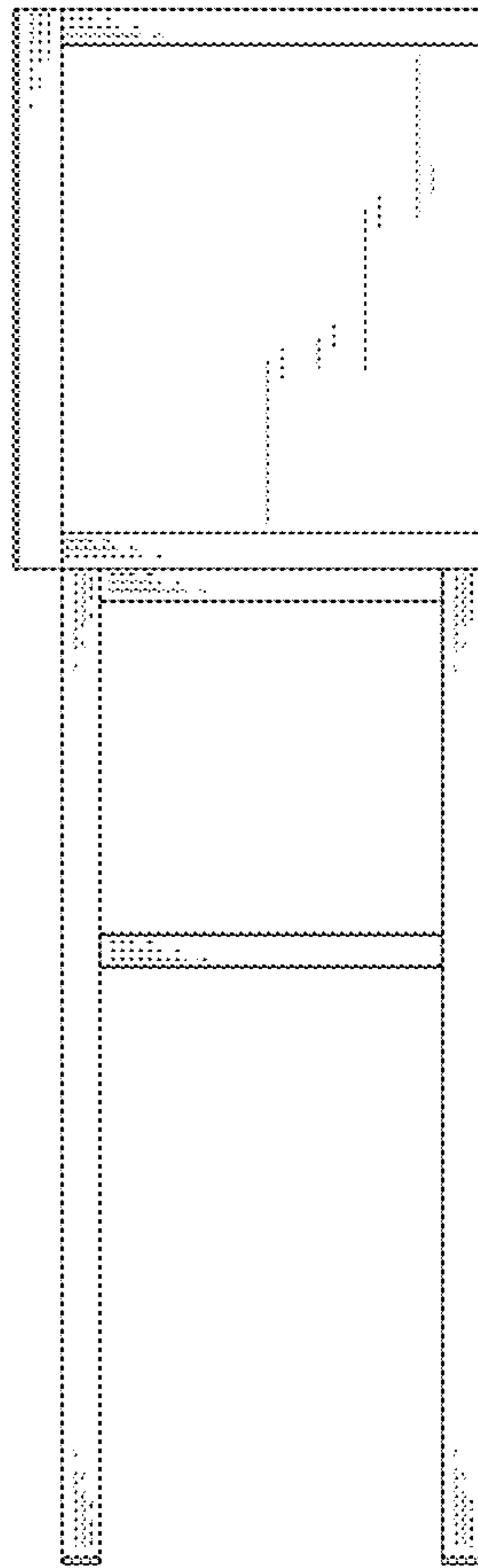


Fig.6

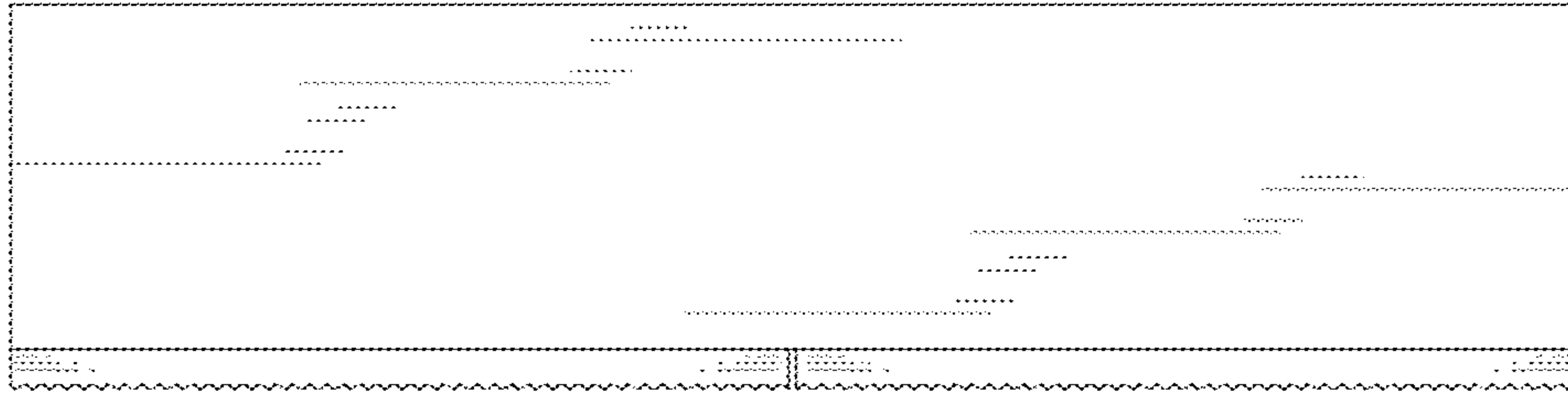


Fig.7

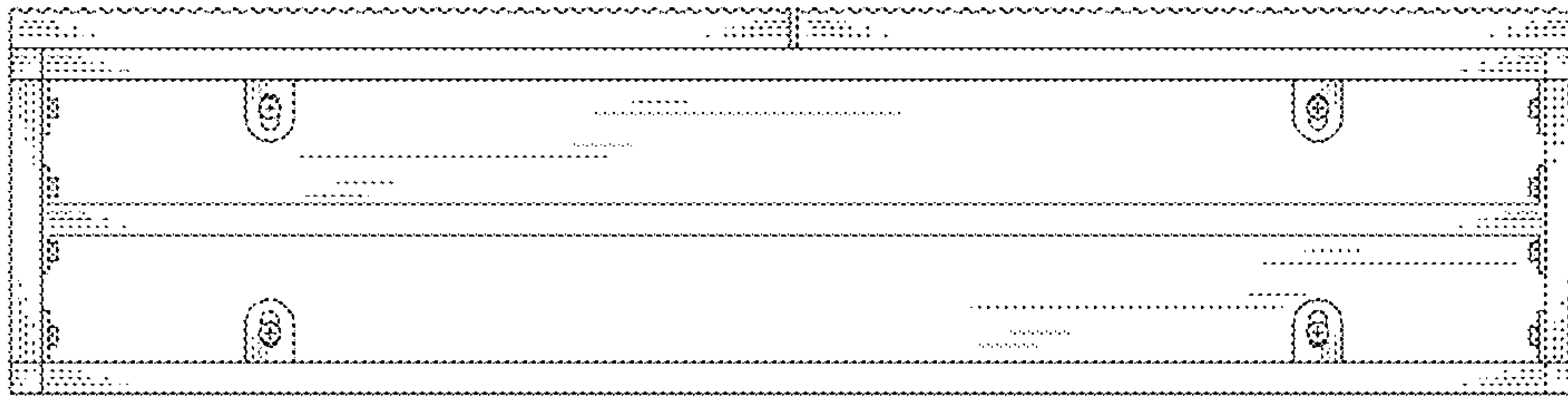


Fig.8