



US00D934005S

(12) **United States Design Patent**
Sun et al.

(10) **Patent No.:** **US D934,005 S**
(45) **Date of Patent:** **** Oct. 26, 2021**

- (54) **LIFT TABLE**
- (71) Applicant: **Hangzhou Yue Fu Si Supply Chain Management Co., Ltd, Zhejiang (CN)**
- (72) Inventors: **Lingyi Sun, Zhejiang (CN); Xinhan Wang, Zhejiang (CN)**
- (73) Assignee: **Hangzhou Yue Fu Si Supply Chain Management Co., Ltd, Zhejiang (CN)**
- (**) Term: **15 Years**
- (21) Appl. No.: **29/749,887**
- (22) Filed: **Sep. 9, 2020**
- (51) **LOC (13) Cl.** **06-03**
- (52) **U.S. Cl.**
USPC **D6/648**
- (58) **Field of Classification Search**
USPC D6/644, 648, 648.1-648.4, 684, 707.22
CPC ... A47B 9/20; A47B 21/02; A47B 2200/0056;
A47B 2200/0062; A47B 2200/0054;
A47B 2021/066; A47B 2200/0029; A47B
2200/0051; A47B 2200/0052; A47B
2200/0059; A47B 2200/006; A47B
2200/0061; A47B 9/00; A47B 13/10;
A47B 21/00; A47B 21/0314
See application file for complete search history.

- D539,568 S * 4/2007 Vander Park D6/648
- D552,875 S * 10/2007 Collins D6/336
- D812,947 S 3/2018 Tseng
- D829,023 S 9/2018 Gu
- D891,821 S * 8/2020 Li D6/648.2

OTHER PUBLICATIONS

“FEZIBO L-Shaped Electric Standing Desk.” Found online Mar. 12, 2021 at www.amazon.com. Product first available Aug. 25, 2020. Retrieved from URL: https://www.amazon.com/FEZIBO-L-Shaped-Electric-Standing-Adjustable/dp/B08GLCN84Y/ref=psdc_3733671_t3_B08B4N5JX9 (Year: 2020).*

(Continued)

Primary Examiner — Mary Ann Calabrese
Assistant Examiner — Katelin G Kloberg
(74) *Attorney, Agent, or Firm* — ScienBiziP, P.C.

(57) **CLAIM**

The ornamental design for a lift table, as shown and described.

DESCRIPTION

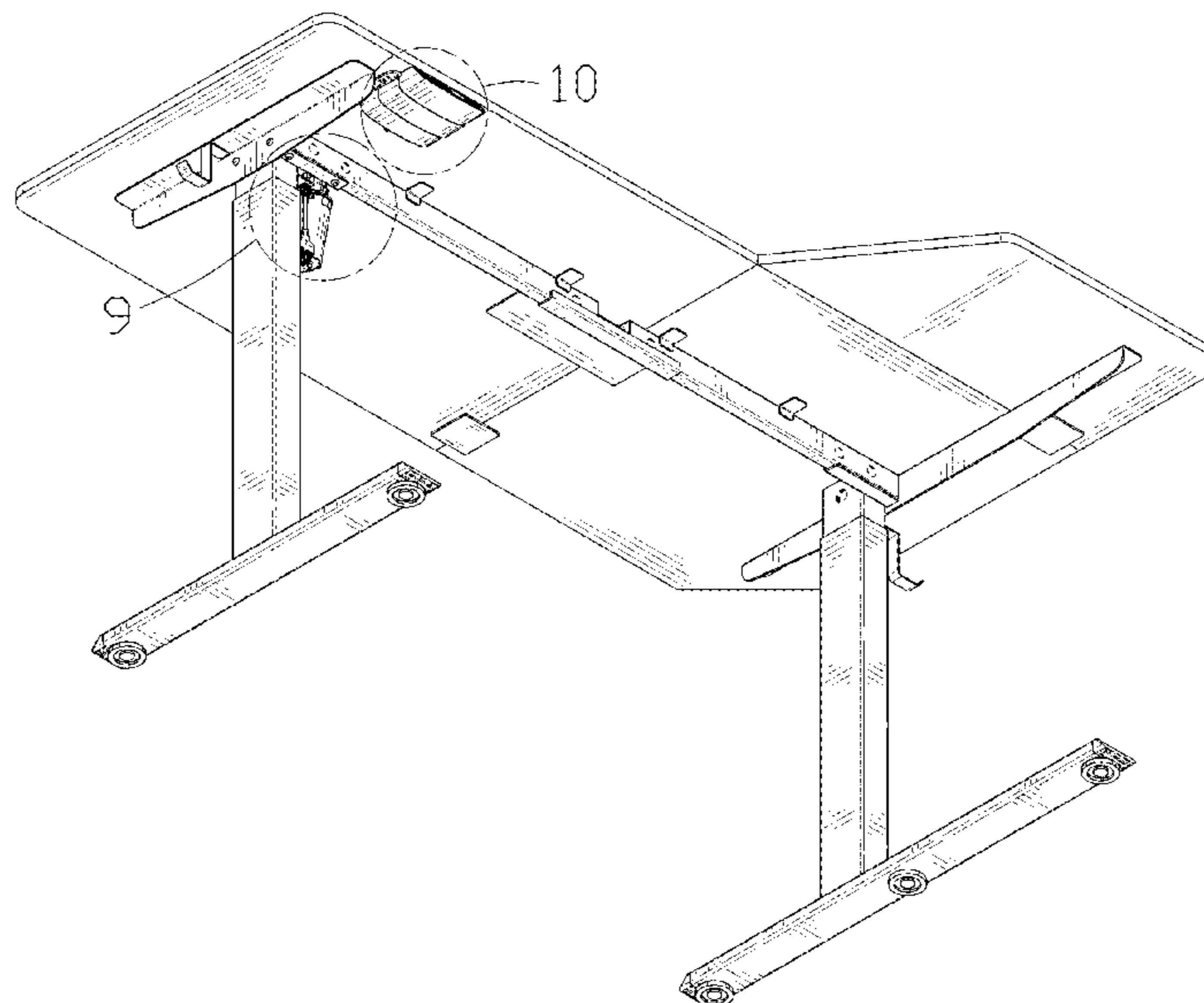
FIG. 1 is a front and bottom perspective view of a lift table, showing our design;
FIG. 2 is a rear and bottom perspective view thereof;
FIG. 3 is a front elevation view thereof;
FIG. 4 is a rear elevation view thereof;
FIG. 5 is a right side elevation view thereof;
FIG. 6 is a left side elevation view thereof;
FIG. 7 is a top plan view thereof;
FIG. 8 is a bottom plan view thereof;
FIG. 9 is an enlarged partial view of detail 9 taken from FIG. 1; and,
FIG. 10 is an enlarged partial view of detail 10 taken from FIG. 1.
The broken lines depict environmental subject matter that form no part of the claimed design.

1 Claim, 10 Drawing Sheets

(56) **References Cited**

U.S. PATENT DOCUMENTS

- D100,349 S * 7/1936 Jones D6/648
- D184,036 S * 12/1958 Carlson D6/649
- 3,931,771 A * 1/1976 Kramer A47B 41/00
108/77
- D323,260 S * 1/1992 Lewis D6/648.4
- D353,279 S * 12/1994 Funk D6/655
- D355,547 S * 2/1995 Liston D6/648.2
- D365,712 S * 1/1996 Smith D6/707.22
- D495,525 S * 9/2004 Chang D6/648.4



(56)

References Cited

OTHER PUBLICATIONS

“SHW 55-inch Large Electric Height Adjustable Desk.” Found online Mar. 12, 2021 at www.amazon.com. Product first available Sep. 9, 2019. Retrieved from URL: https://www.amazon.com/SHW-Electric-Adjustable-Computer-L-Shaped/dp/B07XPG1X5T/ref=psdc_3733671_t2_B08GLCN84Y (Year: 2019).*

“AuAg Electric Standing Desk.” Found online Mar. 12, 2021 at www.amazon.com. Product first available Dec. 15, 2020. Retrieved from URL: <https://tinyurl.com/mxwd87n4> (Year: 2020).*

“Eureka Ergonomic Standing Desk.” Found online Mar. 12, 2021 at www.amazon.com. Product first available Oct. 28, 2020. Retrieved from URL: https://www.amazon.com/Ergonomic-Standing-Electric-Adjustable-Workstation/dp/B08M15LH56/ref=psdc_3733671_t4_B08WK21ZW1?th=1 (Year: 2020).*

* cited by examiner

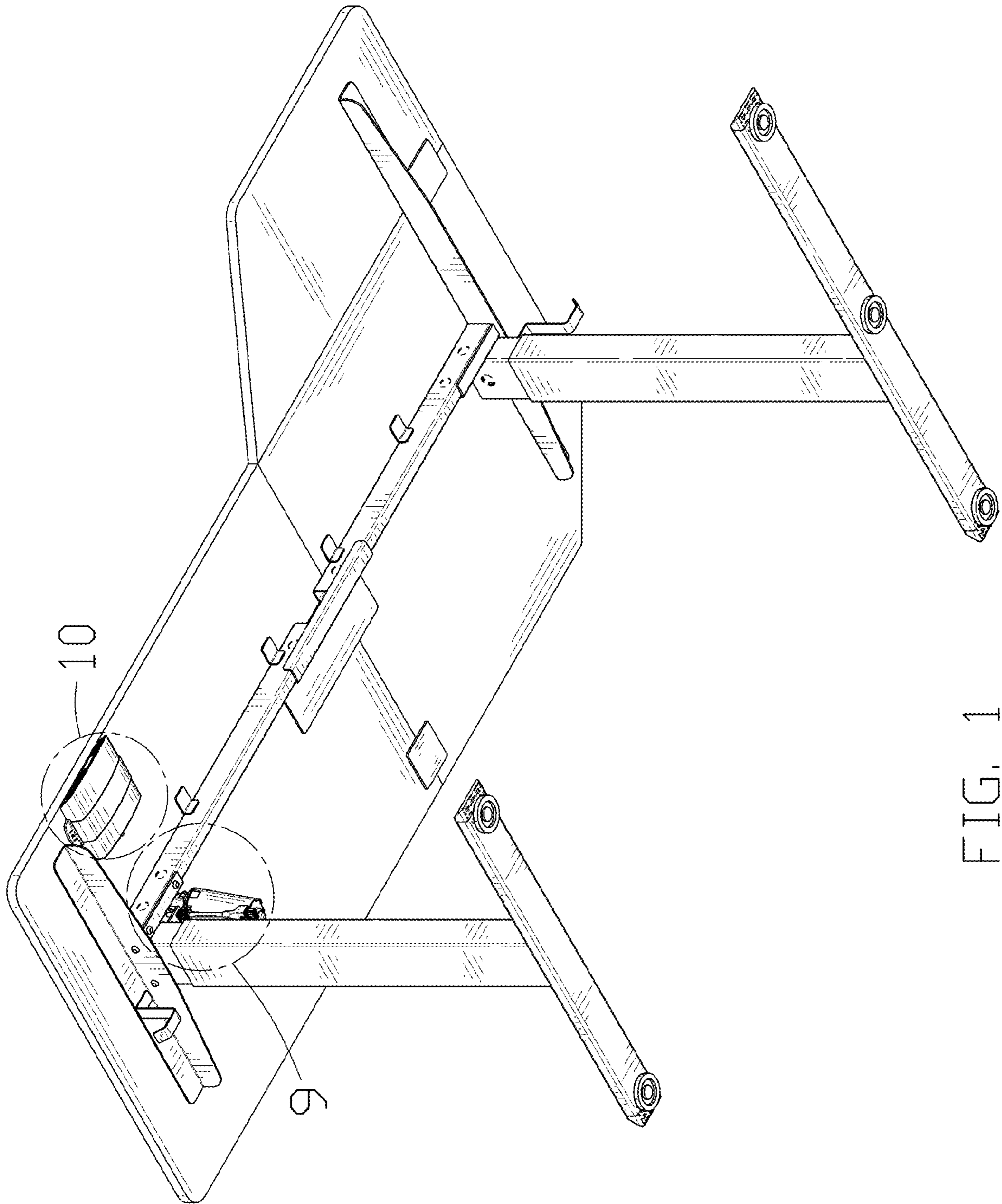


FIG. 1

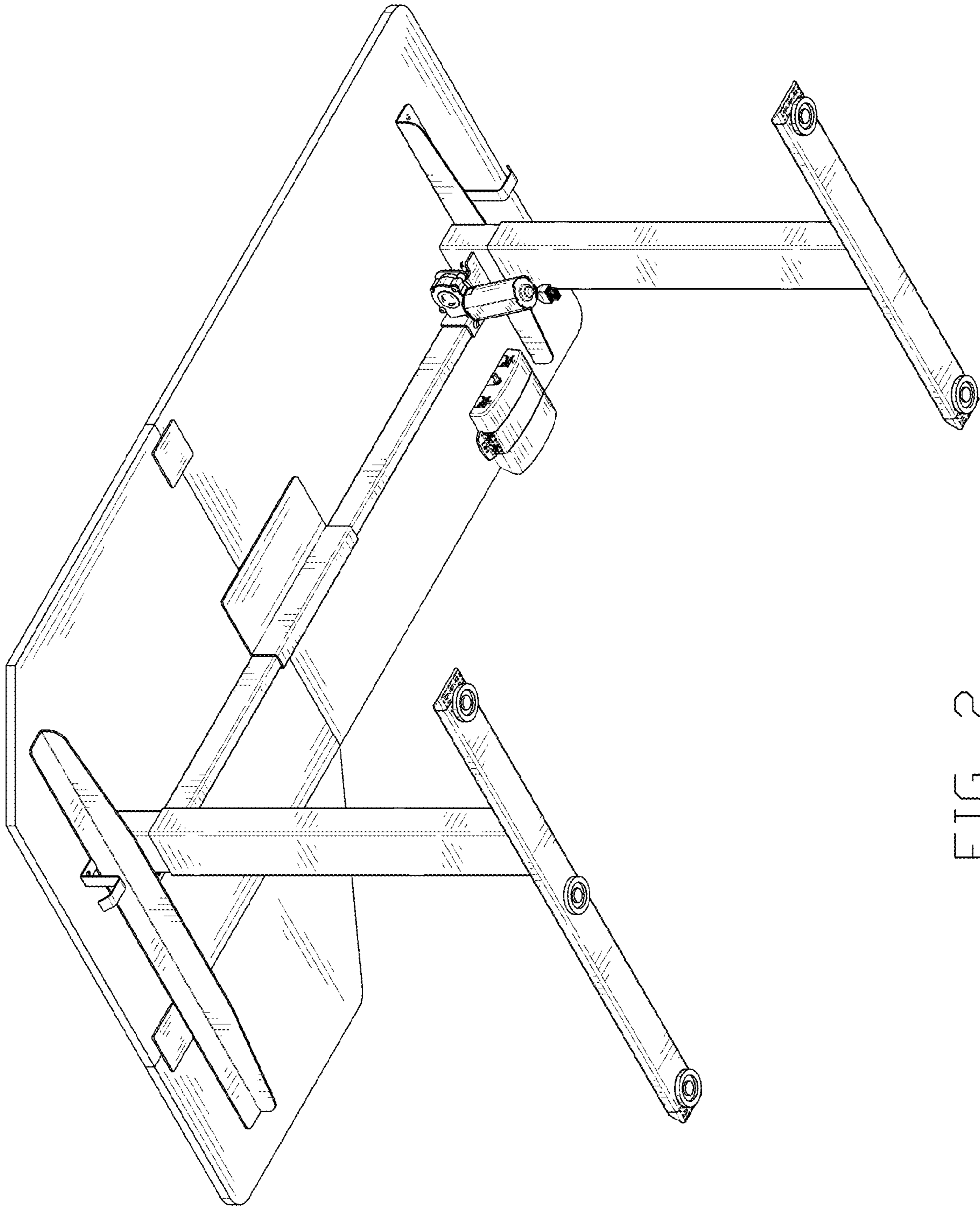


FIG. 2

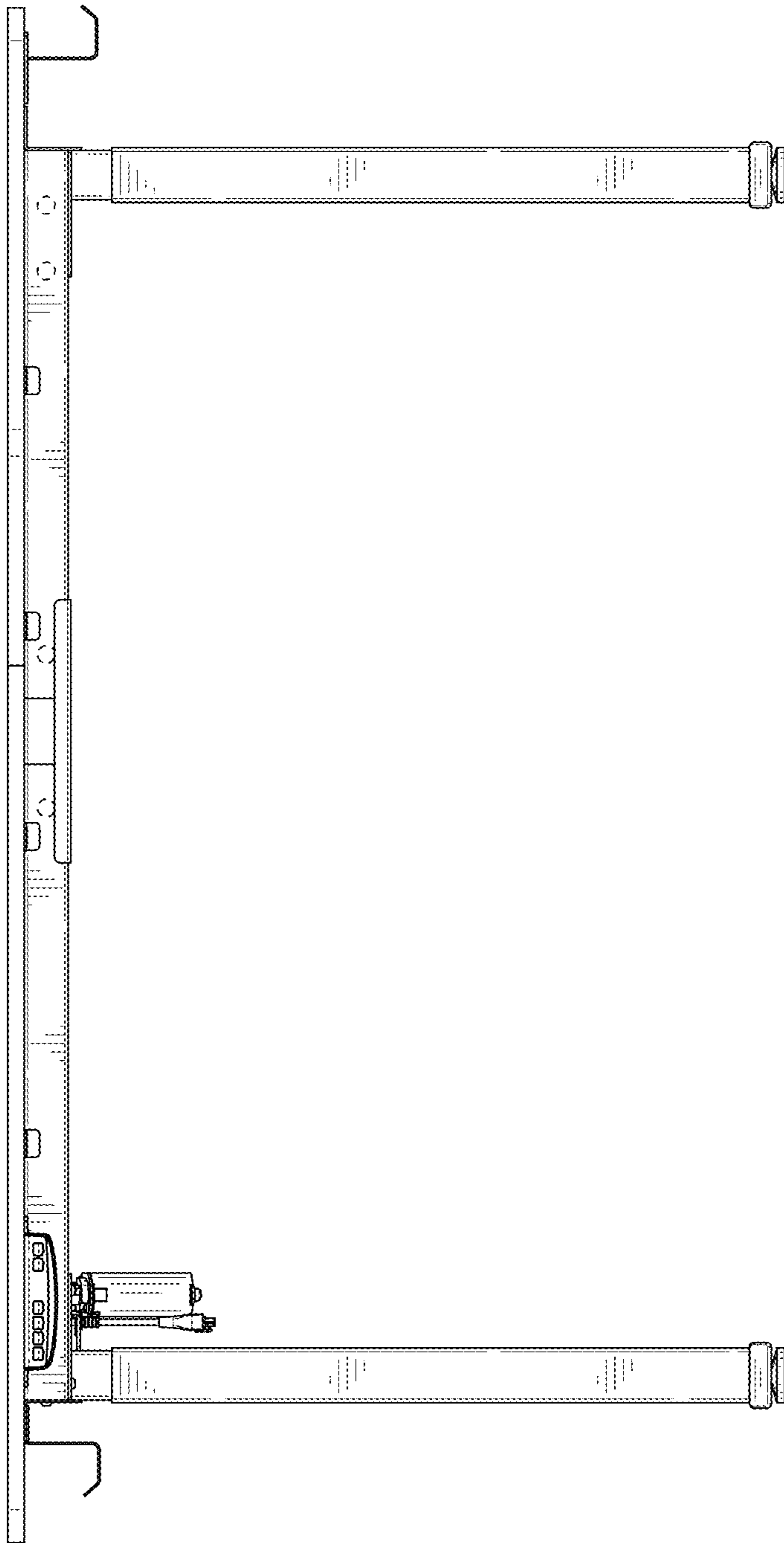


FIG. 3

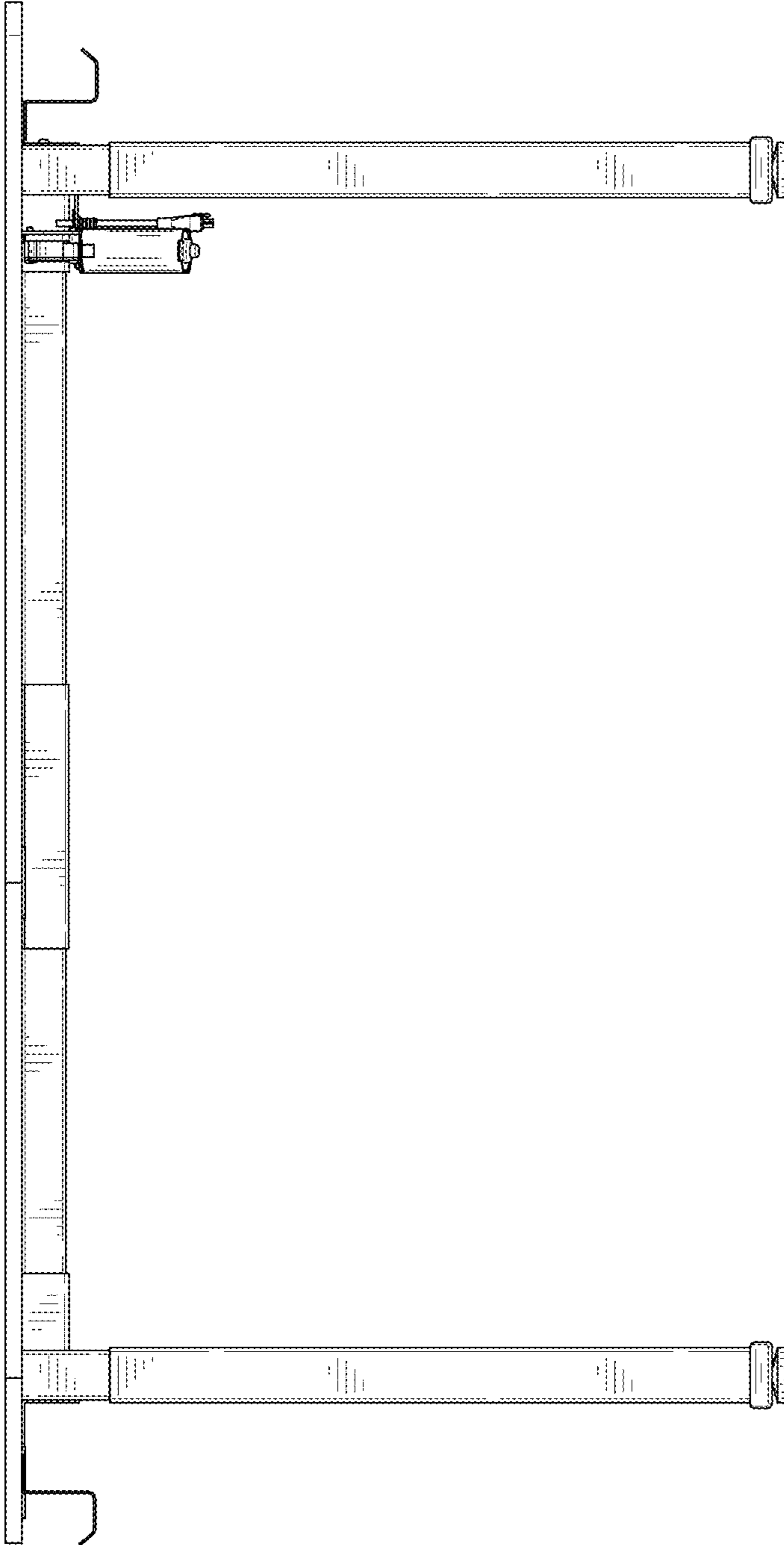


FIG. 4

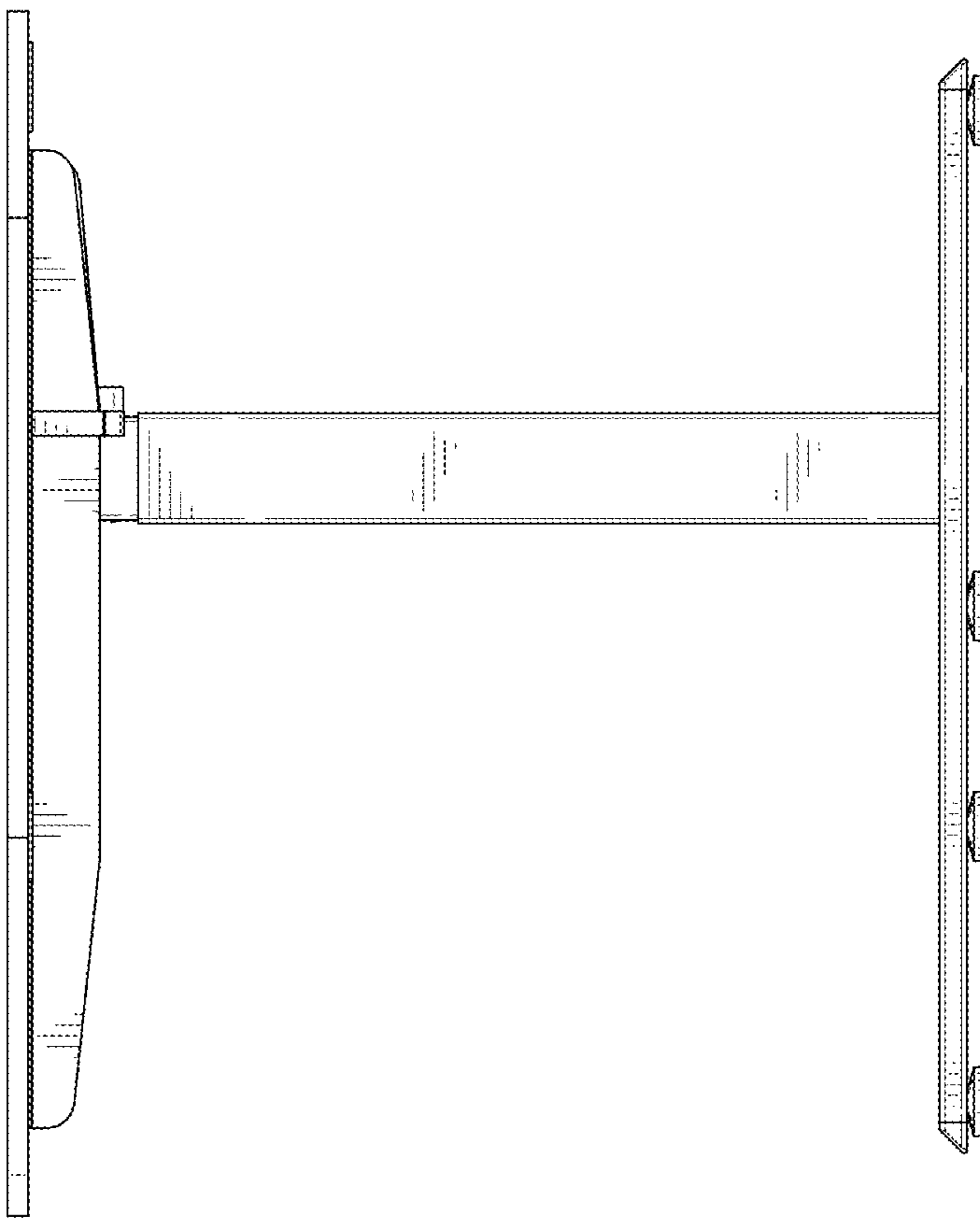


FIG. 5

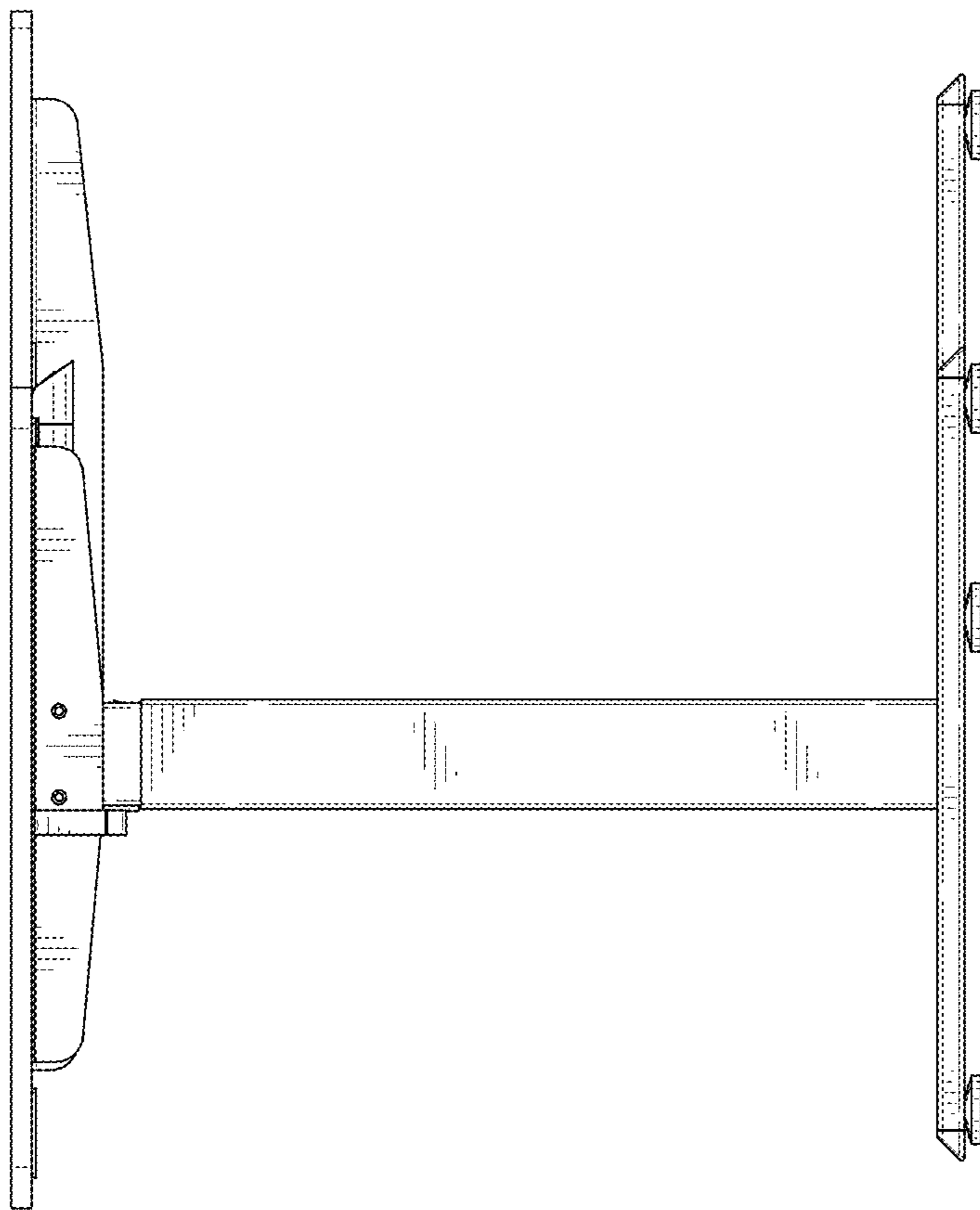


FIG. 6

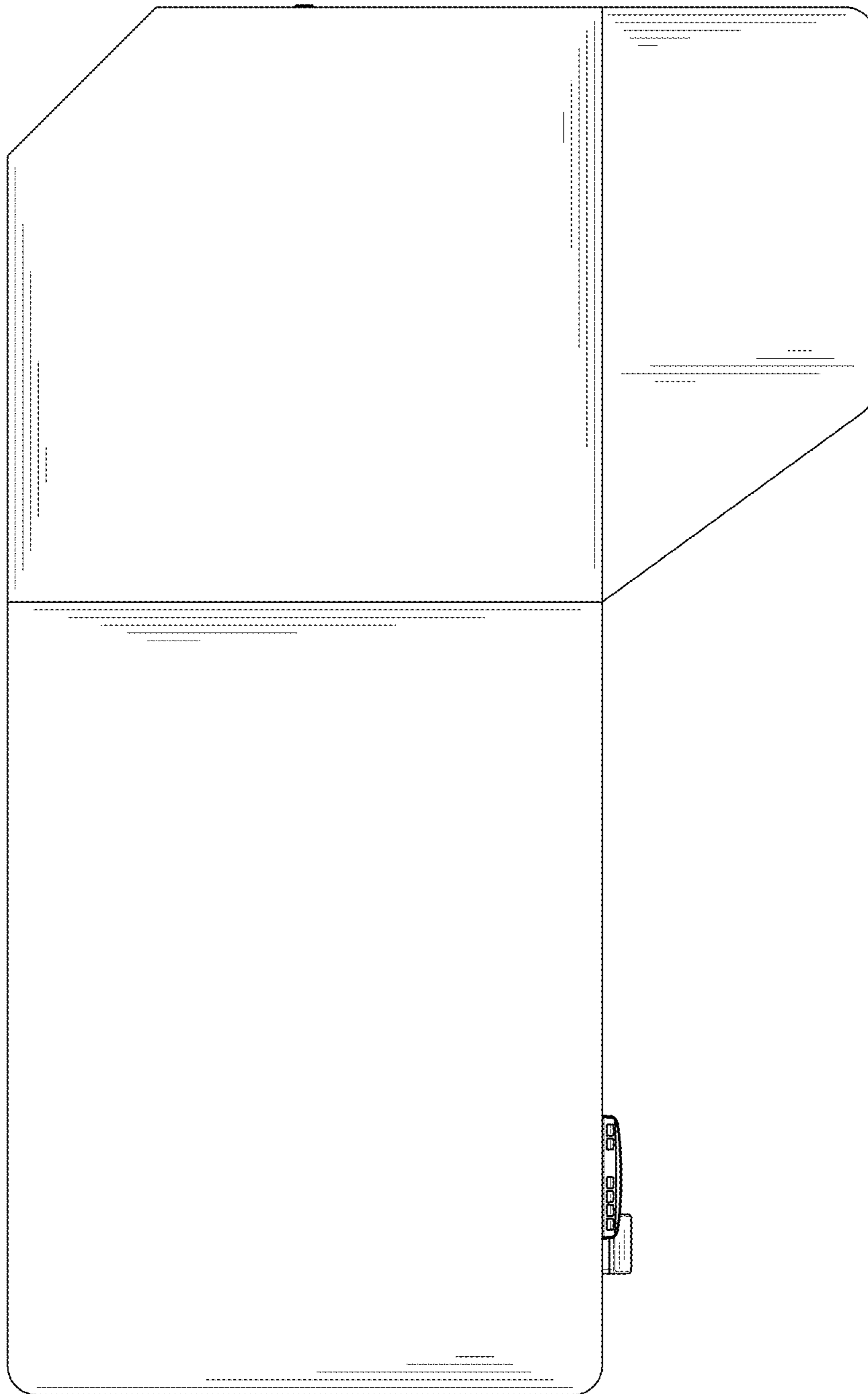


FIG. 7

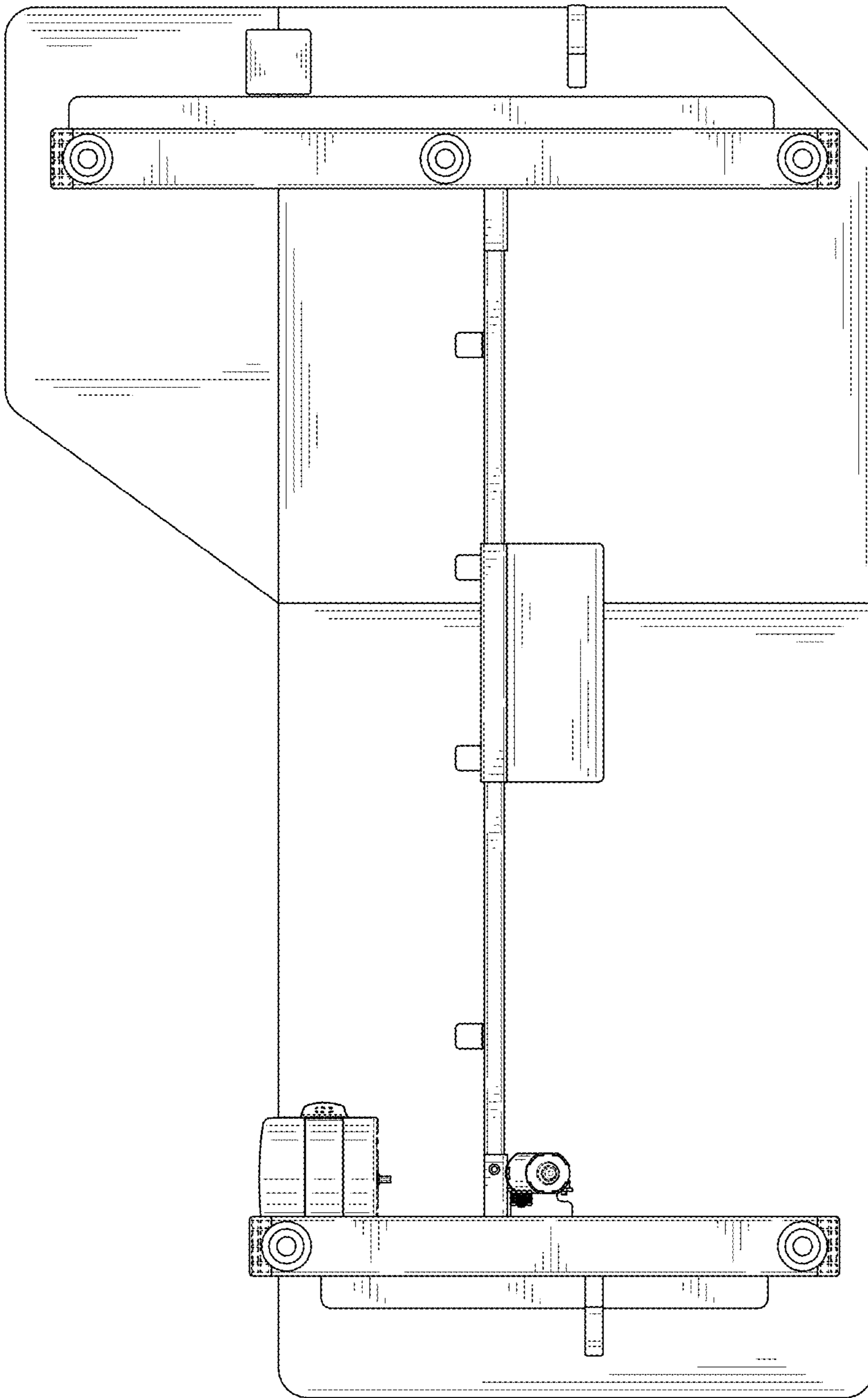


FIG. 8

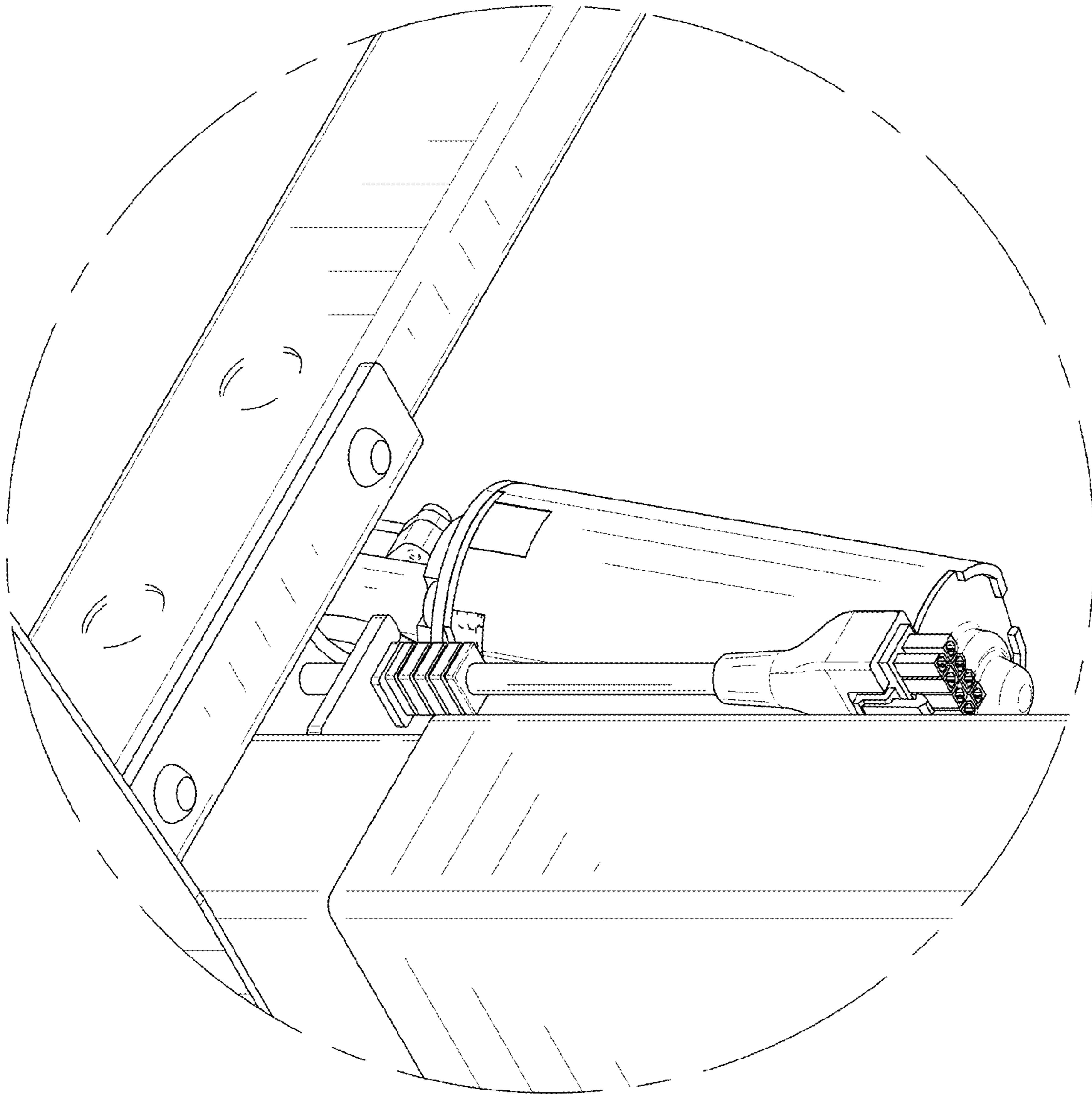


FIG. 9

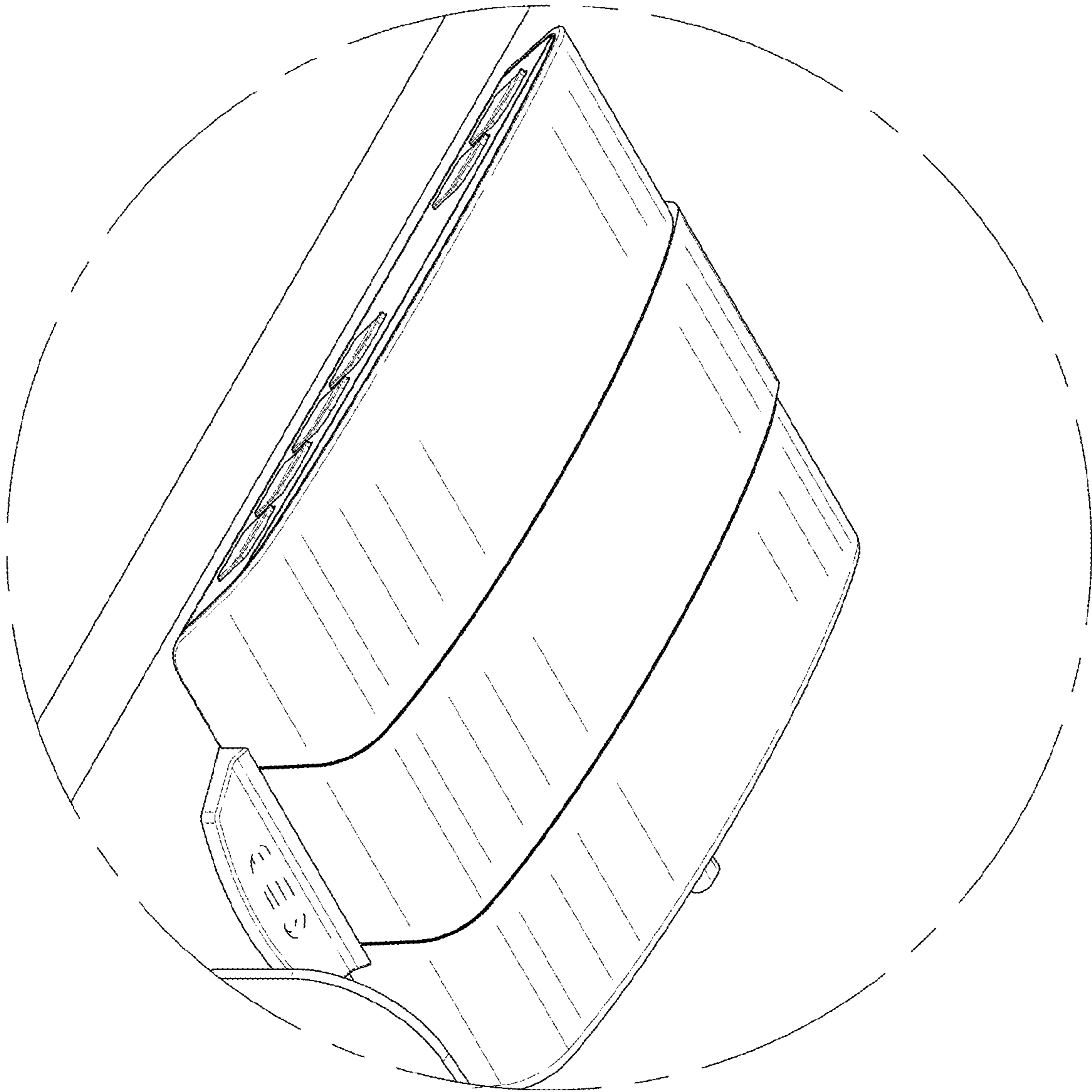


FIG. 10