



US00D934003S

(12) **United States Design Patent**
Zhou

(10) **Patent No.:** **US D934,003 S**
(45) **Date of Patent:** **** Oct. 26, 2021**

(54) **CAR PILLOW**
(71) Applicant: **SHEN ZHEN STAND BY ME TECHNOLOGY LIMITED**, Shenzhen (CN)
(72) Inventor: **Zhiping Zhou**, Huizhou (CN)
(73) Assignee: **SHEN ZHEN STAND BY ME TECHNOLOGY LIMITED**, Shenzhen (CN)

(**) Term: **15 Years**

(21) Appl. No.: **29/698,889**

(22) Filed: **Jul. 21, 2019**

(30) **Foreign Application Priority Data**

Apr. 24, 2019 (CN) 201930192821.3

(51) **LOC (13) Cl.** **06-09**

(52) **U.S. Cl.**
USPC **D6/601**

(58) **Field of Classification Search**
USPC D6/601, 655, 716.1, 716.2, 716.3, 716.4, D6/716.5, 716.6, 716.7; D24/189, 184, D24/188, 190; D12/415, 416, 417, 418, D12/419
CPC B60N 2/885; B60N 2/844; B60N 2/882; B60N 2/874; A47C 7/383; H04R 5/023; A42B 3/166
See application file for complete search history.

(56) **References Cited**

U.S. PATENT DOCUMENTS

2,474,386 A * 6/1949 Volkmann A42B 3/166 381/378
4,991,222 A * 2/1991 Nixdorf H04R 5/023 297/391
6,123,389 A * 9/2000 O'Connor A47C 7/383 297/397
D436,271 S * 1/2001 Corti D6/716.5

8,888,187 B2 * 11/2014 Albino B60N 2/885 297/397
9,855,874 B2 * 1/2018 Sanchez B60N 2/882
10,118,526 B1 * 11/2018 Fan B60N 2/874
D899,817 S * 10/2020 Zhou D6/601
2012/0007405 A1 * 1/2012 Kim B60N 2/882 297/397
2015/0145307 A1 * 5/2015 Arriola B60N 2/844 297/397
2018/0370398 A1 * 12/2018 Chiang B60N 2/885

* cited by examiner

Primary Examiner — Susan E Krakower

Assistant Examiner — Jerry Shiu-an-Hua Hsu

(74) *Attorney, Agent, or Firm* — ScienBiziP, P.C.

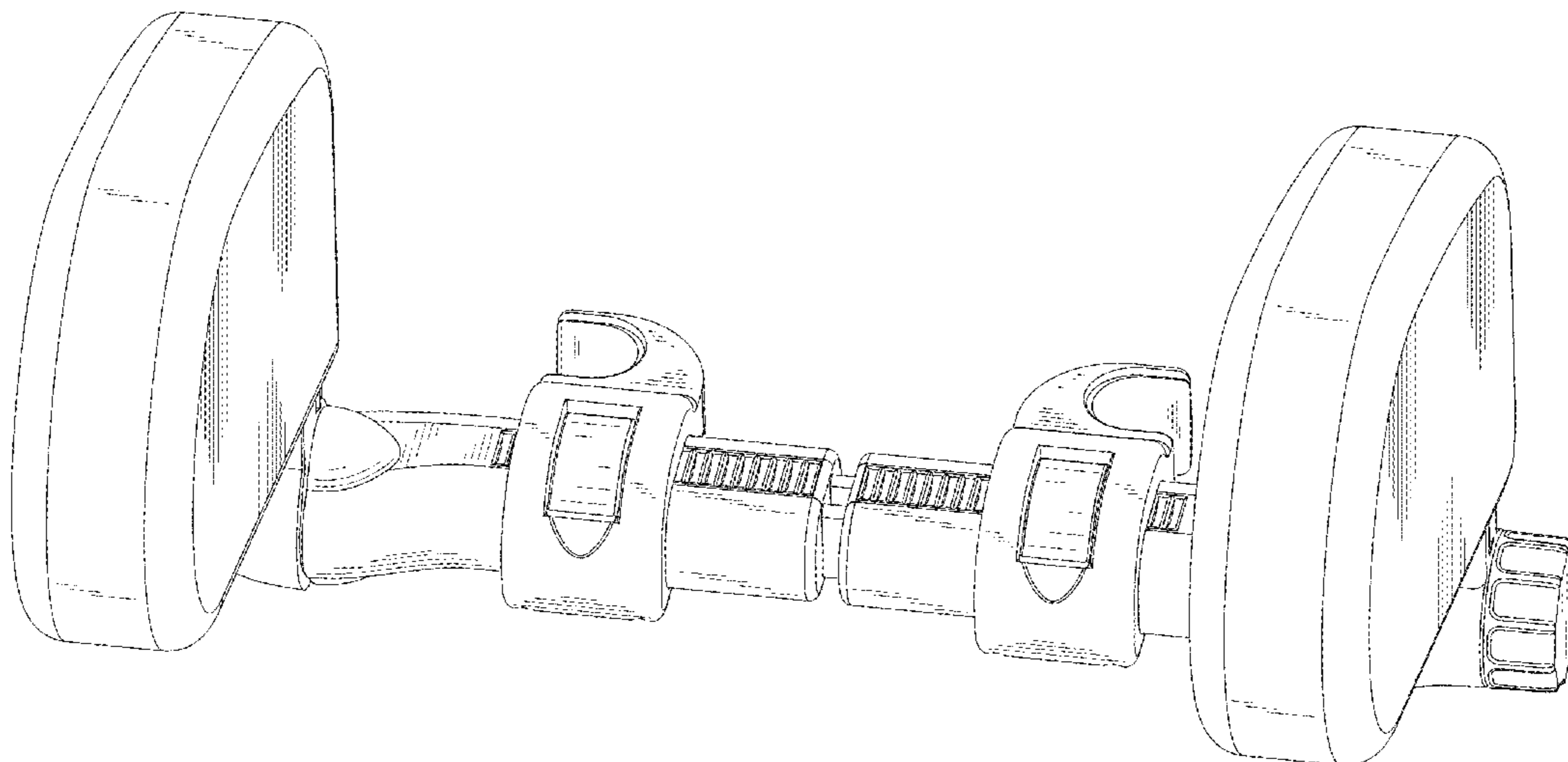
(57) **CLAIM**

The ornamental design for a car pillow, as shown and described.

DESCRIPTION

FIG. 1 is a perspective view of a car pillow, showing my new design according to a first embodiment;
FIG. 2 is a front view thereof;
FIG. 3 is a rear view thereof;
FIG. 4 is a left side view thereof;
FIG. 5 is a right side view thereof;
FIG. 6 is a top plan view thereof; and
FIG. 7 is a bottom plan view thereof.
FIG. 8 is a perspective view of a car pillow, showing my new design according to a second embodiment;
FIG. 9 is a front view thereof;
FIG. 10 is a rear view thereof;
FIG. 11 is a left side view thereof;
FIG. 12 is a right side view thereof;
FIG. 13 is a top plan view thereof; and,
FIG. 14 is a bottom plan view thereof.
The broken lines illustrate portions of the car pillow that form no part of the claimed design.

1 Claim, 14 Drawing Sheets



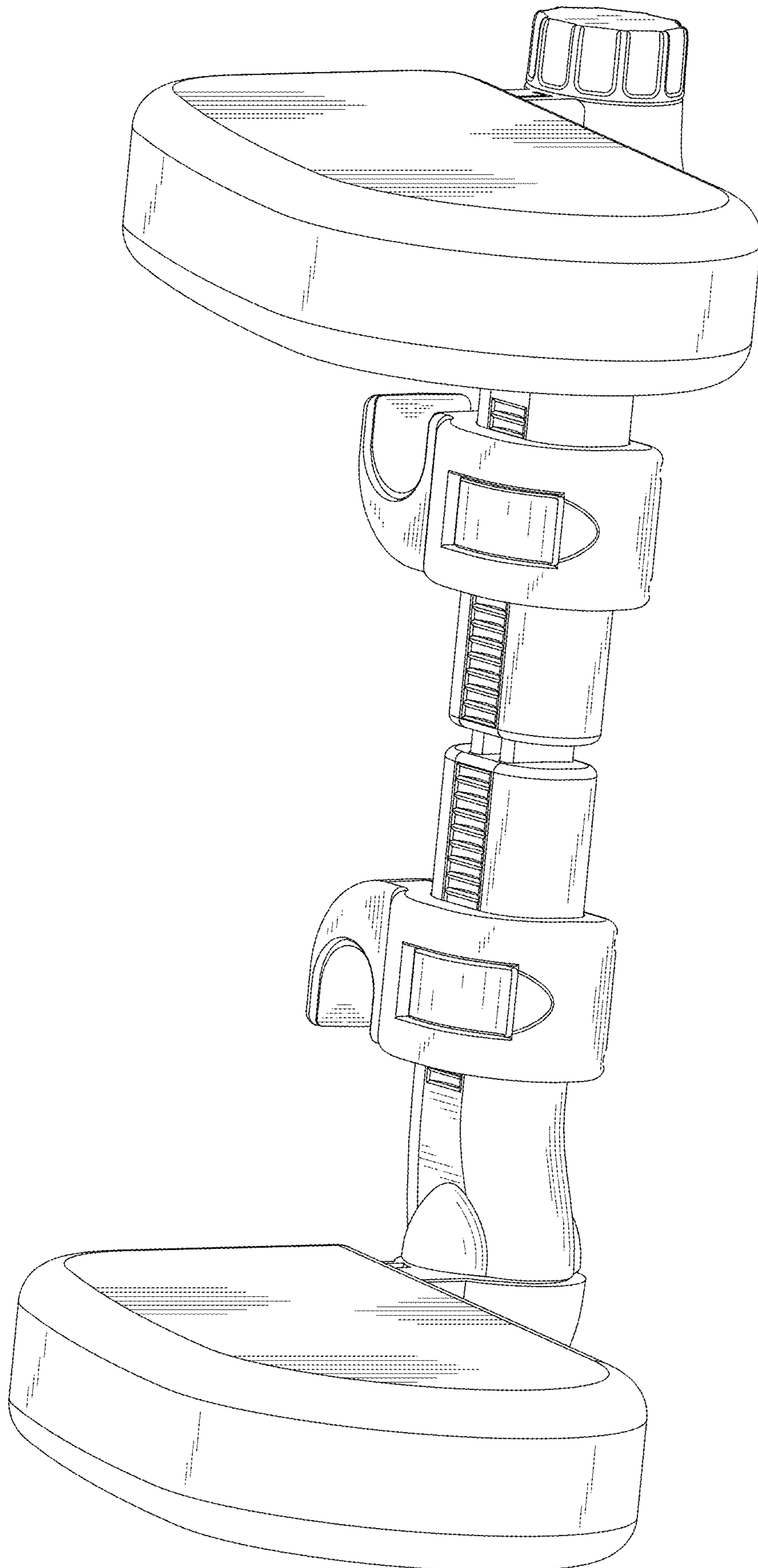


FIG. 1

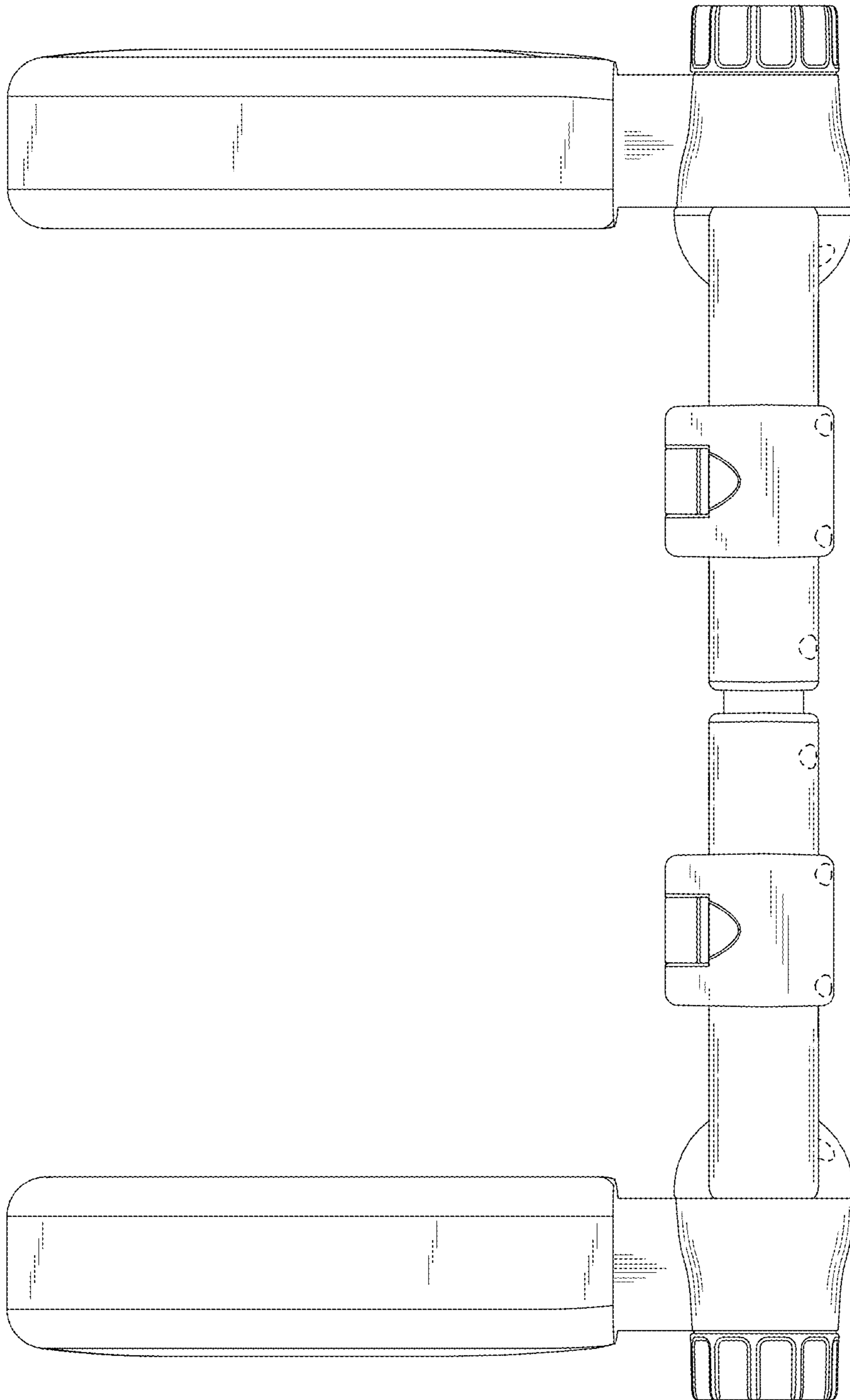


FIG. 2

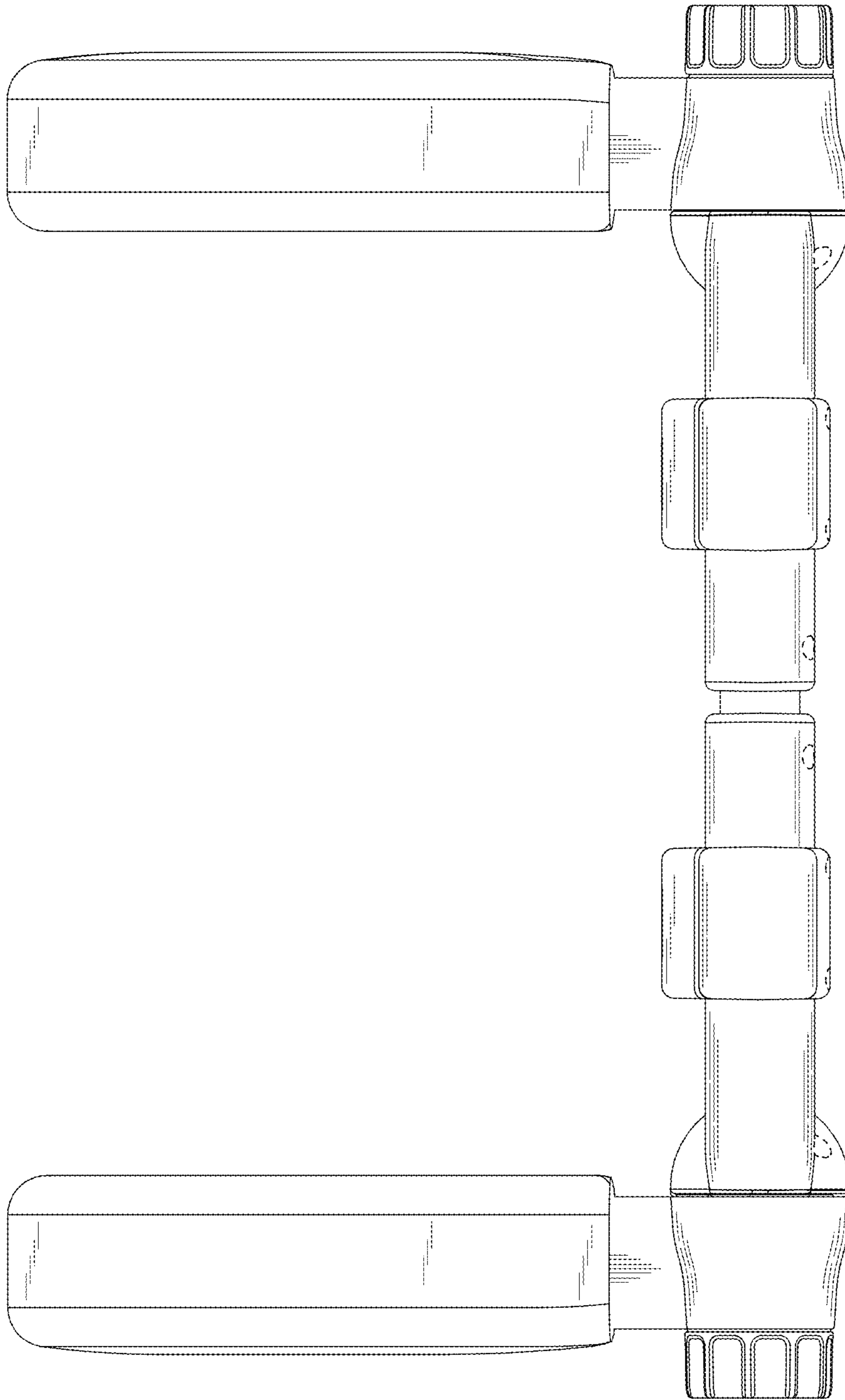


FIG. 3

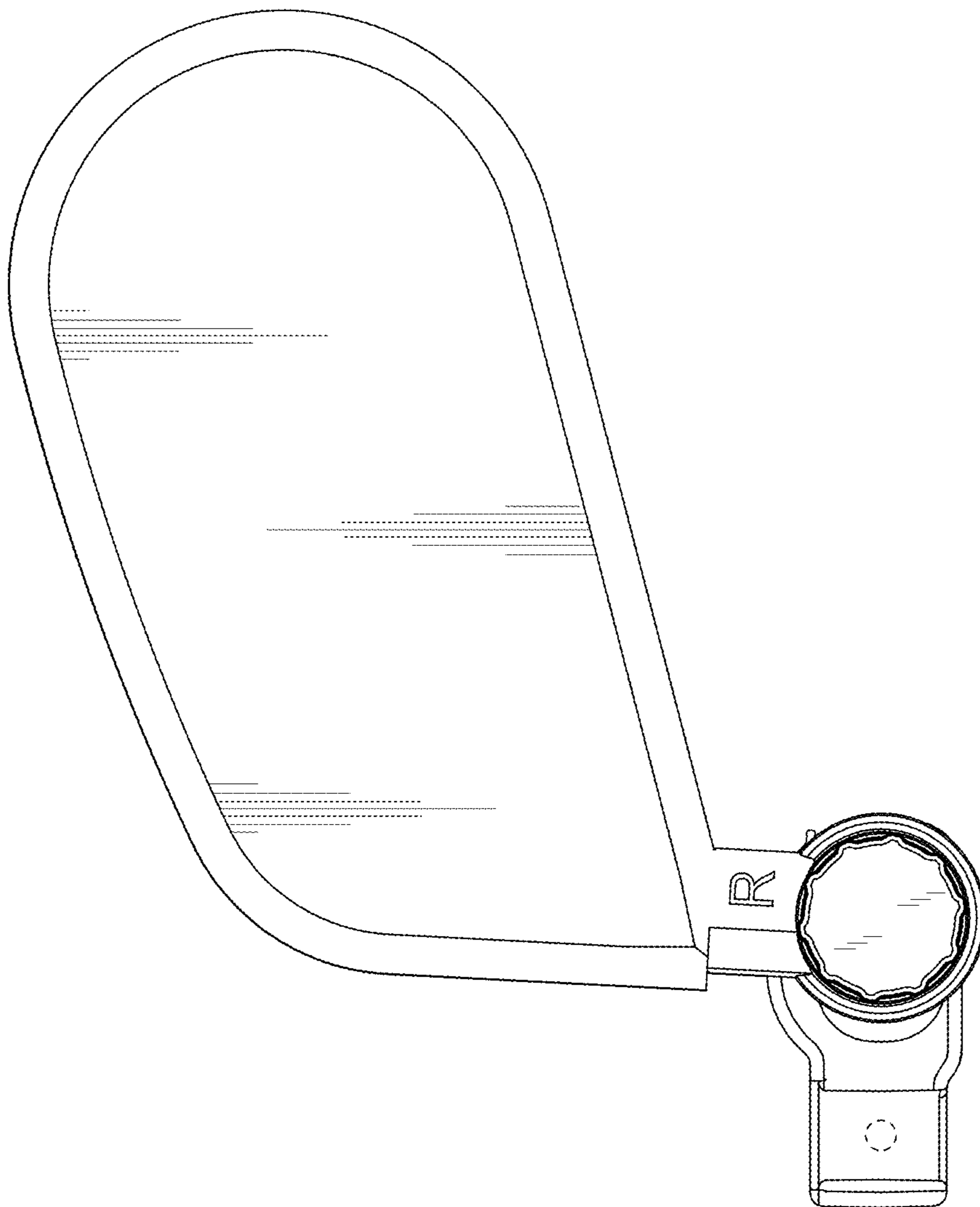


FIG. 4

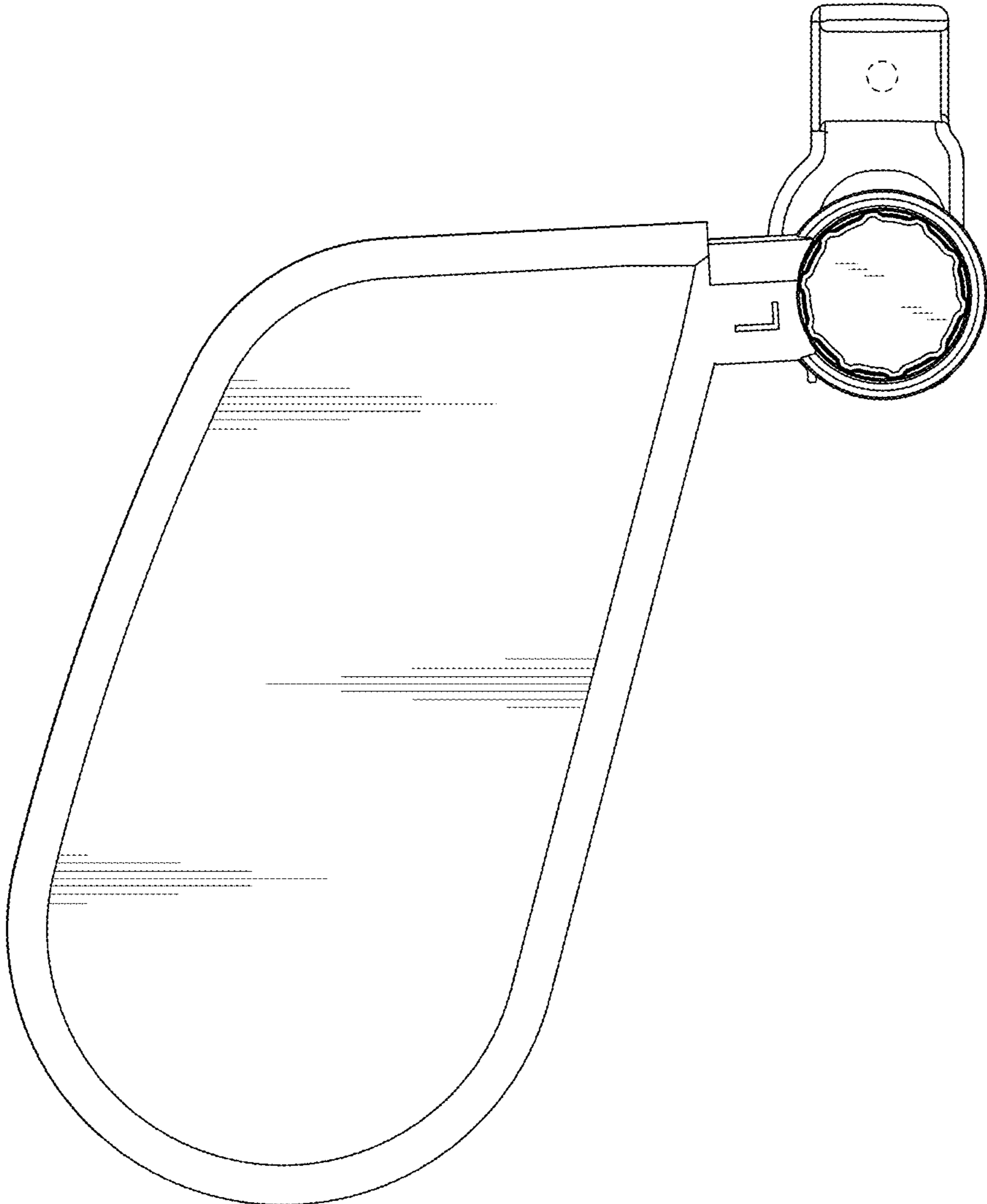


FIG. 5

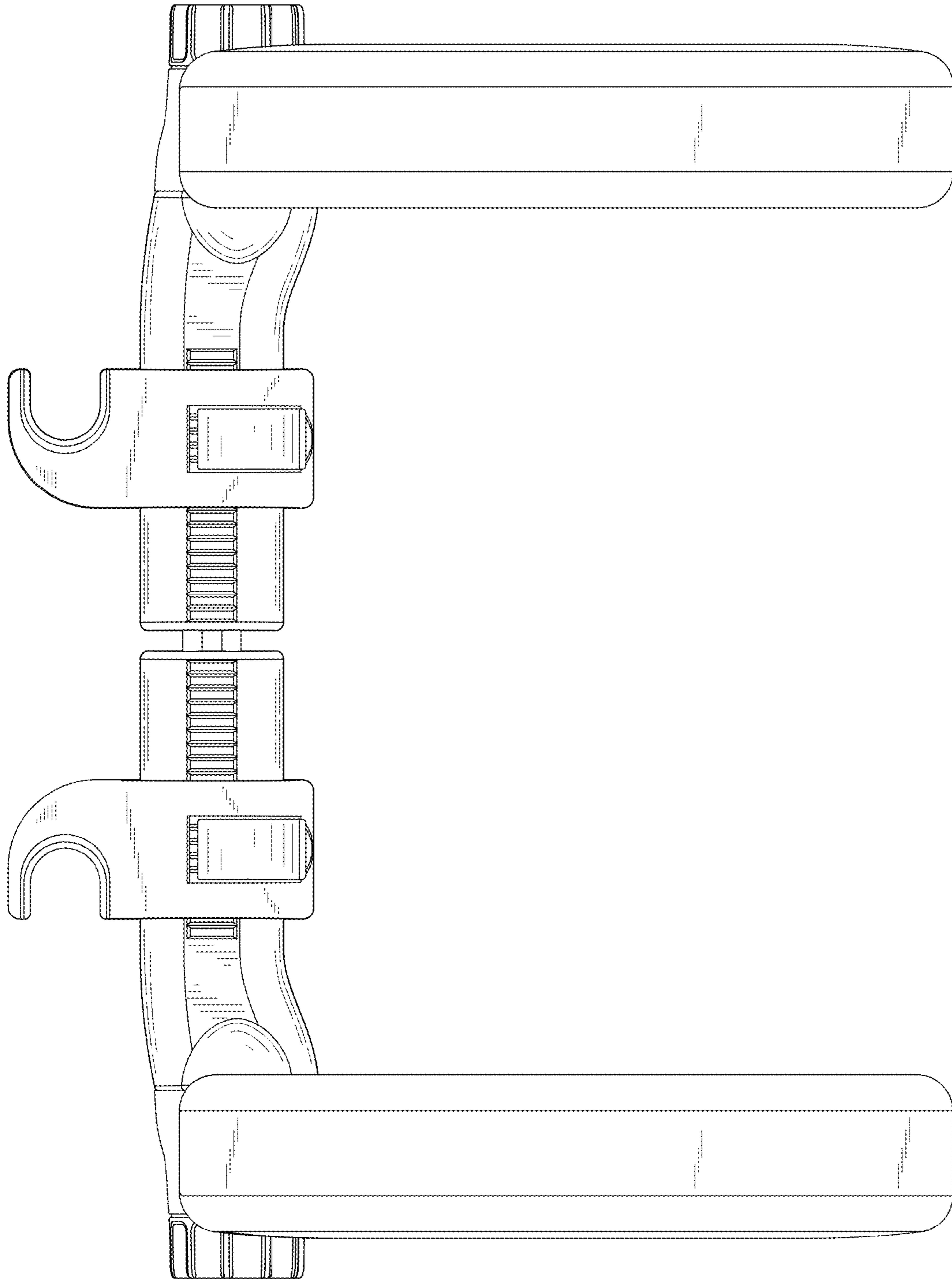


FIG. 6

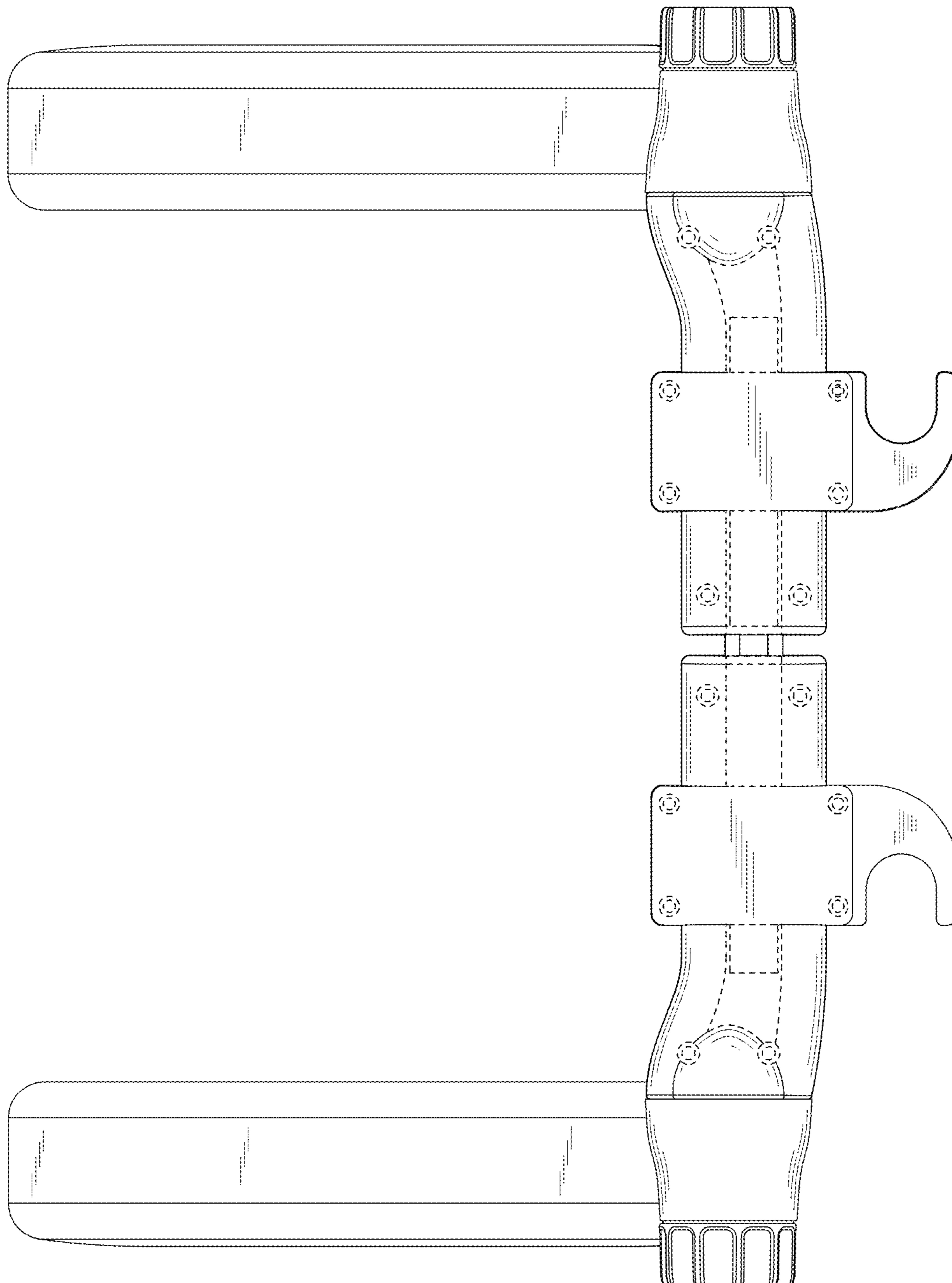


FIG. 7

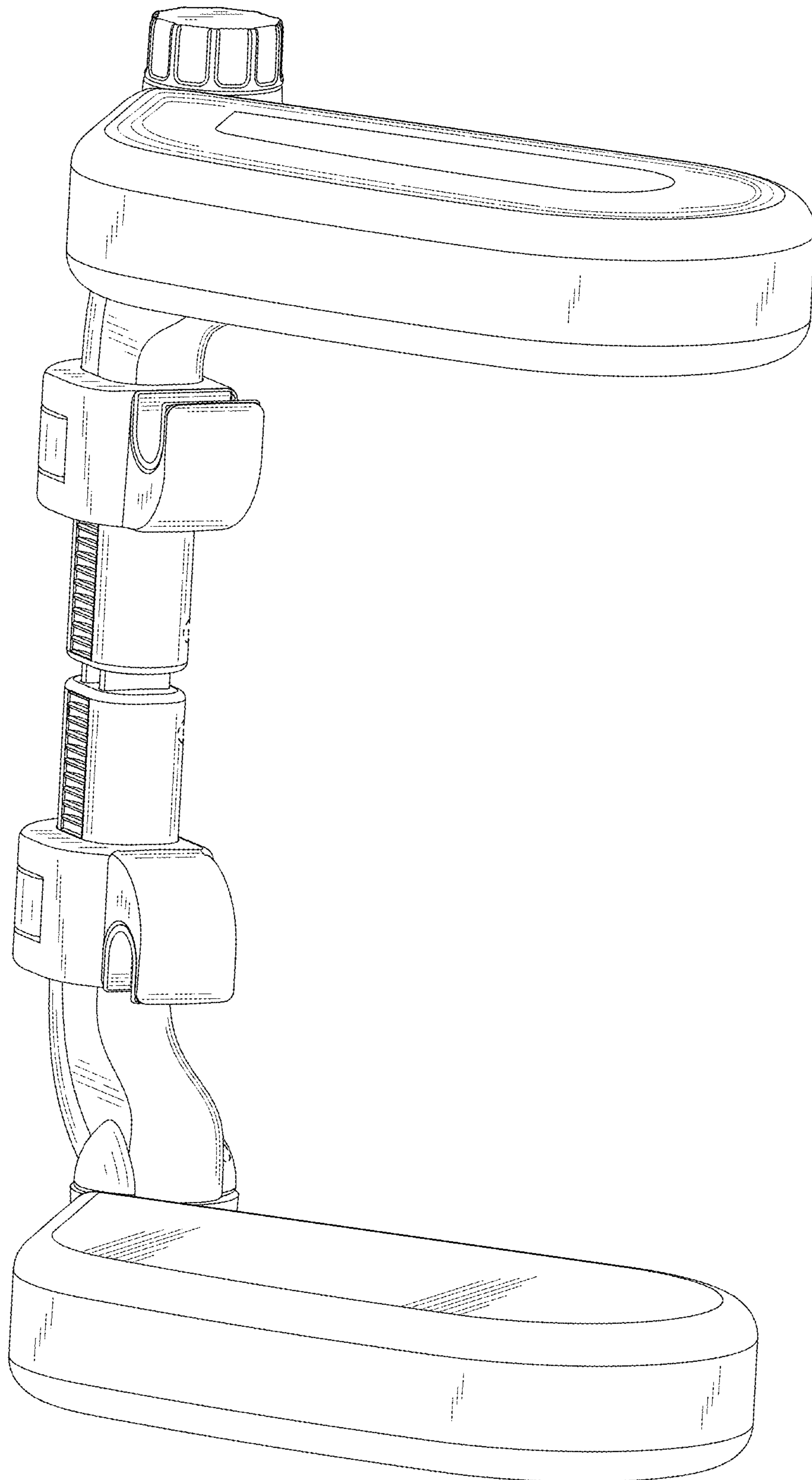


FIG. 8

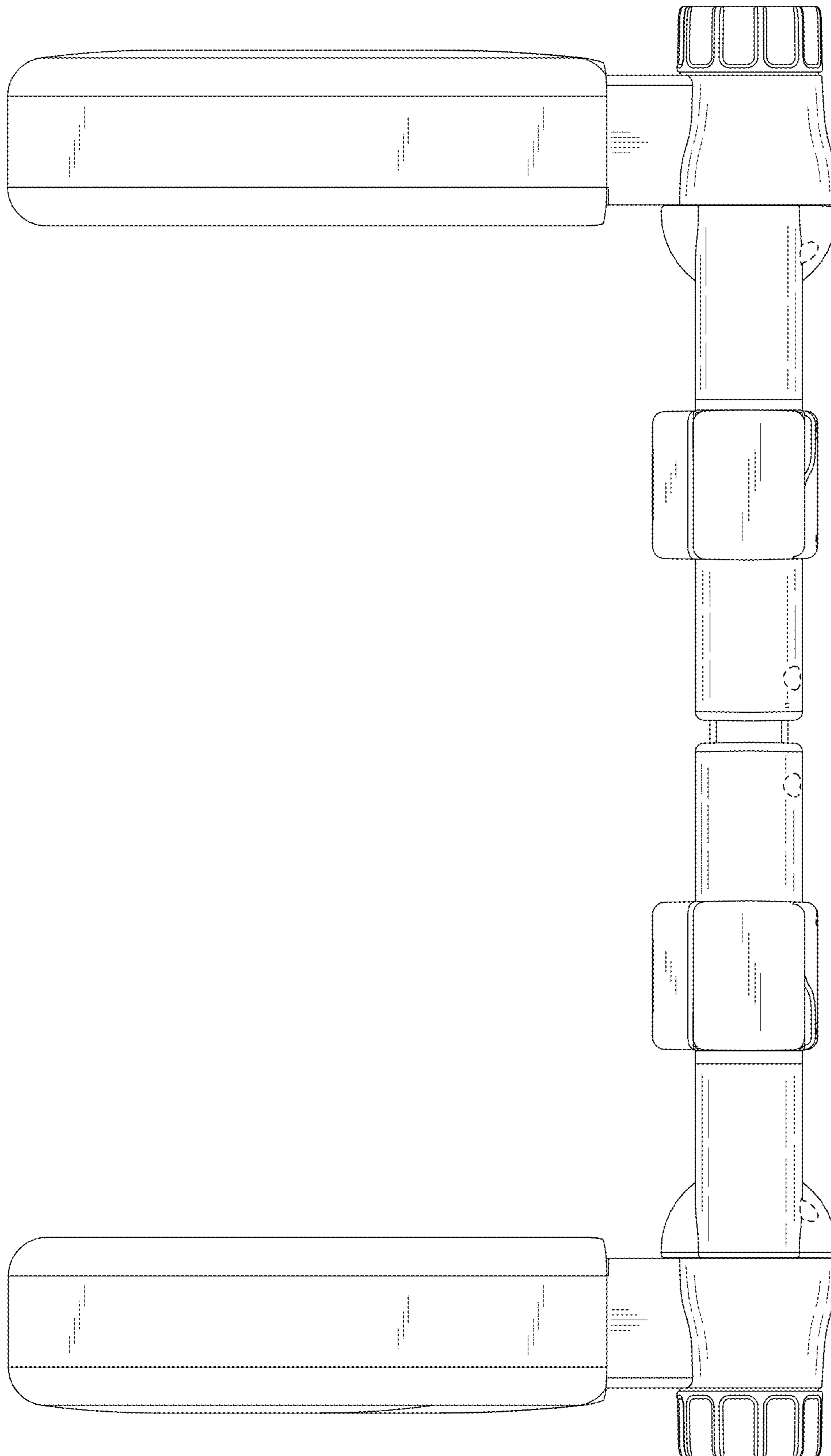


FIG. 9

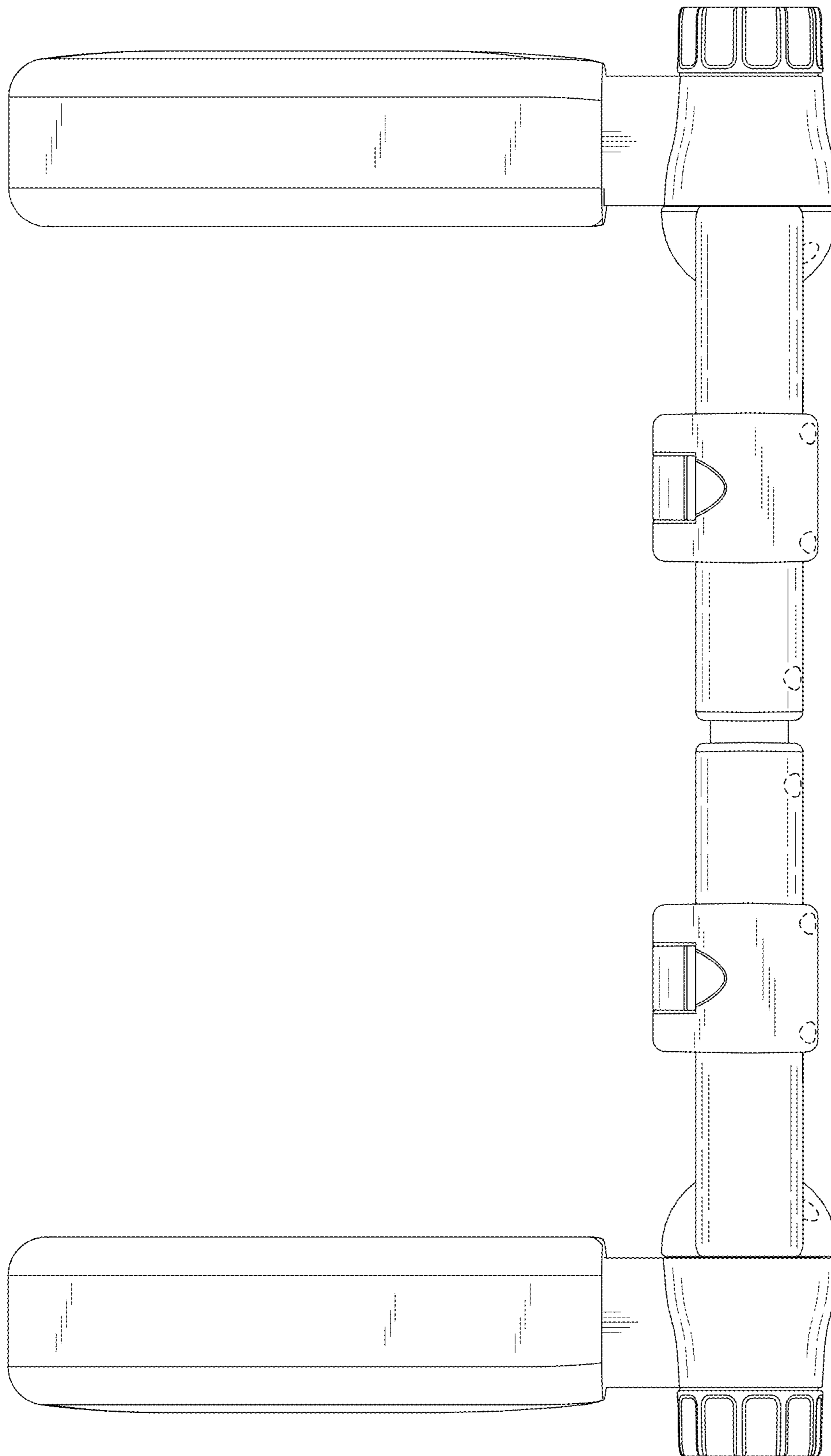


FIG. 10

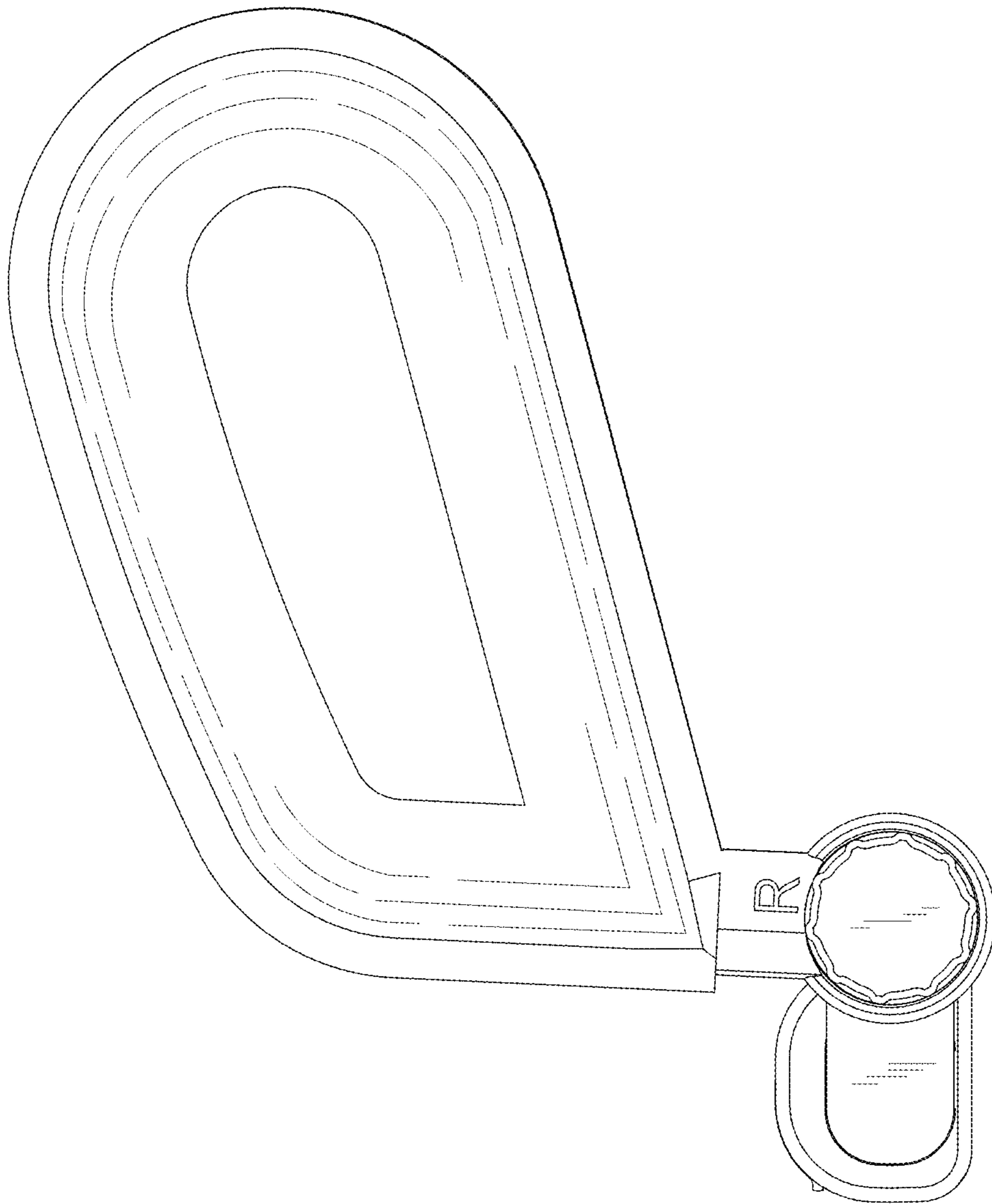


FIG. 11

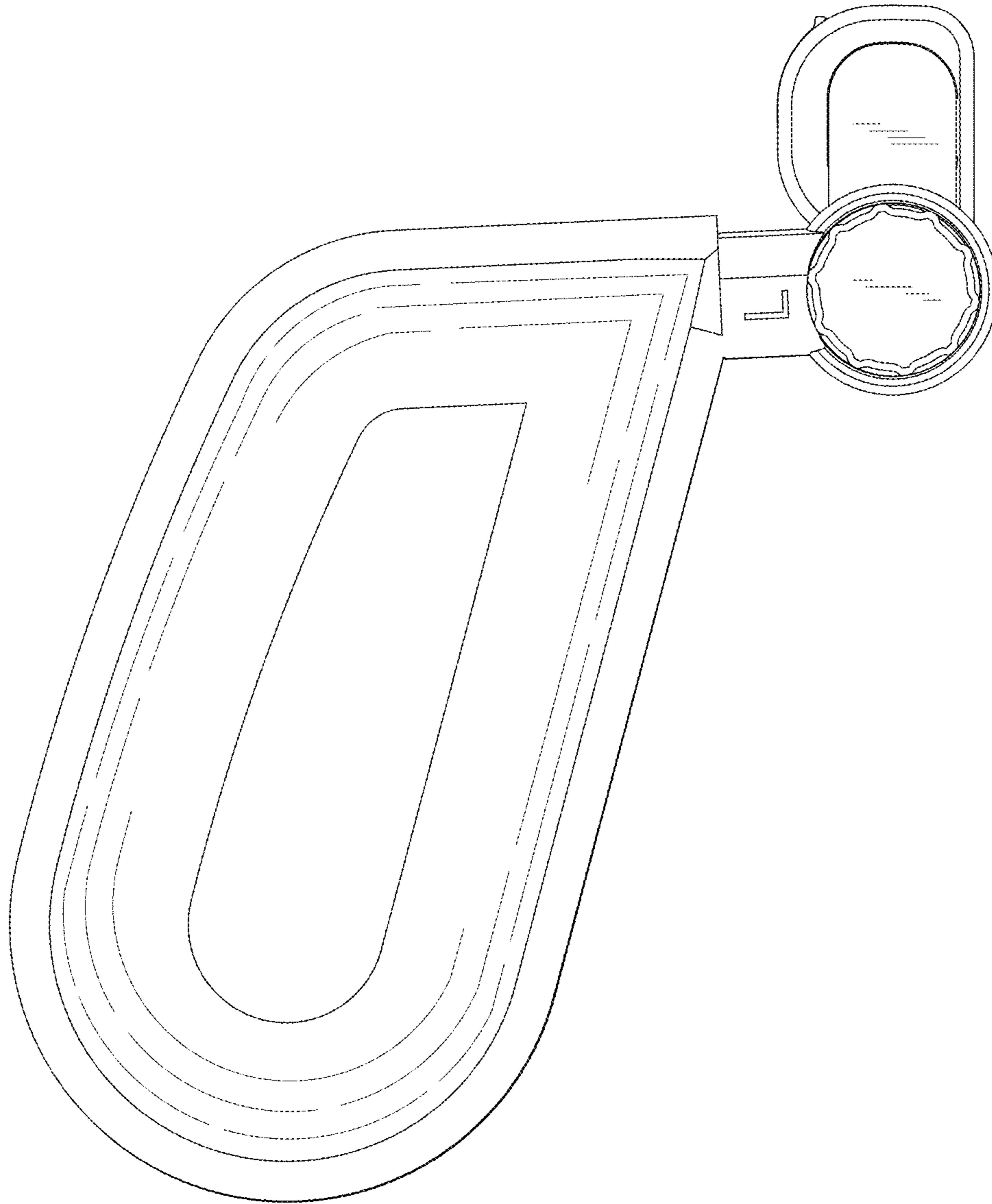


FIG. 12

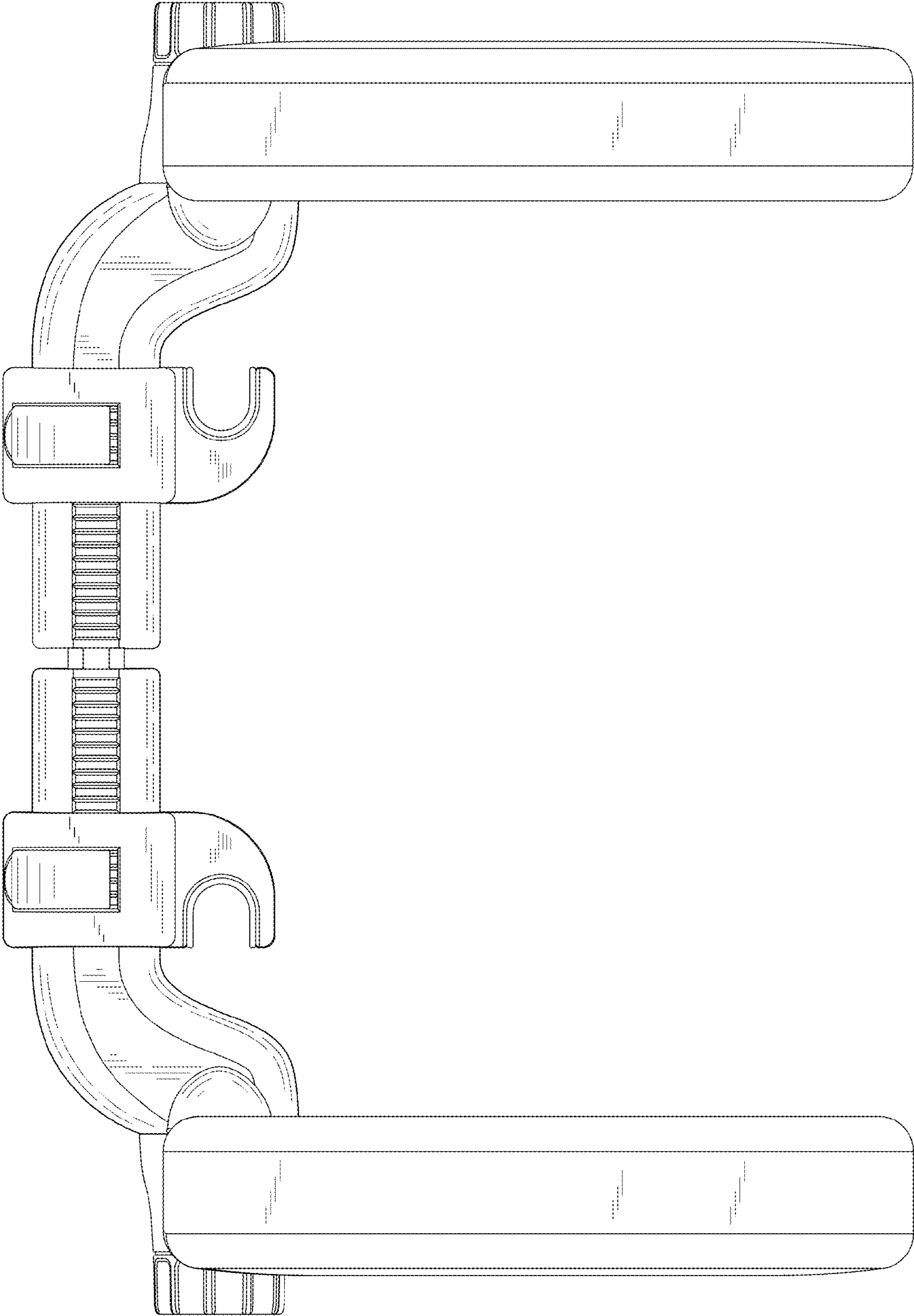


FIG. 13

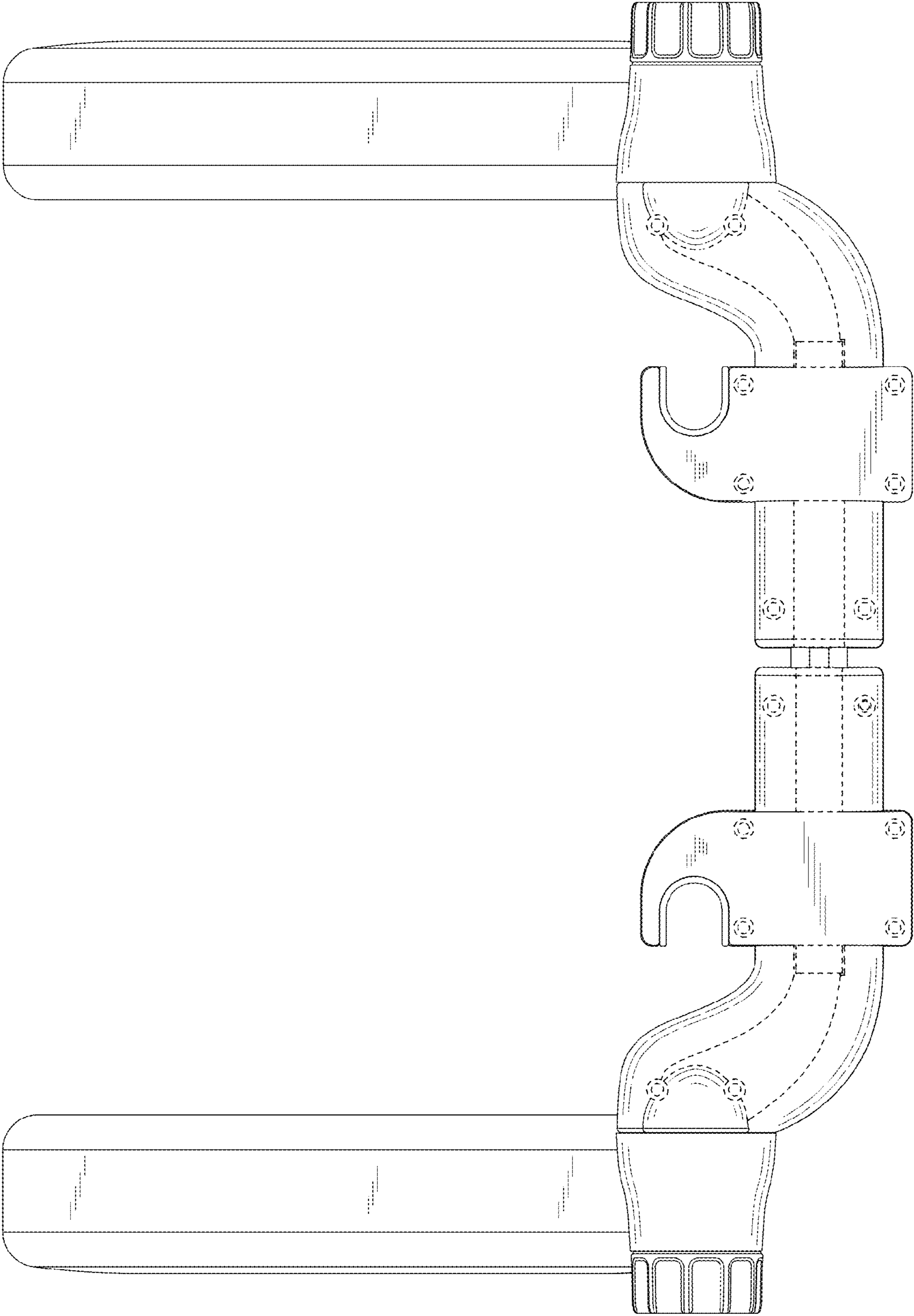


FIG. 14