



US00D933999S

(12) **United States Design Patent** (10) **Patent No.:** **US D933,999 S**  
**Chou** (45) **Date of Patent:** **\*\* Oct. 26, 2021**

- (54) **CURTAIN DECORATIVE BOARD**
- (71) Applicant: **Tser Wen Chou**, Yorba Linda, CA (US)
- (72) Inventor: **Tser Wen Chou**, Yorba Linda, CA (US)
- (\*\*) Term: **15 Years**
- (21) Appl. No.: **29/681,487**
- (22) Filed: **Feb. 26, 2019**
- (51) **LOC (13) Cl.** ..... **06-10**
- (52) **U.S. Cl.**  
USPC ..... **D6/580**
- (58) **Field of Classification Search**  
USPC ..... D6/575-577, 580-581; D13/155;  
D26/138  
CPC ..... A47H 1/14; A47H 1/142; A47H 1/144;  
A47H 11/04; E06B 9/323; E06B 9/388;  
E06B 9/42; E06B 9/46; E06B 9/48  
See application file for complete search history.

- D613,520 S \* 4/2010 Goodman ..... D25/138
- 9,078,537 B2 \* 7/2015 Lee ..... E06B 9/303
- 9,217,282 B2 \* 12/2015 Defenbaugh ..... E06B 9/68
- D808,684 S \* 1/2018 Santilli ..... E06B 9/42  
D6/580
- D811,124 S \* 2/2018 Chou ..... D6/580
- D866,221 S \* 11/2019 Chiquin ..... D6/579
- 2016/0340972 A1 \* 11/2016 Chou ..... E06B 9/42
- 2019/0271190 A1 \* 9/2019 Chou ..... E06B 9/42

\* cited by examiner

*Primary Examiner* — Kevin K Rudzinski  
*Assistant Examiner* — Clare Ann Gannon  
(74) *Attorney, Agent, or Firm* — Guice Patents PLLC

(57) **CLAIM**

The ornamental design for a curtain decorative board, as shown and described.

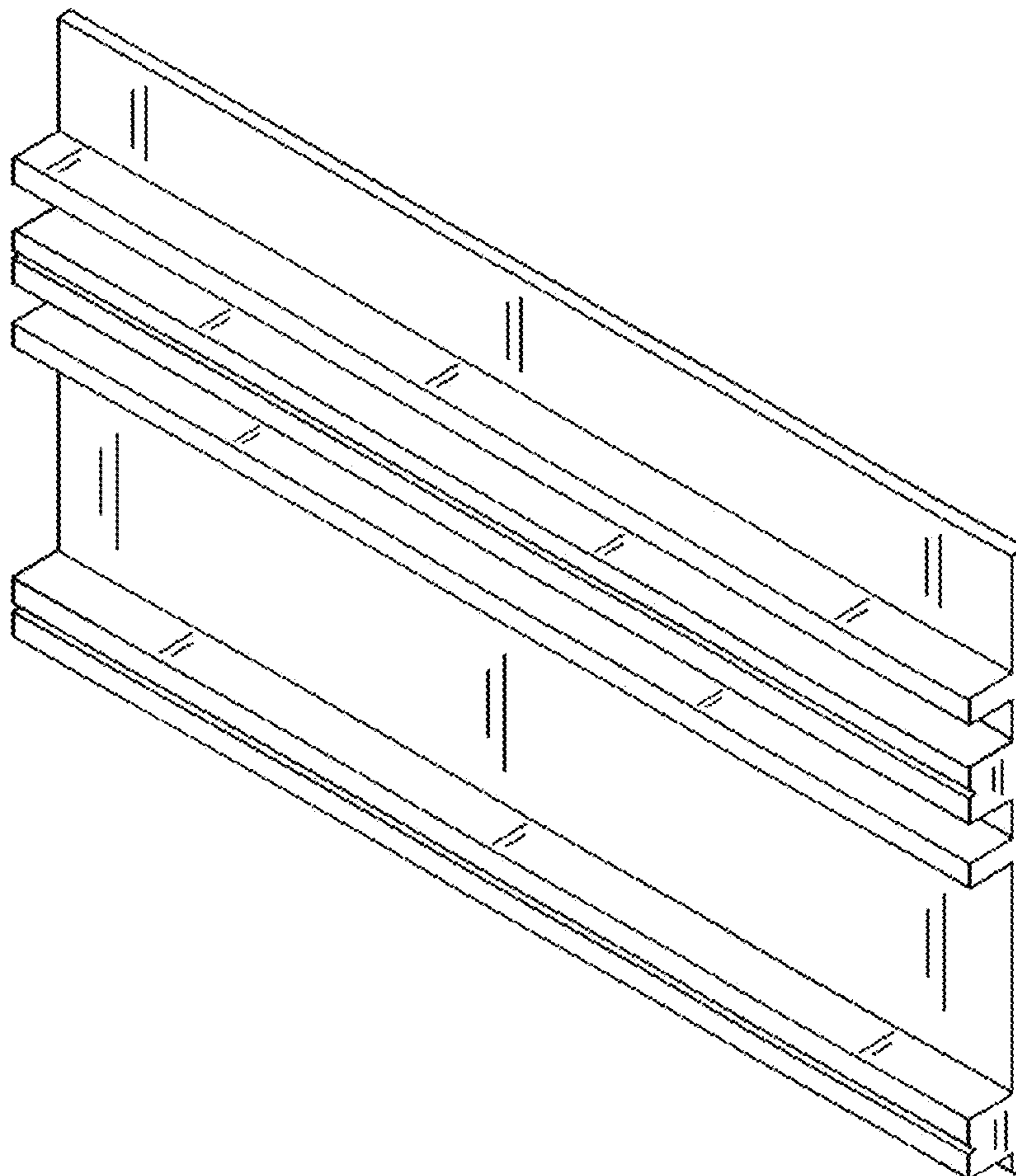
**DESCRIPTION**

FIG. 1 is a perspective view of a curtain decorative board;  
FIG. 2 is a front view thereof;  
FIG. 3 is a rear view thereof;  
FIG. 4 is a right side view thereof;  
FIG. 5 is a left side view thereof;  
FIG. 6 is a top view thereof; and,  
FIG. 7 is a bottom view thereof.

**1 Claim, 4 Drawing Sheets**

(56) **References Cited**  
U.S. PATENT DOCUMENTS

- D447,579 S \* 9/2001 Lehrkamp ..... D25/164
- D611,272 S \* 3/2010 Daino ..... E06B 9/42  
D25/123



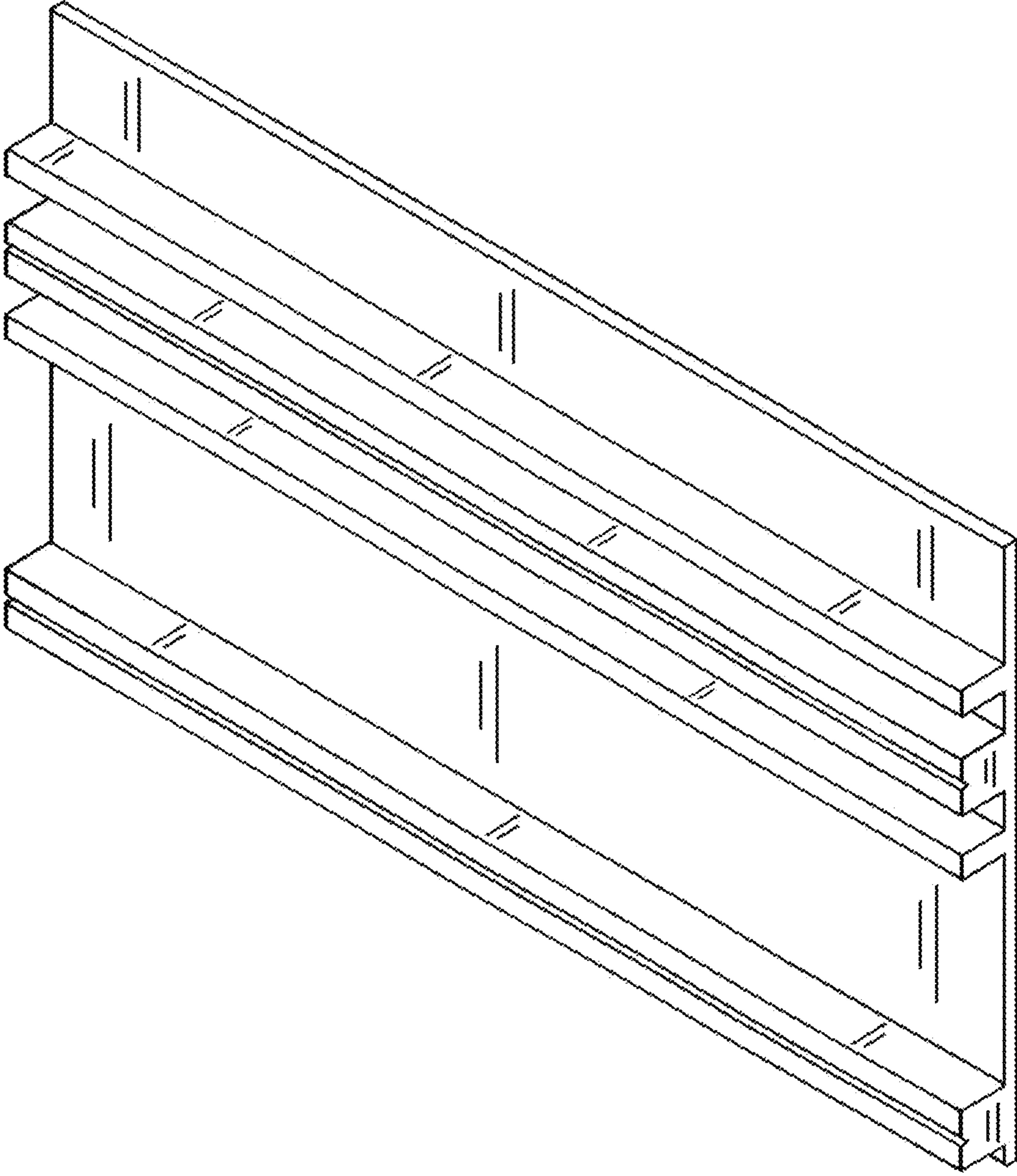


FIG. 1

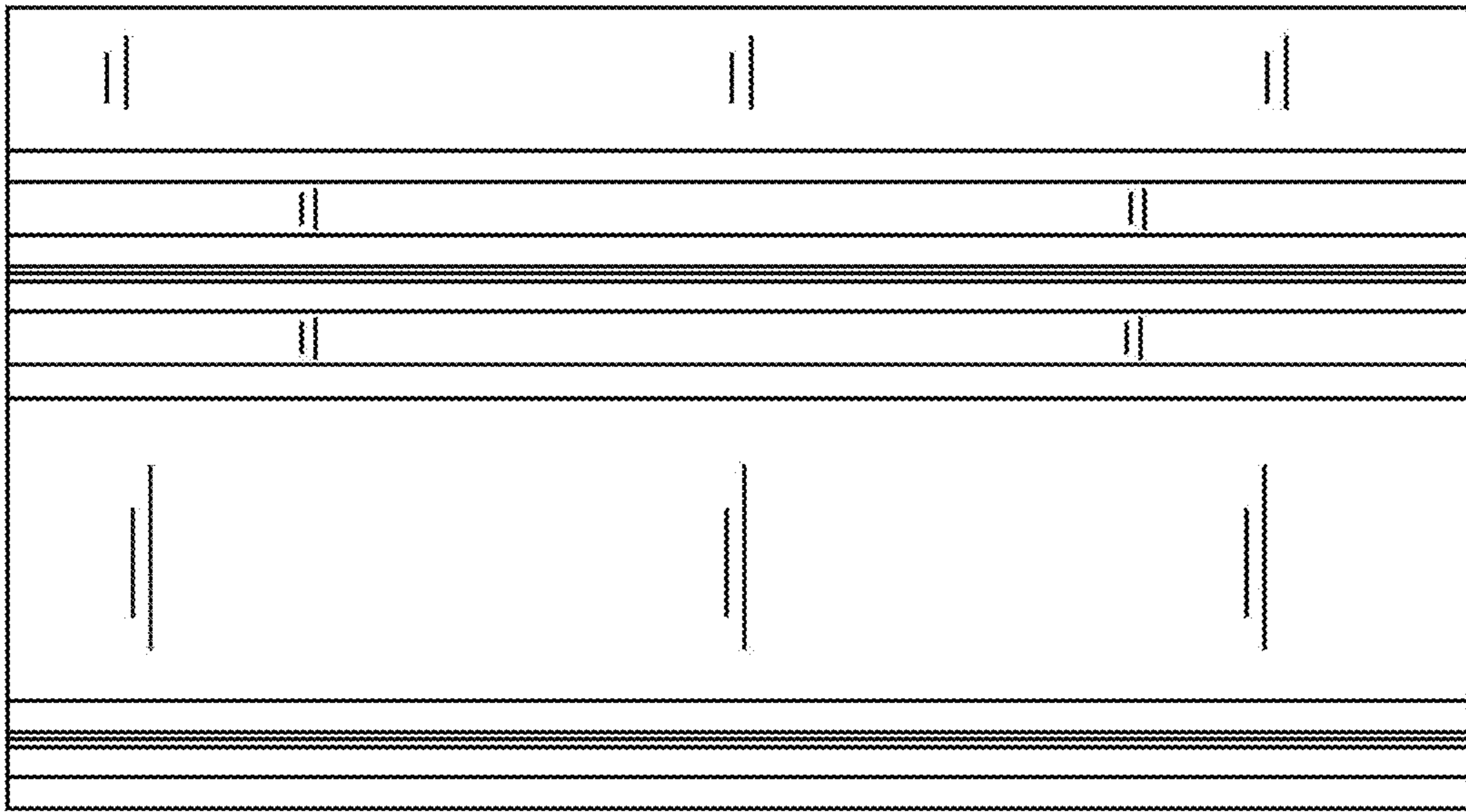


FIG. 2

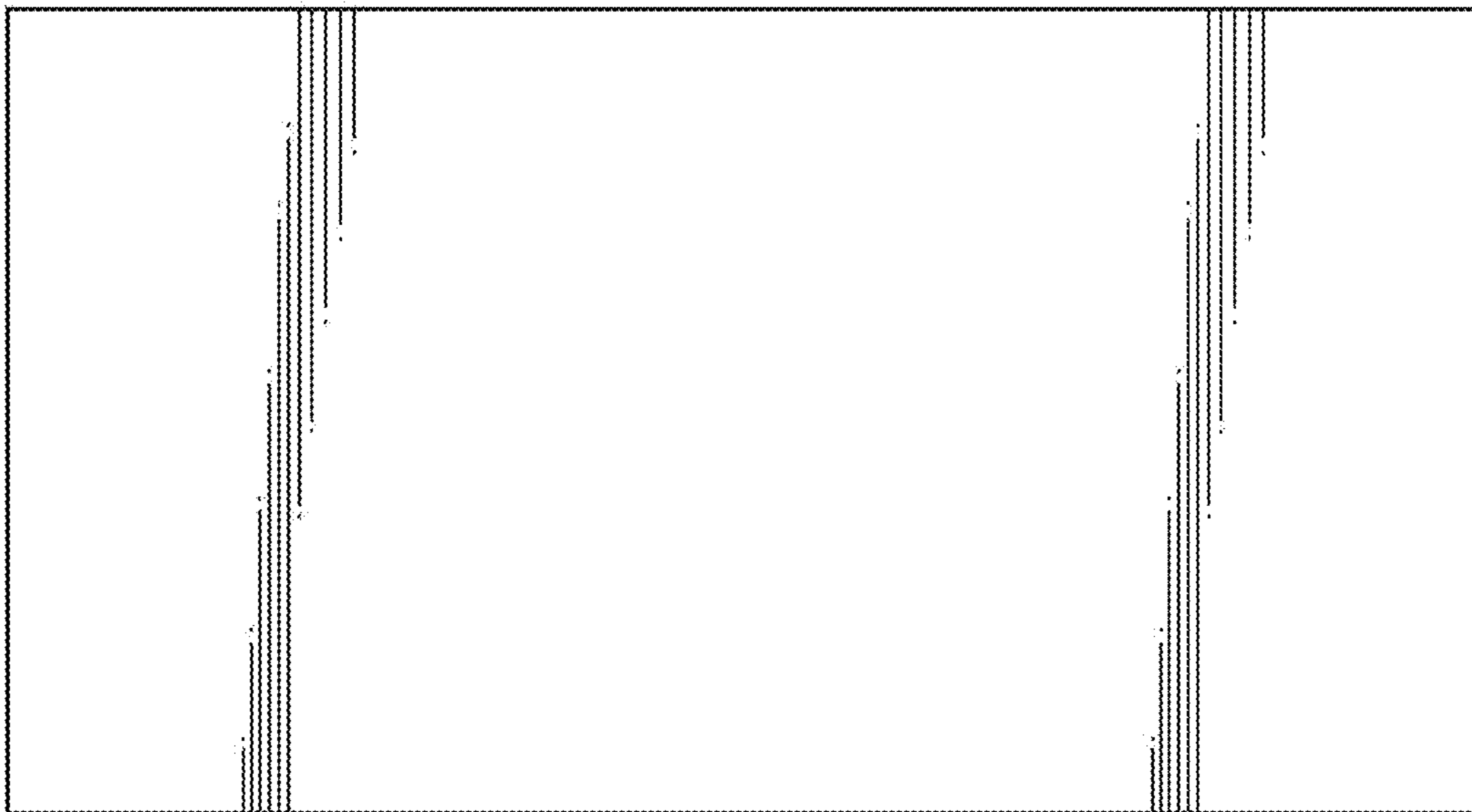


FIG. 3

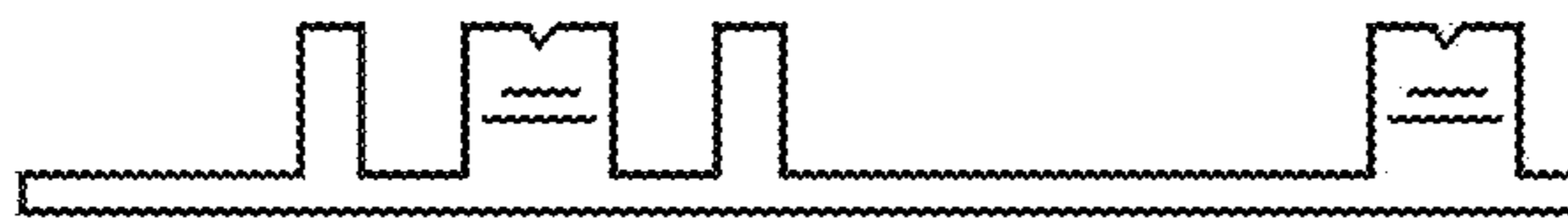


FIG. 5



FIG. 4



FIG. 6



FIG. 7