



US00D933996S

(12) **United States Design Patent** (10) **Patent No.:** **US D933,996 S**  
**Li et al.** (45) **Date of Patent:** **\*\* Oct. 26, 2021**

(54) **SOAP DISPENSER**

(71) Applicant: **JIANGSU OPPEAL DAILY COSMETICS CORP., LTD**, Yangzhou (CN)

(72) Inventors: **Jingjing Li**, Yangzhou (CN); **Mingyang Chen**, Yangzhou (CN); **Aijun Luo**, Yangzhou (CN)

(73) Assignee: **JIANGSU OPPEAL DAILY COSMETICS CORP., LTD**, Yangzhou (CN)

(\*\*) Term: **15 Years**

(21) Appl. No.: **29/730,977**

(22) Filed: **Apr. 10, 2020**

(30) **Foreign Application Priority Data**

Oct. 10, 2019 (CN) ..... 201930551007.6

(51) **LOC (13) Cl.** ..... **23-02**

(52) **U.S. Cl.**  
USPC ..... **D6/545**

(58) **Field of Classification Search**  
USPC ..... D6/542-545; 221/208, 282, 283;  
222/105, 173, 180, 181.1, 181.2, 181.3  
CPC ..... A47K 5/12; A47K 5/00; A47K 5/1208;  
A47K 3/281; A47K 5/122; A47K 5/1211;  
A47K 3/28  
See application file for complete search history.

(56) **References Cited**

**U.S. PATENT DOCUMENTS**

D639,660 S \* 6/2011 Carreno ..... D9/504  
D700,514 S \* 3/2014 Abbondanzio ..... D9/448  
D739,750 S \* 9/2015 Luijendijk ..... D9/529  
D741,181 S \* 10/2015 Bar-Tal ..... D9/529

D758,879 S \* 6/2016 Chen ..... D9/688  
D763,703 S \* 8/2016 Chen ..... D9/690  
D794,471 S \* 8/2017 Rossi ..... D9/682  
D810,581 S \* 2/2018 Shalev ..... D9/684  
D899,133 S \* 10/2020 Frame ..... D6/542  
D902,738 S \* 11/2020 Alfaras ..... D9/688  
D915,785 S \* 4/2021 Feigenbaum ..... D6/545  
2011/0284572 A1\* 11/2011 Meyer ..... A47F 1/085  
221/251  
2021/0113030 A1\* 4/2021 Li ..... A47K 5/1211

**OTHER PUBLICATIONS**

oppeal.en.made-inchina.com, Liquid Soap and Hand Sanitizer Squeeze Dispenser with Valve for Shampoo Shower Gel, Aug. 20, 2021 <https://oppeal.en.made-in-china.com/product/fBVQPNgJbCYd/China-Magnet-Opening-Hotel-Home-Use-Liquid-Soap-and-Hand-Sanitizer-Squeeze-Dispenser-with-Valve-for-Shamp> (Year: 2020).\*

\* cited by examiner

*Primary Examiner* — Nathan M Johnston  
(74) *Attorney, Agent, or Firm* — Bayramoglu Law Offices LLC

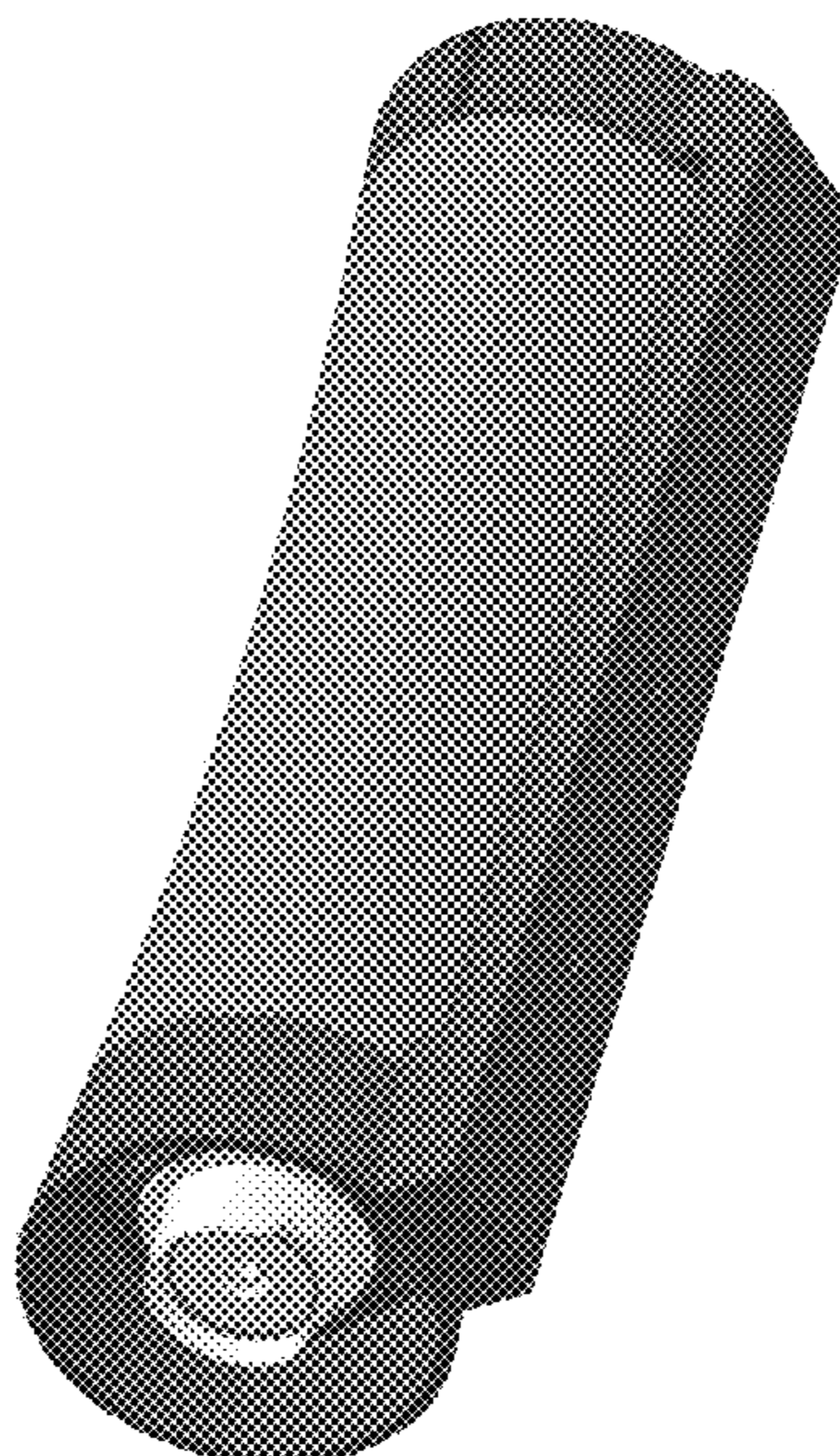
(57) **CLAIM**

The ornamental design for a soap dispenser, as shown and described.

**DESCRIPTION**

FIG. 1 is a front elevational view of a soap dispenser showing our new design;  
FIG. 2 is a rear elevational view thereof;  
FIG. 3 is a left side elevational view thereof;  
FIG. 4 is a right side elevational view thereof;  
FIG. 5 is a top plan view thereof;  
FIG. 6 is a bottom plan view thereof;  
FIG. 7 is a top perspective view thereof; and,  
FIG. 8 is a bottom perspective view thereof.

**1 Claim, 8 Drawing Sheets**



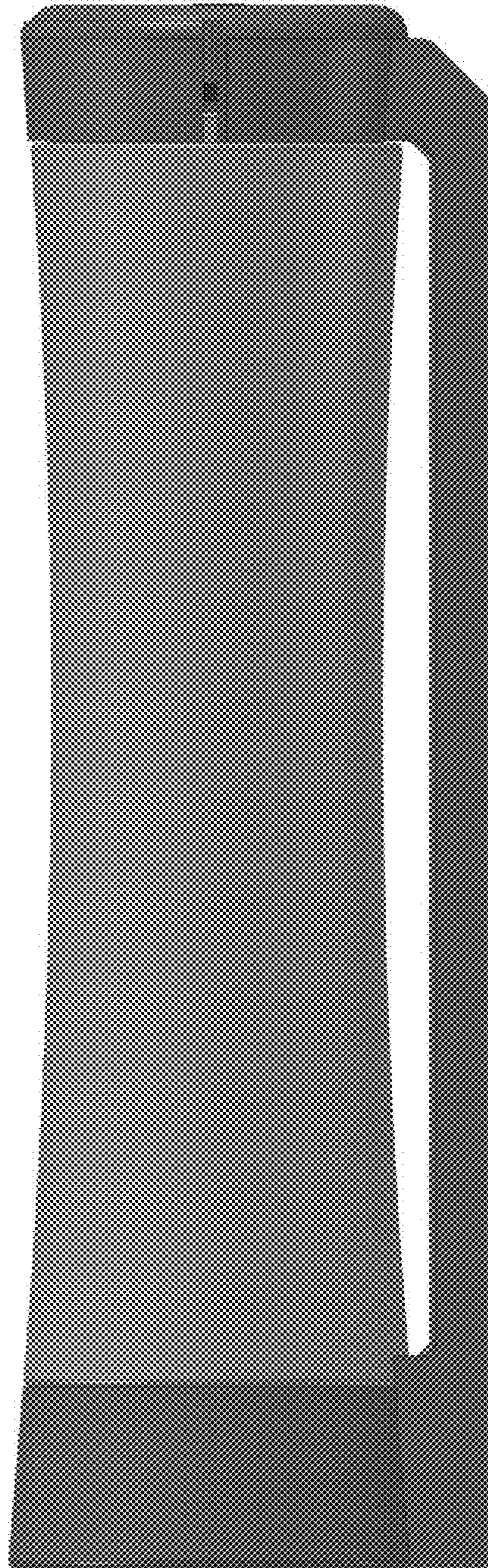


FIG. 1

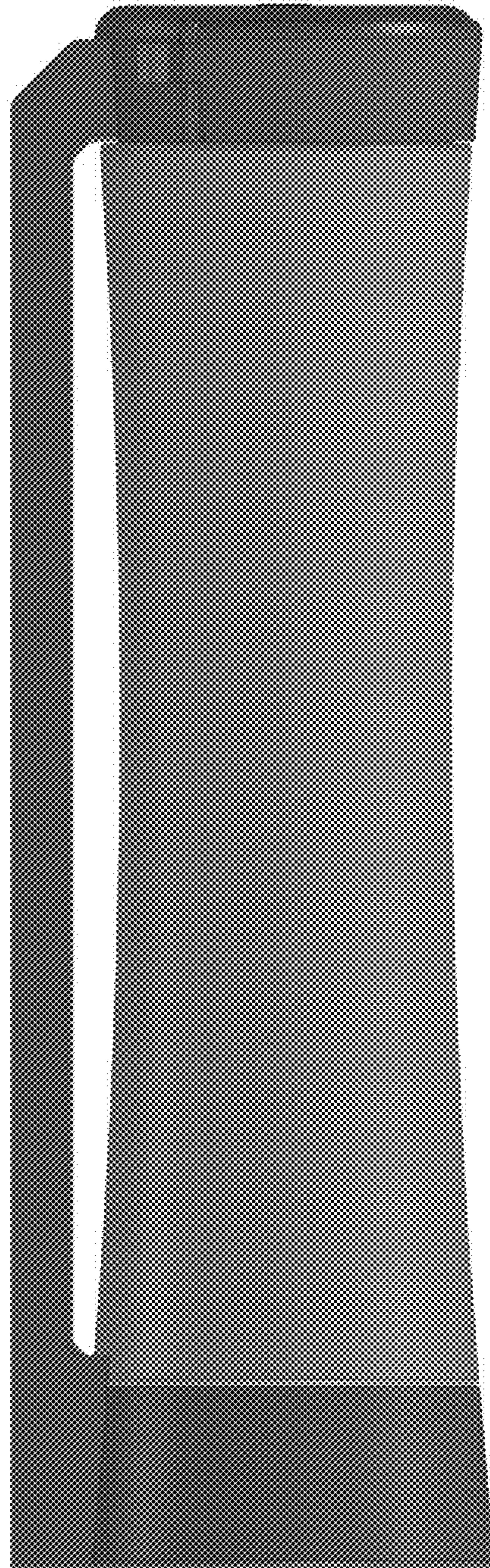


FIG. 2

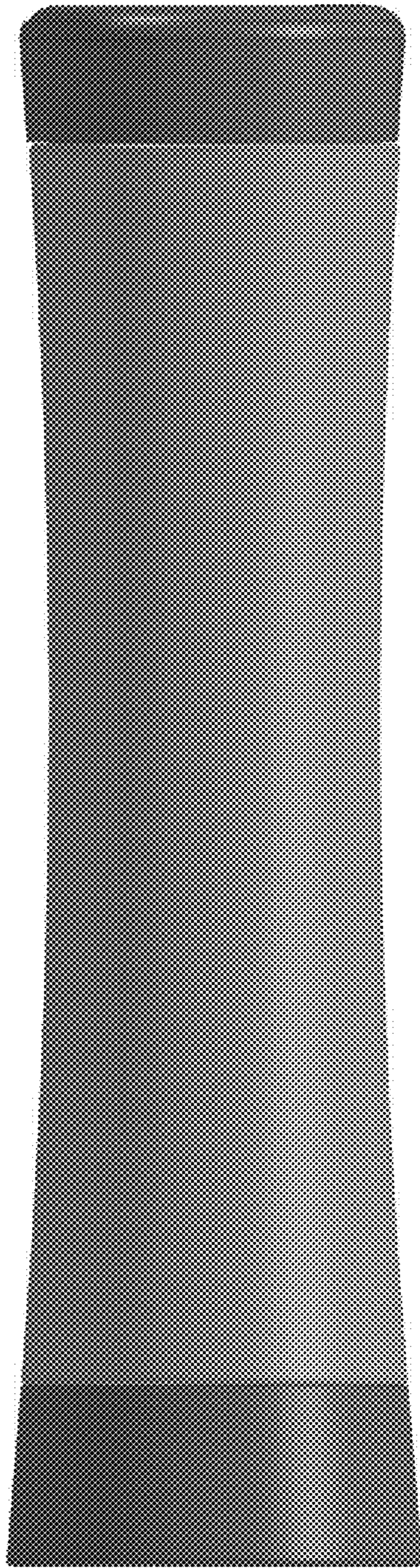


FIG. 3

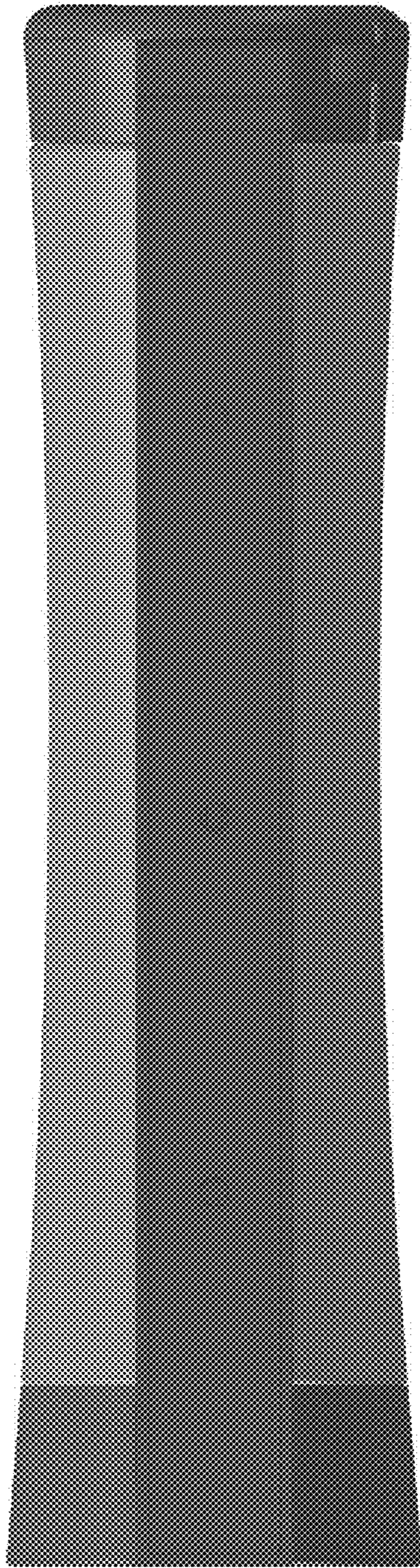


FIG. 4



FIG. 5

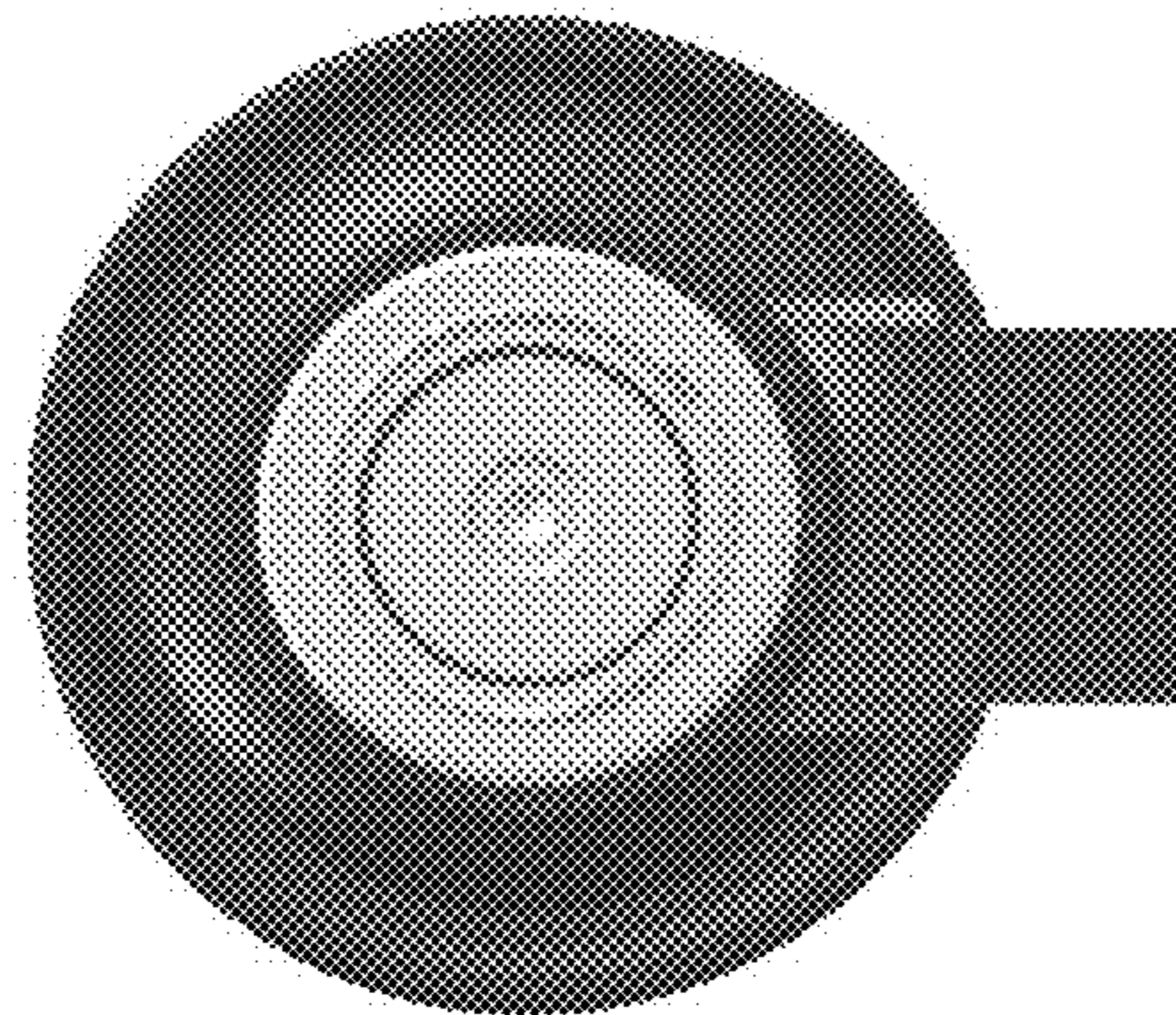


FIG. 6

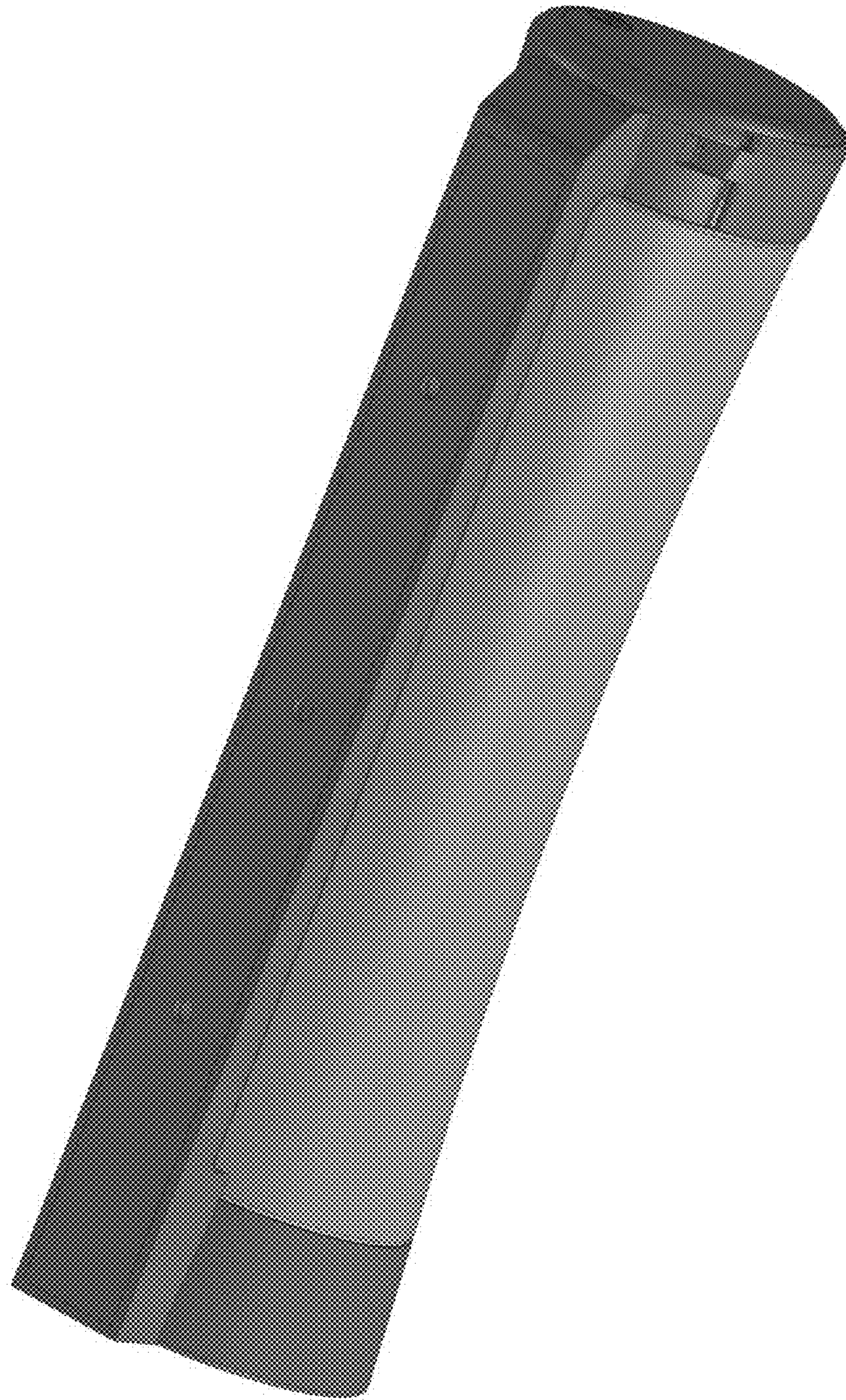


FIG. 7



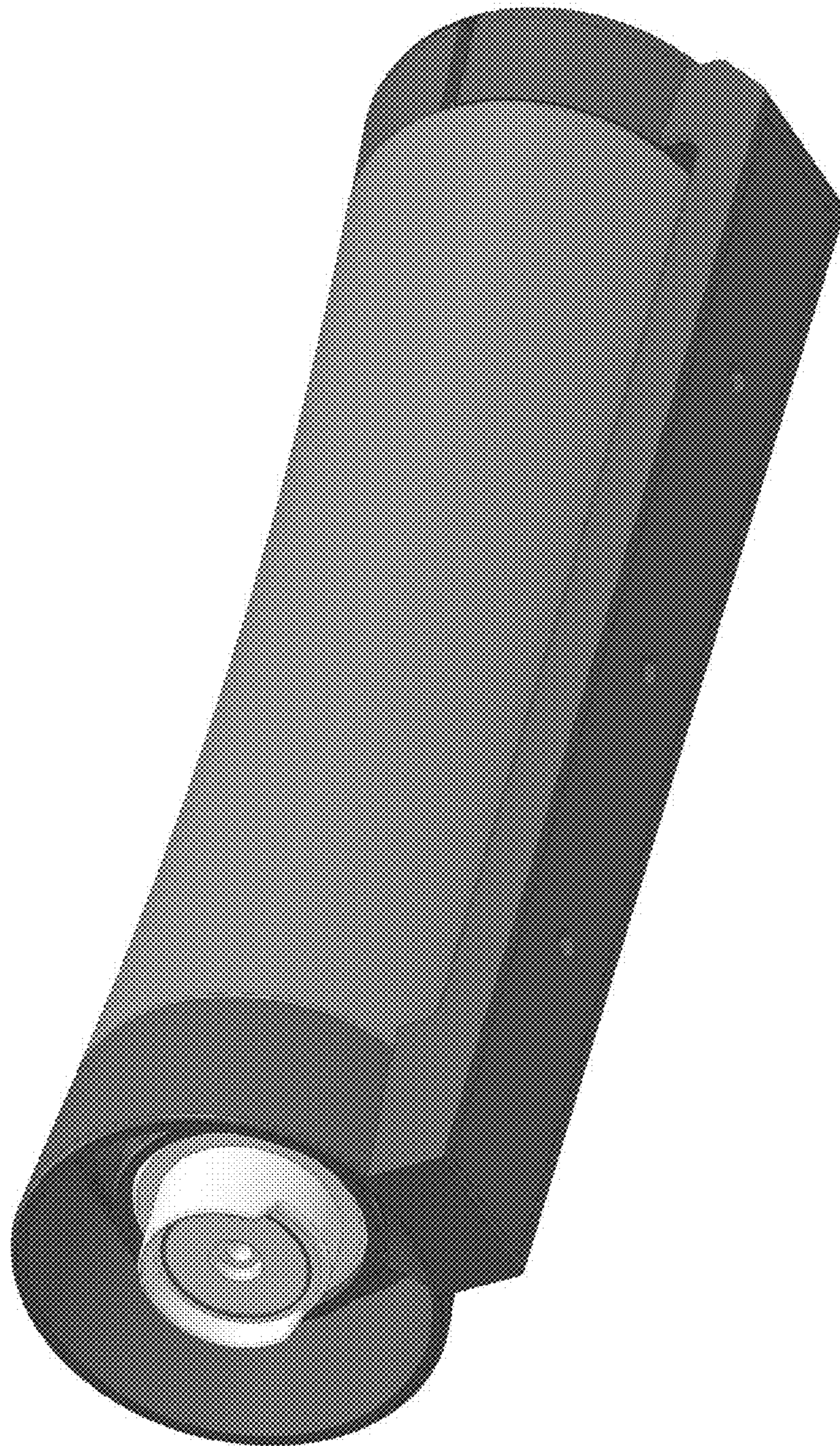


FIG. 8