



US00D933994S

(12) **United States Design Patent** (10) **Patent No.:** **US D933,994 S**
Li (45) **Date of Patent:** **** Oct. 26, 2021**

(54) **BED FRAME**

(71) Applicant: **SHENZHEN KHD TECHNOLOGY CO., LTD**, Shenzhen (CN)

(72) Inventor: **Kai Li**, Shenzhen (CN)

(73) Assignee: **SHENZHEN KHD TECHNOLOGY CO., LTD**, Shenzhen (CN)

(**) Term: **15 Years**

(21) Appl. No.: **29/753,793**

(22) Filed: **Oct. 1, 2020**

(51) **LOC (13) Cl.** **06-02**

(52) **U.S. Cl.**
USPC **D6/395**

(58) **Field of Classification Search**
USPC D6/382, 393, 394, 395, 718, 718.13,
D6/719.19, 718.21, 718.25
CPC A47C 19/00; A47C 19/022; A47C 19/021;
A47F 7/30
See application file for complete search history.

(56) **References Cited**

U.S. PATENT DOCUMENTS

D407 S *	9/1851	Hutton	D6/394
D26,854 S *	3/1897	Foster	D6/395
D41,569 S *	7/1911	Moore	D6/394
D72,734 S *	5/1927	Stuart	D6/718.21
D445,283 S *	7/2001	Camfferman	D6/718.25
D564,779 S	3/2008	Novak		
D660,046 S *	5/2012	al-Rawi	D6/393
D690,527 S *	10/2013	al-Rawi	D6/393
D837,555 S	1/2019	Altemime		
D911,059 S *	2/2021	Fang	D6/394
D911,060 S *	2/2021	Machado	D6/395
2006/0150319 A1 *	7/2006	Kemp	A47C 17/84 5/10.1

OTHER PUBLICATIONS

“VECELO Vintage Queen Size Bed Frame.” Found online Apr. 1, 2021 at www.amazon.com. Product first available Sep. 10, 2020. Retrieved from URL: https://tinyurl.com/5unx79ne (Year: 2020).*
“Inspire Q Mercer Casted Knot Metal Bed.” Found online Apr. 1, 2021 at www.amazon.com. Product first available Nov. 18, 2018. Retrieved from URL: https://tinyurl.com/ym4hj5pb (Year: 2018).*
“Pemberly Row Full Metal Bed in Charcoal.” Found online Apr. 1, 2021 at www.amazon.com. Product first available Dec. 28, 2018. Retrieved from URL: https://tinyurl.com/29kcvvch (Year: 2018).*
“Nashburg Queen Metal Bed.” Found online Apr. 1, 2021 at www.ashleyfurniture.com. Customer question asked Apr. 3, 2019. Retrieved from URL: https://tinyurl.com/d8hka99m (Year: 2019).*

* cited by examiner

Primary Examiner — Mary Ann Calabrese
Assistant Examiner — Katelin G Kloberg

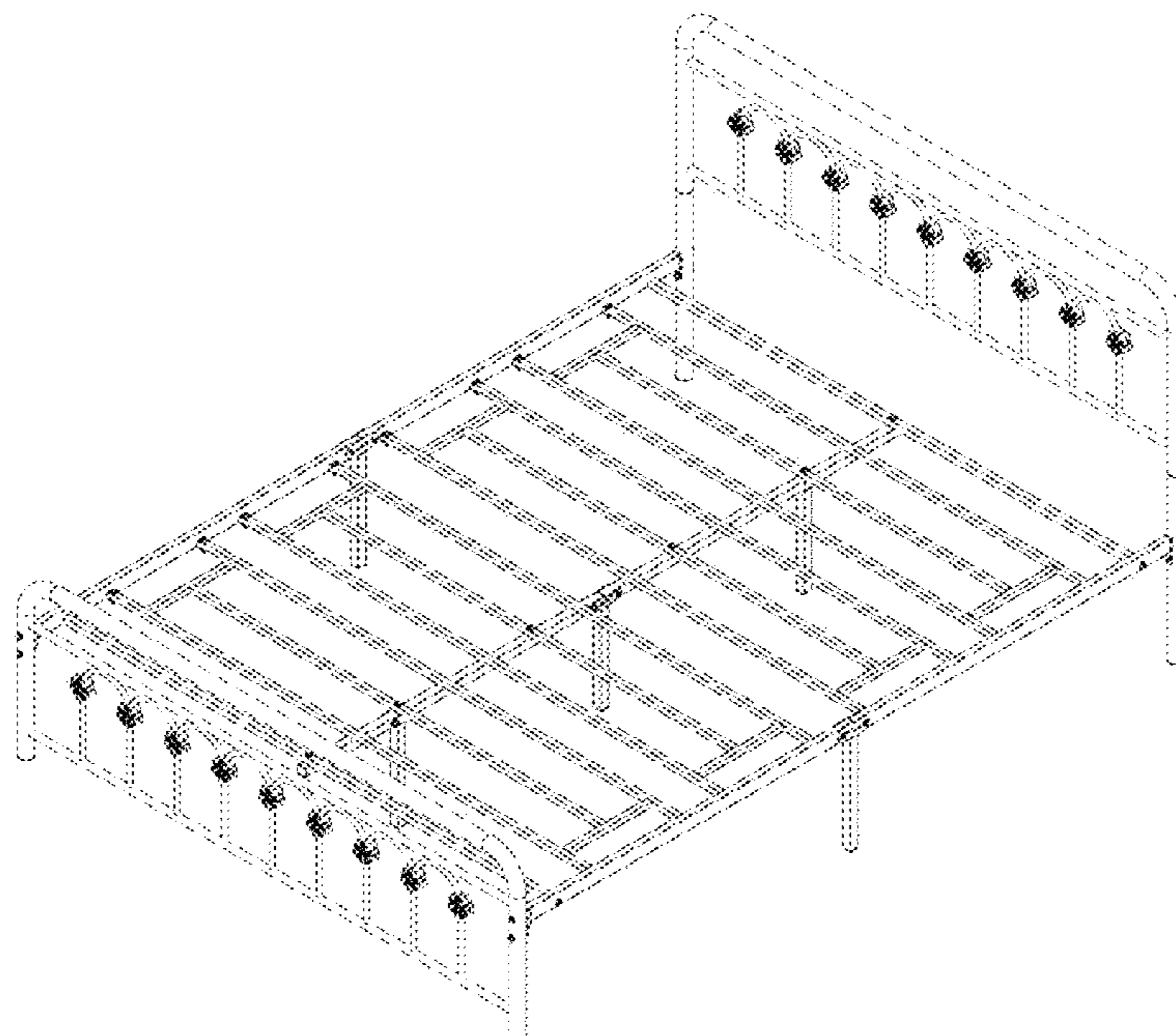
(57) **CLAIM**

The ornamental design for a bed frame, as shown and described.

DESCRIPTION

FIG. 1 is a top, front, right side perspective view of a bed frame, showing my new design;
FIG. 2. is a top, front, perspective view thereof;
FIG. 3 is a front view thereof;
FIG. 4 is a back view thereof;
FIG. 5 is a right side view thereof;
FIG. 6 is a left side view thereof;
FIG. 7 is a top view thereof; and,
FIG. 8 is a bottom view thereof.

1 Claim, 8 Drawing Sheets



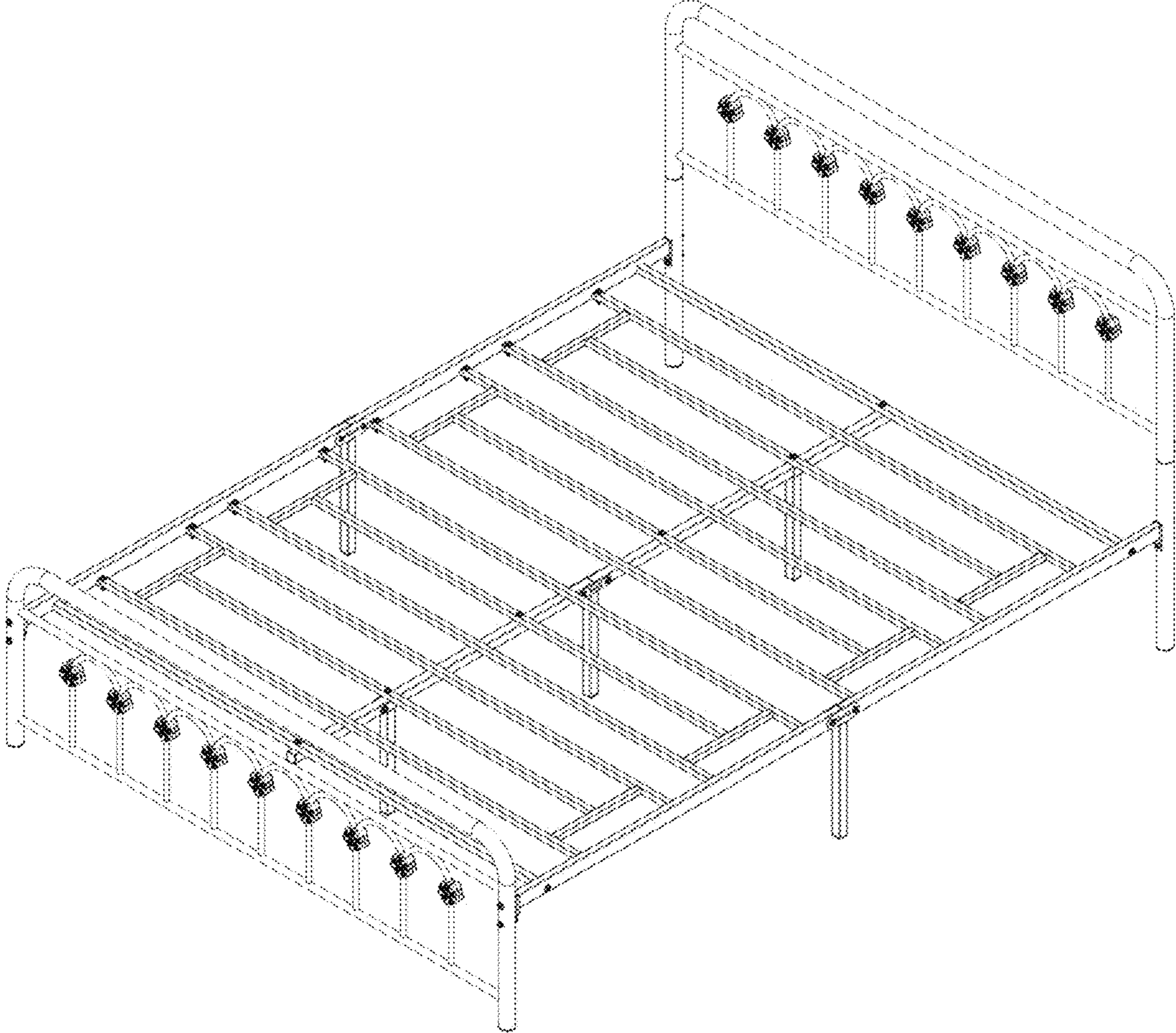


FIG 1

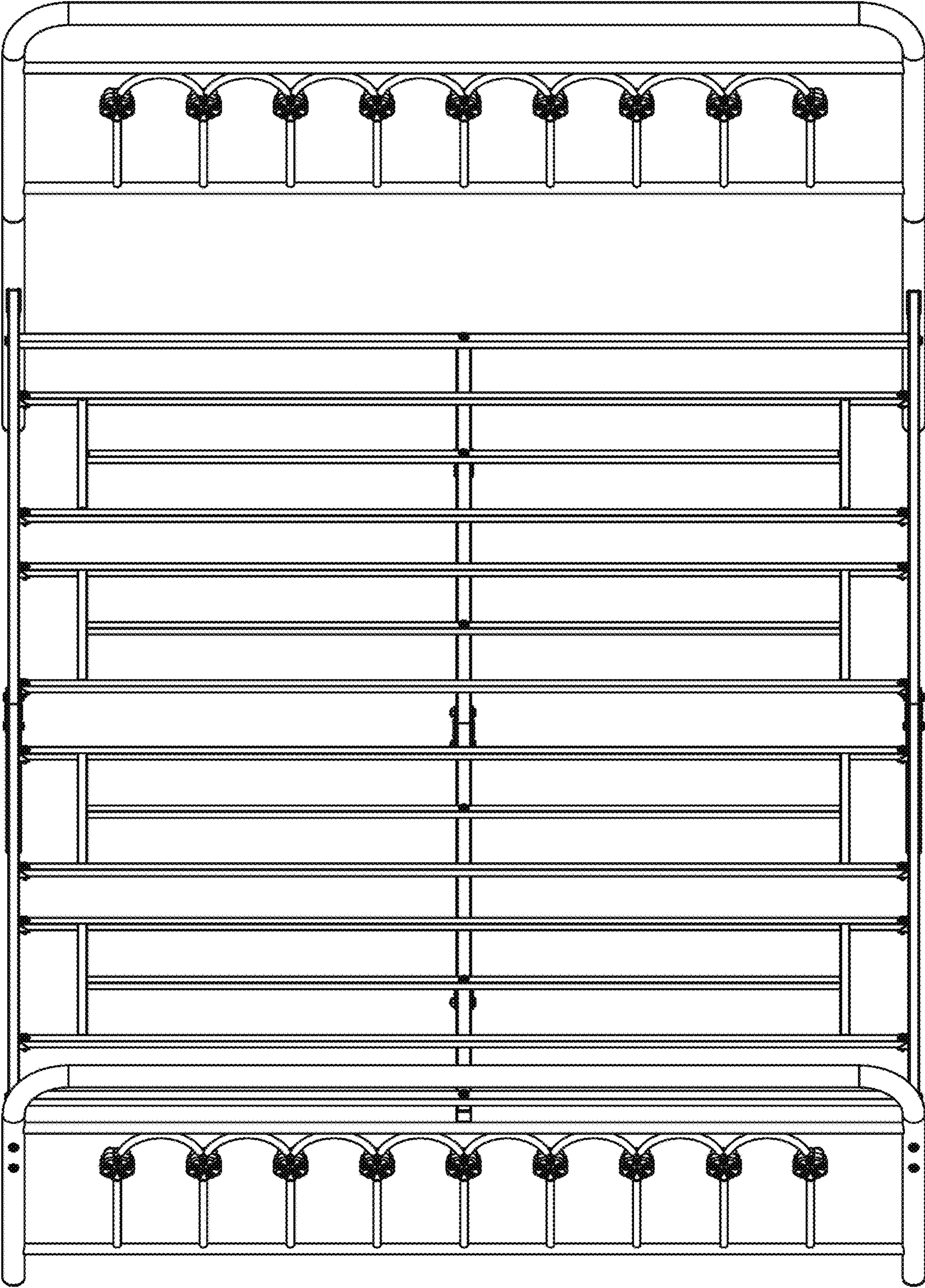


FIG 2

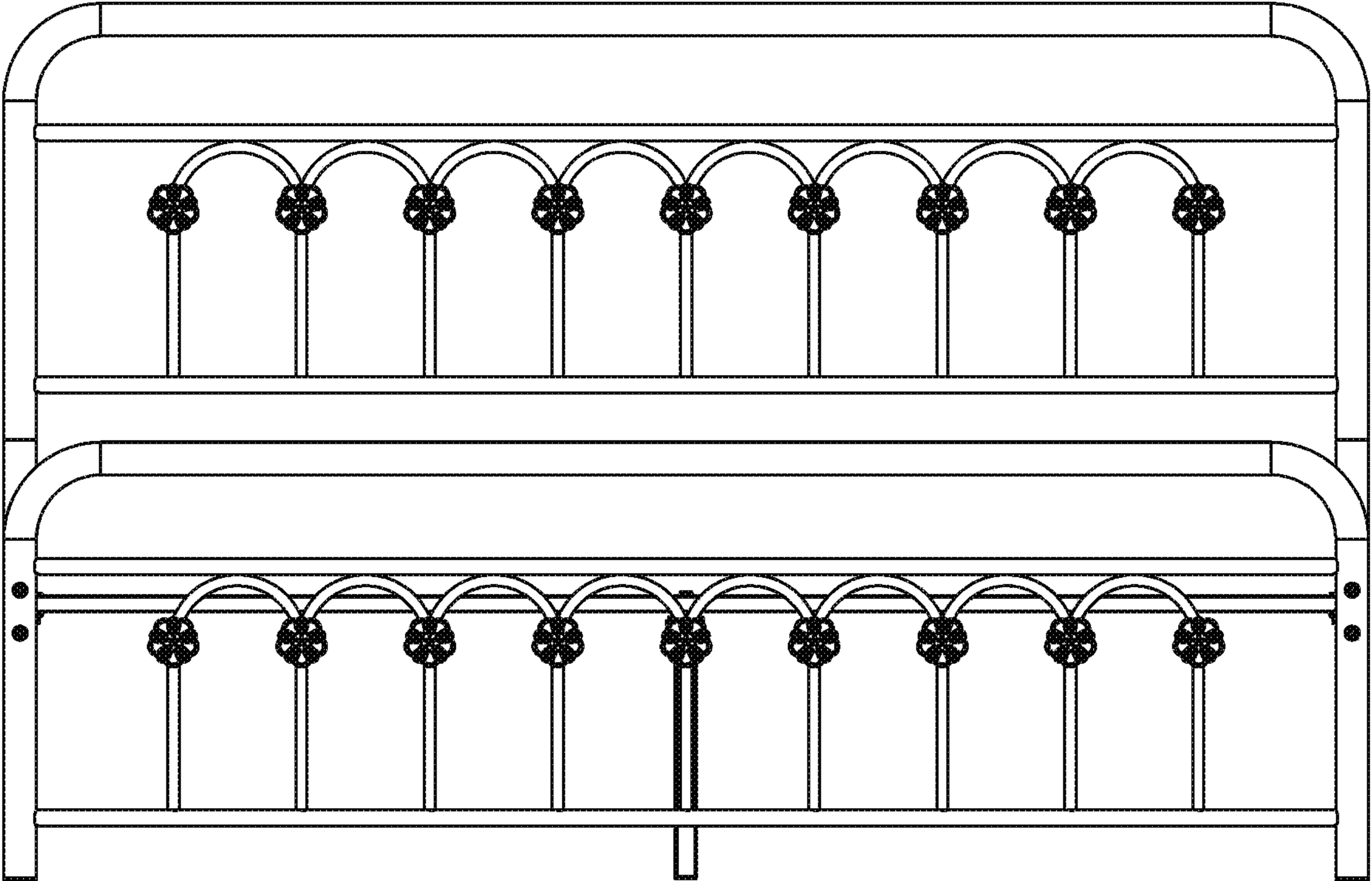


FIG 3

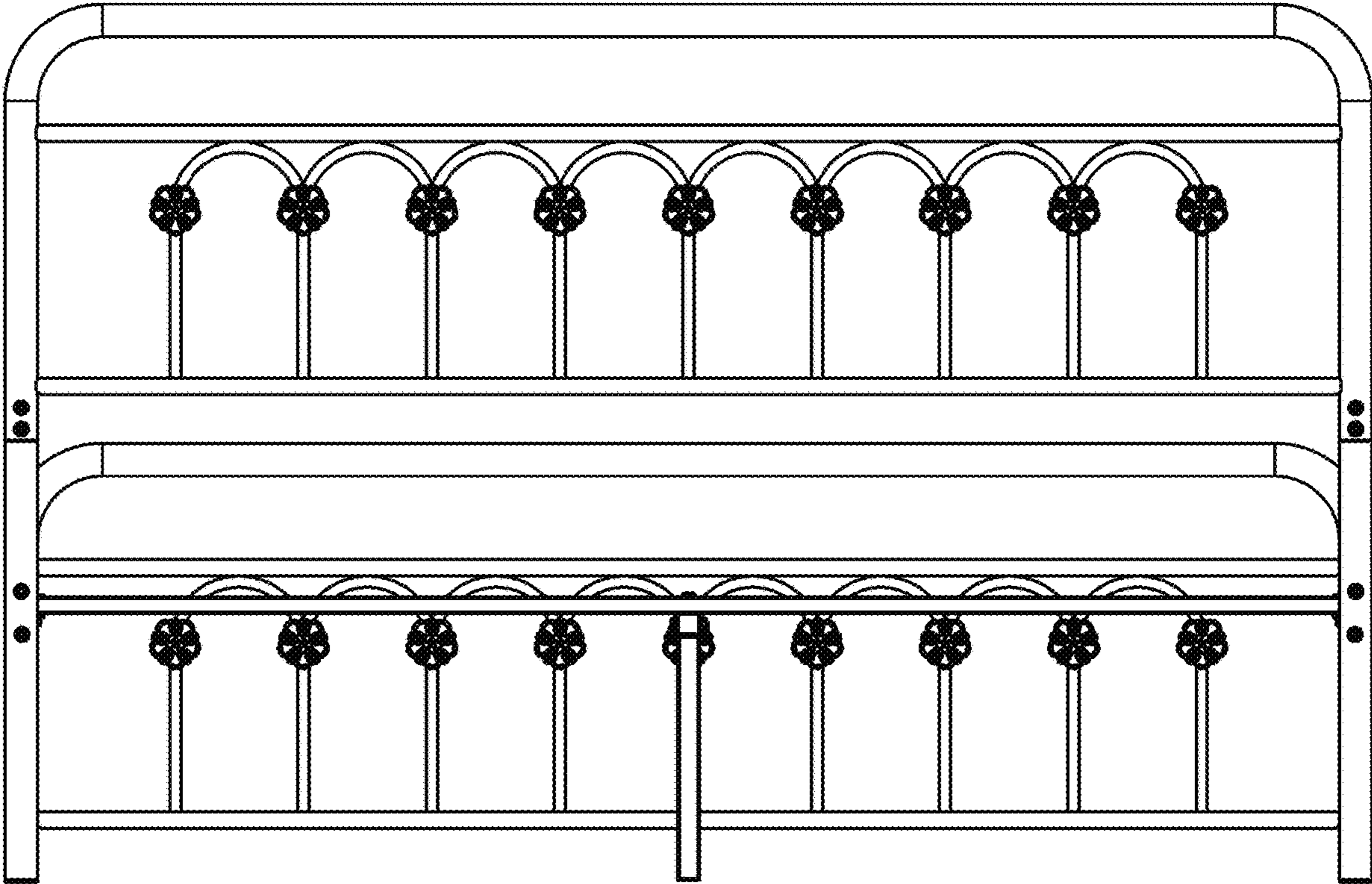


FIG 4

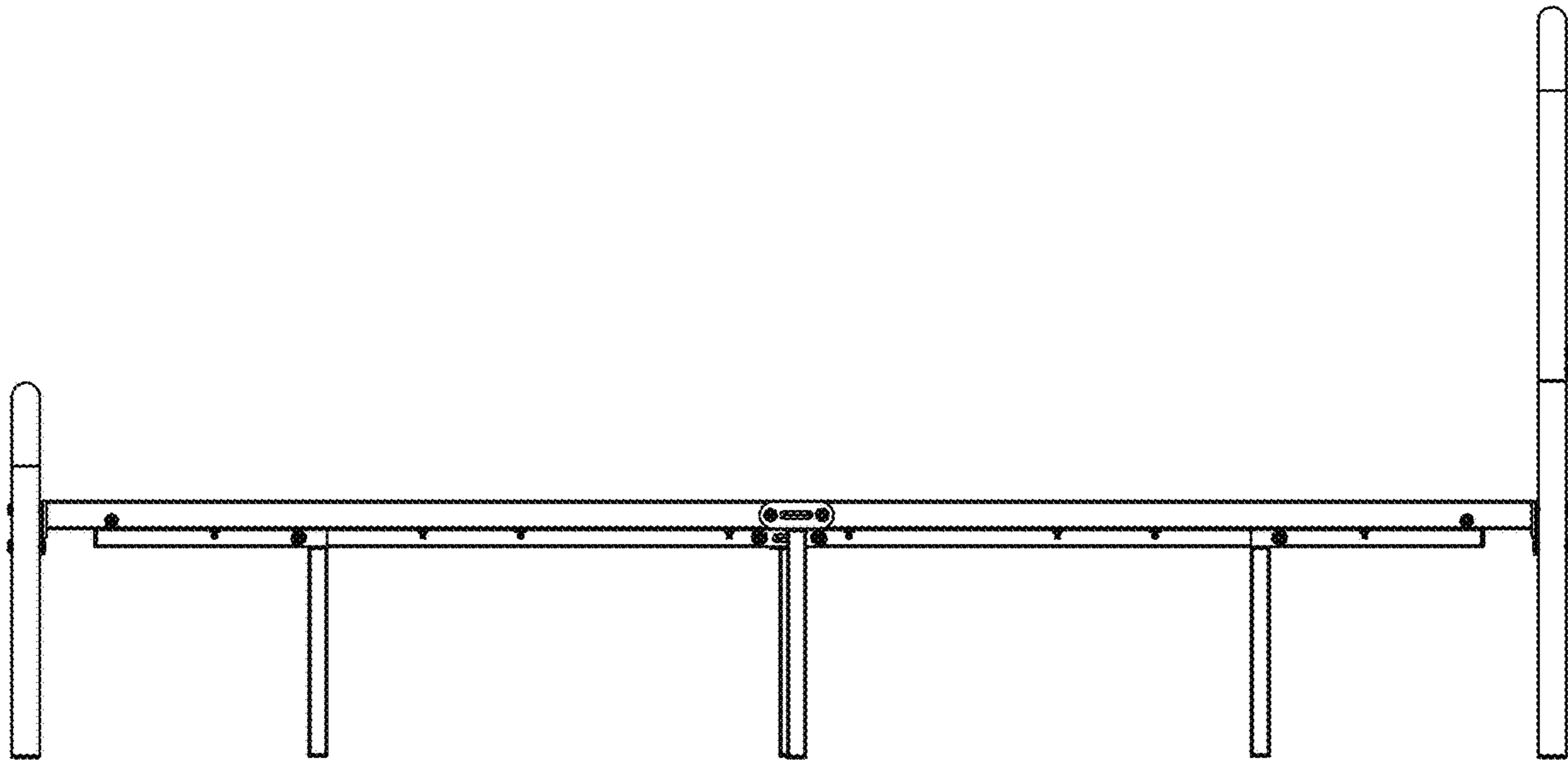


FIG 5

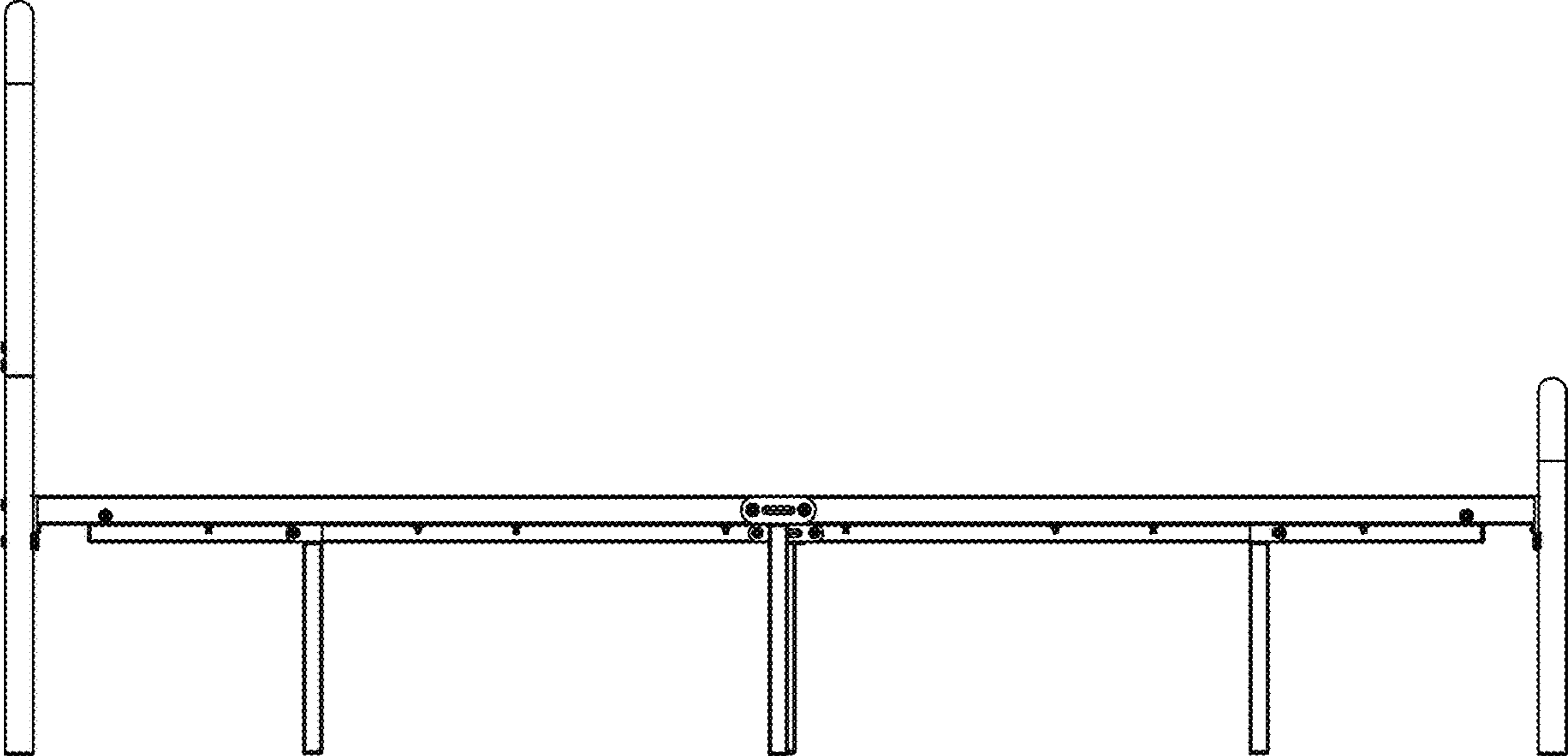


FIG 6

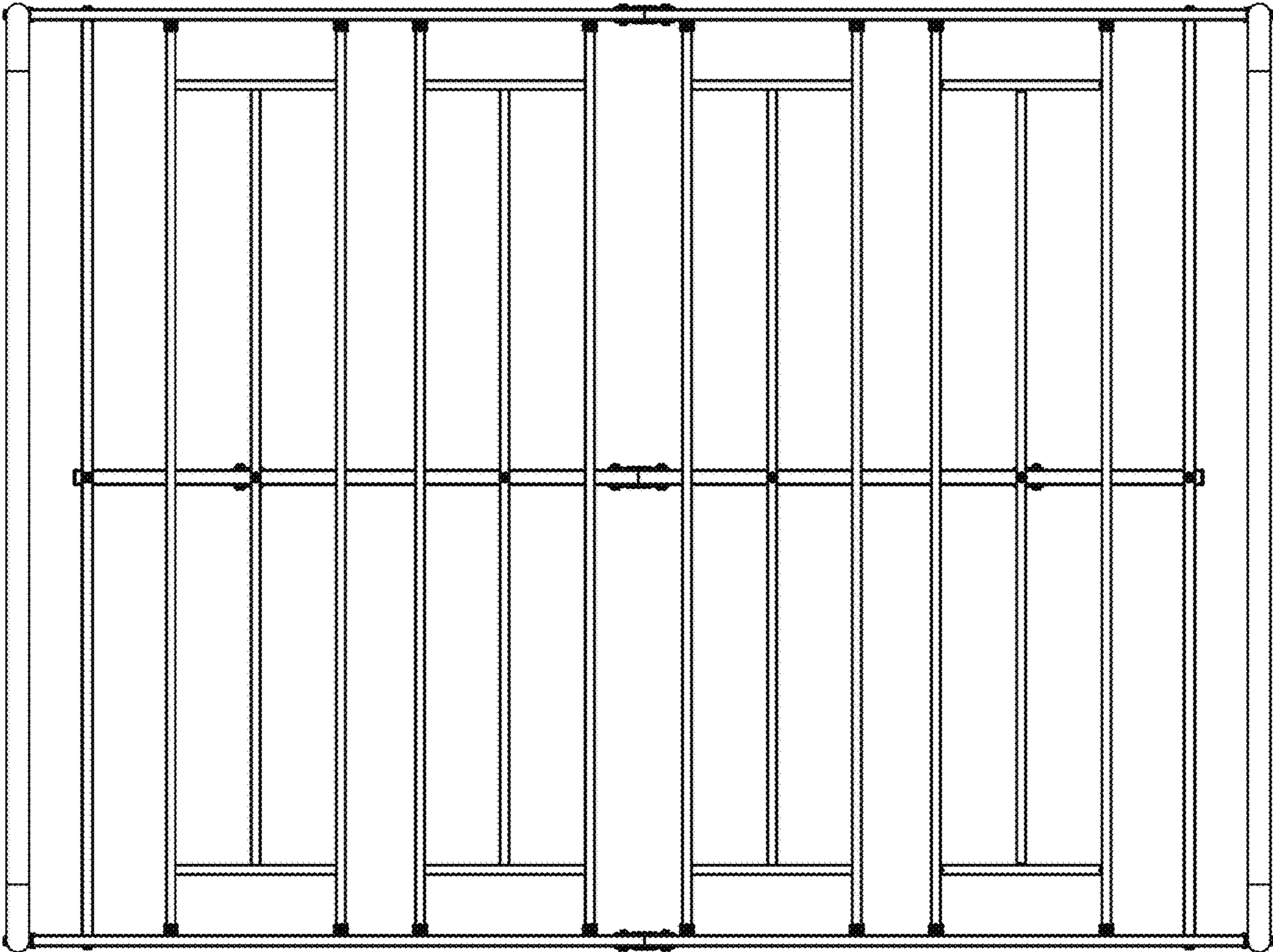


FIG 7

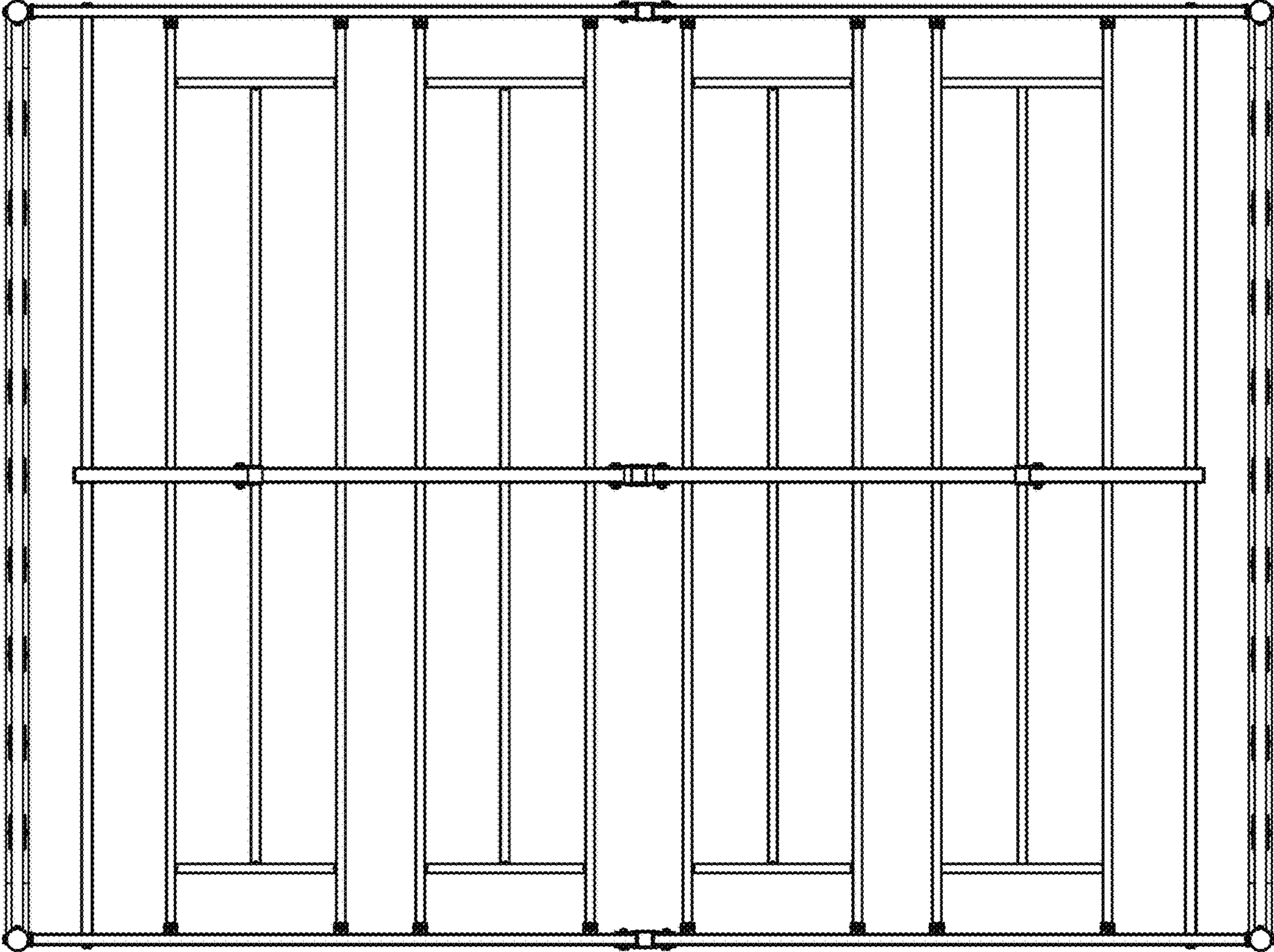


FIG 8