



US00D933992S

(12) **United States Design Patent** (10) **Patent No.:** **US D933,992 S**
Sadove et al. (45) **Date of Patent:** **** Oct. 26, 2021**

(54) **CHAIR**

(71) Applicant: **Williams-Sonoma, Inc.**, San Francisco, CA (US)

(72) Inventors: **Laurie Sadove**, New York, NY (US);
Sandra Capasso, Brooklyn, NY (US)

(73) Assignee: **Williams-Sonoma, Inc.**, San Francisco, CA (US)

(**) Term: **15 Years**

(21) Appl. No.: **29/746,748**

(22) Filed: **Aug. 17, 2020**

(51) **LOC (13) Cl.** **06-01**

(52) **U.S. Cl.**
USPC **D6/380**

(58) **Field of Classification Search**

USPC D6/333, 334, 341, 348, 349, 350, 352, D6/353, 360, 364, 369, 370, 371, 373, D6/374, 375, 376, 377, 379, 380, 390, D6/677, 692, 700, 708, 708.16, 716; D16/237; D21/412, 419, 521
CPC A47C 1/124; A47C 3/34; A47C 4/028; A47C 4/02; A47C 5/12; A47C 5/125; A47C 7/506; A47C 9/007; A47C 13/005; A47C 13/023; A47C 31/113; A47C 31/02; A47C 5/06; A47C 5/08; B60R 2/0284; B60R 2/062; B60R 2/22; B60R 2/001; B60R 2/24; B60R 2/28; B60R 2/58; B60R 2/64; B60R 2/68; B60R 2/80; B60R 2/99; B60R 2/245; B60R 2/643; B60R 2/646; B60R 2/665; B60R 2/686; B60R 2/688; B60R 2/803; B60R 2/986; B60R 2/914; B60R 2/995

See application file for complete search history.

(56) **References Cited**

U.S. PATENT DOCUMENTS

| | | | |
|---------------|---------|-------------------|----------------------|
| D186,658 S * | 11/1959 | Spilman | D6/374 |
| 2,936,024 A * | 5/1960 | Hendrickson | A47C 3/04 297/239 |
| D352,185 S * | 11/1994 | Pagnon | D6/380 |
| D588,826 S * | 3/2009 | Ricchio | D6/360 |
| D629,630 S * | 12/2010 | Saul | D6/380 |
| D630,449 S * | 1/2011 | Kelemer | D6/368 |
| D690,953 S * | 10/2013 | Aiken | D6/380 |
| D724,342 S * | 3/2015 | Pesso | D6/374 |
| D739,663 S * | 9/2015 | Yuglich | D6/380 |
| D741,618 S * | 10/2015 | Haase | D6/380 |
| D763,002 S * | 8/2016 | Moscheri | D6/379 |
| D763,003 S * | 8/2016 | Moscheri | D6/380 |
| D763,004 S * | 8/2016 | Moscheri | D6/380 |
| D805,797 S * | 12/2017 | Toffoloni | D6/380 |
| D821,768 S | 7/2018 | Jones | |
| D831,368 S | 10/2018 | Jones | |
| D834,850 S * | 12/2018 | Davis | D6/380 |
| D859,022 S * | 9/2019 | Jones | D6/374 |
| D863,805 S | 10/2019 | Jones | |
| D877,526 S * | 3/2020 | Vasilev | D6/379 |
| D884,379 S | 5/2020 | Killinger | |
| D893,895 S * | 8/2020 | Traverso | D6/334 |

(Continued)

Primary Examiner — Kevin K Rudzinski

Assistant Examiner — Paul D Bohannon

(74) *Attorney, Agent, or Firm* — Cook Alex Ltd.; R. Blake Johnston

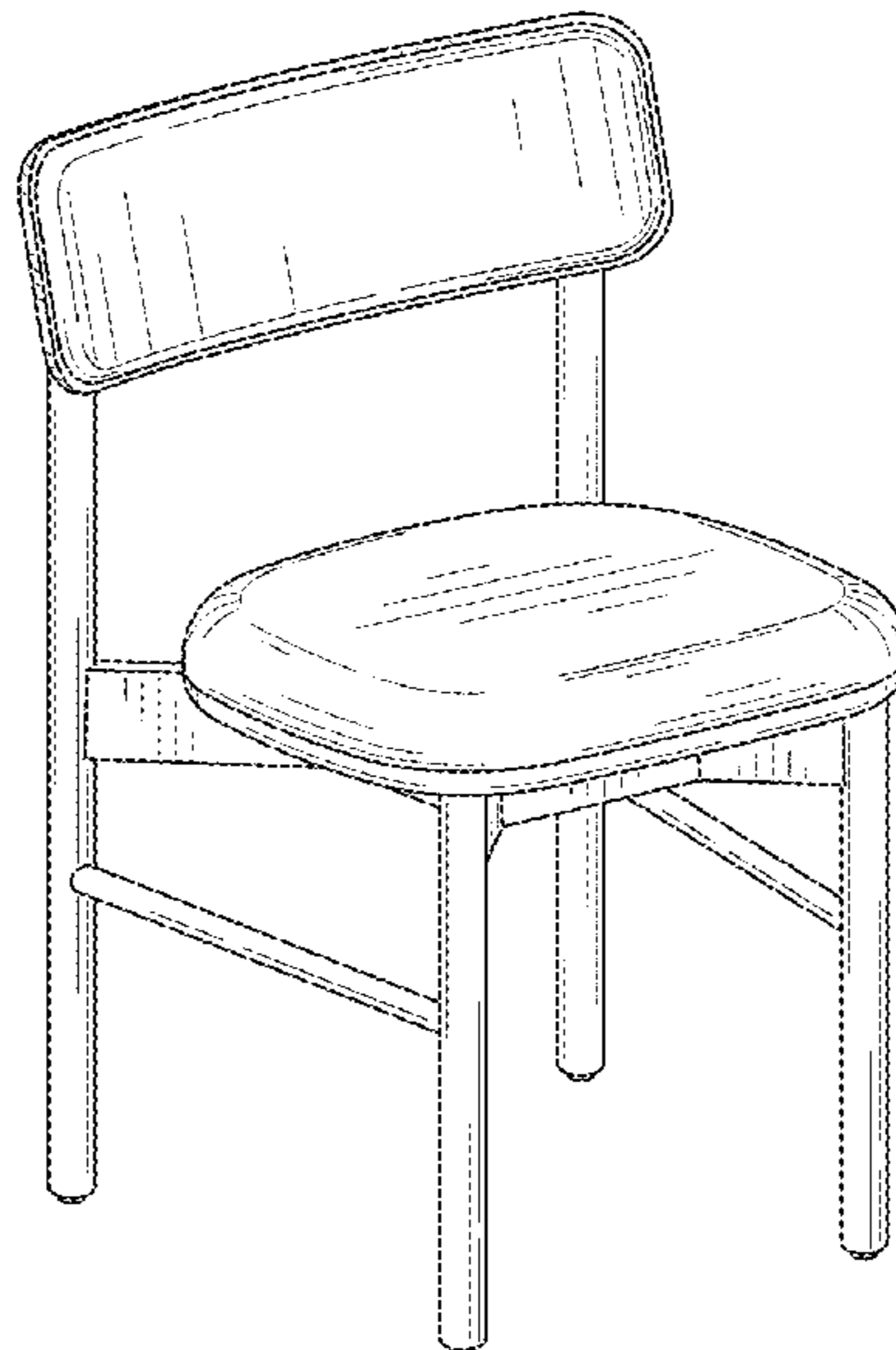
(57) **CLAIM**

The ornamental design for a chair, as shown and described.

DESCRIPTION

FIG. 1 is a perspective view of the chair;
FIG. 2 is a front elevation view thereof;
FIG. 3 is a rear elevation view thereof;
FIG. 4 is a right side elevation view thereof, the opposite side of which is a mirror image;
FIG. 5 is a top plan view thereof; and,
FIG. 6 is a bottom plan view thereof.

1 Claim, 4 Drawing Sheets



(56)

References Cited

U.S. PATENT DOCUMENTS

| | | | | | | |
|----------|---|---|---------|-----------|-------|--------|
| D894,627 | S | * | 9/2020 | Hughes | | D6/374 |
| D894,628 | S | * | 9/2020 | Portillo | | D6/380 |
| D898,401 | S | * | 10/2020 | Tabuchi | | D6/376 |
| D903,362 | S | | 12/2020 | Jones | | |
| D917,911 | S | * | 5/2021 | Jones | | D6/376 |
| D922,087 | S | * | 6/2021 | Li | | D6/380 |
| D924,596 | S | * | 7/2021 | Breinholt | | D6/380 |

* cited by examiner

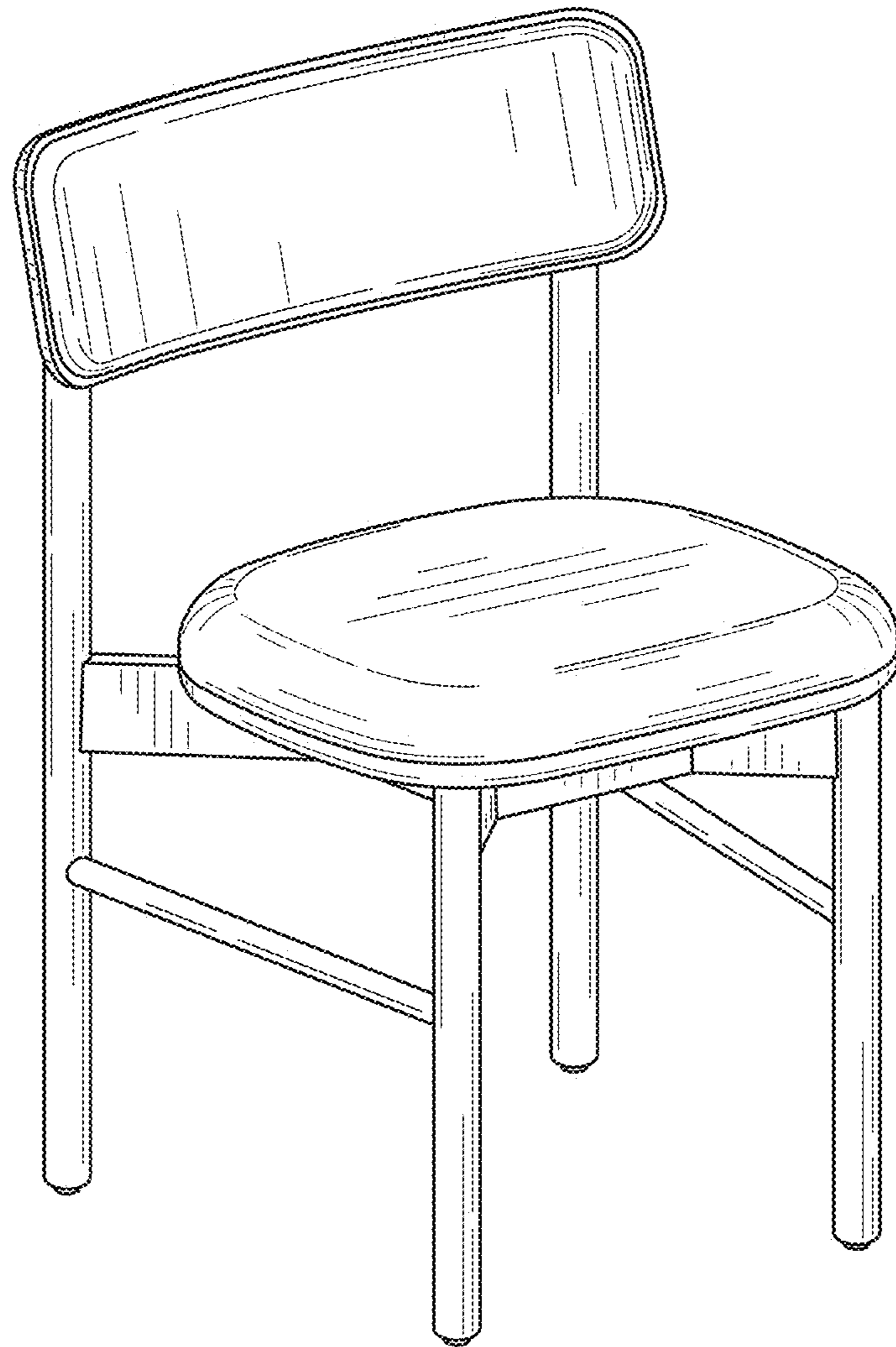


FIG. 1

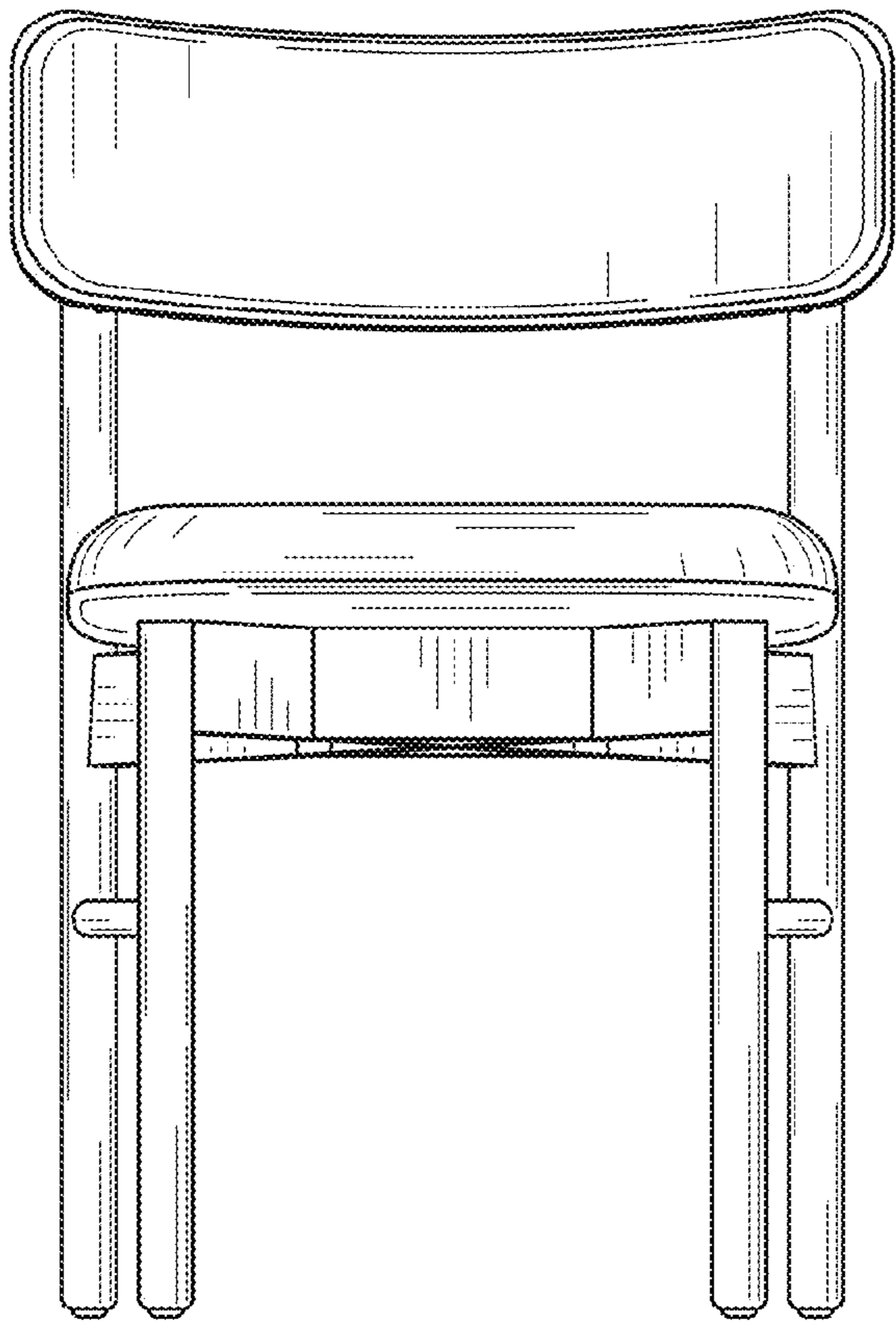


FIG. 2

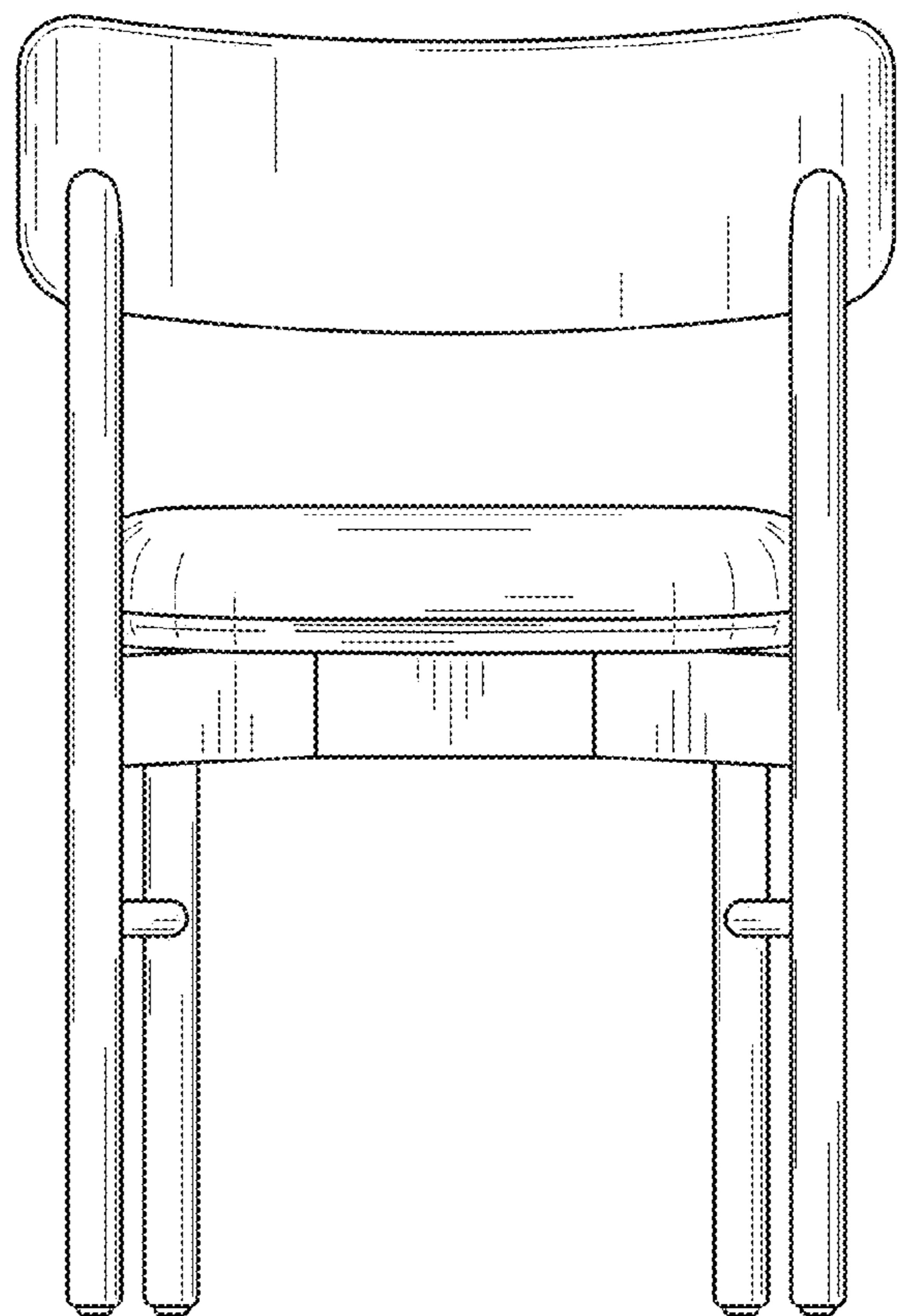


FIG. 3

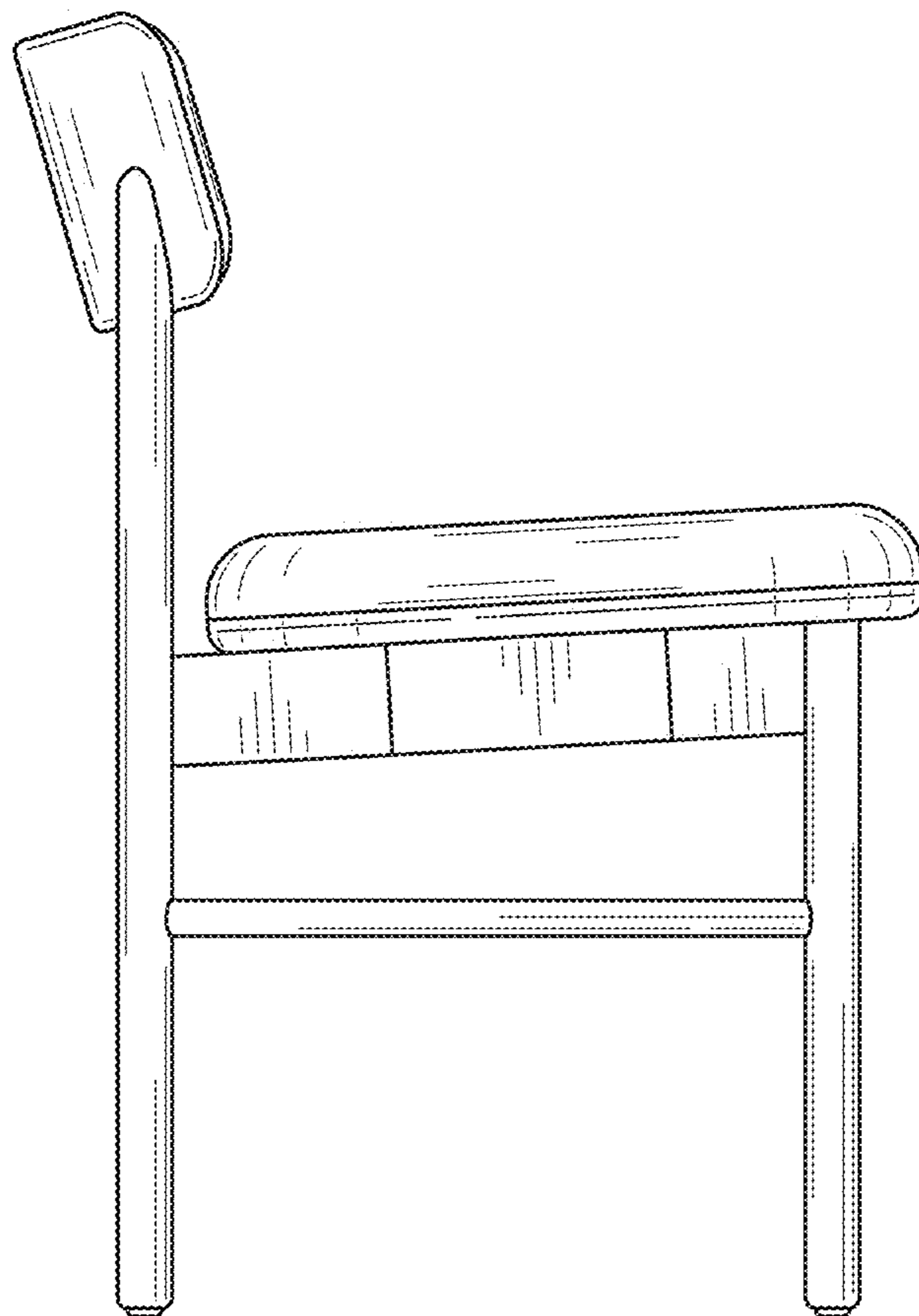


FIG. 4

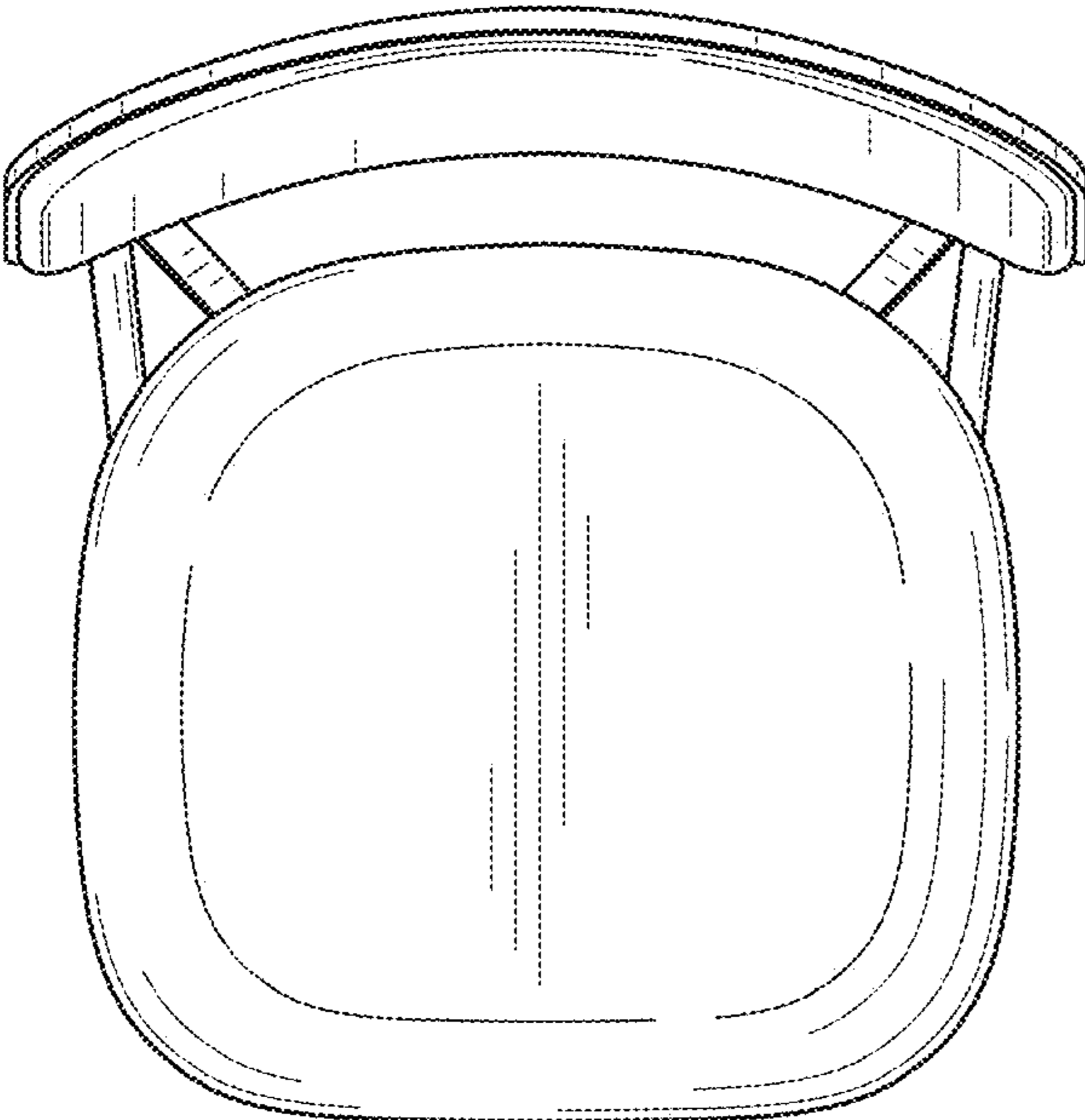


FIG. 5

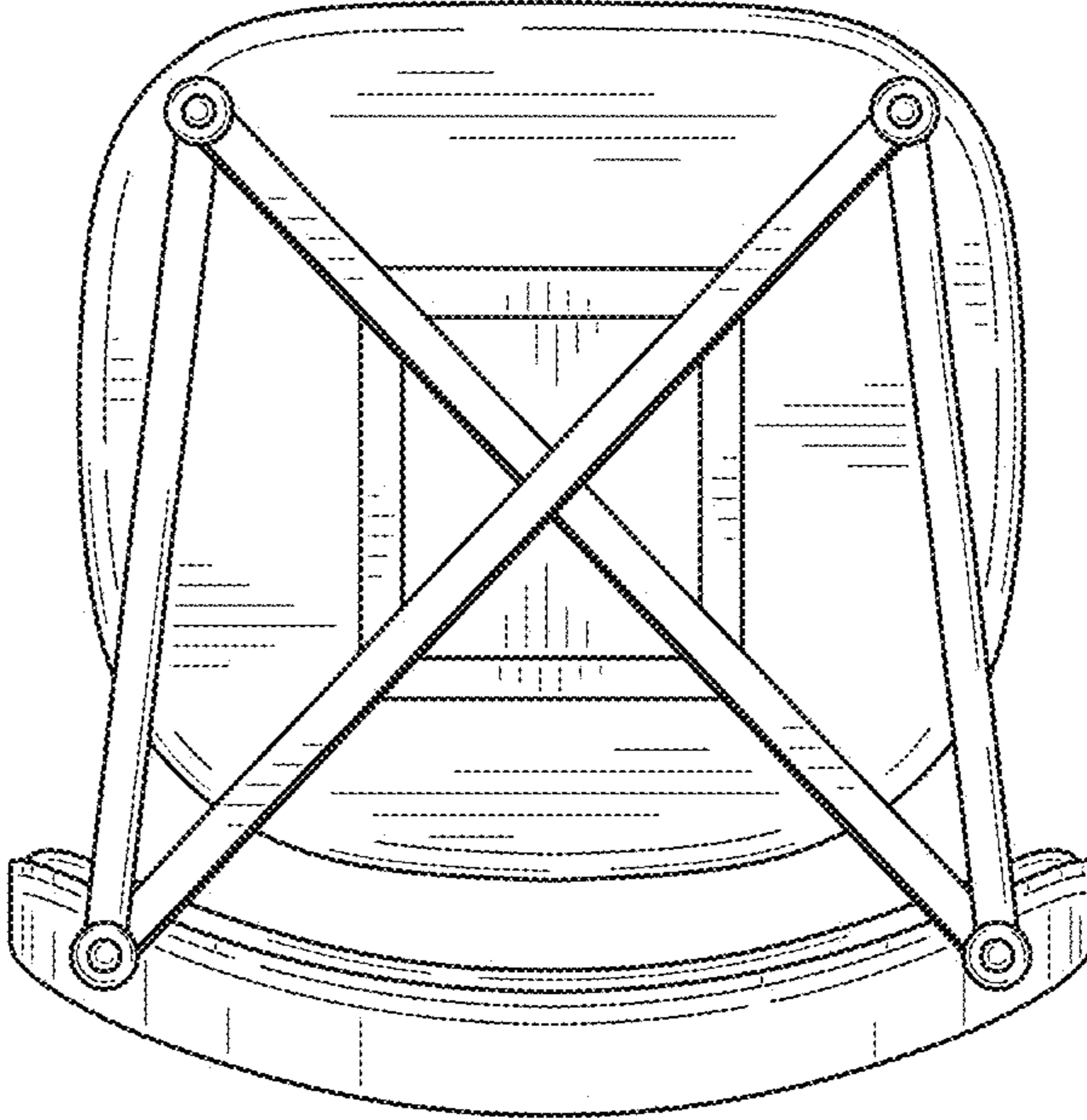


FIG. 6