



US00D933988S

(12) **United States Design Patent** (10) **Patent No.:** **US D933,988 S**  
**Li** (45) **Date of Patent:** **\*\* Oct. 26, 2021**

(54) **CHAIR**

(56) **References Cited**

(71) Applicant: **39F USA INC**, Rancho Cucamonga, CA (US)  
(72) Inventor: **Yuehai Li**, Rancho Cucamonga, CA (US)  
(\*\*) Term: **15 Years**  
(21) Appl. No.: **29/738,095**  
(22) Filed: **Jun. 15, 2020**  
(51) **LOC (13) Cl.** ..... **06-01**  
(52) **U.S. Cl.**  
USPC ..... **D6/374**  
(58) **Field of Classification Search**  
USPC ..... D6/333, 334, 341, 348, 349, 350, 352, D6/353, 360, 364, 369, 370, 371, 373, D6/374, 375, 376, 377, 379, 380, 390, D6/677, 692, 700, 708, 708.16, 716; D16/237; D21/412, 419, 521  
CPC ..... A47C 1/124; A47C 3/34; A47C 4/028; A47C 4/02; A47C 5/12; A47C 5/125; A47C 7/506; A47C 9/007; A47C 13/005; A47C 13/023; A47C 31/113; A47C 31/02; A47C 5/06; A47C 5/08; B60R 2/0284; B60R 2/062; B60R 22/001; B60R 22/24; B60R 22/28; B60R 22/58; B60R 22/64; B60R 22/68; B60R 22/80; B60R 22/99; B60R 22/245; B60R 22/643; B60R 22/646; B60R 22/665; B60R 22/686; B60R 22/688; B60R 22/803; B60R 22/986; B60R 22/914; B60R 22/995  
See application file for complete search history.

U.S. PATENT DOCUMENTS

D189,347 S *	11/1960	Chapman et al. ....	D6/375
D255,184 S *	6/1980	Locher .....	D6/375
D362,968 S *	10/1995	Mourgue .....	D6/334
D502,331 S *	3/2005	Socha, Jr. ....	D6/374
D648,560 S *	11/2011	Sandona .....	D6/375
D854,848 S *	7/2019	Palomba .....	D6/374
D862,103 S *	10/2019	Hertzog .....	D6/376
D863,805 S *	10/2019	Jones .....	D6/374
D906,700 S *	1/2021	Li .....	D6/334
D907,933 S *	1/2021	Li .....	D6/334
D919,317 S *	5/2021	Von Lotzbeck .....	D6/376
D920,692 S *	6/2021	Li .....	D6/360

\* cited by examiner

*Primary Examiner* — Kevin K Rudzinski  
*Assistant Examiner* — Paul D Bohannon  
(74) *Attorney, Agent, or Firm* — Feng Qian

(57) **CLAIM**

The ornamental design for a chair, as shown and described.

**DESCRIPTION**

FIG. 1 is a front perspective view of a chair showing my new design;  
FIG. 2 is a front elevation view thereof;  
FIG. 3 is a rear elevation view thereof;  
FIG. 4 is a left-side elevation view thereof;  
FIG. 5 is a right-side elevation view thereof;  
FIG. 6 is a top plan view thereof; and,  
FIG. 7 is a bottom plan view thereof.

**1 Claim, 7 Drawing Sheets**

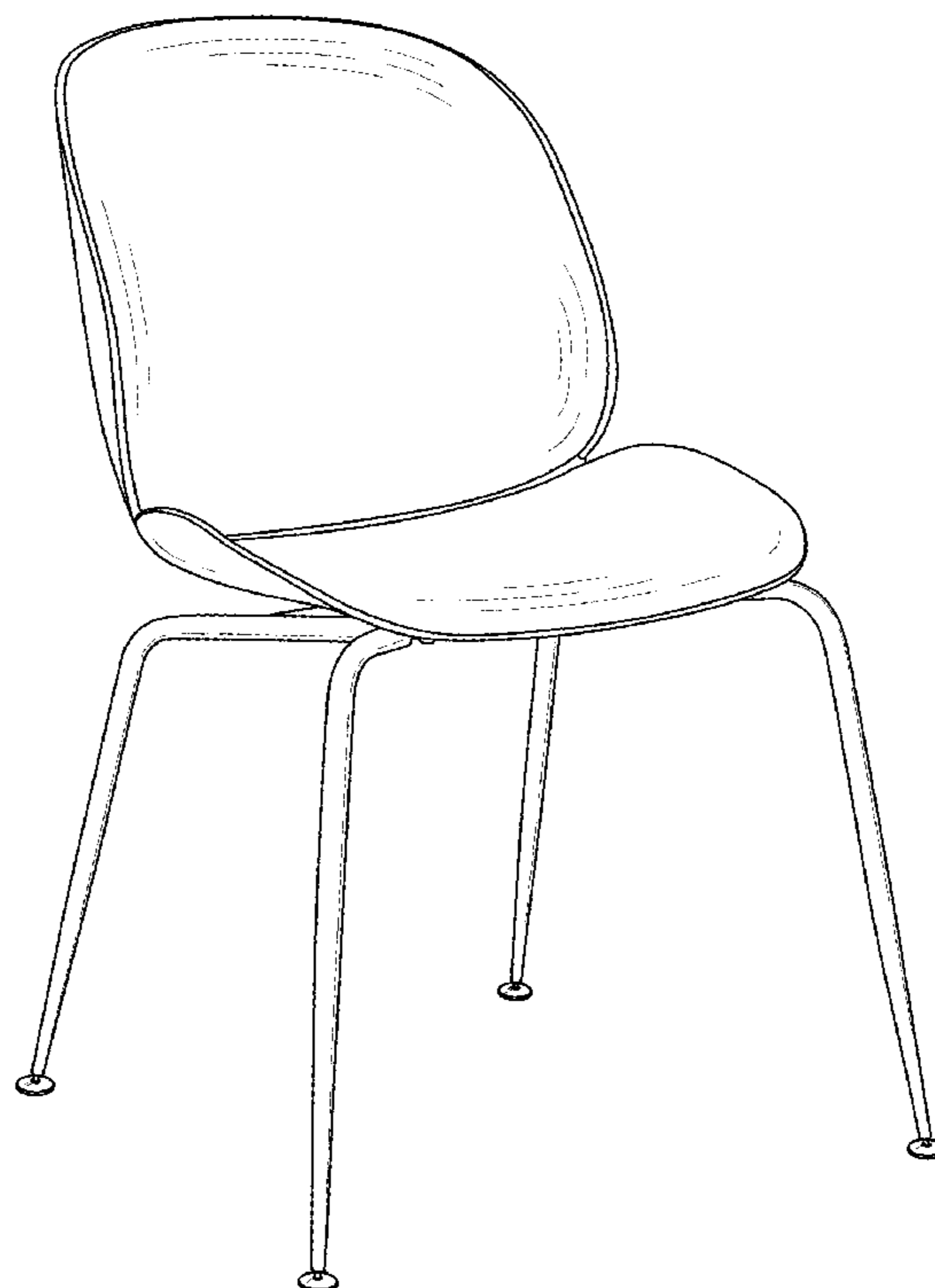




Fig.1

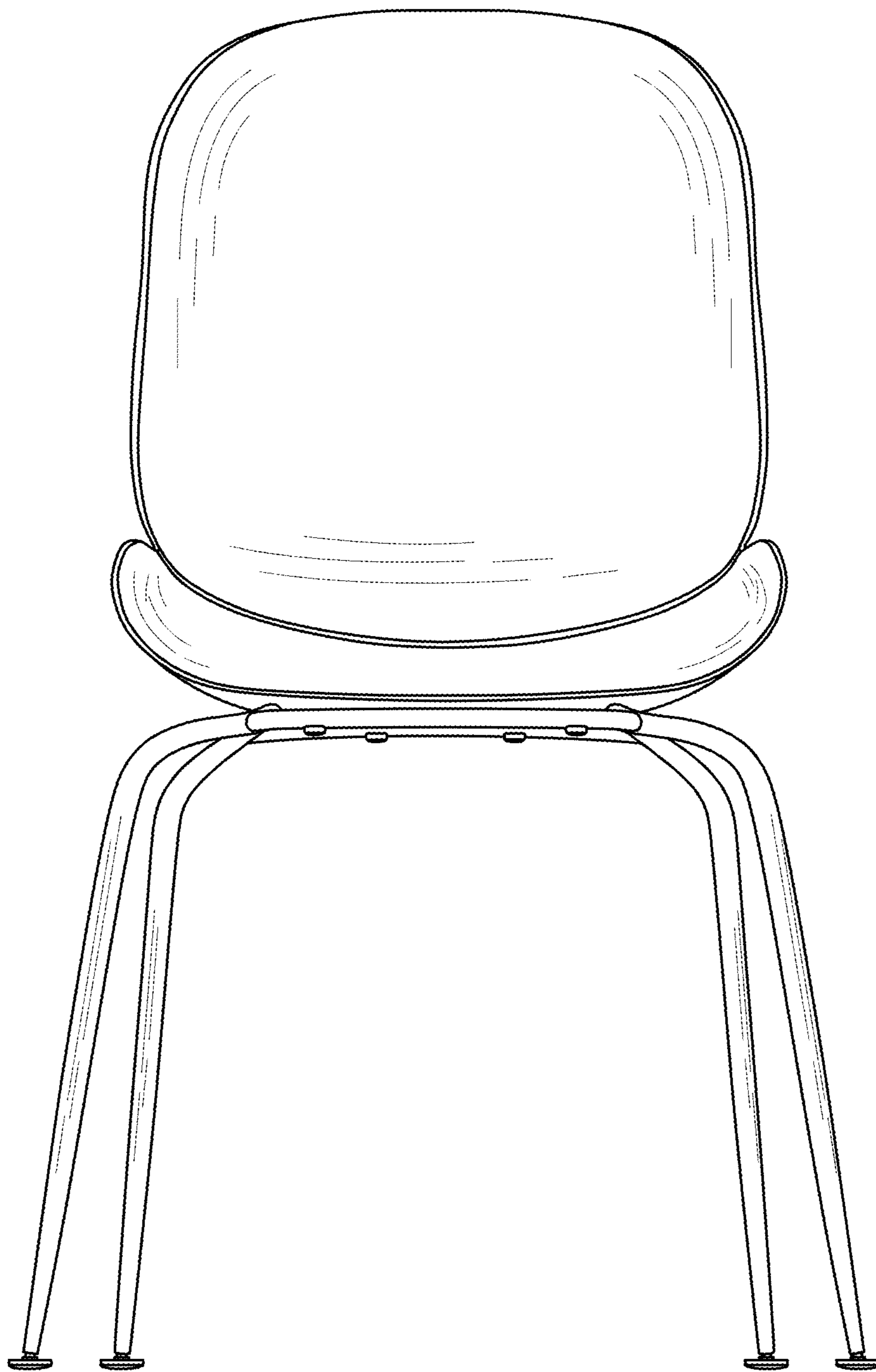


Fig.2

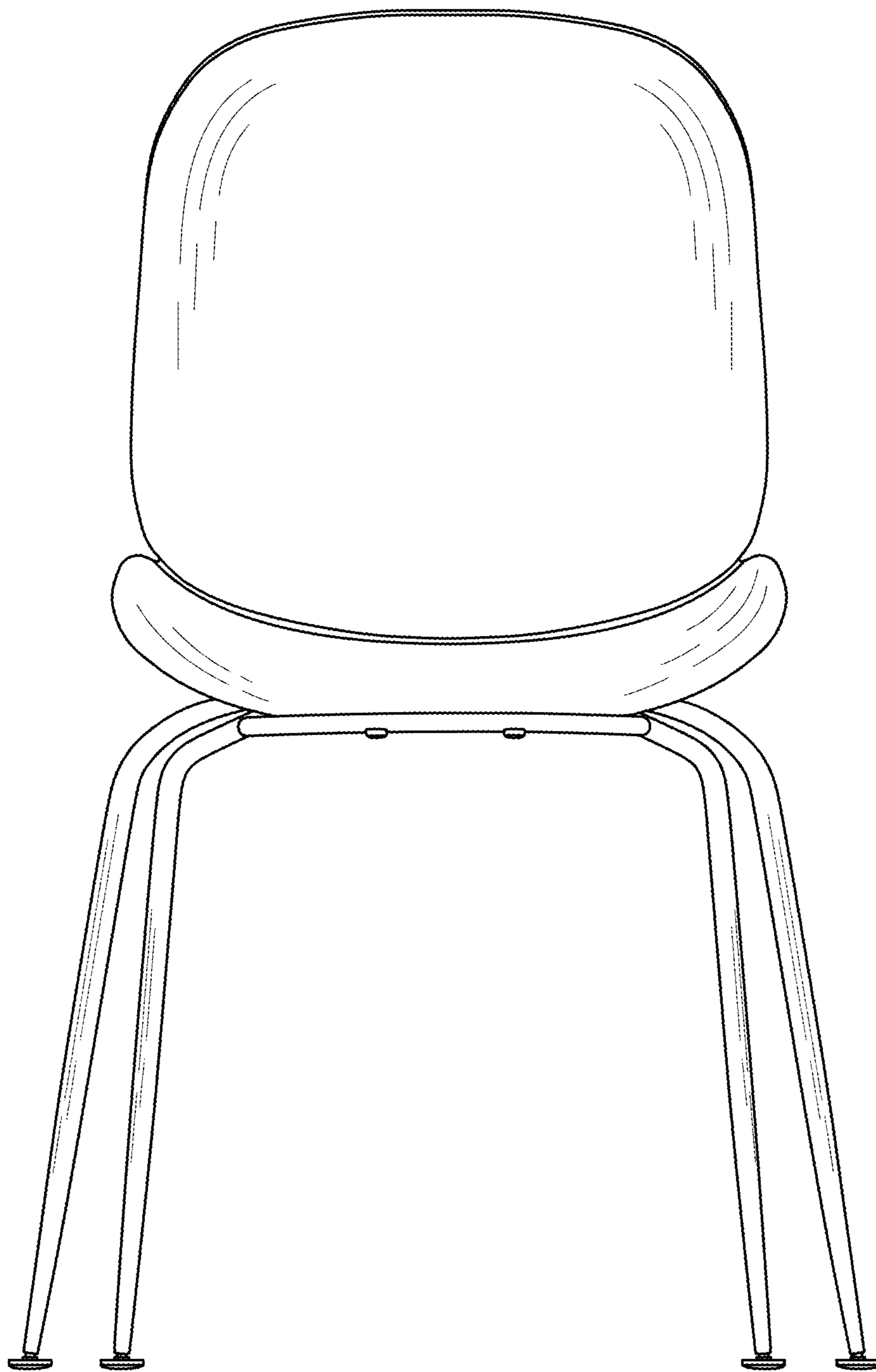


Fig.3

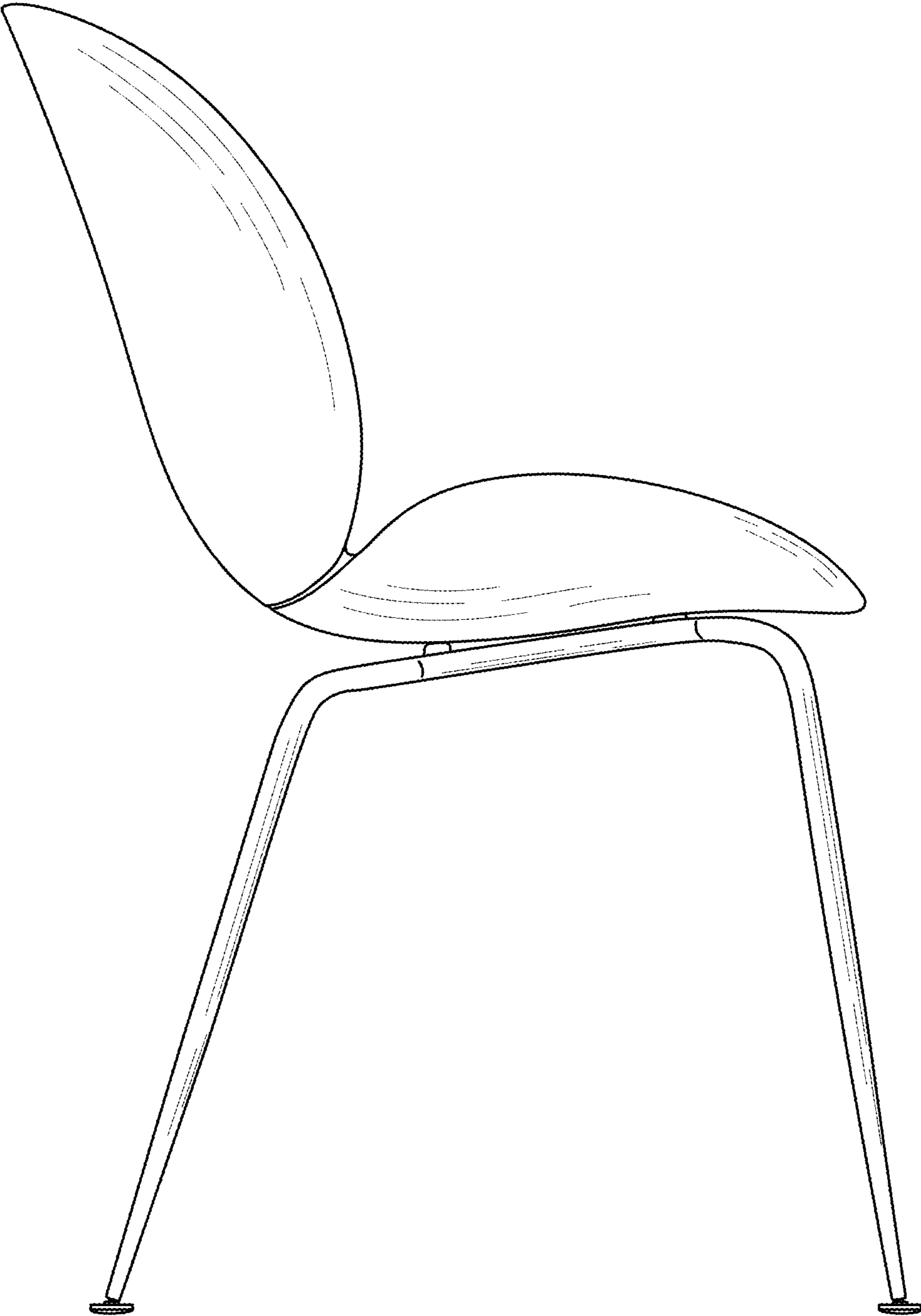


Fig.4

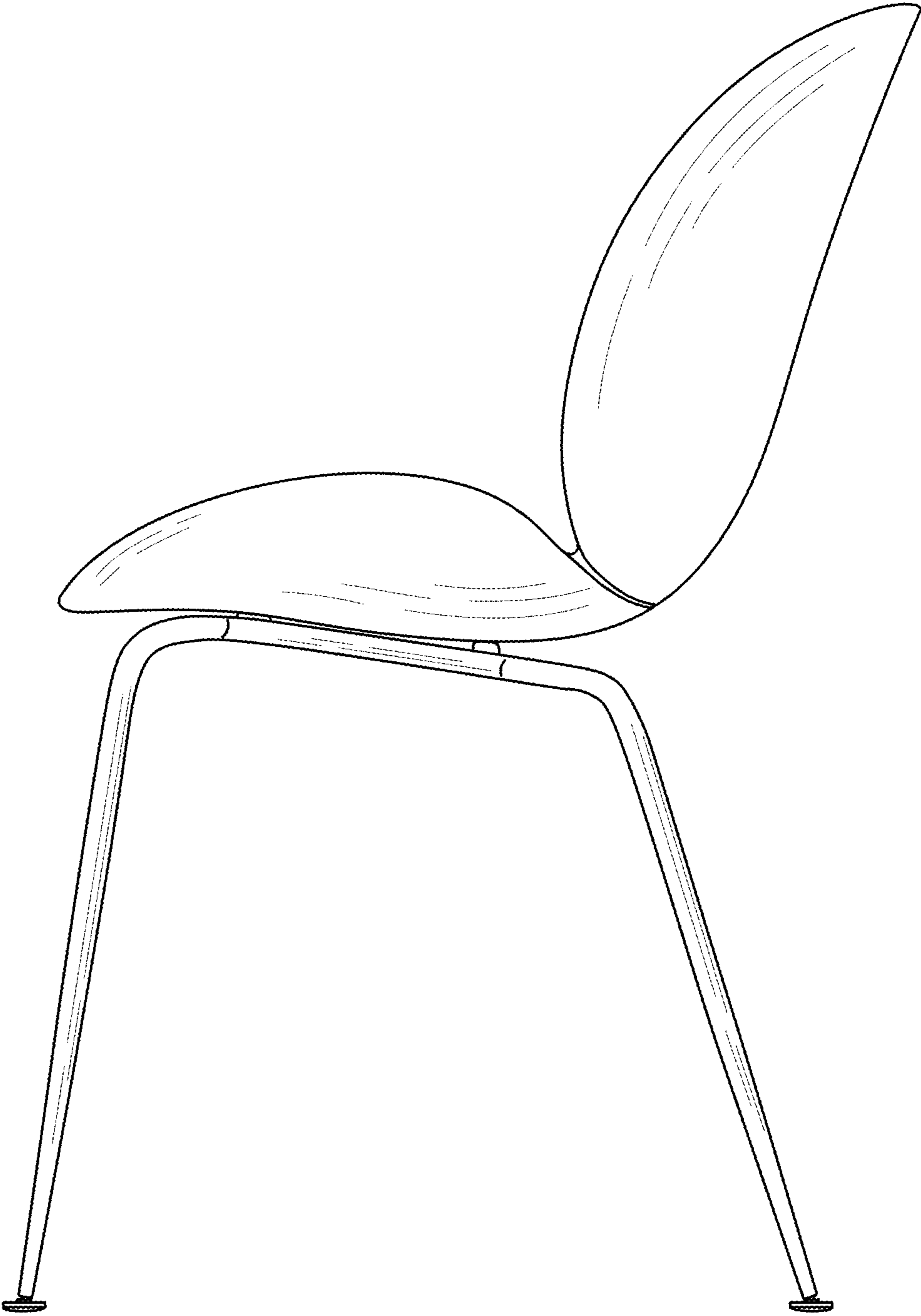


Fig.5



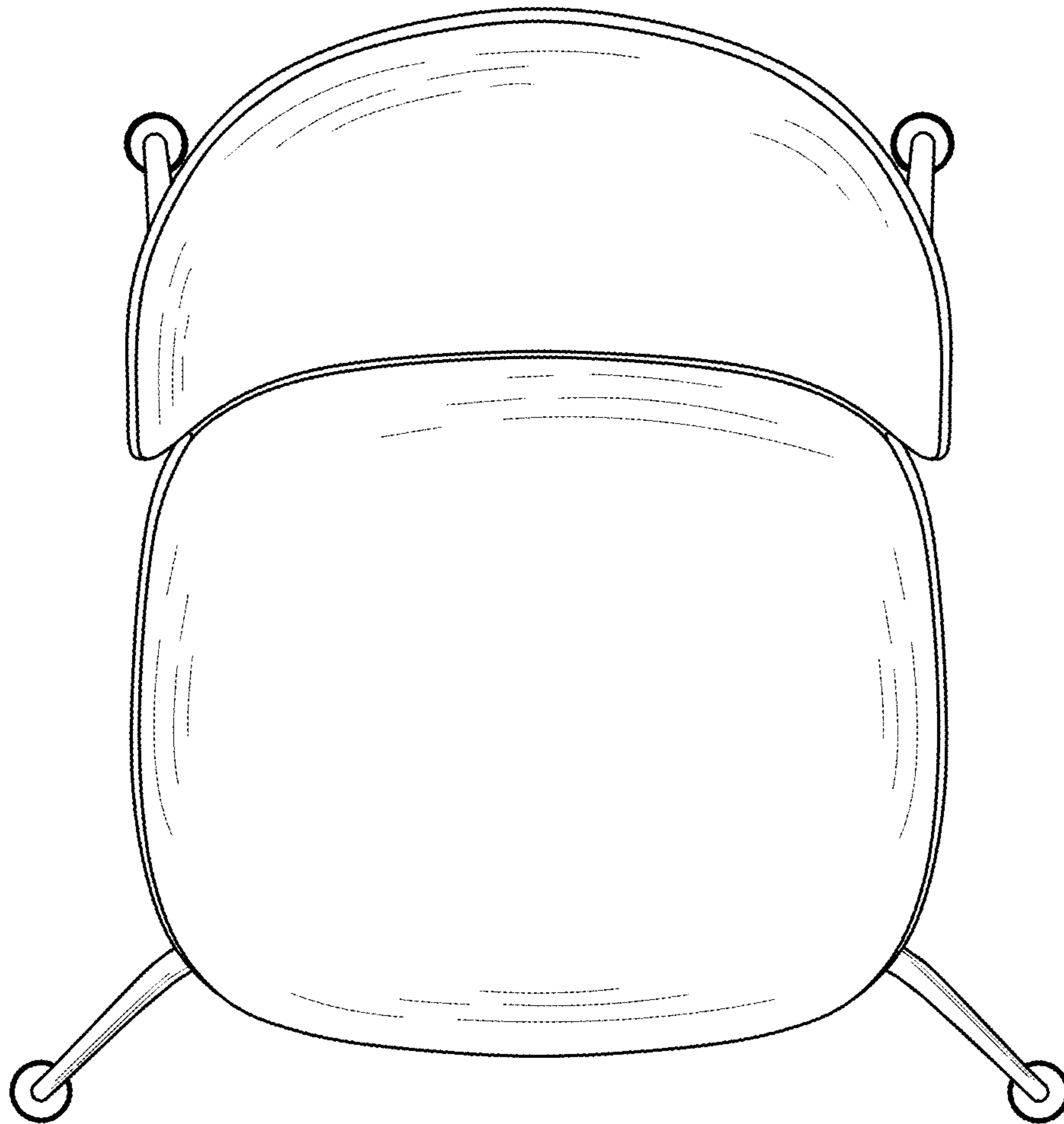


Fig.6

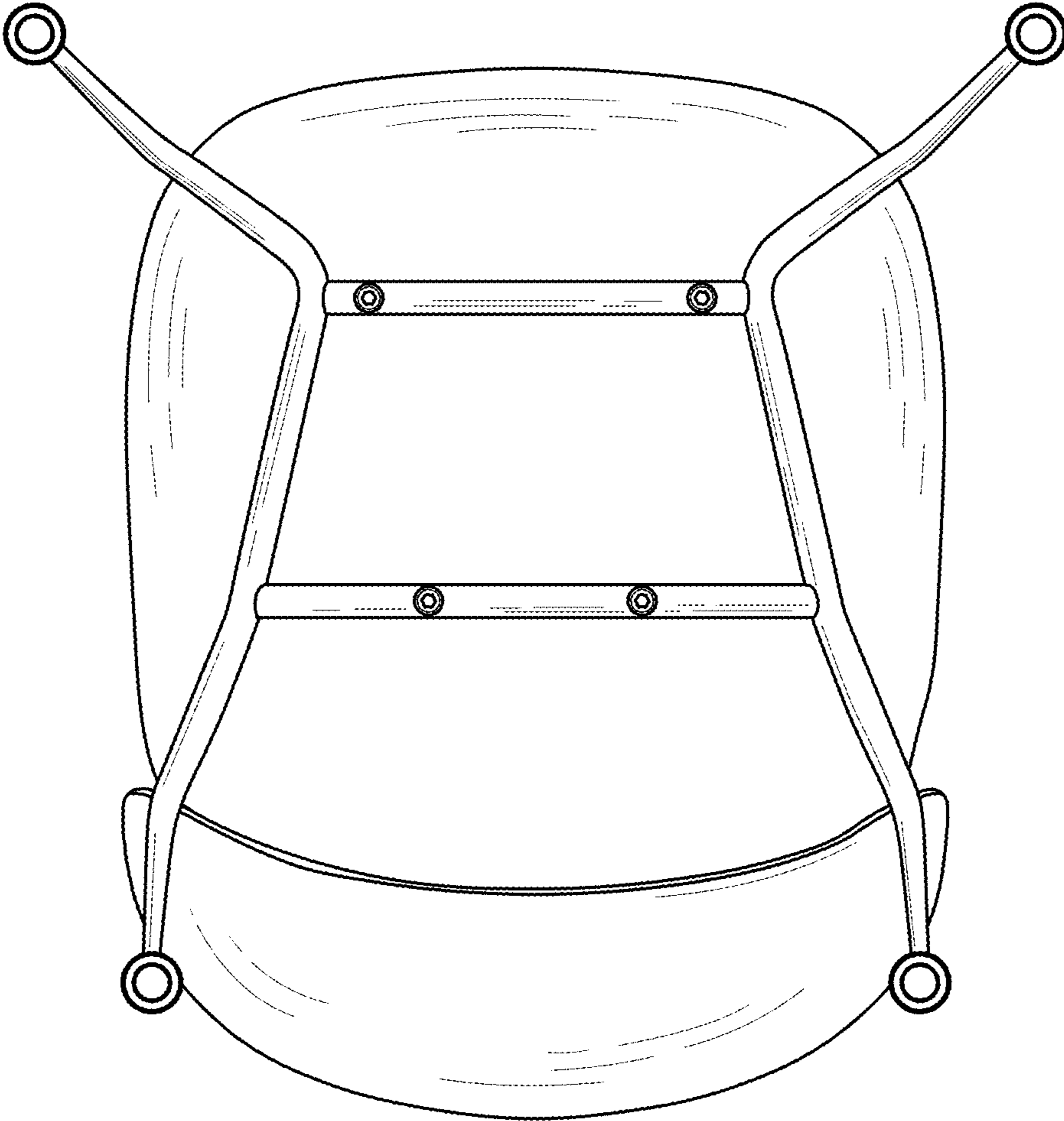


Fig.7