



US00D933986S

(12) **United States Design Patent** (10) **Patent No.:** **US D933,986 S**  
**Hsu Besner et al.** (45) **Date of Patent:** **\*\* Oct. 26, 2021**

(54) **CHAIR**  
(71) Applicant: **Sunflow, Inc.**, Short Hills, NJ (US)  
(72) Inventors: **Leslie Hsu Besner**, Short Hills, NJ (US); **Jeffrey Servaites**, Oakland, CA (US); **Yves Behar**, Oakland, CA (US); **Qin Li**, San Francisco, CA (US); **Brandon Heiman**, Portland, OR (US); **Bradley Feild Craddock**, San Francisco, CA (US); **Matthew Pempkowski**, Port Murray, NJ (US)

D376,060 S 12/1996 Cohen  
D388,968 S 1/1998 de Visser  
D412,251 S \* 7/1999 Tseng ..... D6/375  
D412,407 S \* 8/1999 Tseng ..... D6/368  
6,056,172 A 5/2000 Welsh  
D468,920 S \* 1/2003 Striebel ..... D6/368  
D528,314 S 9/2006 Roani  
D547,960 S 8/2007 Nelson, Sr.  
D547,981 S 8/2007 Cohen  
D571,113 S 6/2008 Cohen  
D571,115 S 6/2008 Cohen

(Continued)

**FOREIGN PATENT DOCUMENTS**

(73) Assignee: **Sunflow, Inc.**, Short Hills, NJ (US)  
(\*\*) Term: **15 Years**

TW 541007 S 7/2003  
TW M500503 U 5/2015

**OTHER PUBLICATIONS**

(21) Appl. No.: **29/705,703**  
(22) Filed: **Sep. 13, 2019**  
(51) **LOC (13) Cl.** ..... **06-01**  
(52) **U.S. Cl.**  
USPC ..... **D6/368**  
(58) **Field of Classification Search**  
USPC ..... D6/334-336, 367, 368, 371, 373, 375,  
D6/379, 380, 716, 716.1, 716.2, 716.3,  
D6/716.4, 709, 709.2, 708.16  
CPC .... A47C 4/22; A47C 4/28; A47C 4/30; A47C  
4/38; A47C 4/40; A47C 4/42; A47C 4/44;  
A47C 4/46; A47C 4/50; A47C 5/043;  
A47C 5/06; A47C 5/10  
See application file for complete search history.

[No Author Listed] Beach and Pool Sun and Sand Chair. Telescope Casual Furniture. <https://www.telescopecasual.com/product/421/>. Publicly available at least as early as Sep. 4, 2019. 8 pages.

(Continued)

*Primary Examiner* — Mimosa De  
(74) *Attorney, Agent, or Firm* — Wolf, Greenfield & Sacks, P.C.

(57) **CLAIM**

The ornamental design for a chair, as shown and described.

**DESCRIPTION**

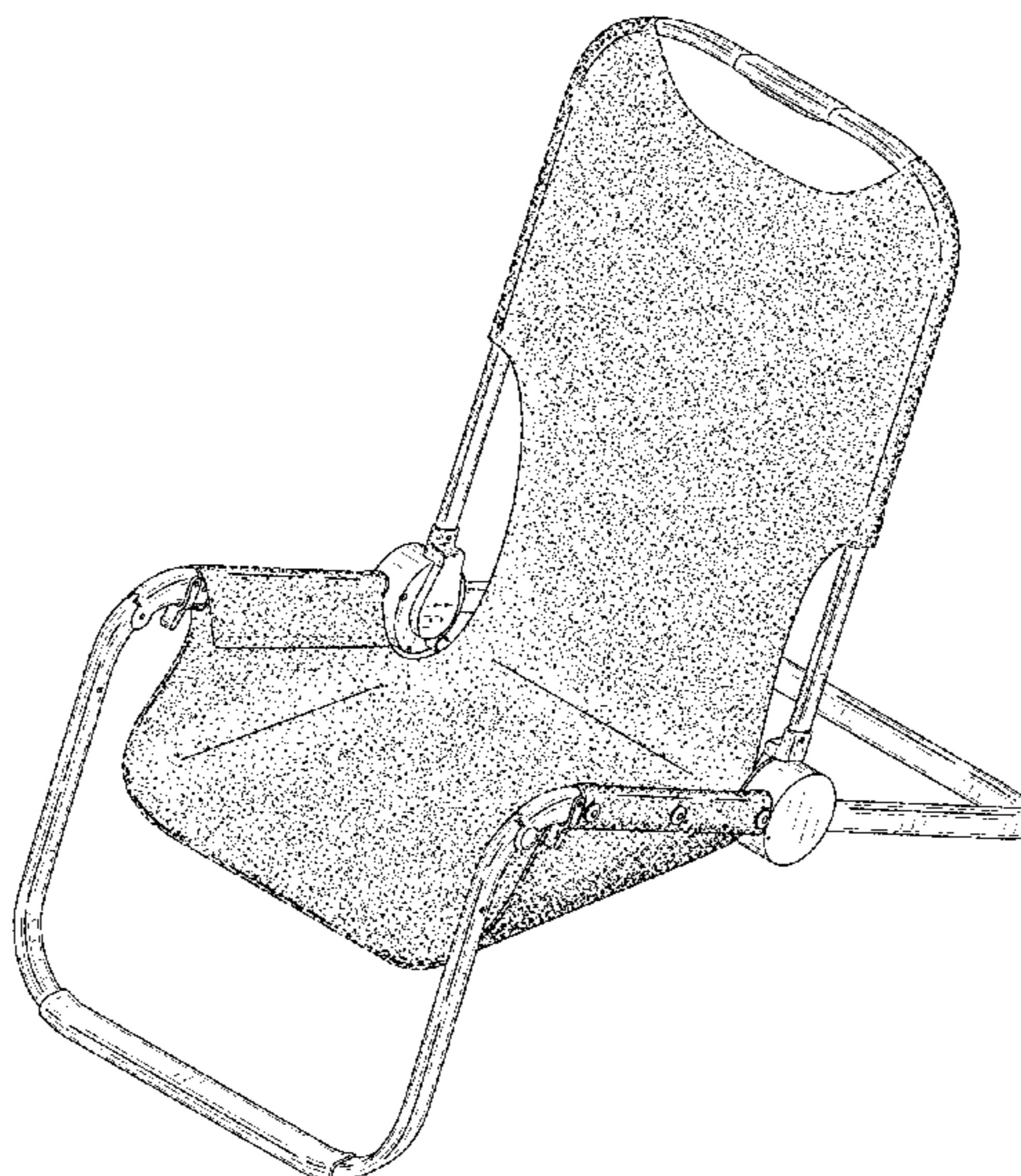
FIG. 1 is a top, front, right side perspective view of a chair according to our new design;  
FIG. 2 is a rear elevation view thereof;  
FIG. 3 is a left side elevation view thereof;  
FIG. 4 is a front elevation view thereof;  
FIG. 5 is a right side elevation view thereof;  
FIG. 6 is a top plan view thereof; and,  
FIG. 7 is a bottom plan view thereof.

**1 Claim, 4 Drawing Sheets**

(56) **References Cited**

**U.S. PATENT DOCUMENTS**

2,708,962 A \* 5/1955 Rechler ..... A47C 4/50  
297/31  
D234,935 S \* 4/1975 Dransart ..... D6/368  
4,867,505 A \* 9/1989 Parker ..... A47C 4/28  
297/27  
D338,791 S 8/1993 Cohen



(56)

**References Cited**

U.S. PATENT DOCUMENTS

D651,010 S 12/2011 Cohen  
 8,197,000 B1 6/2012 Cohen  
 D666,017 S 8/2012 Mayer et al.  
 D677,921 S \* 3/2013 Wen ..... D6/368  
 D711,146 S 8/2014 Cohen  
 D711,147 S 8/2014 Cohen  
 D718,067 S 11/2014 Cohen  
 D825,209 S 8/2018 Garrison  
 10,098,467 B2 \* 10/2018 Bayiokos ..... A47C 4/28  
 10,194,749 B1 \* 2/2019 Doolan ..... A47C 5/10  
 D844,338 S \* 4/2019 Franks ..... D6/368  
 D849,437 S \* 5/2019 Yang ..... D6/368  
 D850,135 S \* 6/2019 Yang ..... D6/368  
 D850,810 S \* 6/2019 Doolan ..... D6/368  
 10,463,157 B1 \* 11/2019 Liniado ..... A47C 4/28  
 10,631,651 B1 \* 4/2020 Hsu Besner ..... A47C 4/30  
 D911,730 S \* 3/2021 Doolan ..... D6/368

2007/0001502 A1 1/2007 Welsh et al.  
 2012/0286544 A1 11/2012 Cohen  
 2013/0257128 A1 10/2013 Grace  
 2018/0249837 A1 9/2018 Cohen

OTHER PUBLICATIONS

[No Author Listed] Blue Marlin Deluxe Backpack Beach Chair. Tommy Bahama. <https://www.tommybahama.com/en/Blue-Marlin-Deluxe-Backpack-Beach-Chair/p/TH34047-220>. Publicly available at least as early as Sep. 4, 2019. 8 pages.  
 [No Author Listed] Waterside Products. GCI Outdoor. <https://gcioutdoor.com/waterside/>. Publicly available at least as early as Sep. 4, 2019. 1 page.  
 U.S. Appl. No. 29/704,524, filed Sep. 5, 2019, Besner et al.  
 U.S. Appl. No. 29/705,704, filed Sep. 13, 2019, Besner et al.  
 U.S. Appl. No. 29/704,526, filed Sep. 5, 2019, Besner et al.  
 U.S. Appl. No. 29/705,705, filed Sep. 13, 2019, Besner et al.

\* cited by examiner

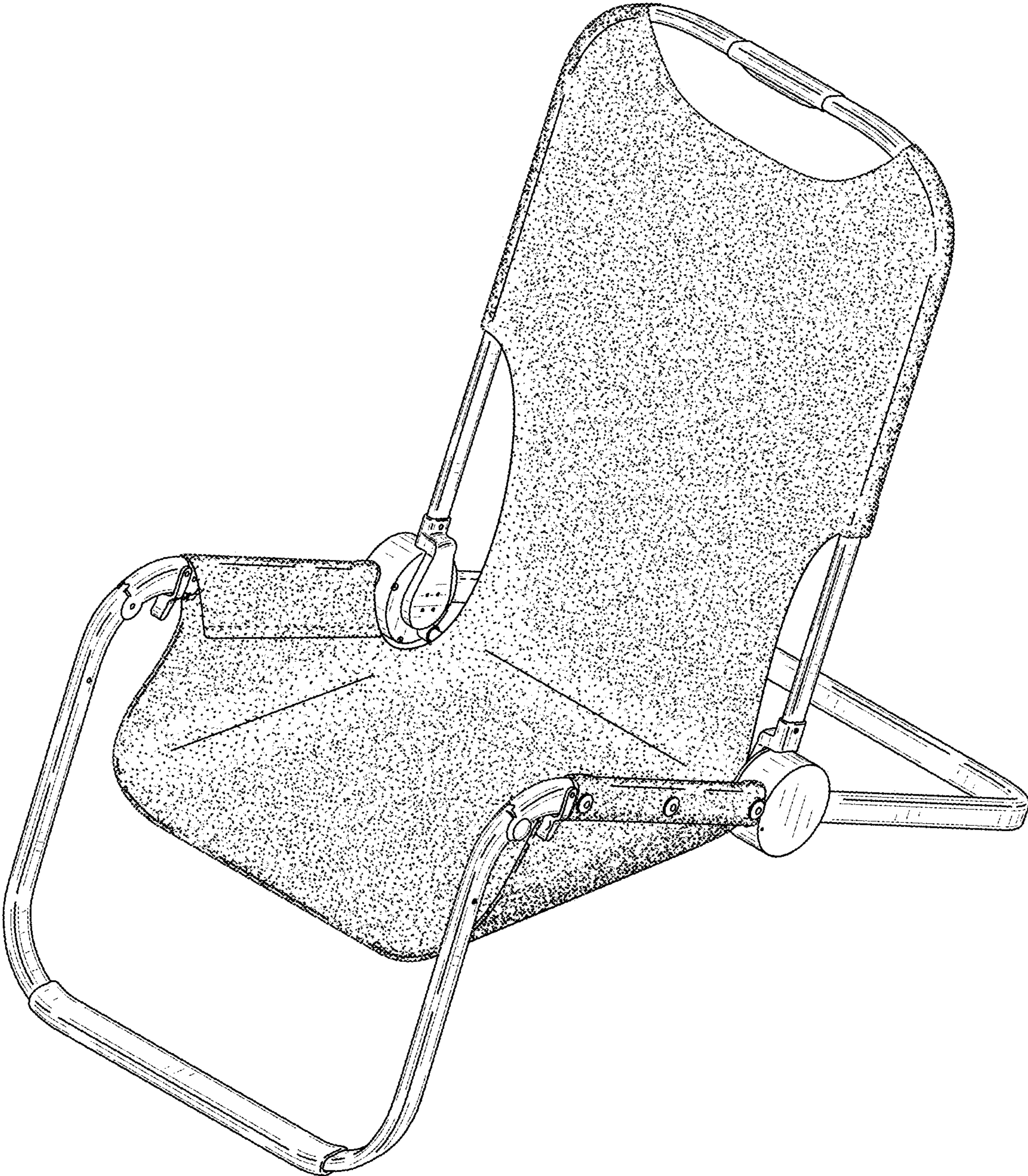


FIG. 1

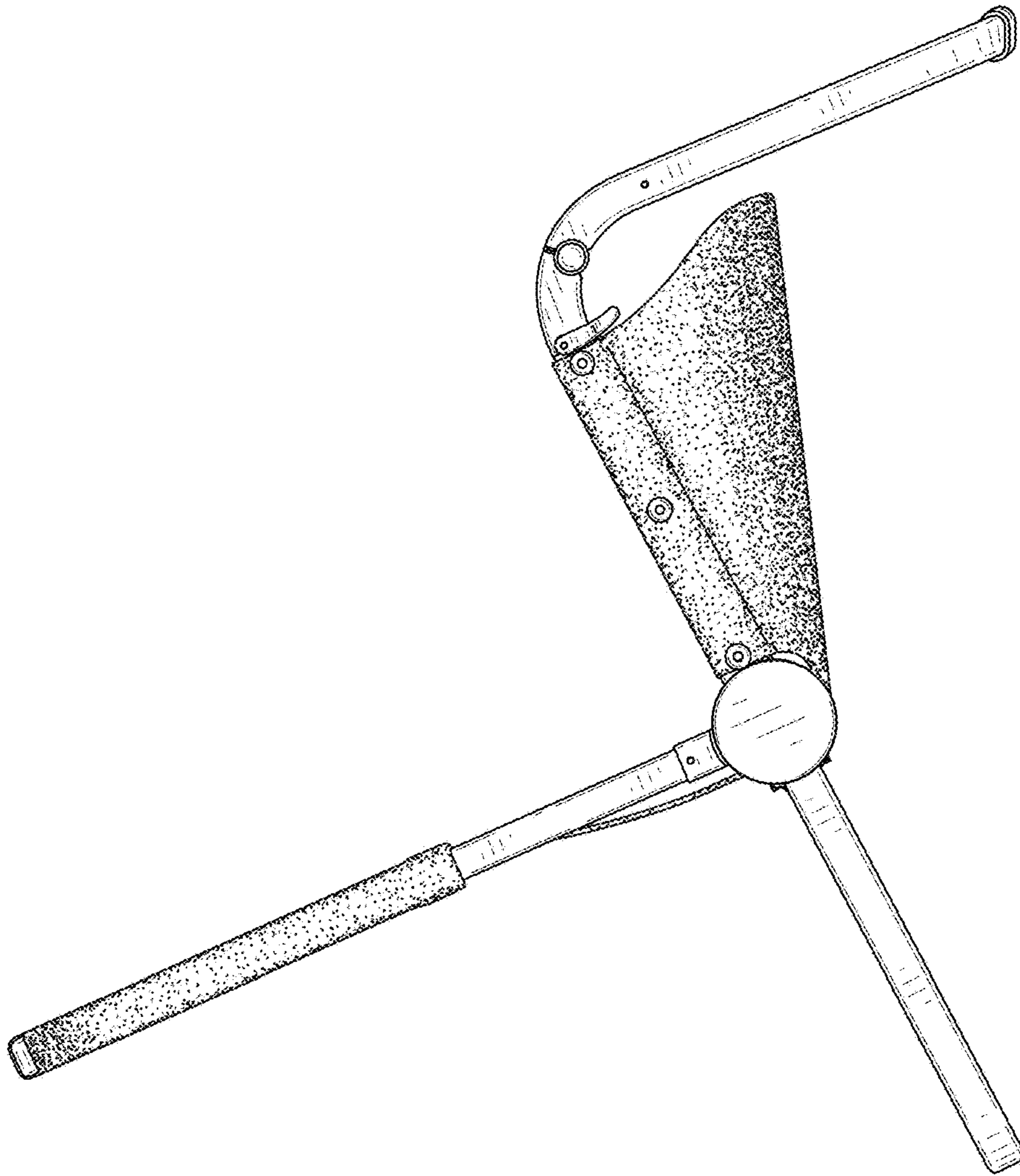


FIG. 3

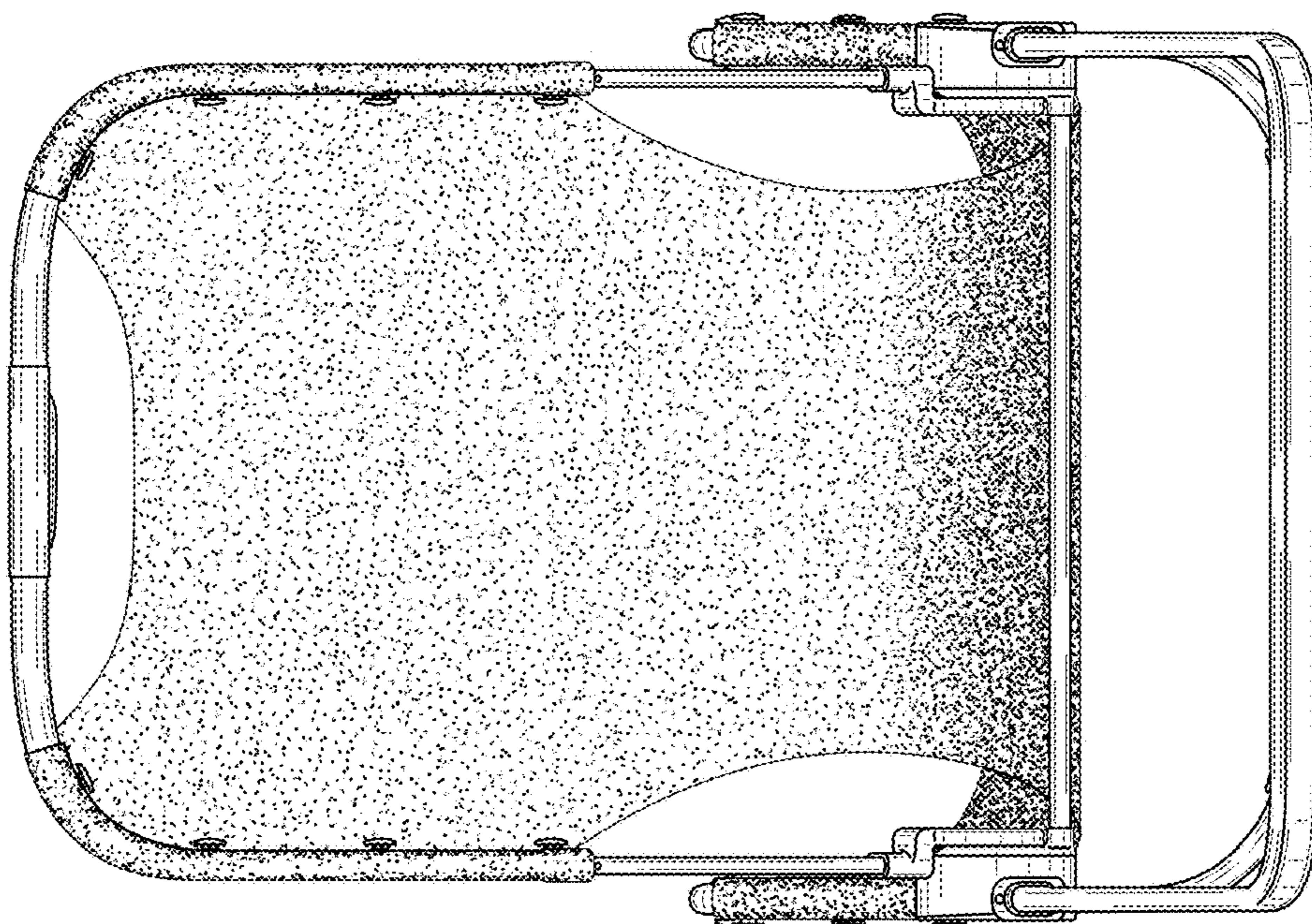


FIG. 2

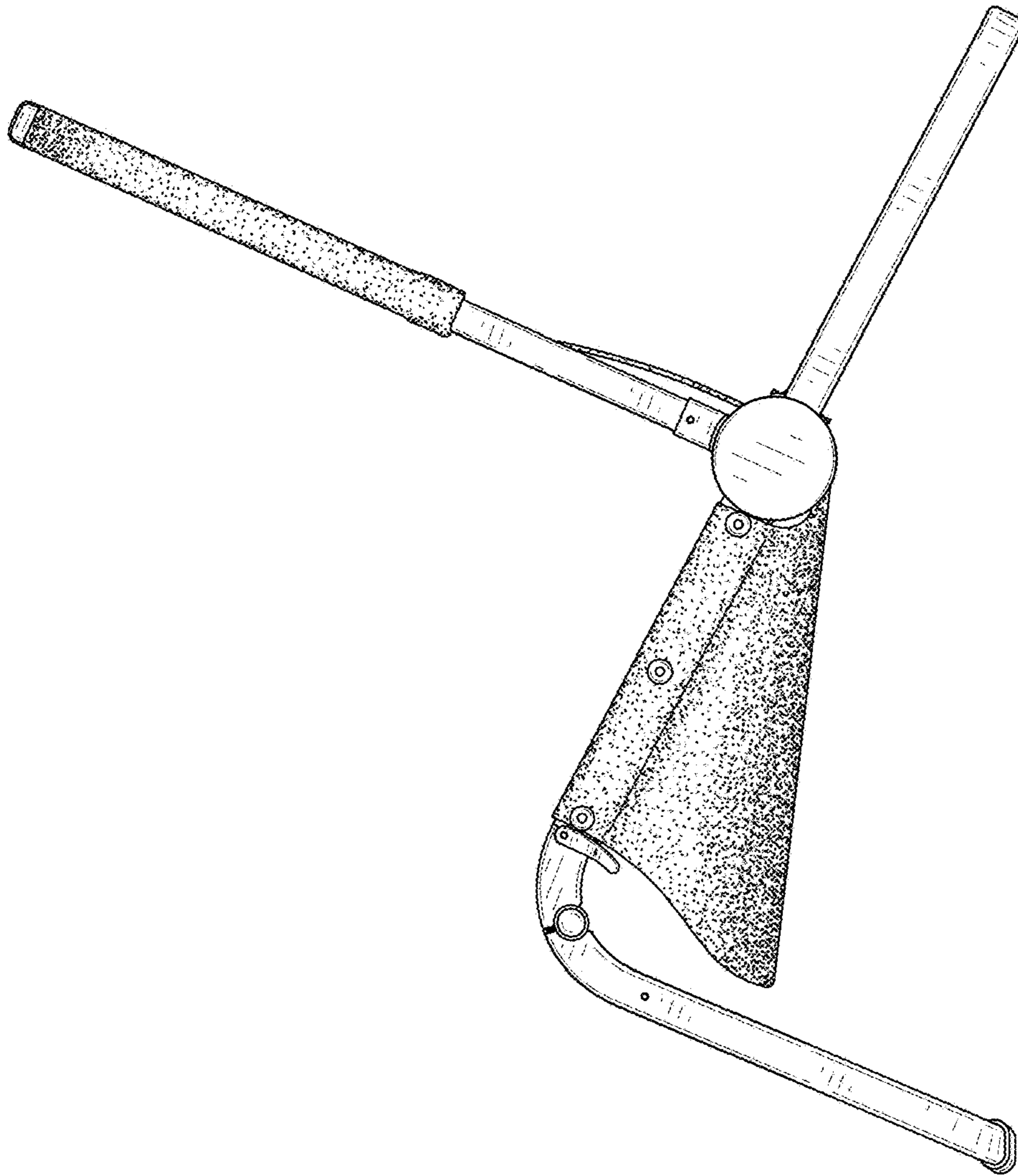


FIG. 5

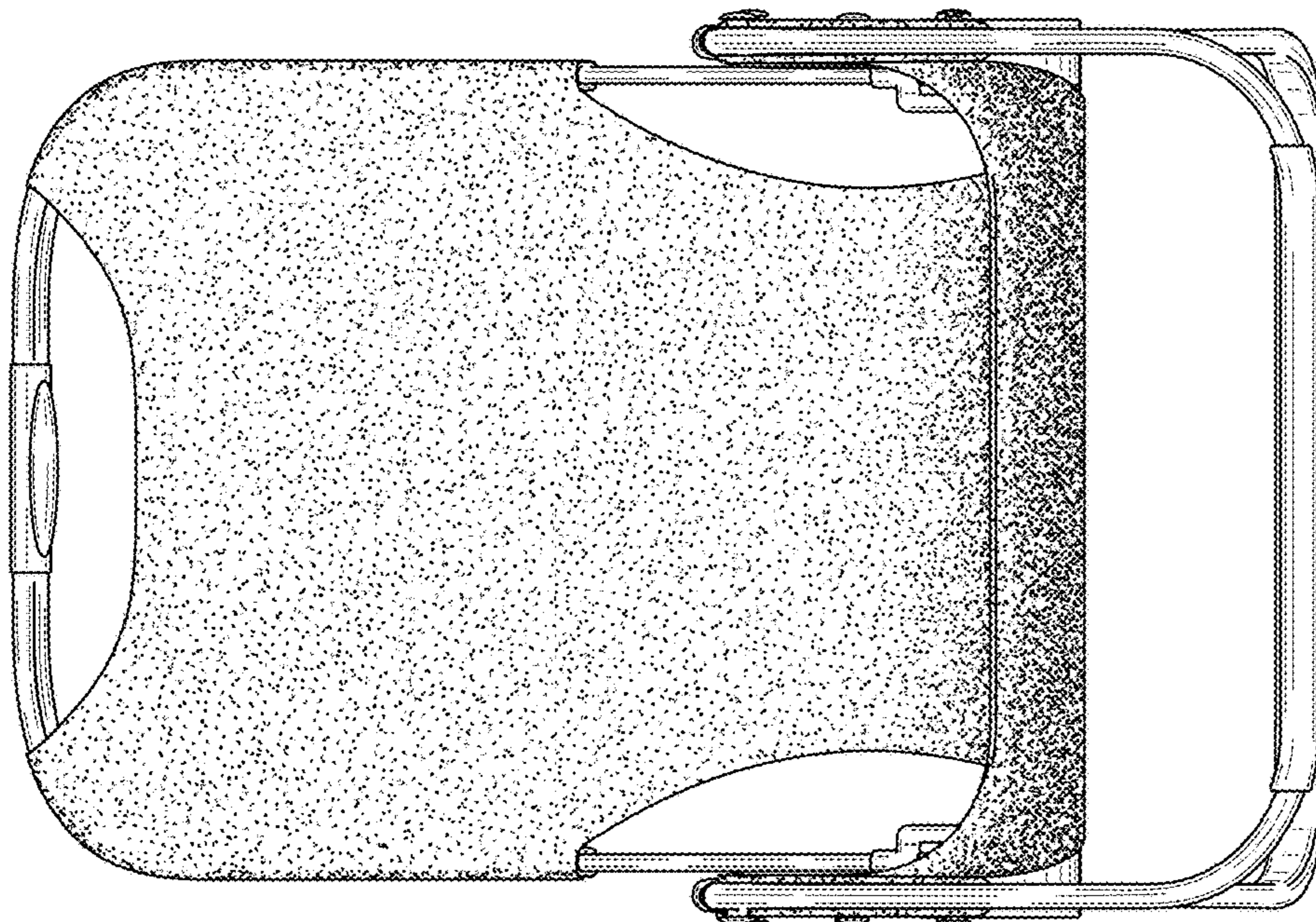


FIG. 4

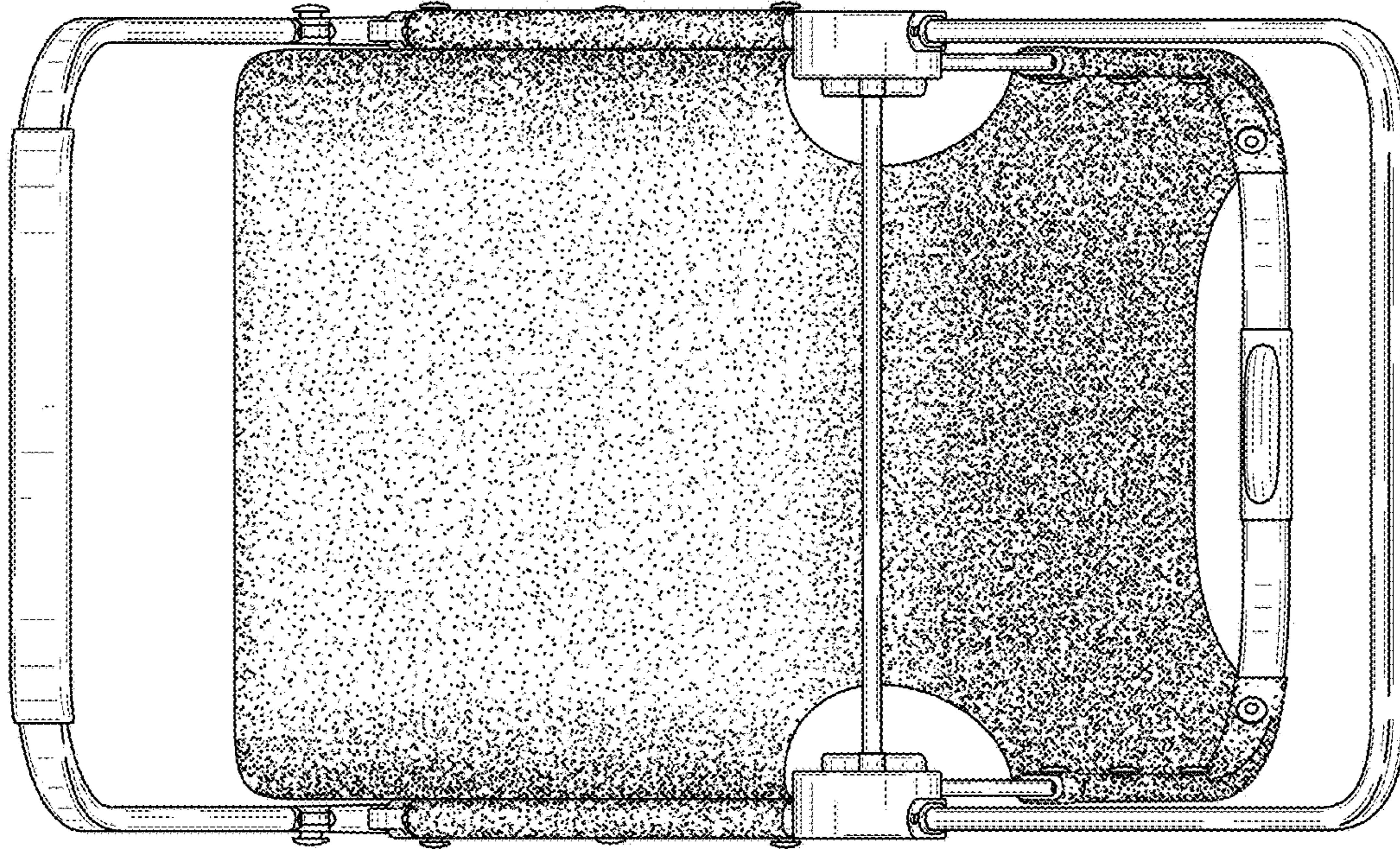


FIG. 7

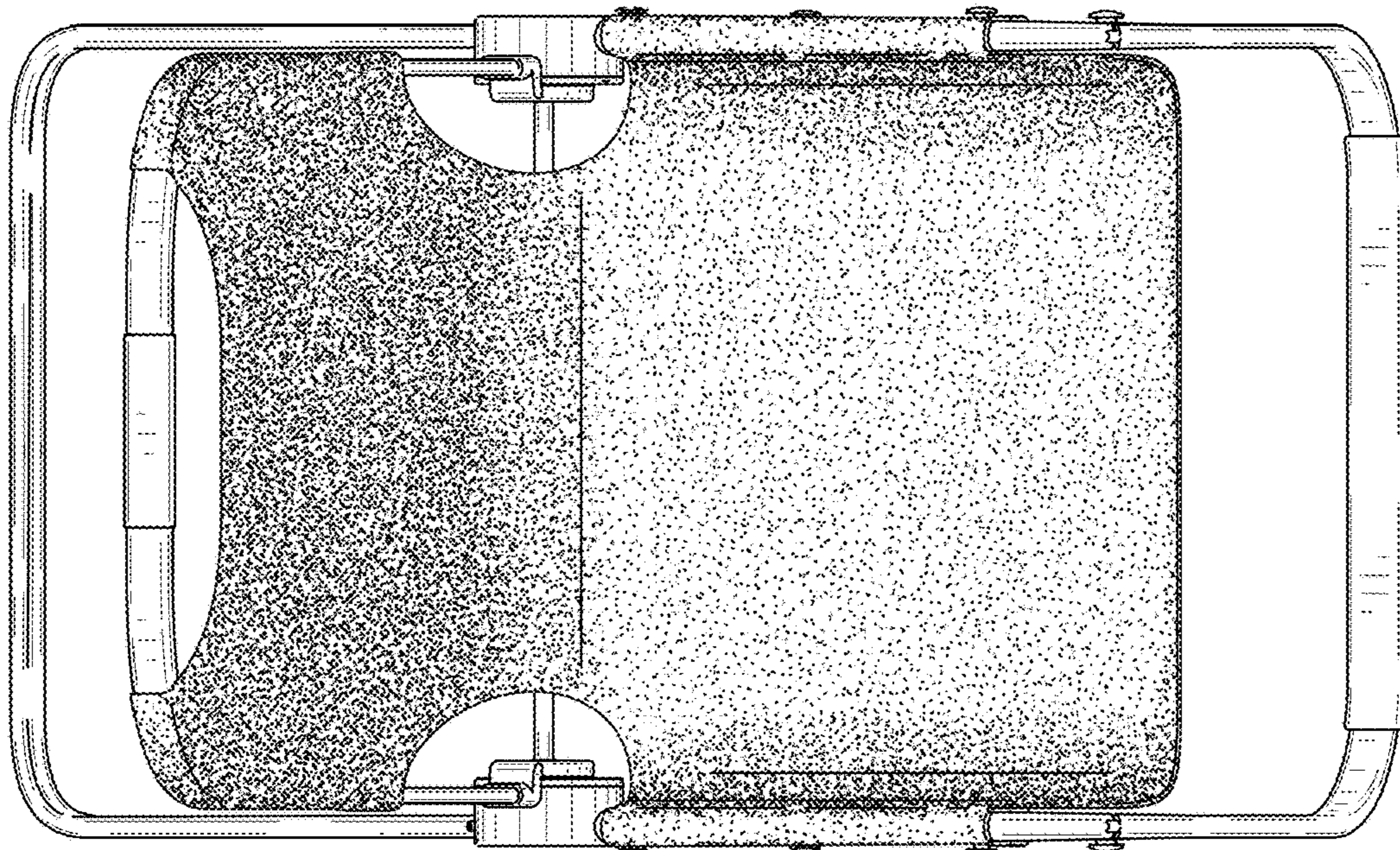


FIG. 6