

US00D933985S

(12) **United States Design Patent**
Stump

(10) **Patent No.:** **US D933,985 S**

(45) **Date of Patent:** **** *Oct. 26, 2021**

(54) **COLLAPSIBLE CHAIR BASE**

(71) Applicant: **Juicy B, LLC**, Santa Barbara, CA (US)

(72) Inventor: **John Stump**, Santa Barbara, CA (US)

(73) Assignee: **Juicy B, LLC**, Santa Barbara, CA (US)

(*) Notice: This patent is subject to a terminal disclaimer.

(**) Term: **15 Years**

(21) Appl. No.: **29/694,200**

(22) Filed: **Jun. 7, 2019**

(51) **LOC (13) Cl.** **06-06**

(52) **U.S. Cl.**
USPC **D6/368**

(58) **Field of Classification Search**

USPC D6/334, 349, 357, 364, 365, 366, 367,
D6/368, 369, 374, 375, 379, 381, 708.16,
D6/716.1, 716.4, 716.7

CPC A47C 3/12; A47C 3/18; A47C 3/20; A47C
3/26; A47C 5/02; A47C 5/10; A47C 7/24;
A47C 7/36; A47C 7/46; A47C 7/18;
A47C 7/40; A47C 1/03255; A47C 4/42;
A47C 4/44; A47C 11/00; A47C 11/05

See application file for complete search history.

(56) **References Cited**

U.S. PATENT DOCUMENTS

5,851,052	A *	12/1998	Gustafsson	A47C 4/286 297/16.2
D775,885	S *	1/2017	Lah	D6/708.16
D887,191	S *	6/2020	Kim	D6/708.16
D891,808	S *	8/2020	Zhu	D6/376
D902,617	S *	11/2020	Sullivan	D6/368
2009/0174232	A1 *	7/2009	Hoffman	A47C 4/42 297/16.1

(Continued)

Primary Examiner — R. Johnson

(74) *Attorney, Agent, or Firm* — SoCal IP Law Group
LLP; Mark A. Goldstein

(57) **CLAIM**

The ornamental design for a collapsible chair base, as shown and described.

DESCRIPTION

A portion of the disclosure of this patent document contains material which is subject to copyright protection. This patent document may show and/or describe matter which is or may become trade dress of the owner. The copyright and trade dress owner has no objection to the facsimile reproduction by anyone of the patent disclosure as it appears in the Patent and Trademark Office patent files or records, but otherwise reserves all copyright and trade dress rights whatsoever.

FIG. 1 is a top perspective view of a collapsible chair base showing my new design, the base assembled with a fabric cover;

FIG. 2 is a left side elevational view thereof;

FIG. 3 is a right side elevational view thereof;

FIG. 4 is a front elevational view thereof;

FIG. 5 is a rear elevational view thereof;

FIG. 6 is a top plan view thereof;

FIG. 7 is a bottom plan view thereof;

FIG. 8 is a bottom perspective view thereof;

FIG. 9 is a top perspective view of a collapsible chair base;

FIG. 10 is a left side elevational view thereof;

FIG. 11 is a right side elevational view thereof;

FIG. 12 is a front elevational view thereof;

FIG. 13 is a rear elevational view thereof;

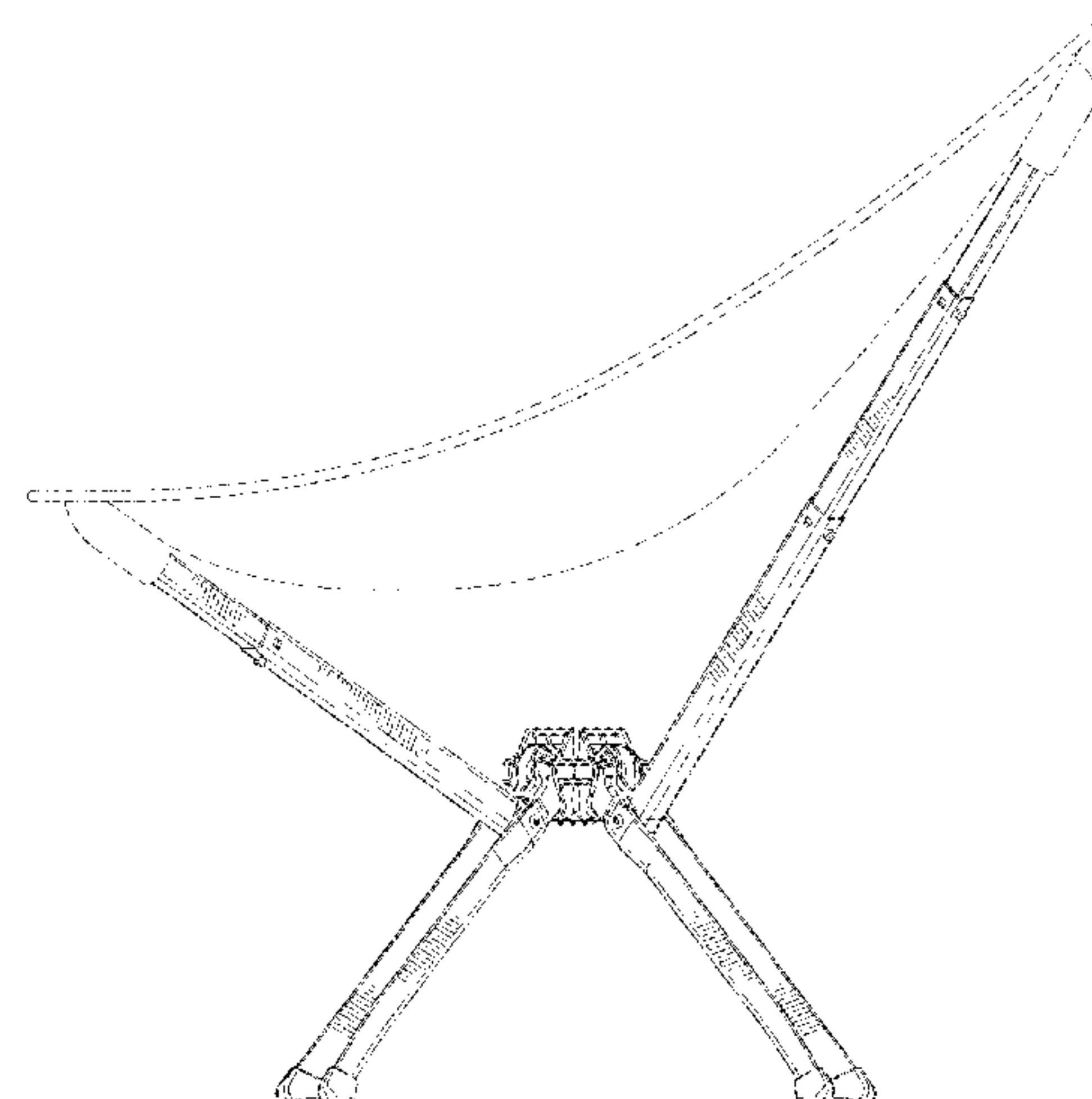
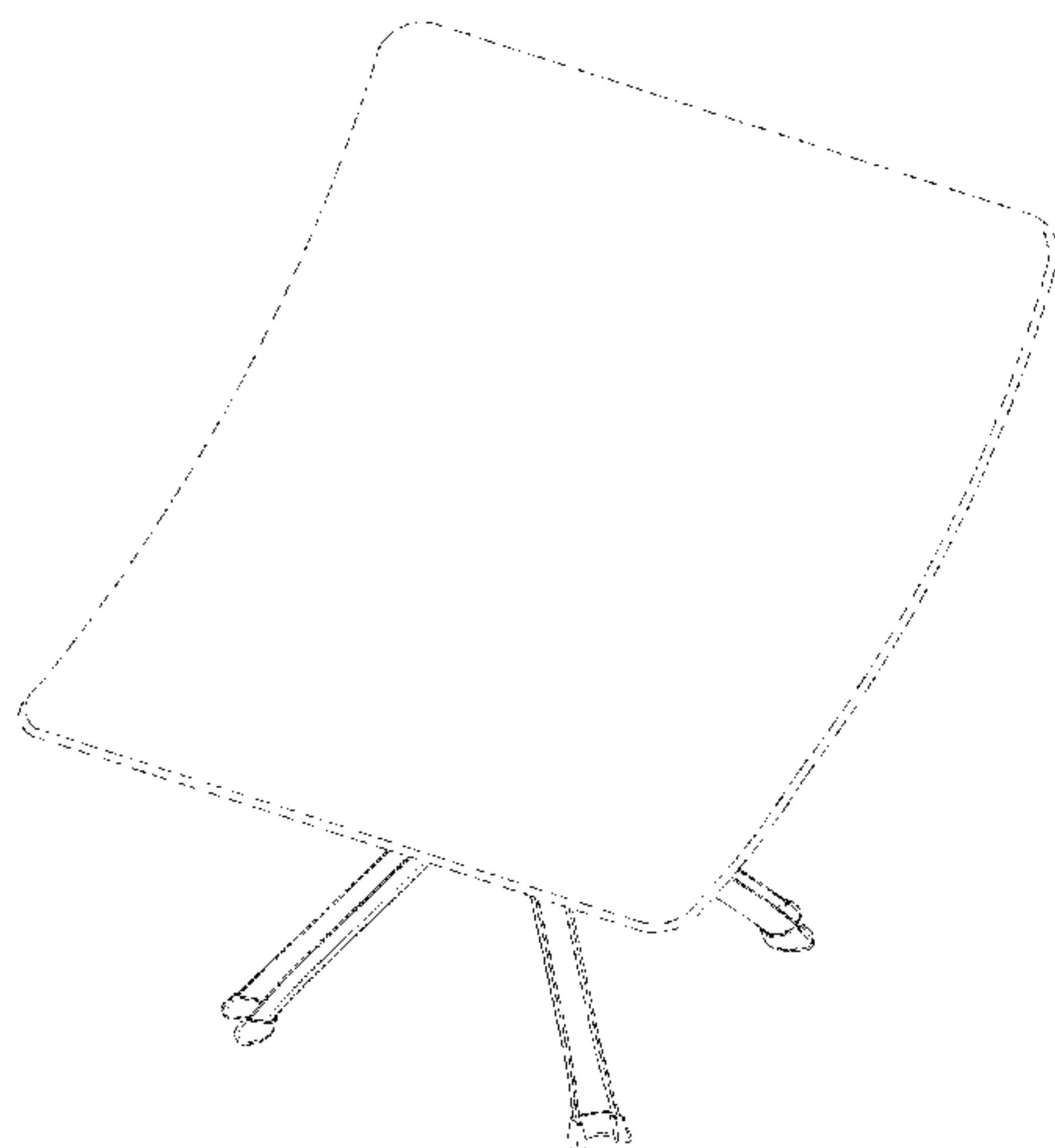
FIG. 14 is a top plan view thereof;

FIG. 15 is a bottom plan view thereof; and,

FIG. 16 is a bottom perspective view thereof.

The broken lines are included for the purpose of illustrating a fabric cover to be assembled with the collapsible chair base that forms no part of the claimed design.

1 Claim, 16 Drawing Sheets



© 2019 Juicy B, LLC

© 2019 Juicy B, LLC

(56)

References Cited

U.S. PATENT DOCUMENTS

2015/0189994 A1* 7/2015 Lee A47C 4/02
297/16.1
2017/0181548 A1* 6/2017 Yoo A47C 4/44
2019/0029430 A1* 1/2019 Yang A47C 4/44
2020/0281356 A1* 9/2020 Yang A47C 4/286
2020/0329875 A1* 10/2020 Zhang A47B 91/12

* cited by examiner

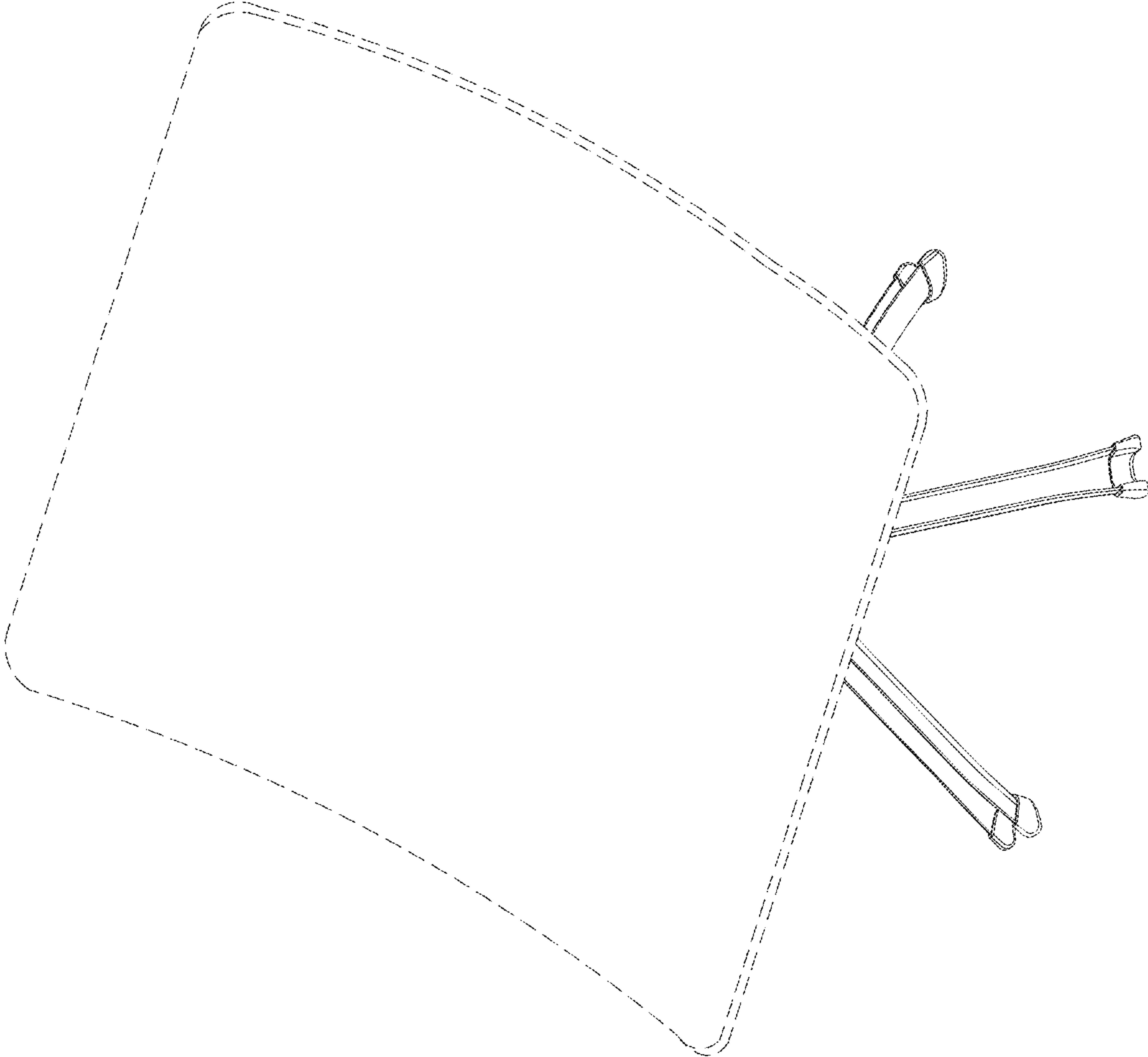


FIG. 1

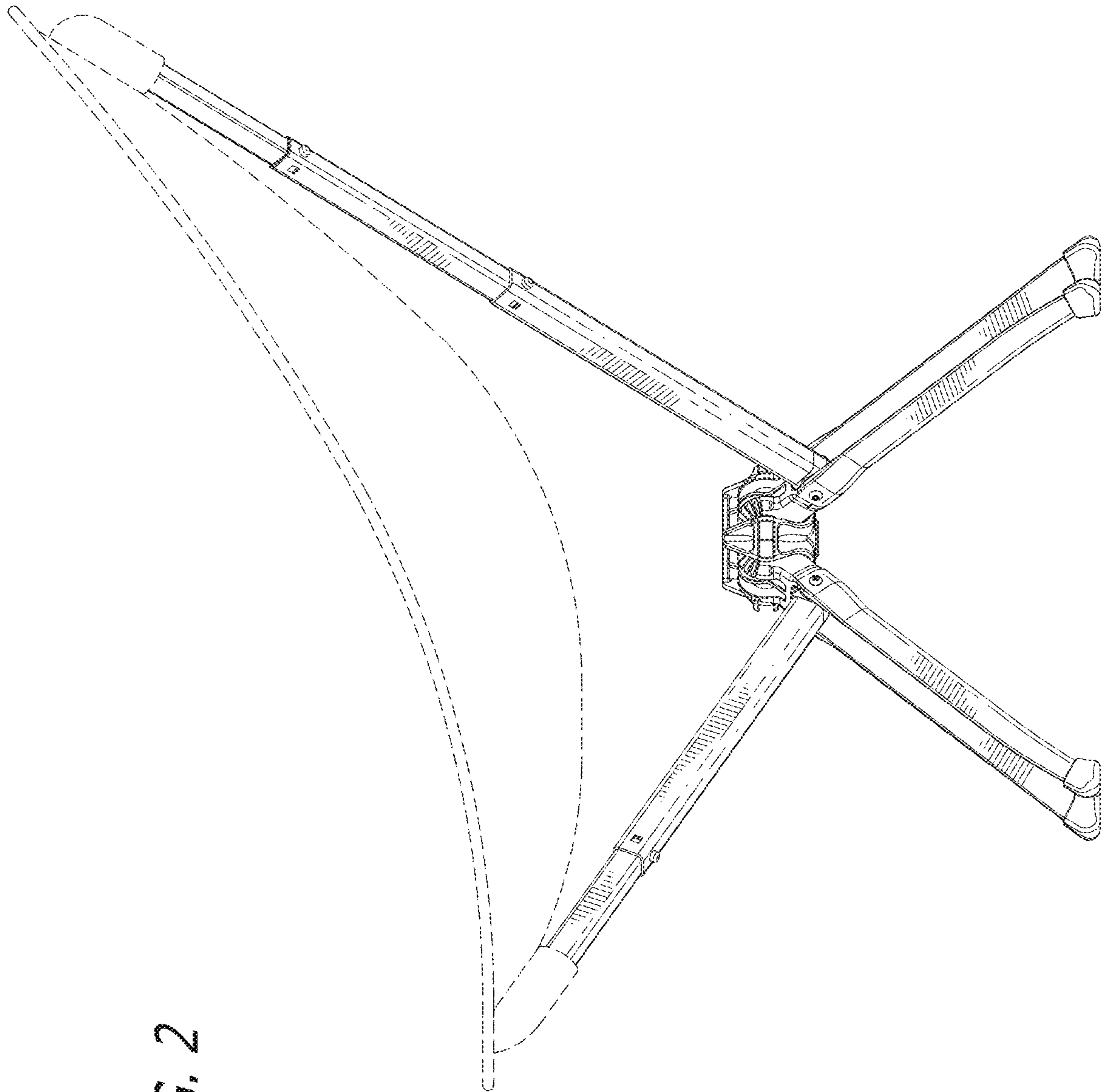
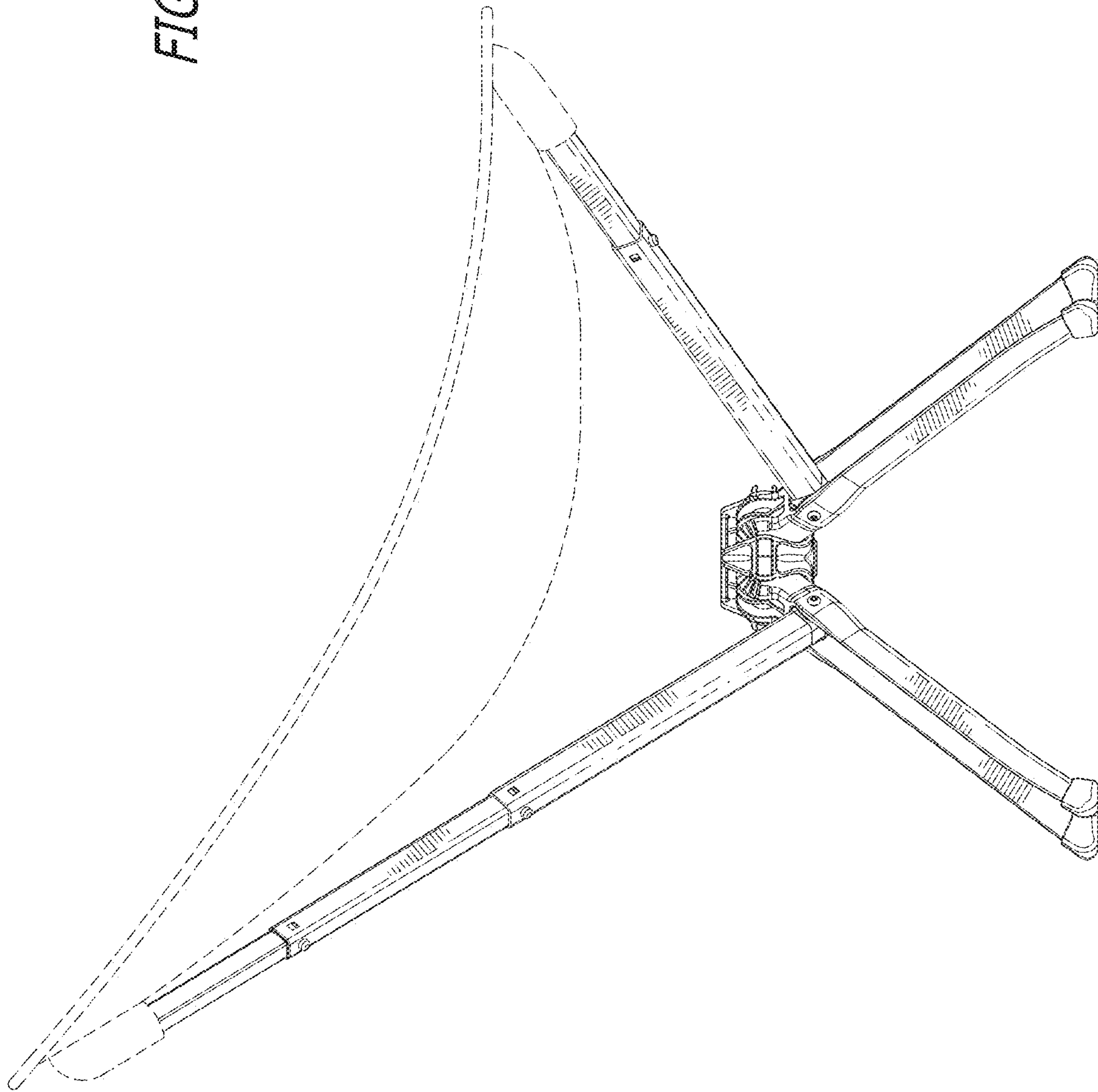


FIG. 2

FIG. 3



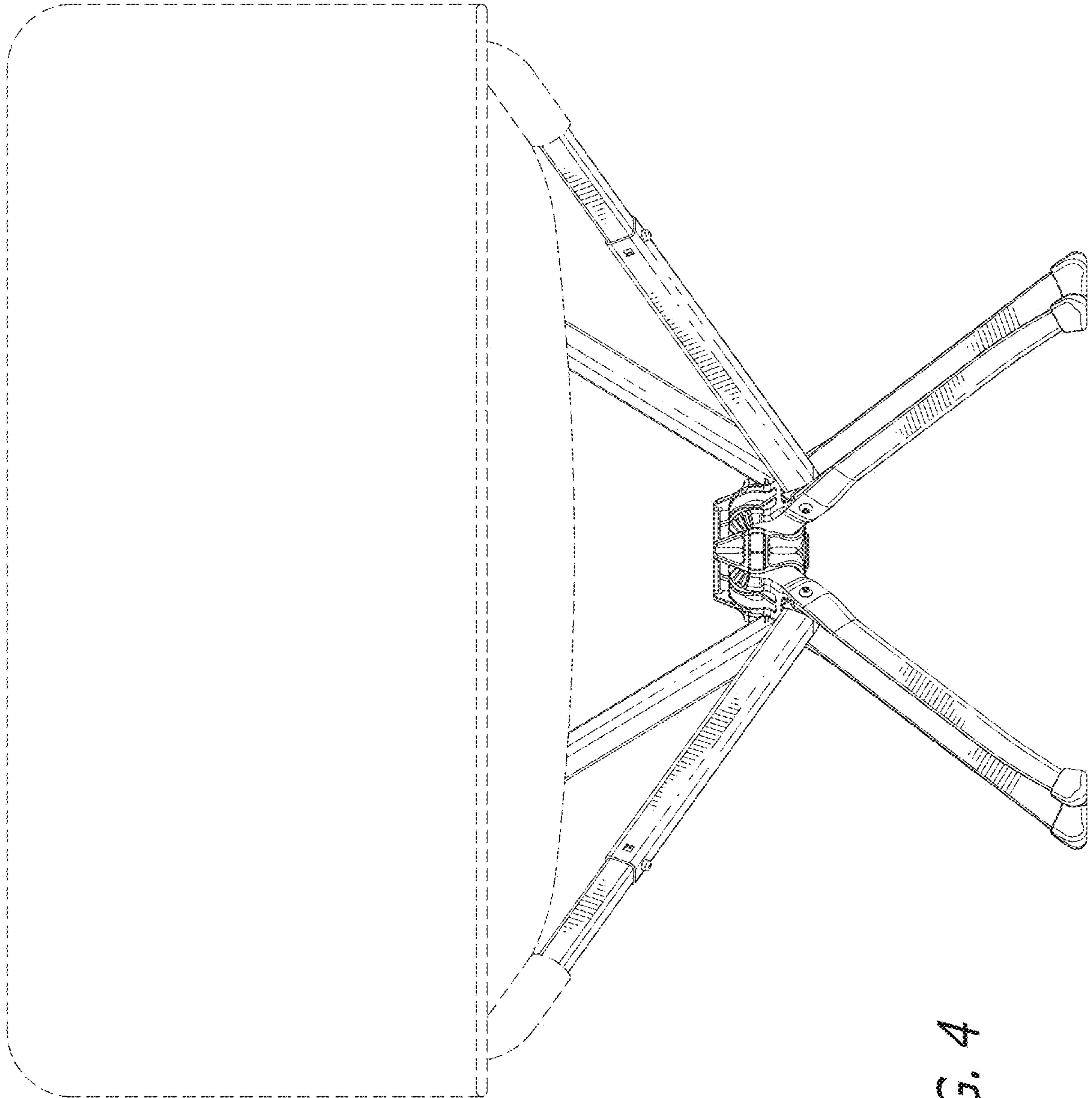


FIG. 4

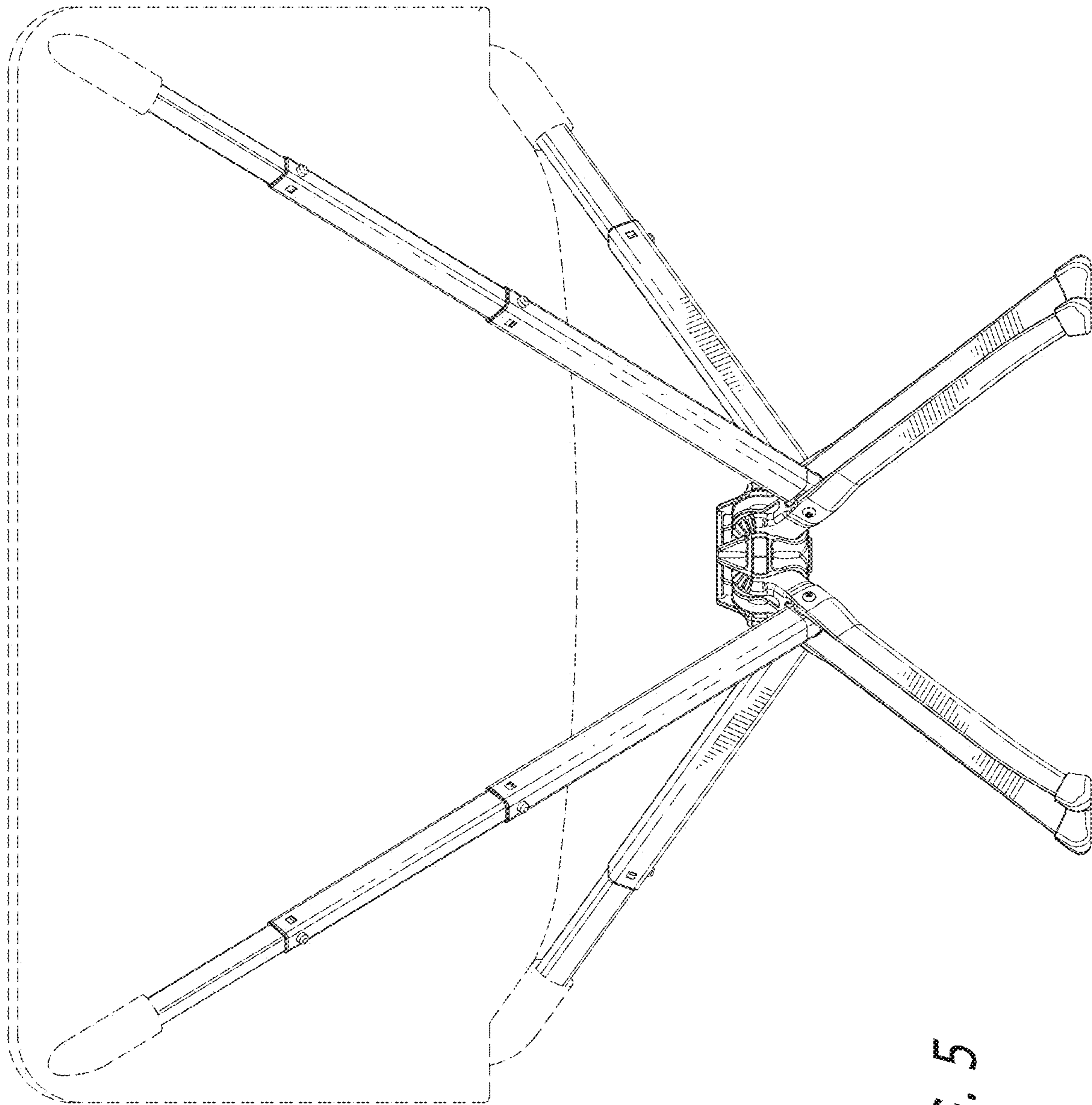
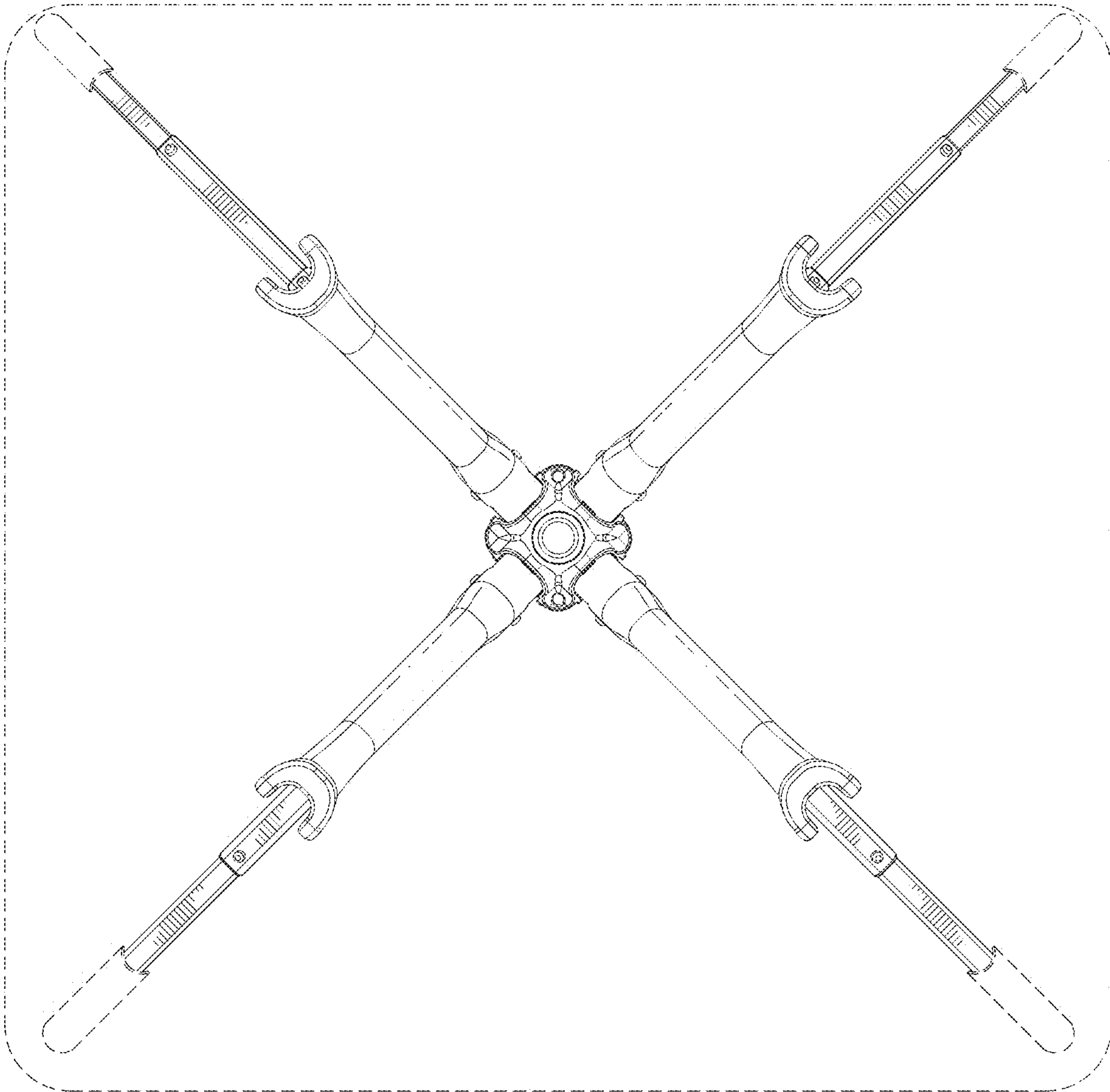


FIG. 5

FIG. 6



FIG. 7



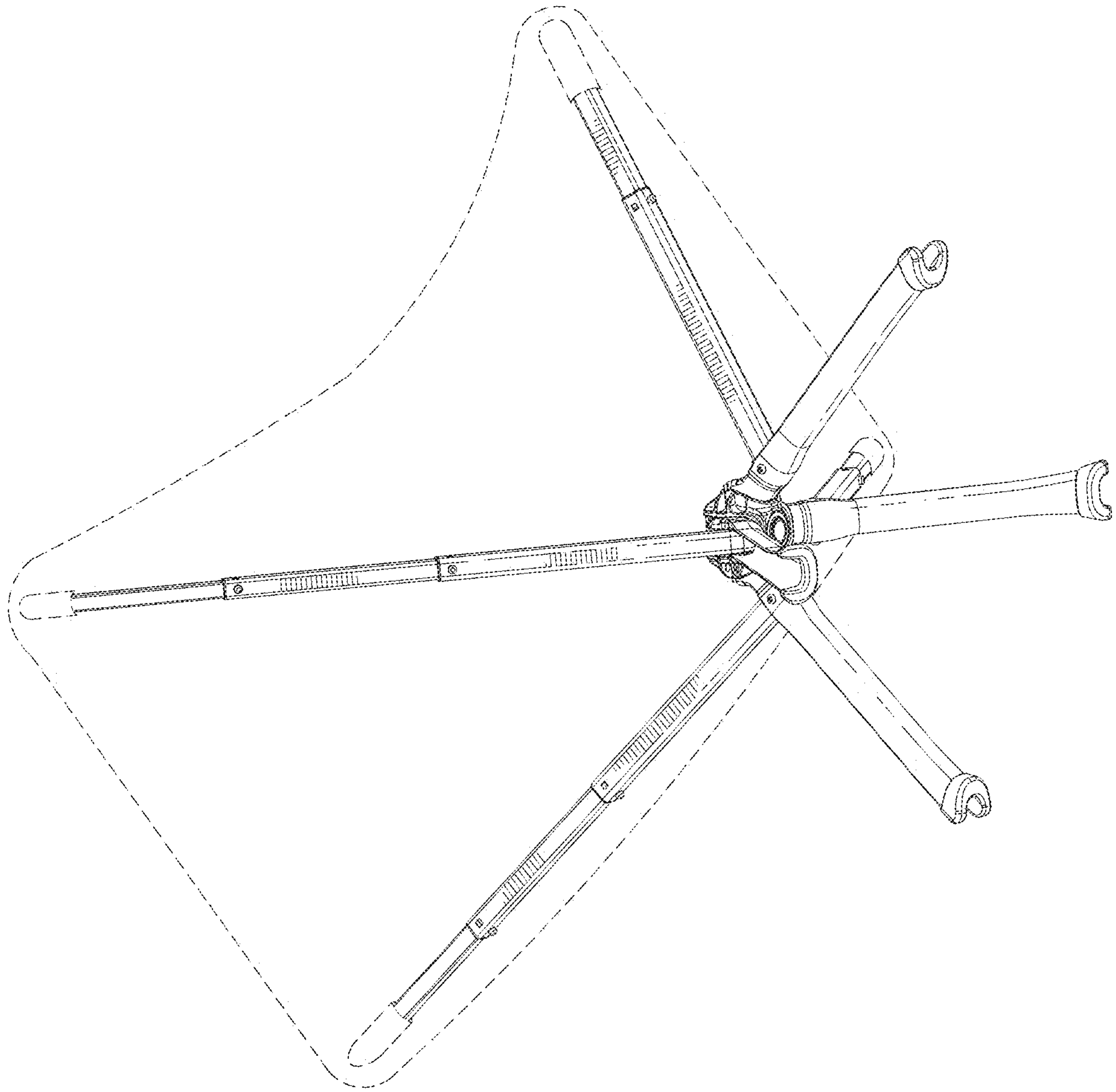


FIG. 8

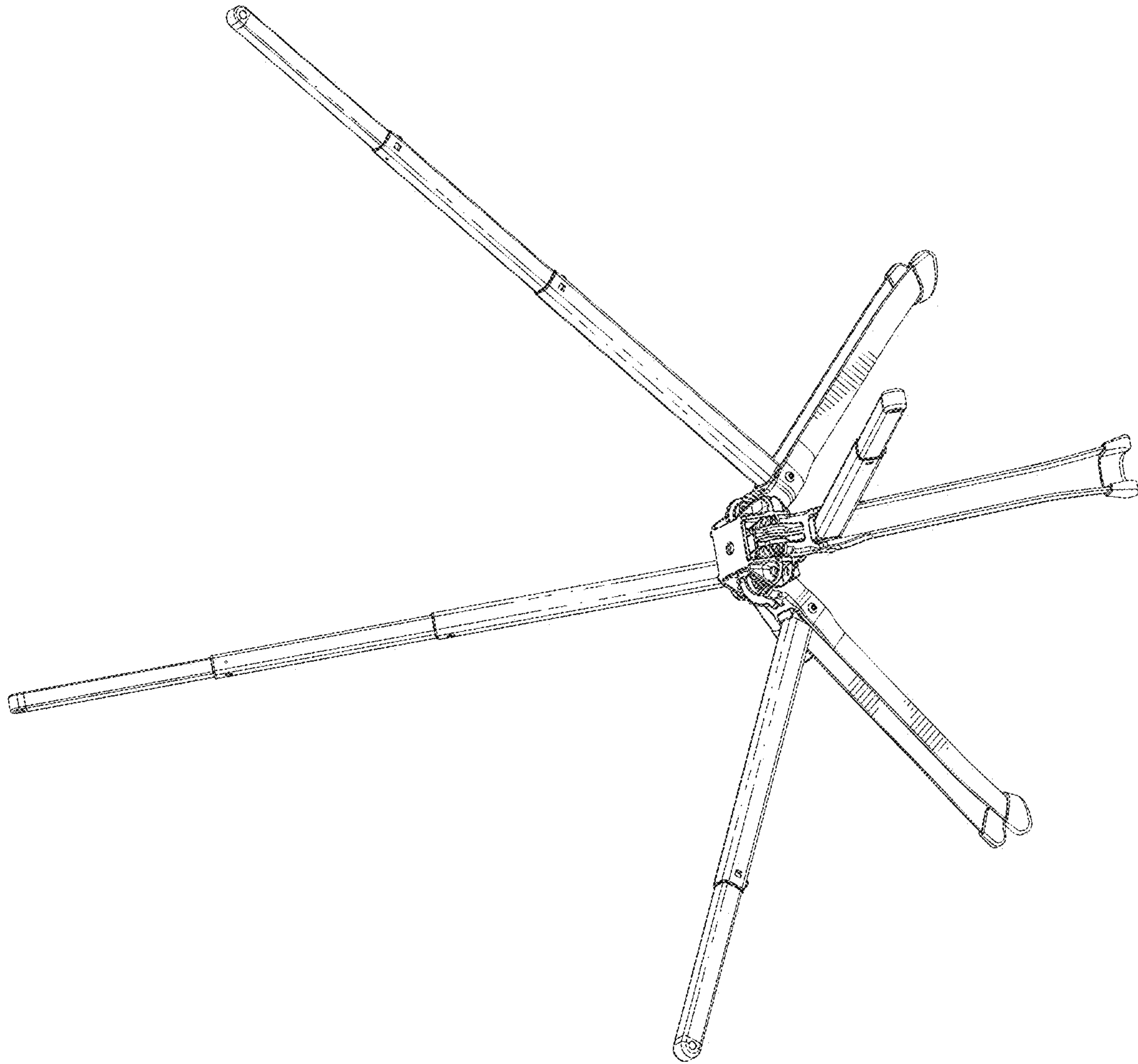


FIG. 9

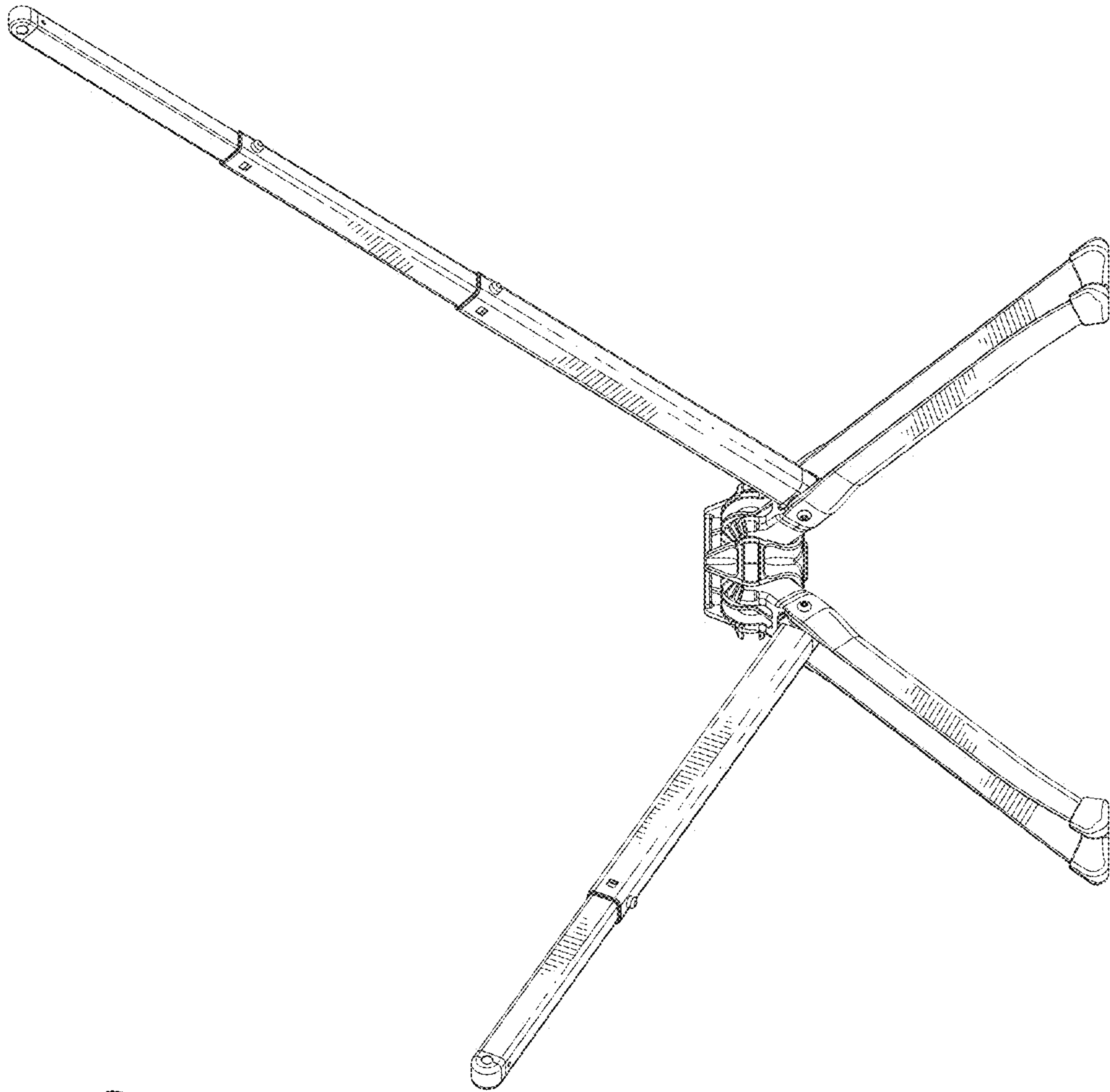


FIG. 10

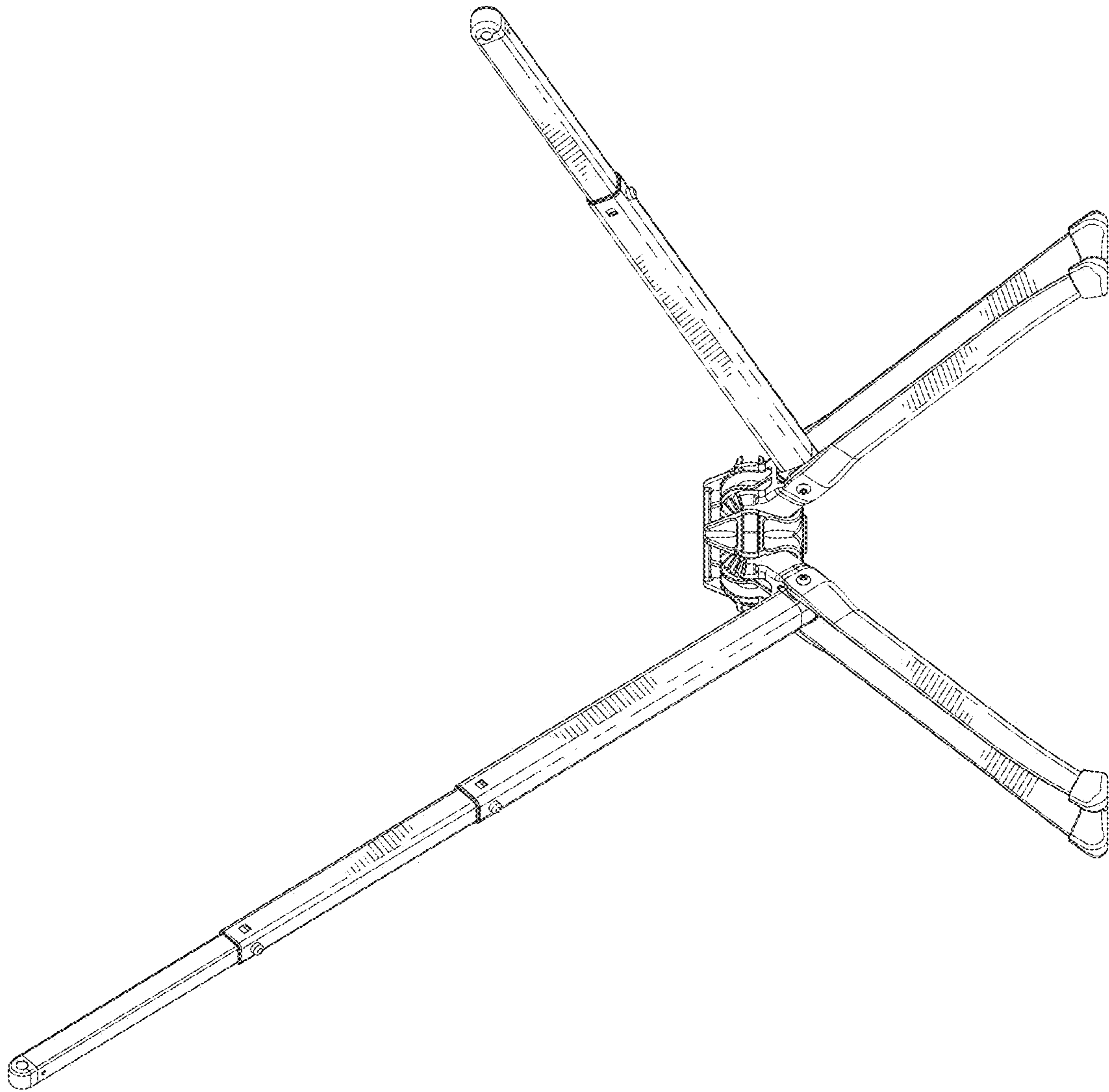


FIG. 11

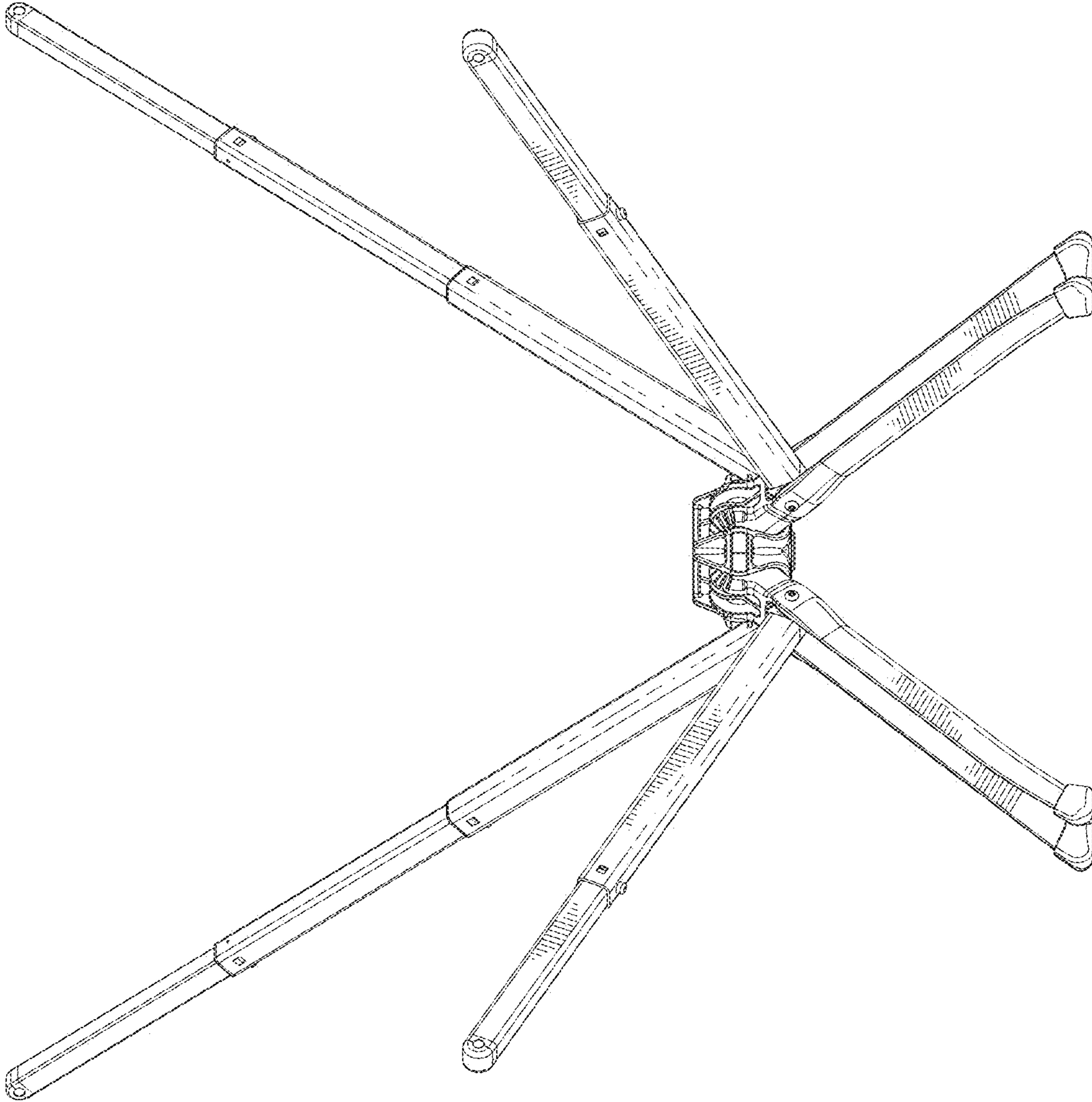


FIG. 12

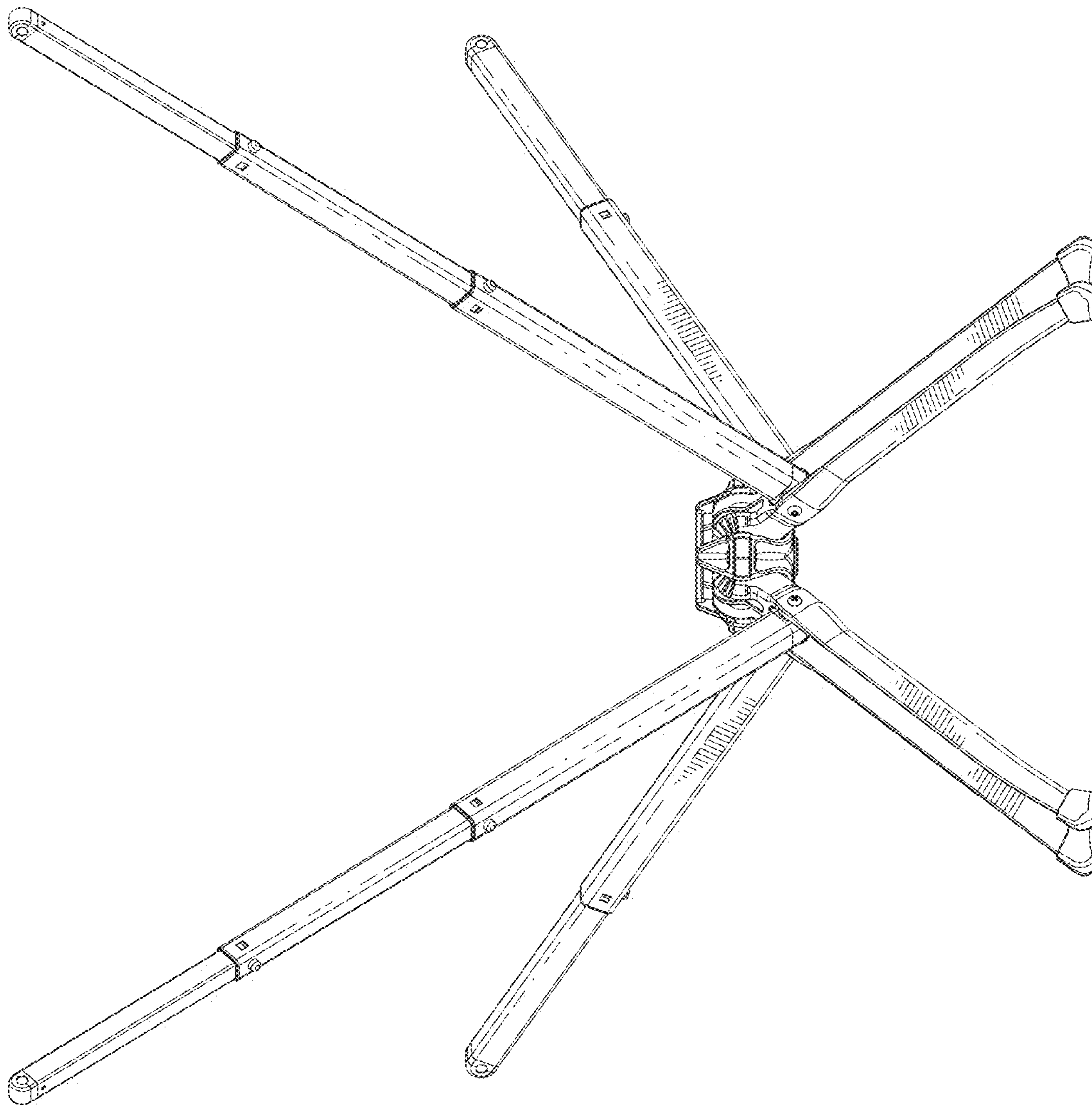


FIG. 13

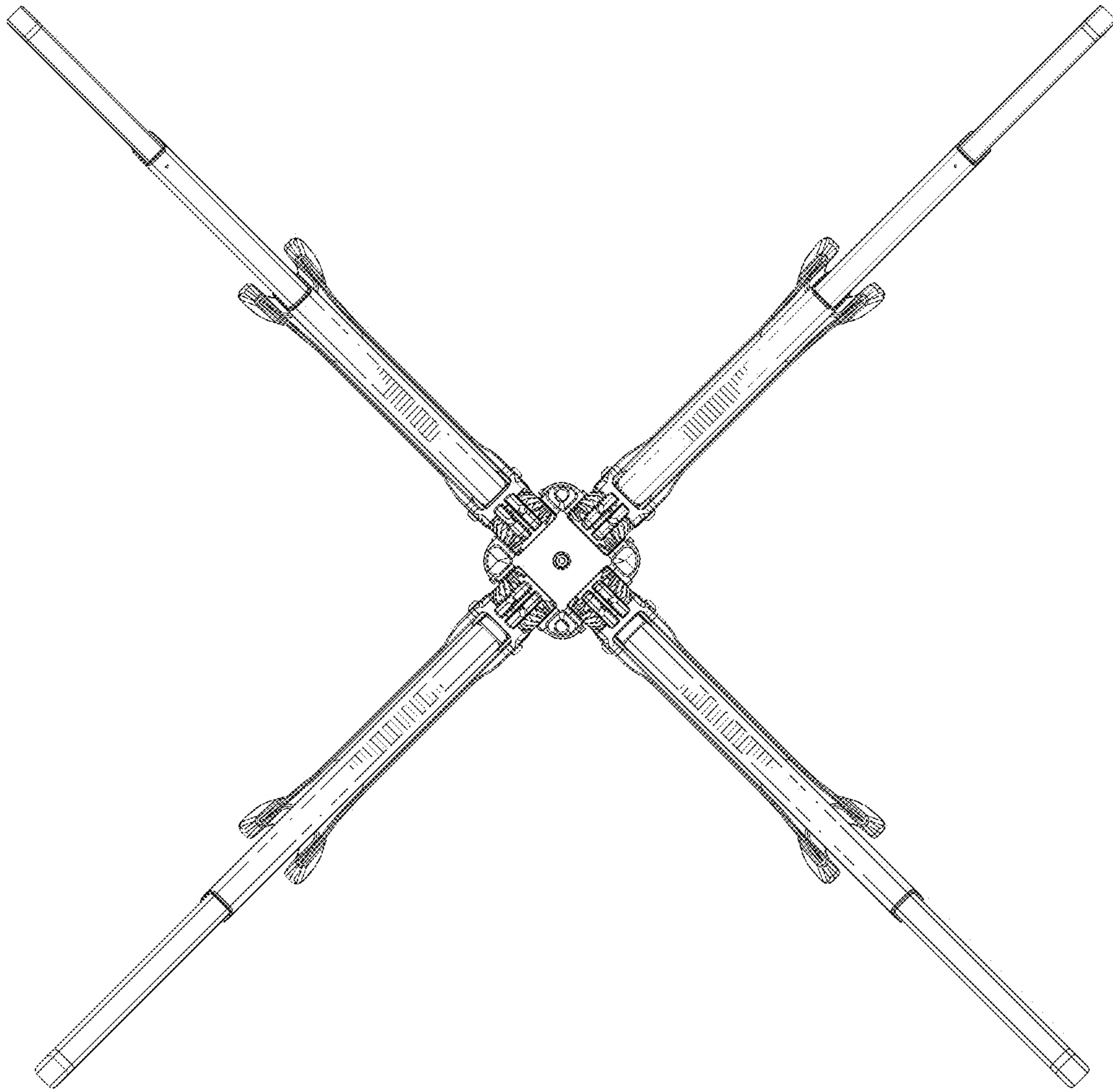


FIG. 14

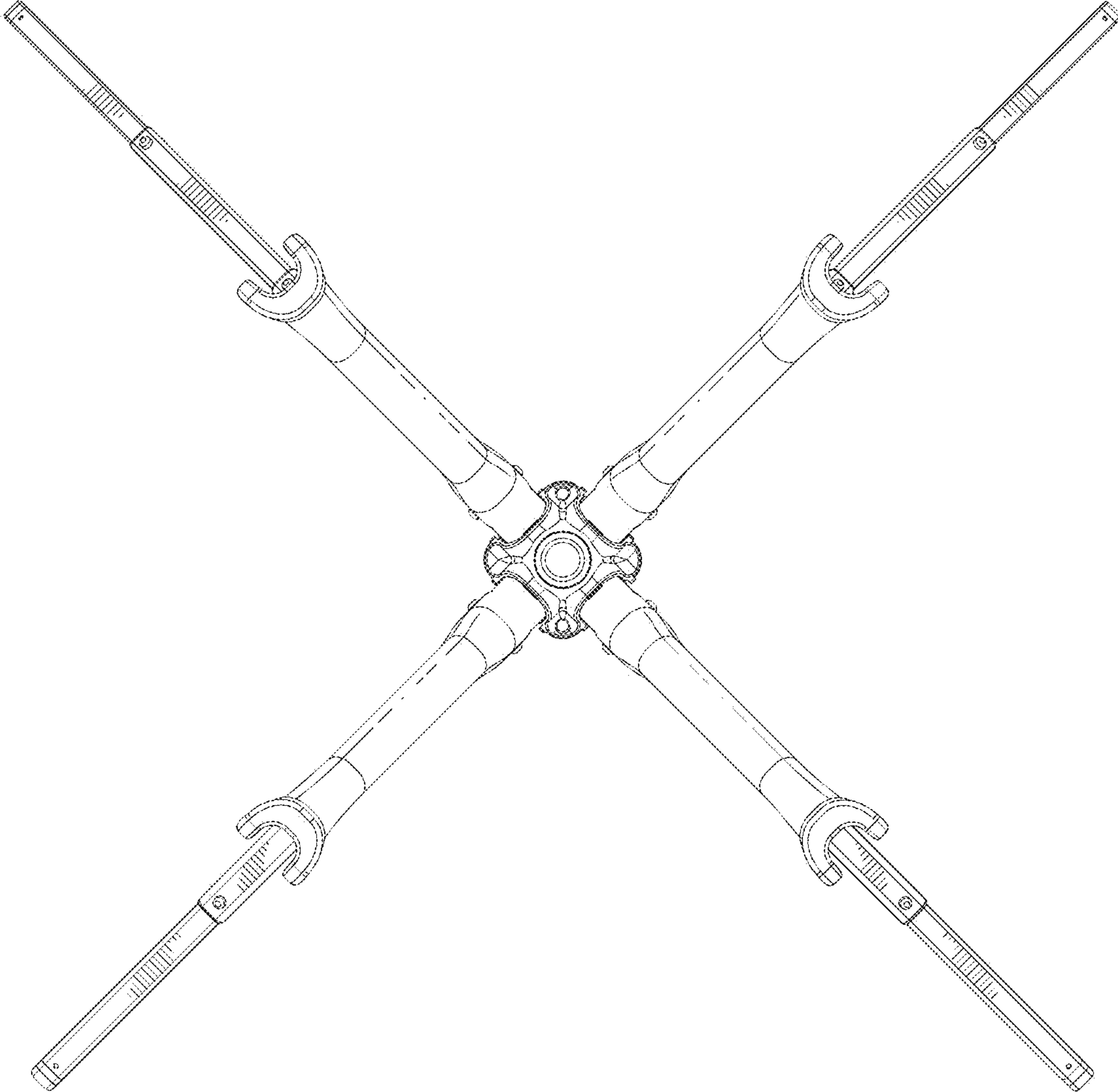


FIG. 15

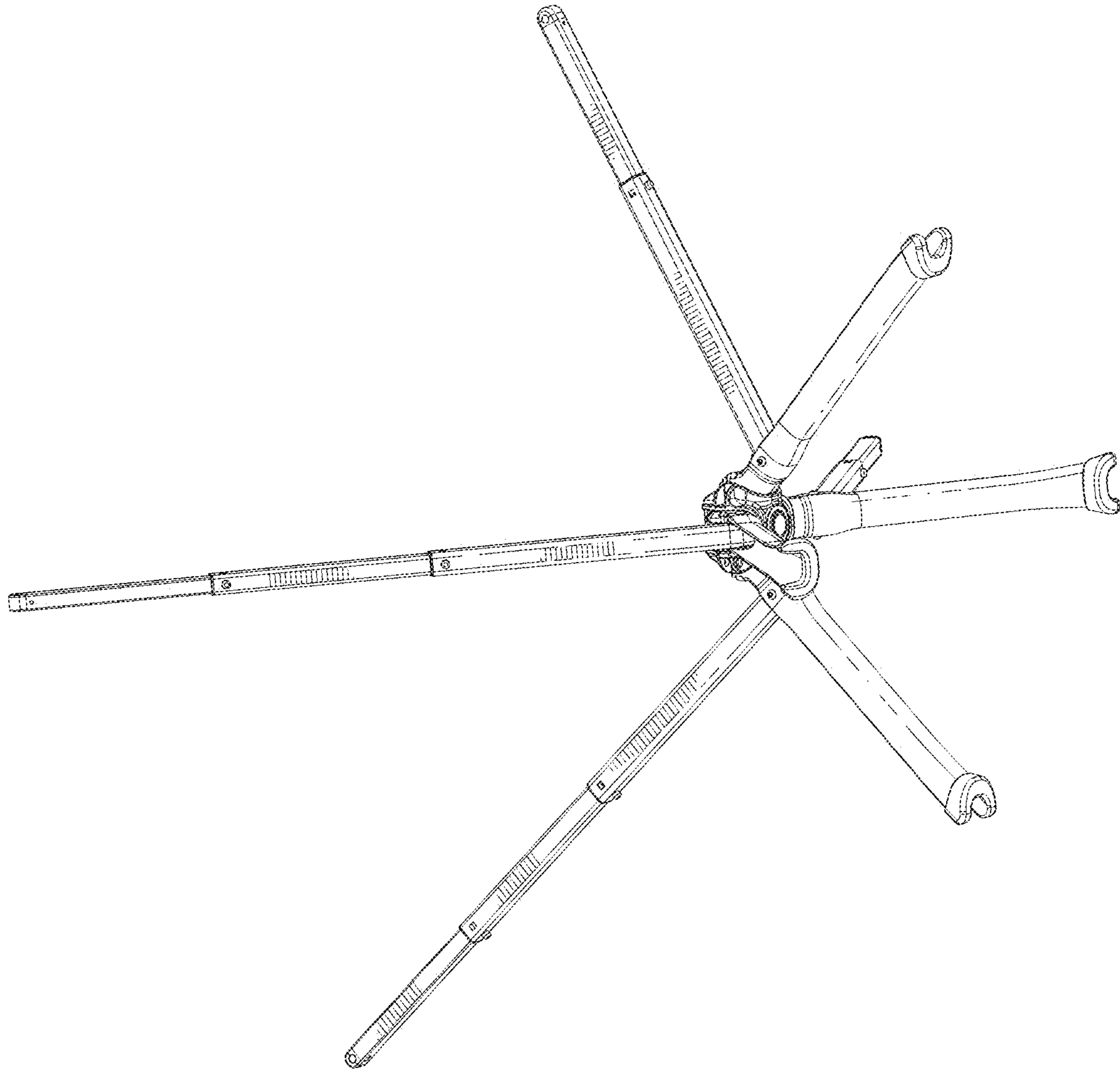


FIG. 16