



US00D933983S

(12) **United States Design Patent**
Li

(10) **Patent No.:** **US D933,983 S**

(45) **Date of Patent:** **** Oct. 26, 2021**

(54) **CHAIR**

(71) Applicant: **HOMY CASA LIMITED**, Hong Kong (HK)

(72) Inventor: **YueHai Li**, Guangzhou (CN)

(73) Assignee: **HOMY CASA LIMITED**, Hong Kong (HK)

(**) Term: **15 Years**

(21) Appl. No.: **29/697,659**

(22) Filed: **Jul. 10, 2019**

(51) **LOC (13) Cl.** **06-01**

(52) **U.S. Cl.**
USPC **D6/366**

(58) **Field of Classification Search**
USPC D6/334-336, 356, 364, 365, 366, 367,
D6/374, 375, 379, 380, 716, 716.1, 716.3,
D6/716.4

CPC A47C 4/028; A47C 7/004; A47C 7/006;
A47C 7/18; A47C 7/24; A47C 7/38;
A47C 7/40; B60N 2/02; B60N 2/20;
B60N 2/22; B60N 2/58

See application file for complete search history.

(56) **References Cited**

U.S. PATENT DOCUMENTS

D549,475 S * 8/2007 Su D6/356
D789,699 S * 6/2017 Kumagai D6/356

D807,072 S * 1/2018 Mao D6/366
D861,367 S * 10/2019 Shen D6/366
D878,785 S * 3/2020 Qi D6/366
D879,493 S * 3/2020 Peng D6/366
D879,524 S * 3/2020 Huang D6/716
D885,779 S * 6/2020 Li D6/366
D897,709 S * 10/2020 Li D6/366
D910,329 S * 2/2021 Wang D6/366
D911,055 S * 2/2021 Wang D6/366

* cited by examiner

Primary Examiner — Mimoso De

(74) *Attorney, Agent, or Firm* — Hauptman Ham, LLP

(57) **CLAIM**

The ornamental design for a chair, as shown and described.

DESCRIPTION

FIG. 1 is a front view of a chair bearing the design.
FIG. 2 is a back view of the chair of FIG. 1.
FIG. 3 is a left side view of the chair of FIG. 1.
FIG. 4 is a right side view of the chair of FIG. 1.
FIG. 5 is a top view of the chair of FIG. 1.
FIG. 6 is a bottom view of the chair of FIG. 1; and,
FIG. 7 is a perspective view of the chair of FIG. 1.
The broken lines show portions of the chair that form no part of the claim.

1 Claim, 7 Drawing Sheets



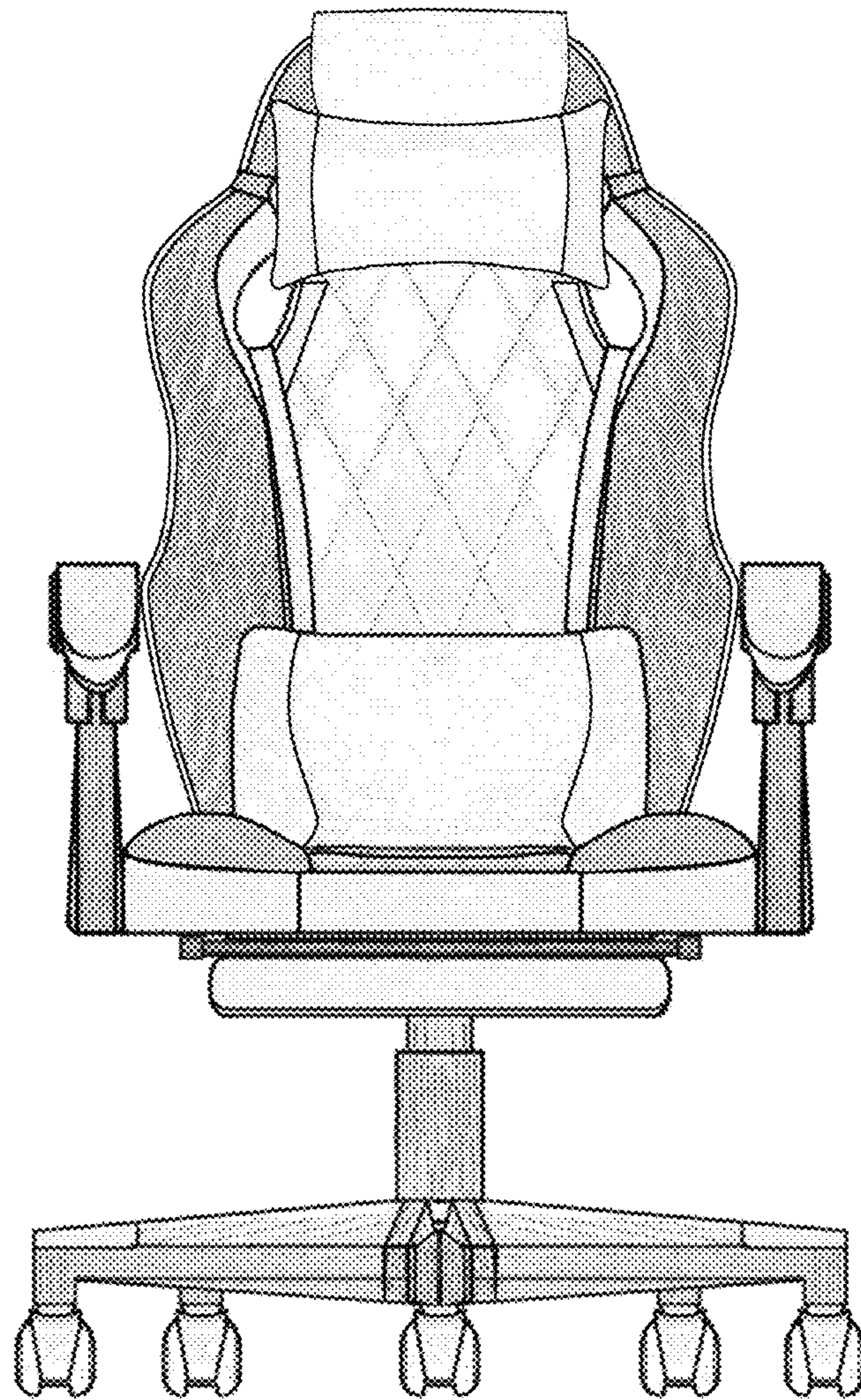


Fig. 1

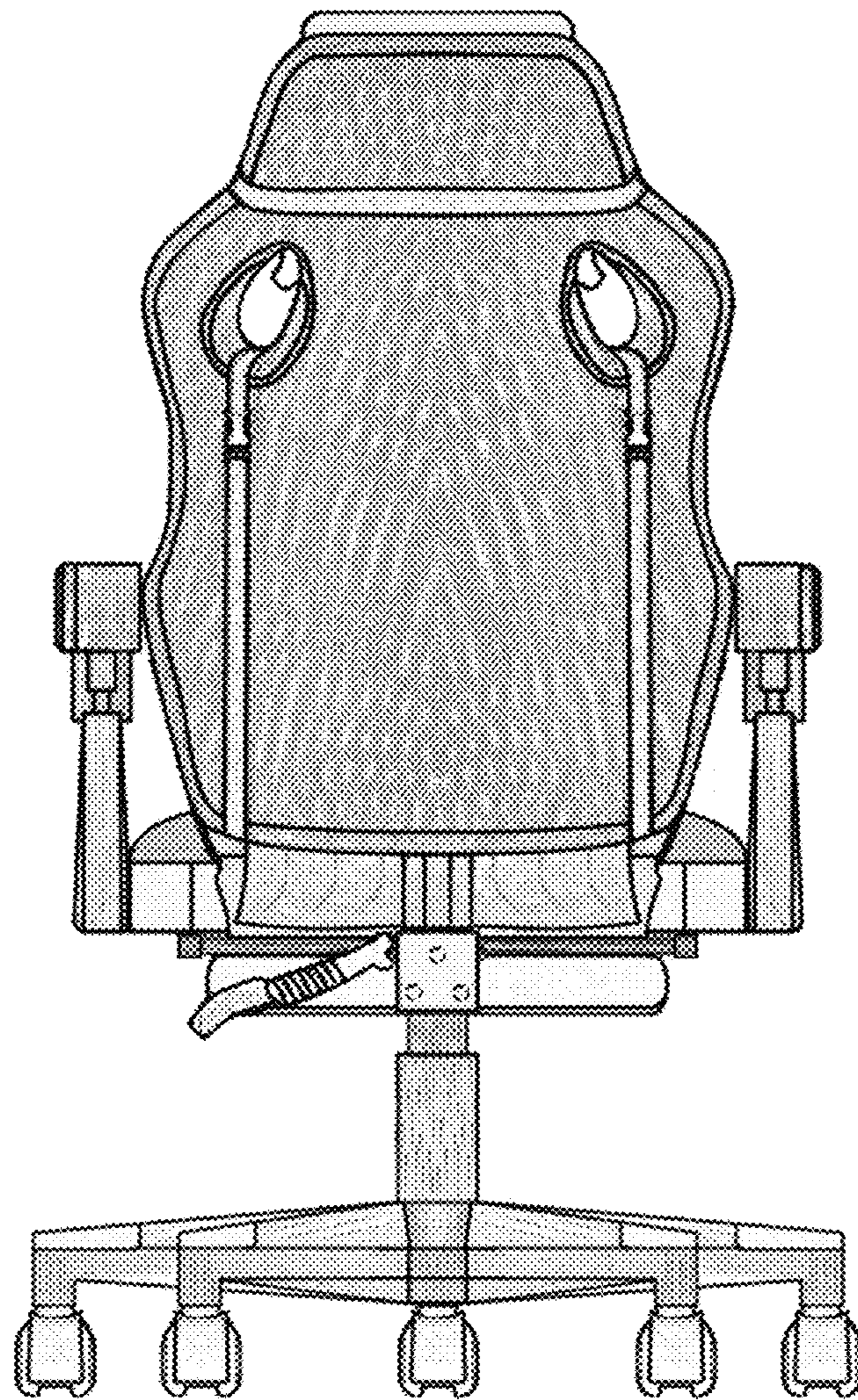


Fig. 2

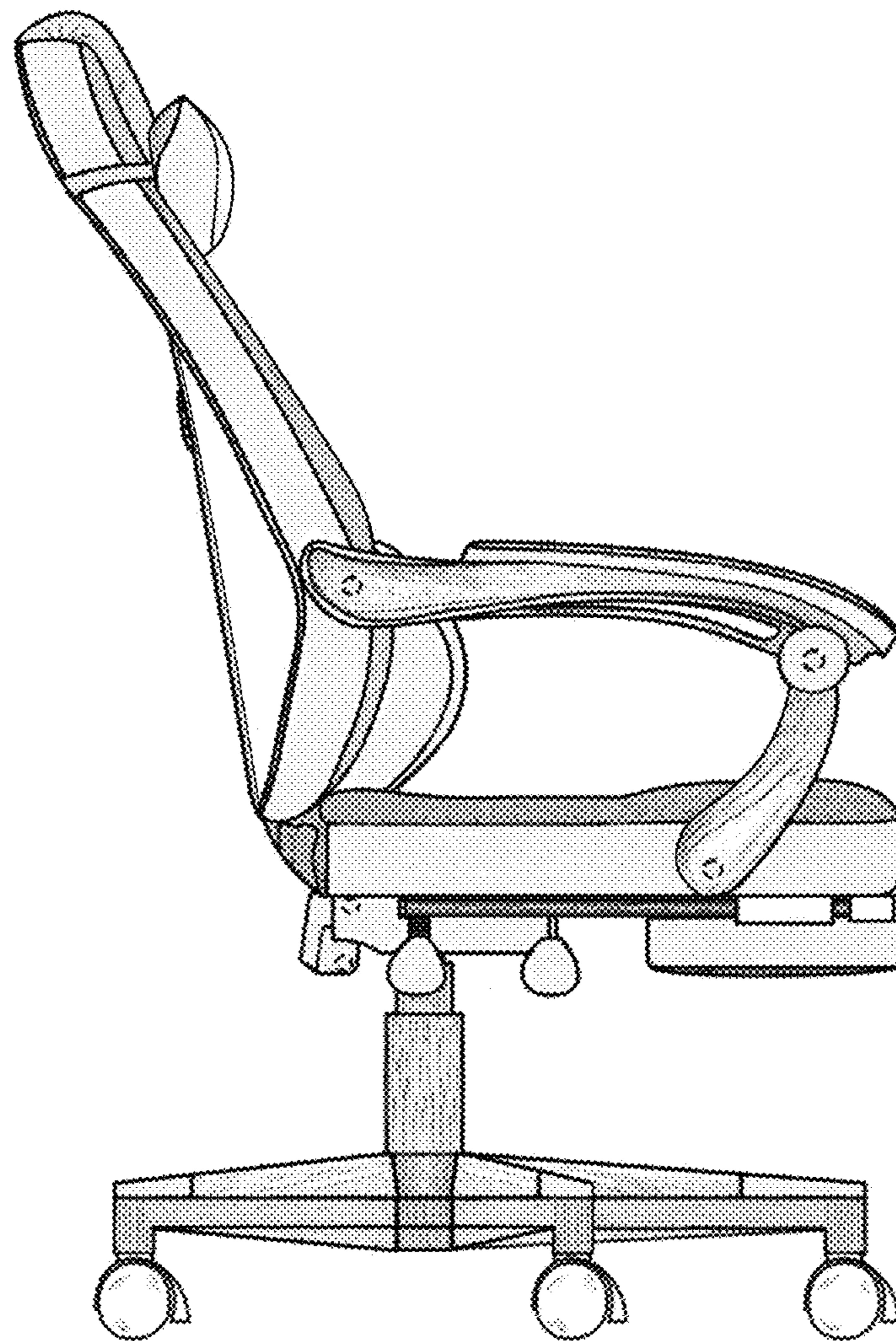


Fig. 3

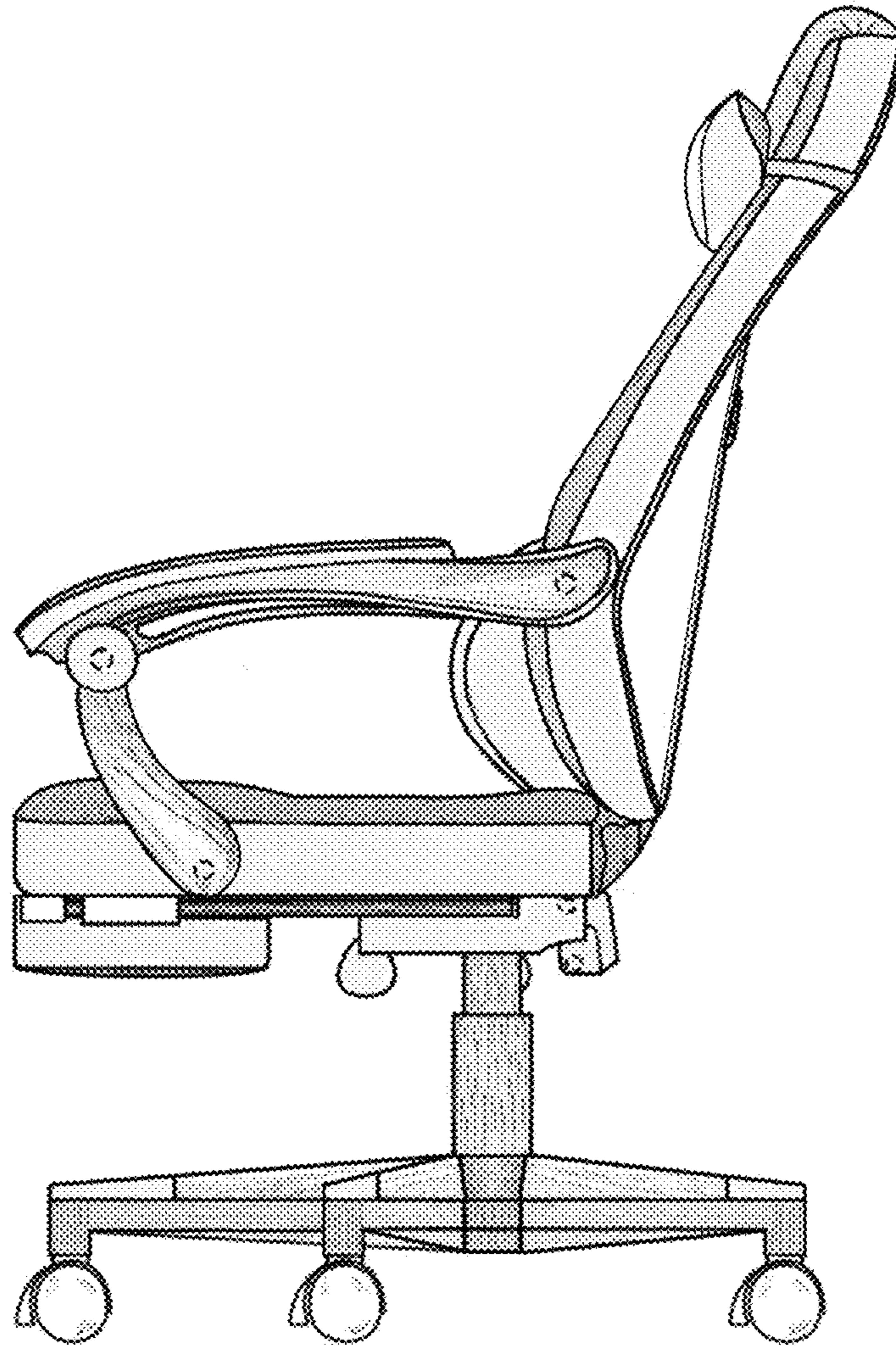


Fig. 4

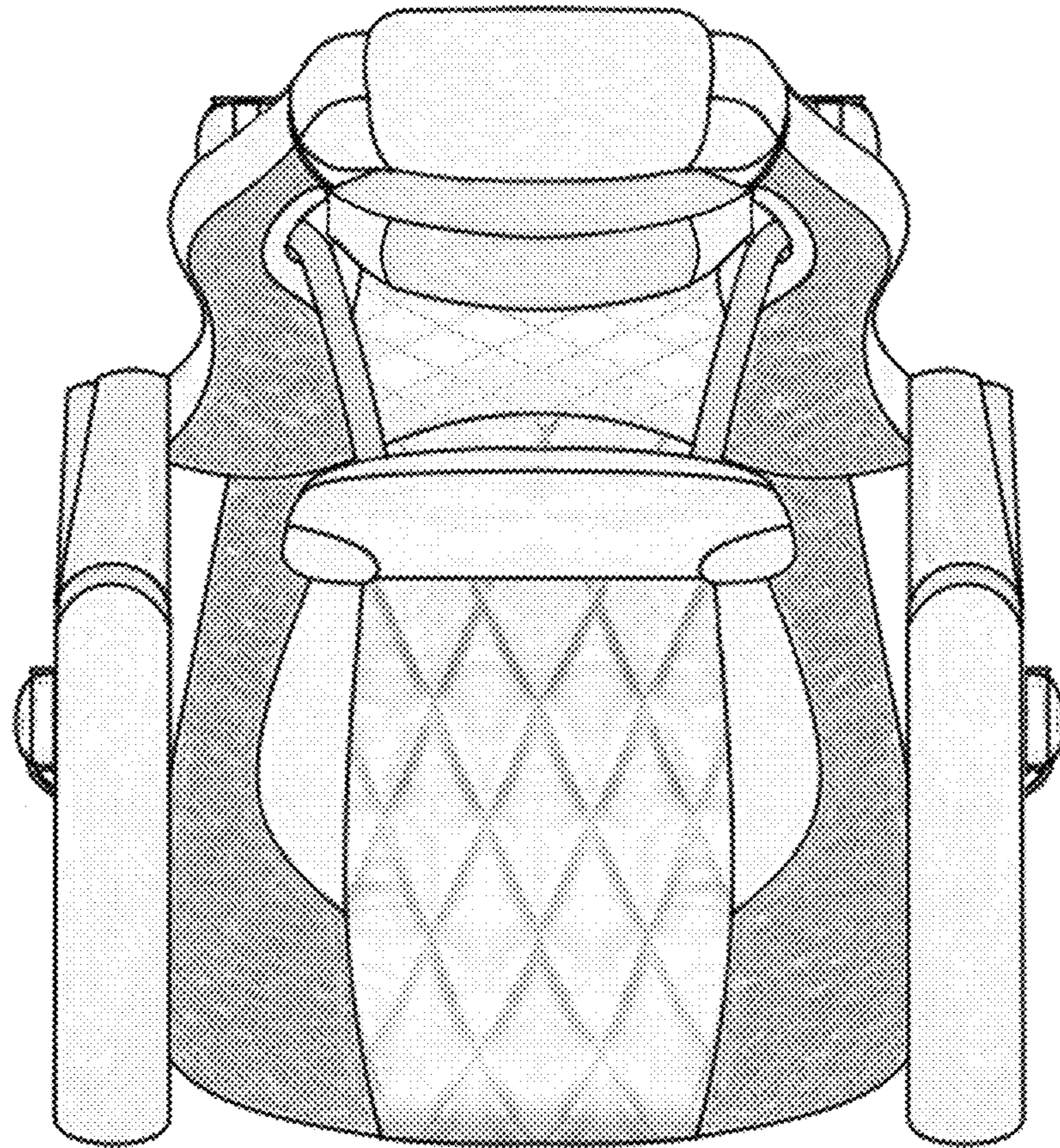


Fig. 5

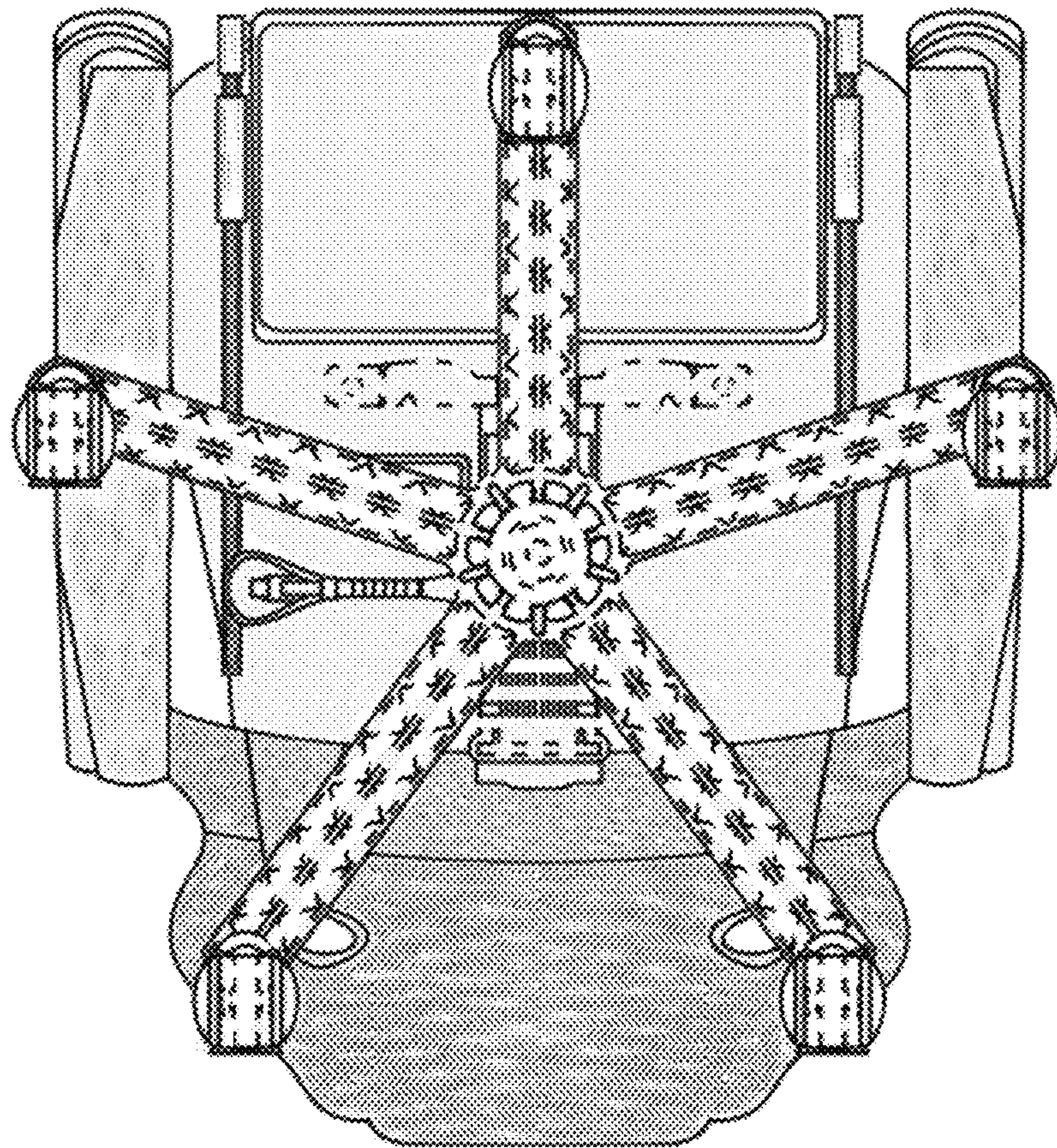


Fig. 6



Fig. 7