



US00D933982S

(12) **United States Design Patent**  
**Li**

(10) **Patent No.:** **US D933,982 S**

(45) **Date of Patent:** **\*\* Oct. 26, 2021**

(54) **CHAIR**

(71) Applicant: **Homy Casa Limited**, Hong Kong (HK)

(72) Inventor: **YueHai Li**, Guangzhou (CN)

(73) Assignee: **HOMY CASA LIMITED**, Hong Kong (HK)

(\*\*) Term: **15 Years**

(21) Appl. No.: **29/697,609**

(22) Filed: **Jul. 10, 2019**

(51) **LOC (13) Cl.** ..... **06-01**

(52) **U.S. Cl.**  
USPC ..... **D6/366**

(58) **Field of Classification Search**  
USPC ..... D6/334-336, 356, 364, 365, 366, 367,  
D6/374, 375, 379, 380, 716, 716.1, 716.3,  
D6/716.4  
CPC ..... A47C 4/028; A47C 7/004; A47C 7/006;  
A47C 7/18; A47C 7/24; A47C 7/38;  
A47C 7/40; B60N 2/02; B60N 2/20;  
B60N 2/22; B60N 2/58

See application file for complete search history.

(56) **References Cited**

**U.S. PATENT DOCUMENTS**

D851,436 S \* 6/2019 Shen ..... D6/716  
D851,974 S \* 6/2019 Shen ..... D6/716

D854,846 S \* 7/2019 Shen ..... D6/366  
D879,493 S \* 2/2020 Peng ..... D6/366  
D885,779 S \* 6/2020 Li ..... D6/366  
D891,136 S \* 7/2020 Wu ..... D6/366  
D897,709 S \* 10/2020 Li ..... D6/716

\* cited by examiner

*Primary Examiner* — Mimososa De

(74) *Attorney, Agent, or Firm* — Hauptman Ham, LLP

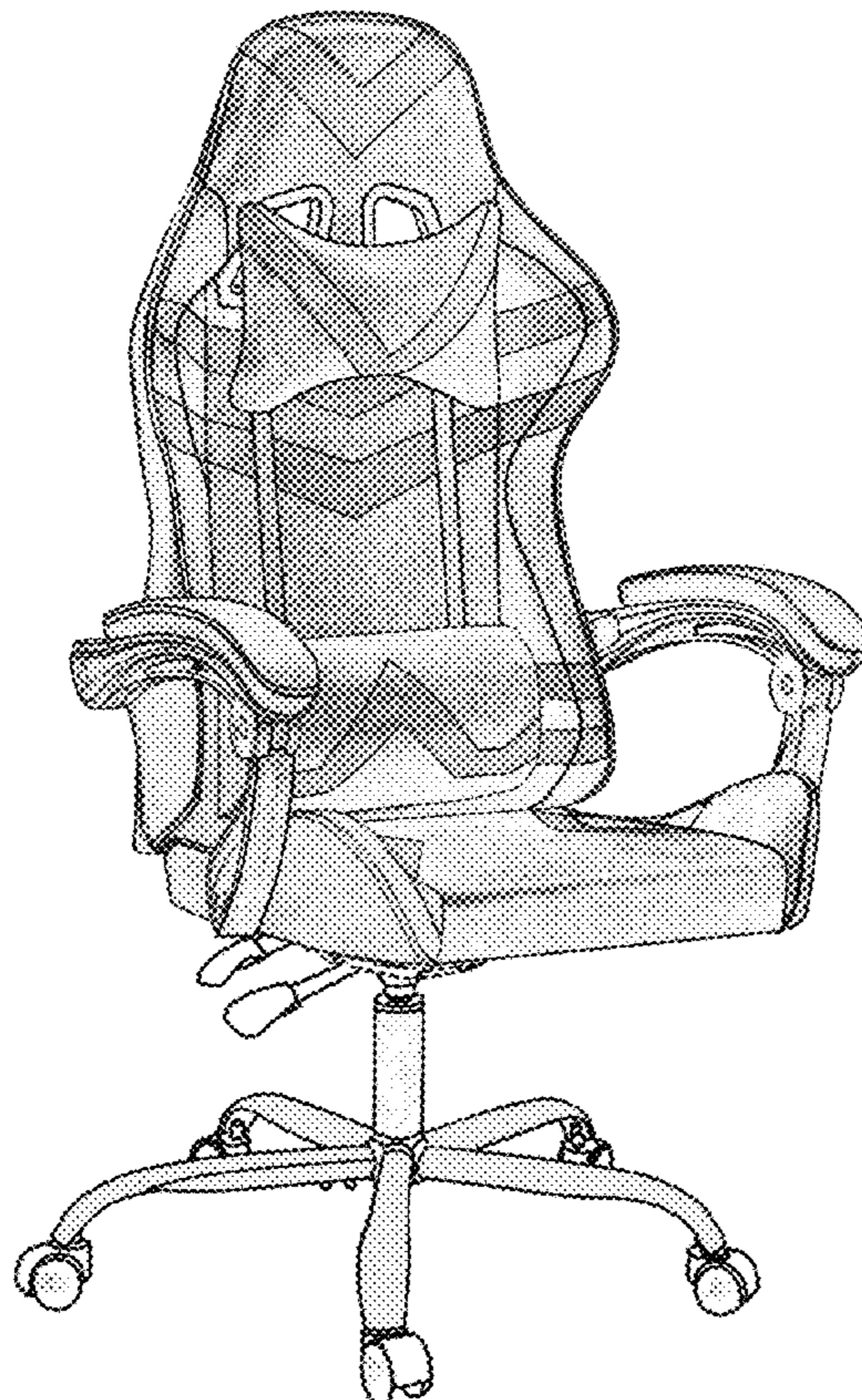
(57) **CLAIM**

The ornamental design for a chair, as shown and described.

**DESCRIPTION**

FIG. 1 is a front view of a chair bearing the design.  
FIG. 2 is a back view of the chair of FIG. 1.  
FIG. 3 is a left side view of the chair of FIG. 1.  
FIG. 4 is a right side view of the chair of FIG. 1.  
FIG. 5 is a top view of the chair of FIG. 1.  
FIG. 6 is a bottom view of the chair of FIG. 1; and,  
FIG. 7 is a perspective view of the chair of FIG. 1.  
The broken lines show portions of the chair that form no part of the claim.

**1 Claim, 7 Drawing Sheets**



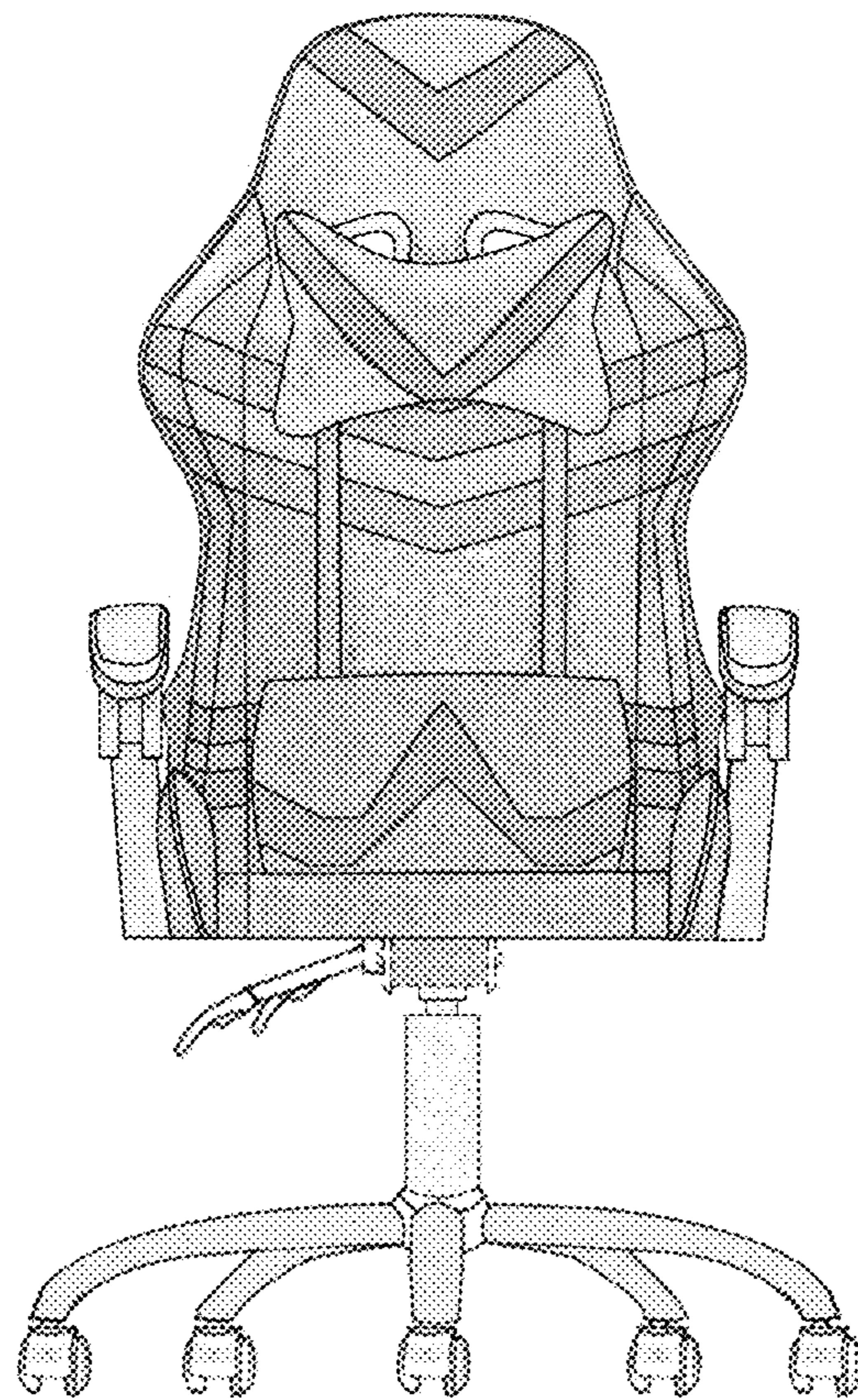


Fig. 1

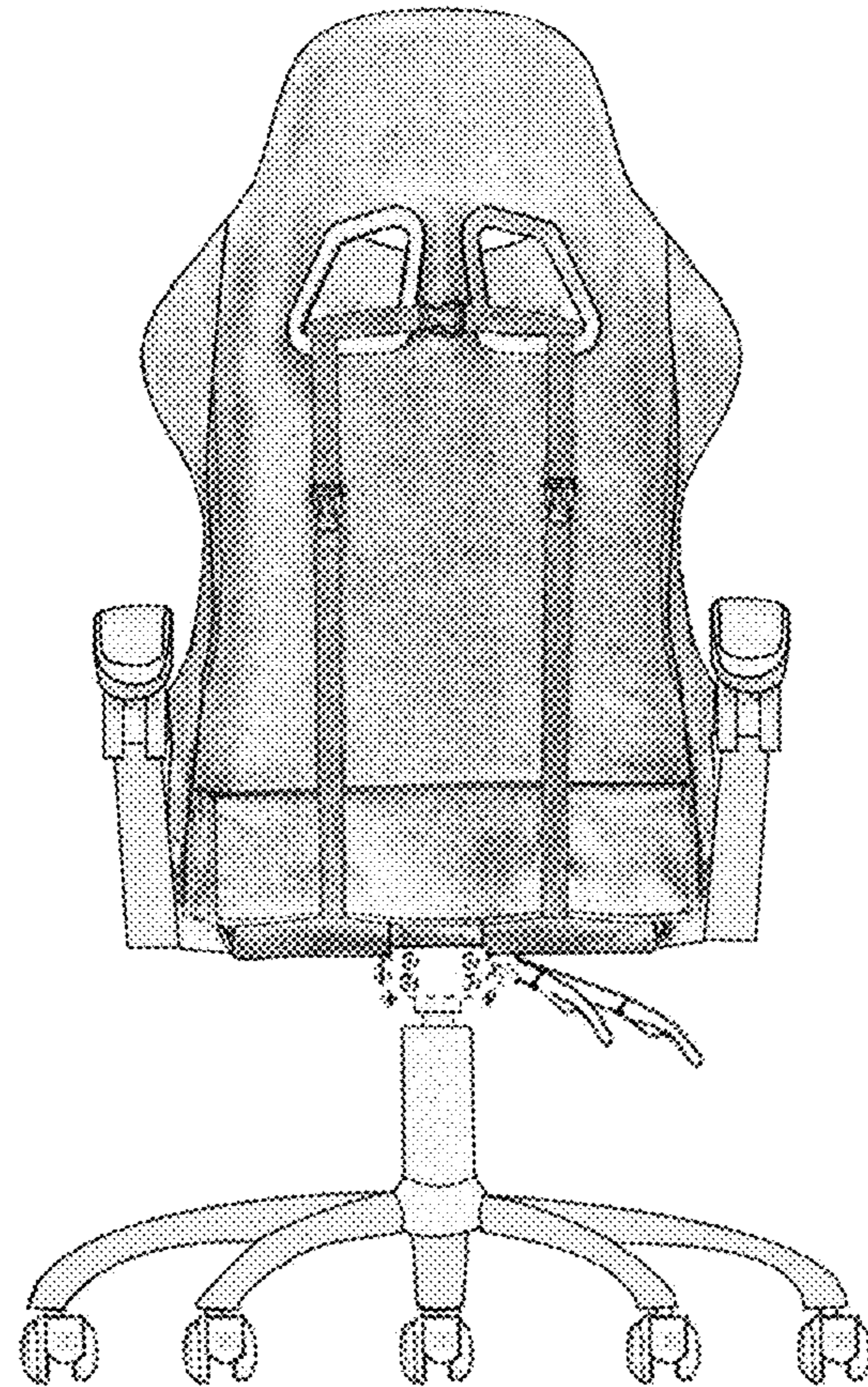


Fig. 2

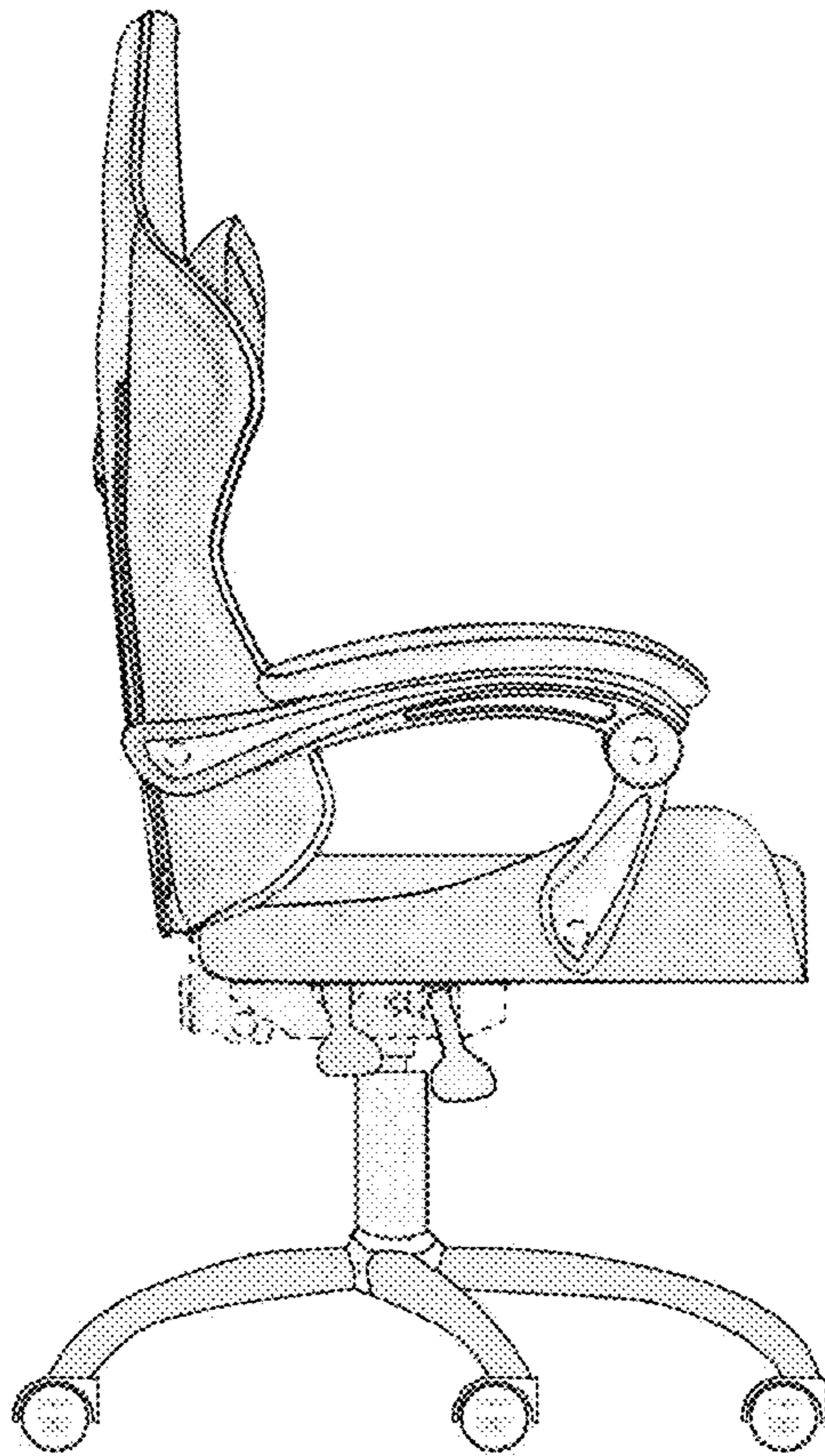


Fig. 3

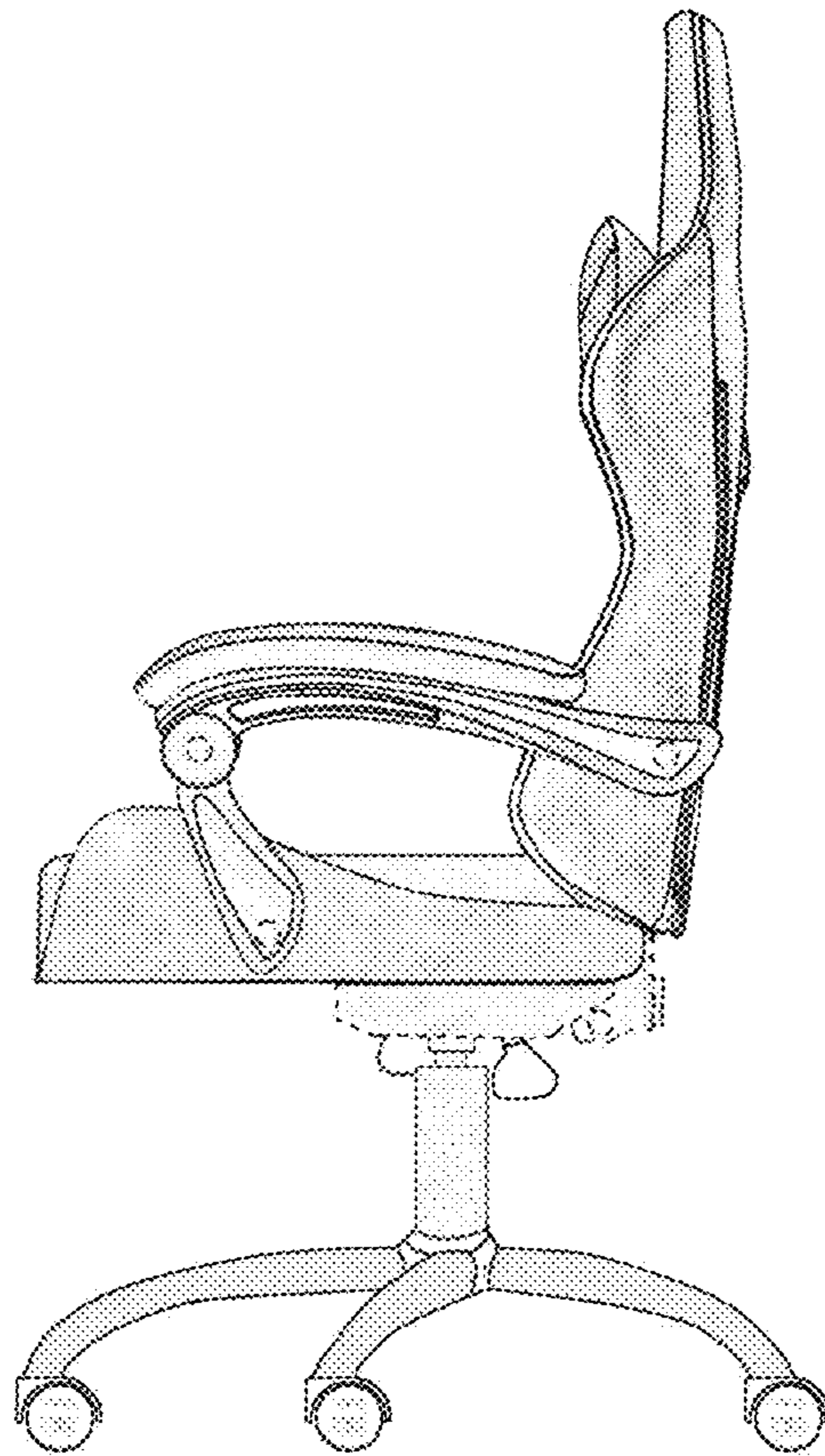


Fig. 4

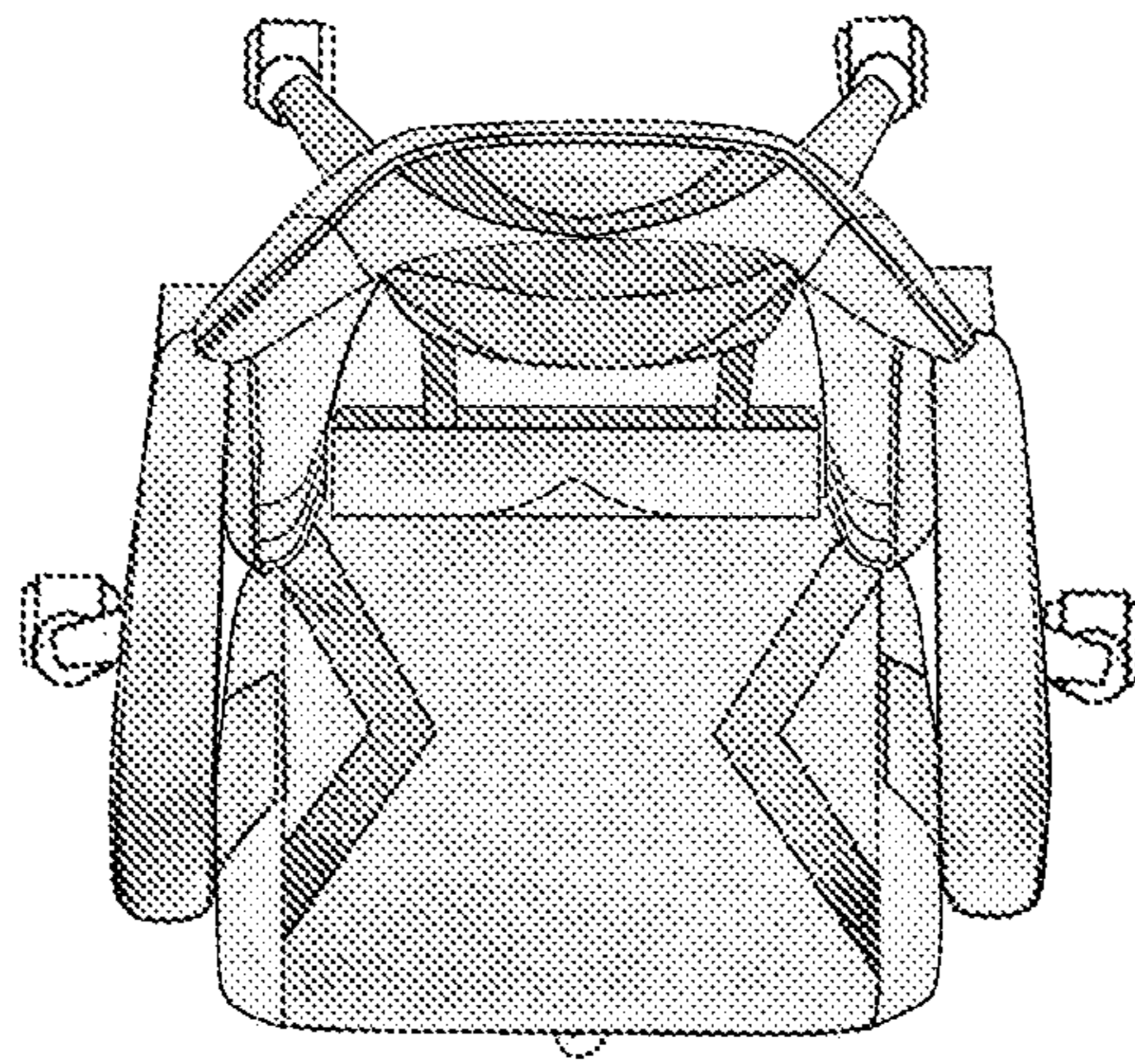


Fig. 5

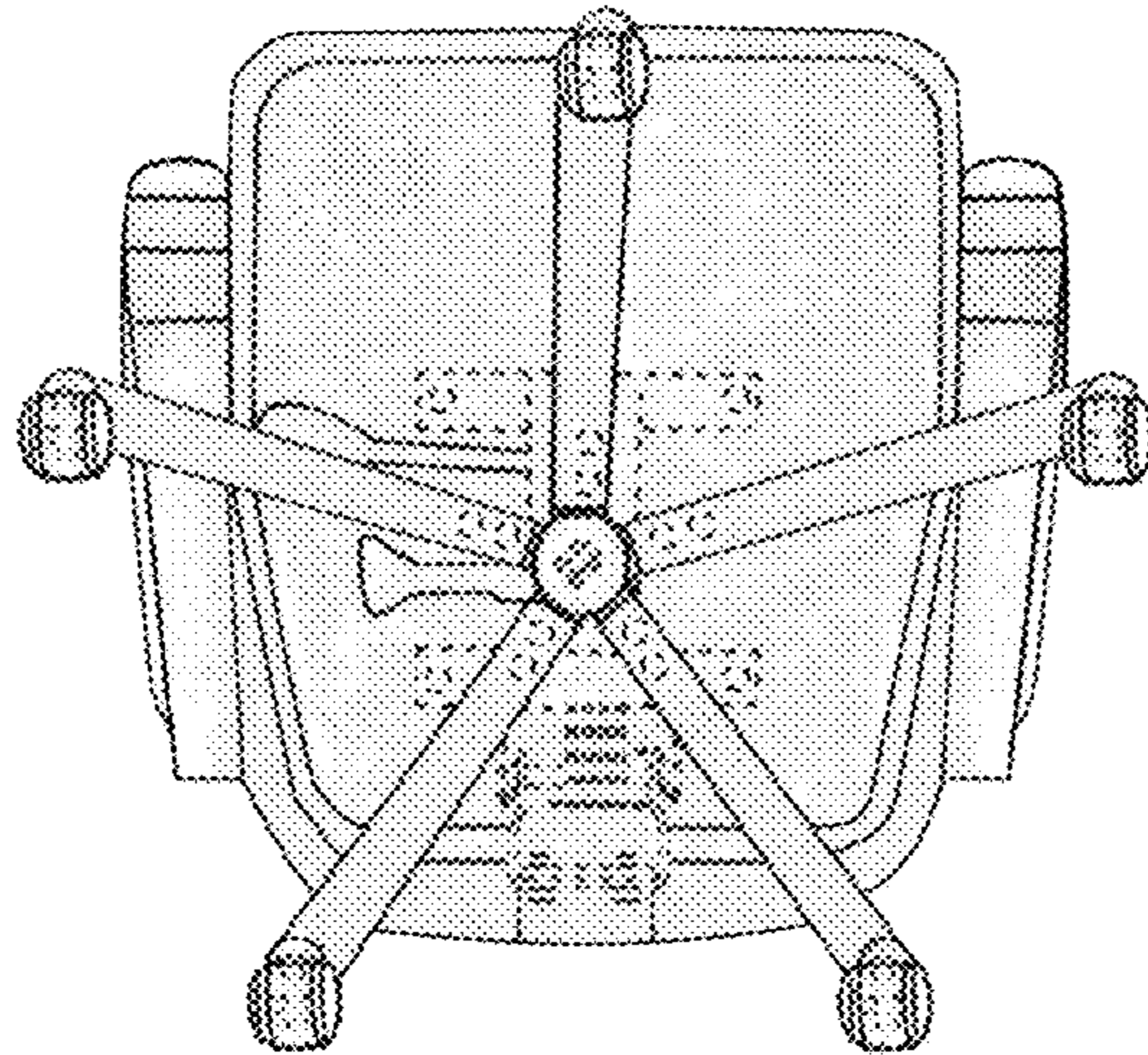


Fig. 6

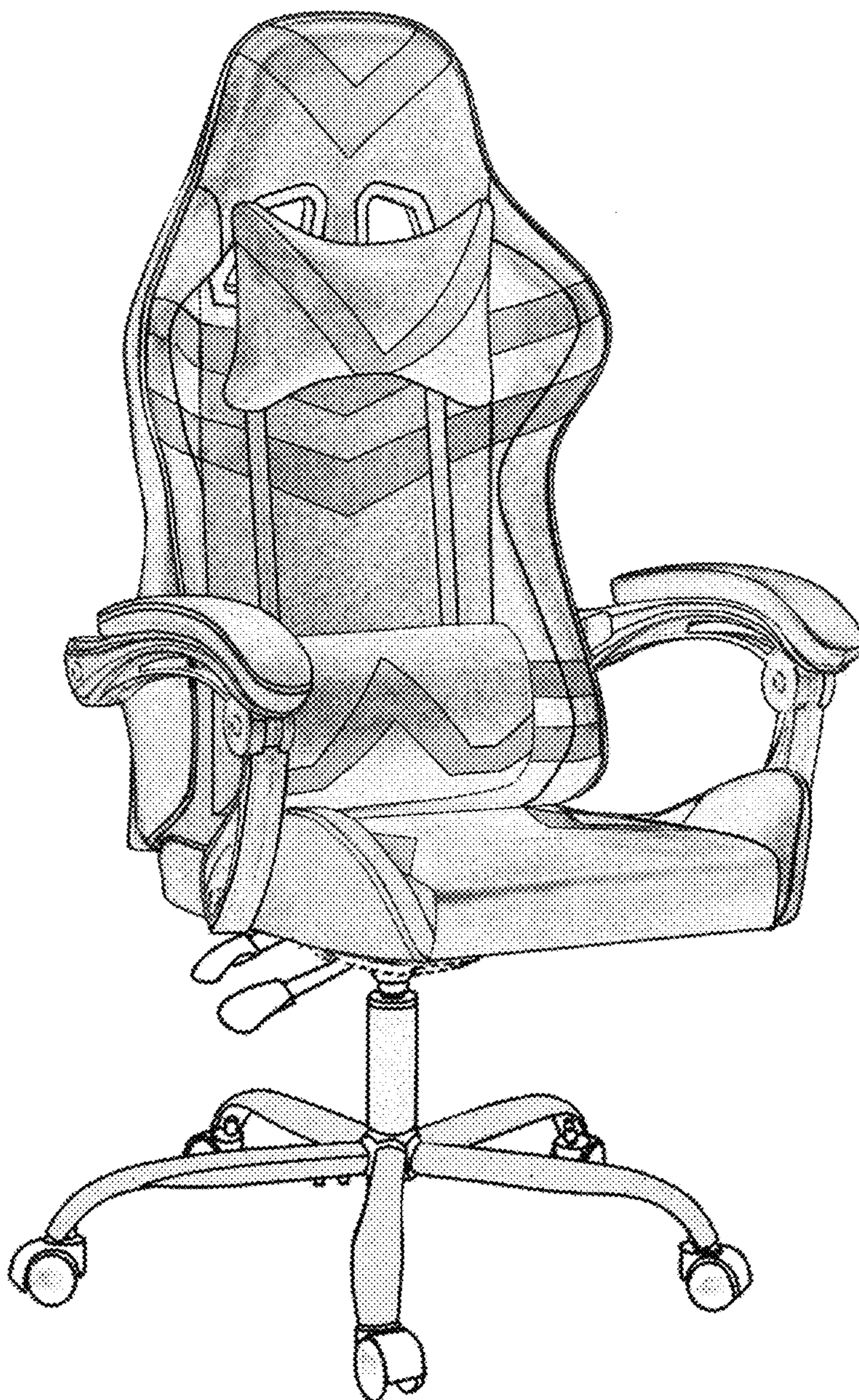


Fig. 7