



US00D933980S

(12) **United States Design Patent**
Blanchard

(10) **Patent No.:** **US D933,980 S**

(45) **Date of Patent:** **** Oct. 26, 2021**

(54) **BICYCLE SADDLE**

(71) Applicant: **Martin Lee Blanchard**, North
Charleston, SC (US)

(72) Inventor: **Martin Lee Blanchard**, North
Charleston, SC (US)

(**) Term: **15 Years**

(21) Appl. No.: **29/742,079**

(22) Filed: **Nov. 22, 2019**

(51) **LOC (13) Cl.** **06-01**

(52) **U.S. Cl.**
USPC **D6/354**

(58) **Field of Classification Search**
USPC D6/340, 354; D12/110, 111
CPC ... B62J 1/002; B62J 1/005; B62J 1/007; B62J
1/26
See application file for complete search history.

(56) **References Cited**

U.S. PATENT DOCUMENTS

D408,159 S *	4/1999	Clutton	D6/354
D431,920 S *	10/2000	Goldstein	D6/354
D502,609 S *	3/2005	Tonin	D6/354
D590,160 S *	4/2009	Hung	D6/354
D603,176 S *	11/2009	Kenney	D6/354
D660,609 S *	5/2012	Bertoncello	D6/354

D739,153 S *	9/2015	Kurata	D6/354
D760,507 S *	7/2016	Marcel	D6/354
D773,839 S *	12/2016	Player	D6/354
D784,033 S *	4/2017	Li	D6/354
D787,211 S *	5/2017	Schwary	D6/354
D846,896 S *	4/2019	Hain	D6/354
D846,898 S *	4/2019	Kenney	D6/354

* cited by examiner

Primary Examiner — Natasha Vujcic

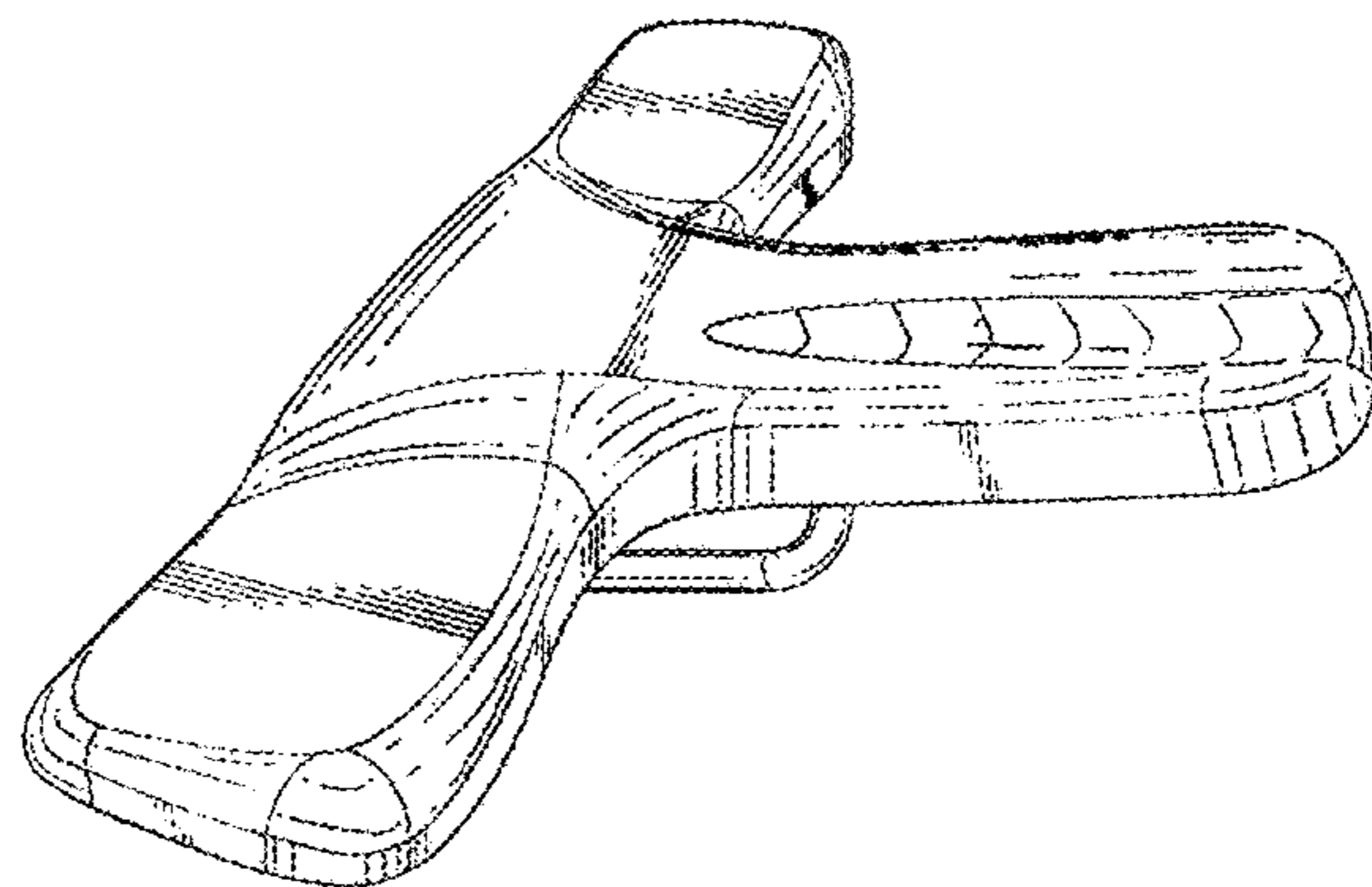
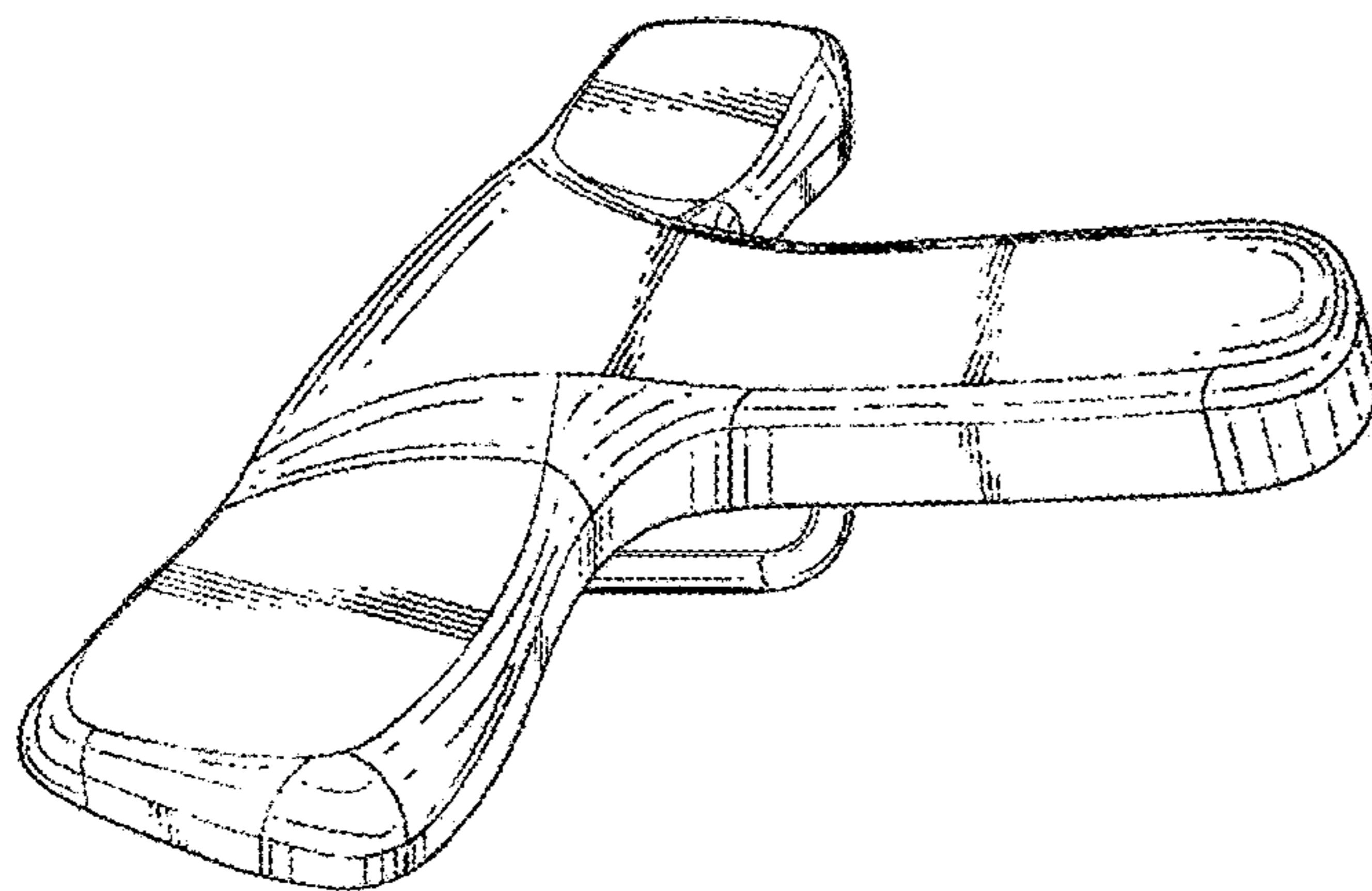
(57) **CLAIM**

I claim the ornamental design for a bicycle saddle, as shown and described.

DESCRIPTION

FIG. 1 is a top perspective view of a bicycle saddle showing a first embodiment of my new design;
FIG. 2 is a front elevation view of FIG. 1;
FIG. 3 is a top plan view of FIG. 1;
FIG. 4 is a bottom plan view of FIG. 1;
FIG. 5 is a right side elevation view of FIG. 1, the left side view being a mirror image thereof;
FIG. 6 is a rear elevation view of FIG. 1;
FIG. 7 is a top perspective view of a second embodiment thereof; and,
FIG. 8 is a front elevation view of FIG. 7.
The broken lines in the drawings illustrate portions of the bicycle saddle which form no part of the claimed design.

1 Claim, 5 Drawing Sheets



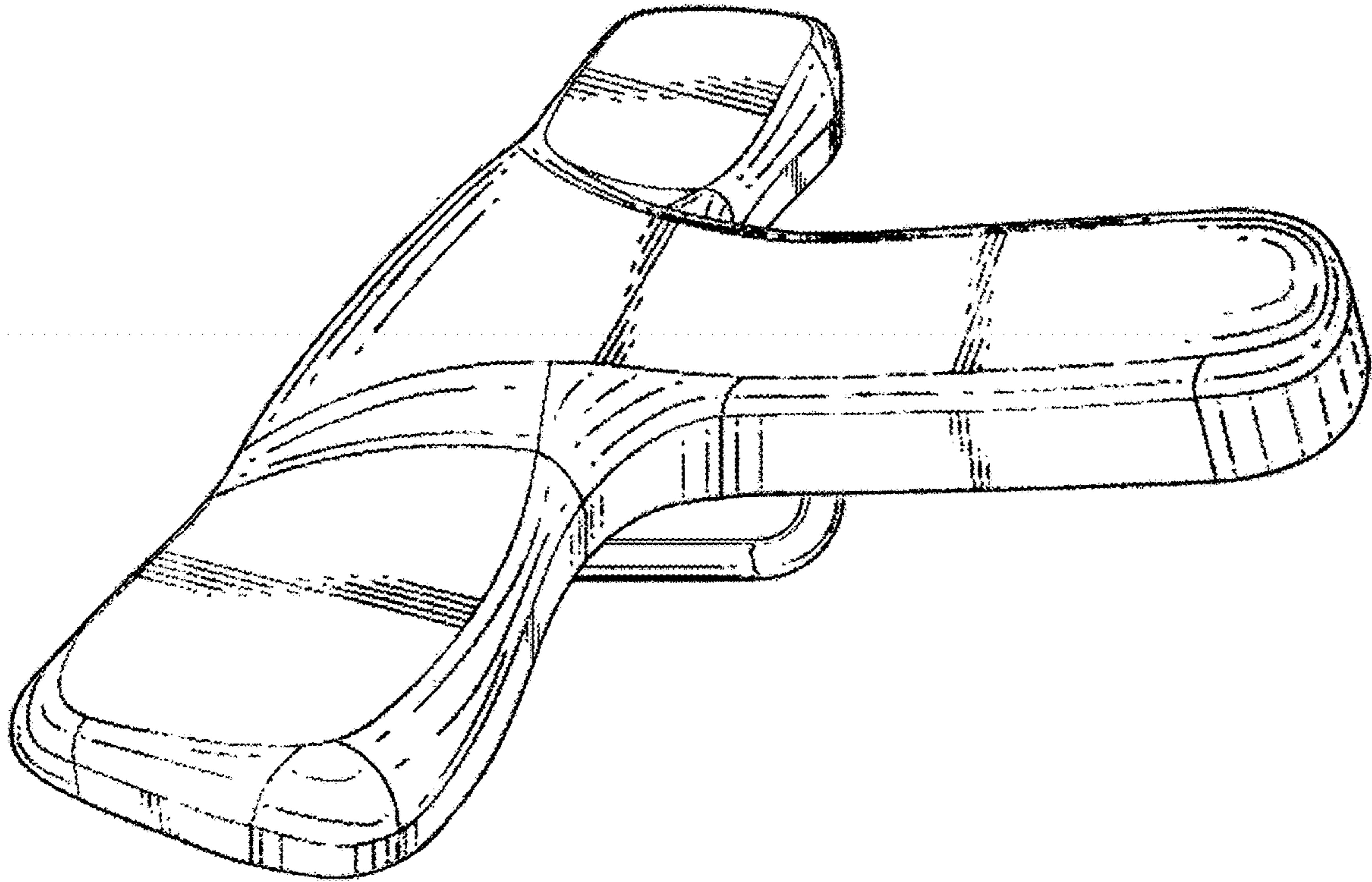


FIG.1

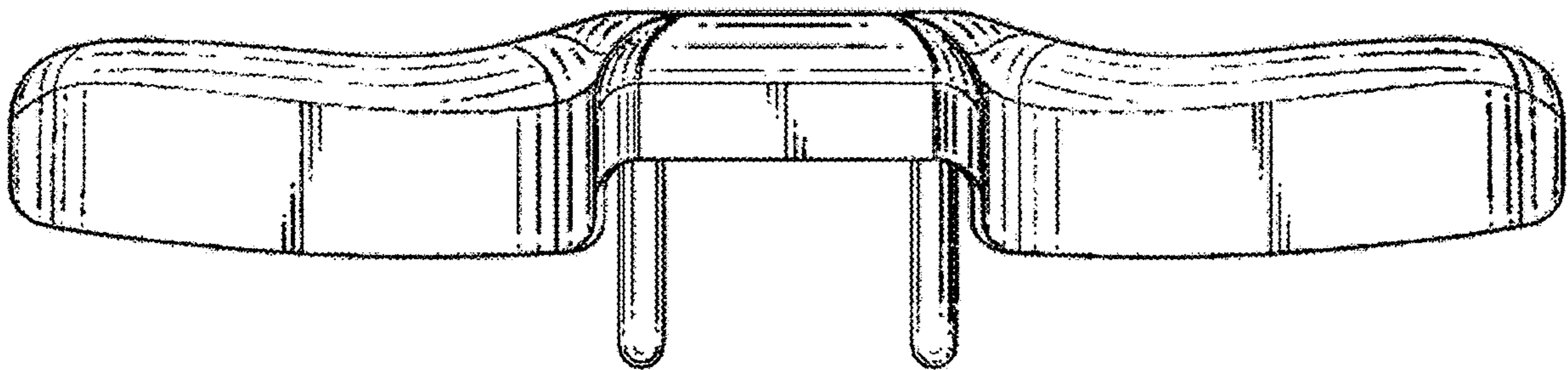


FIG.2

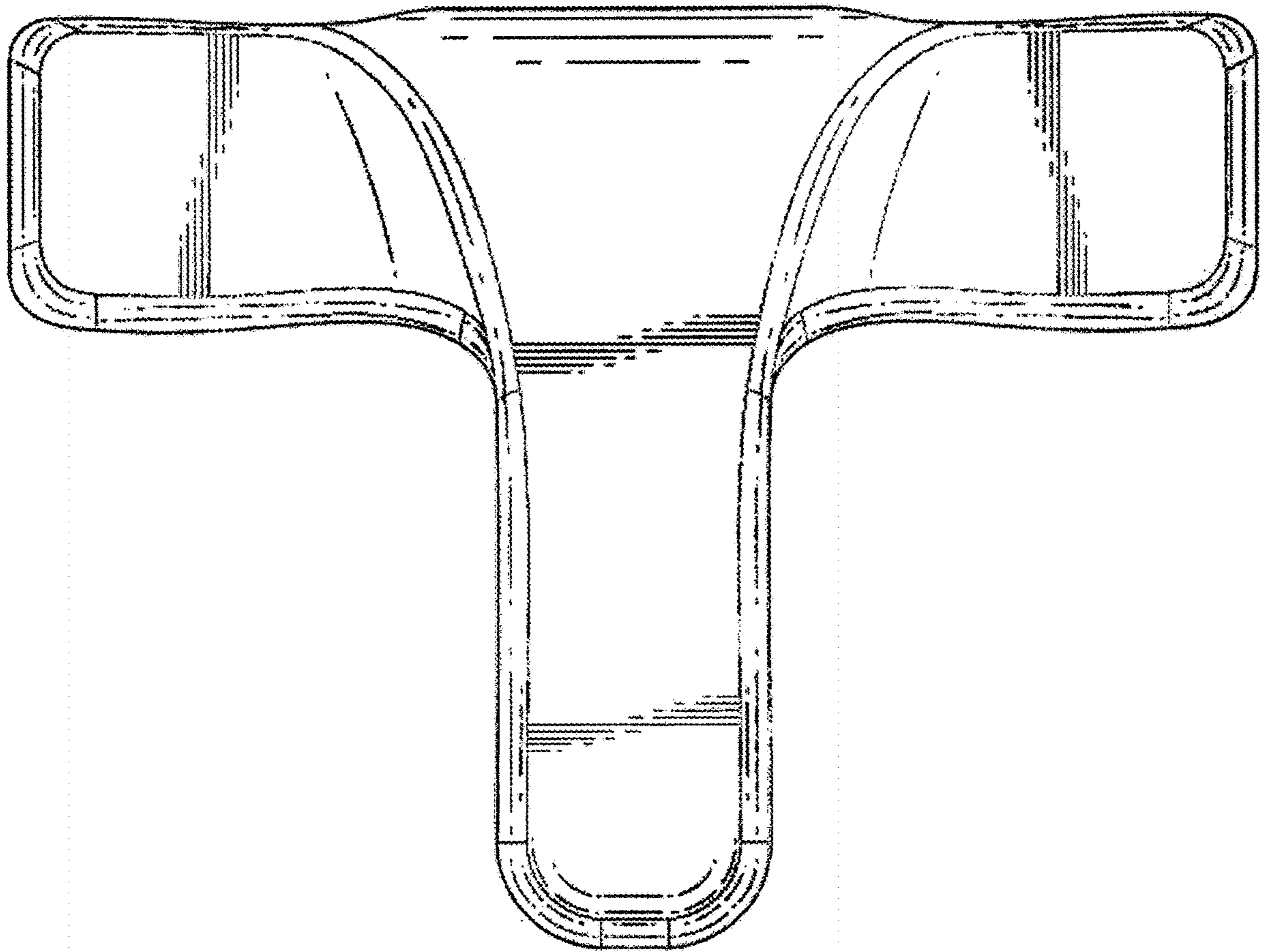


FIG. 3

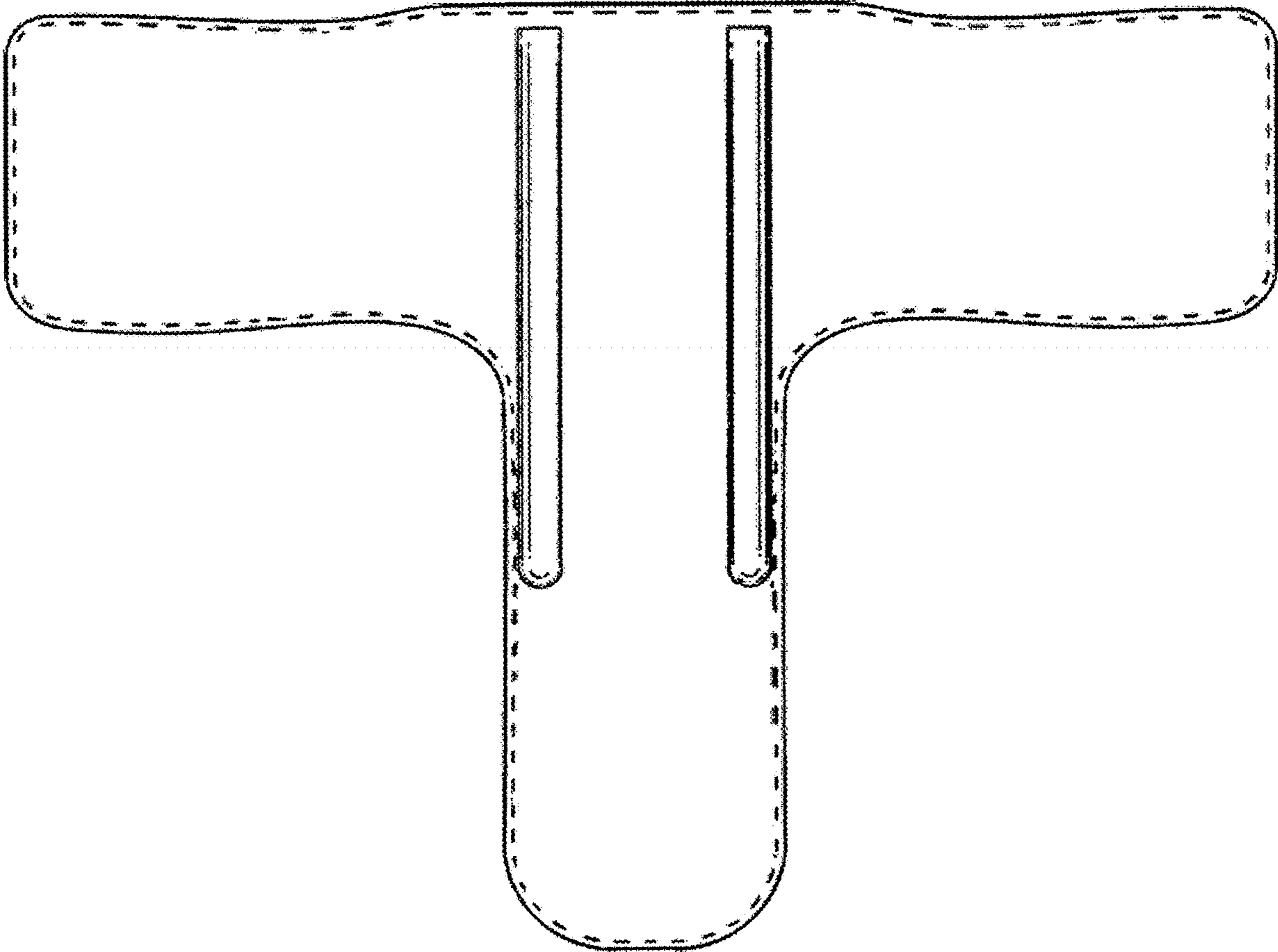


FIG.4

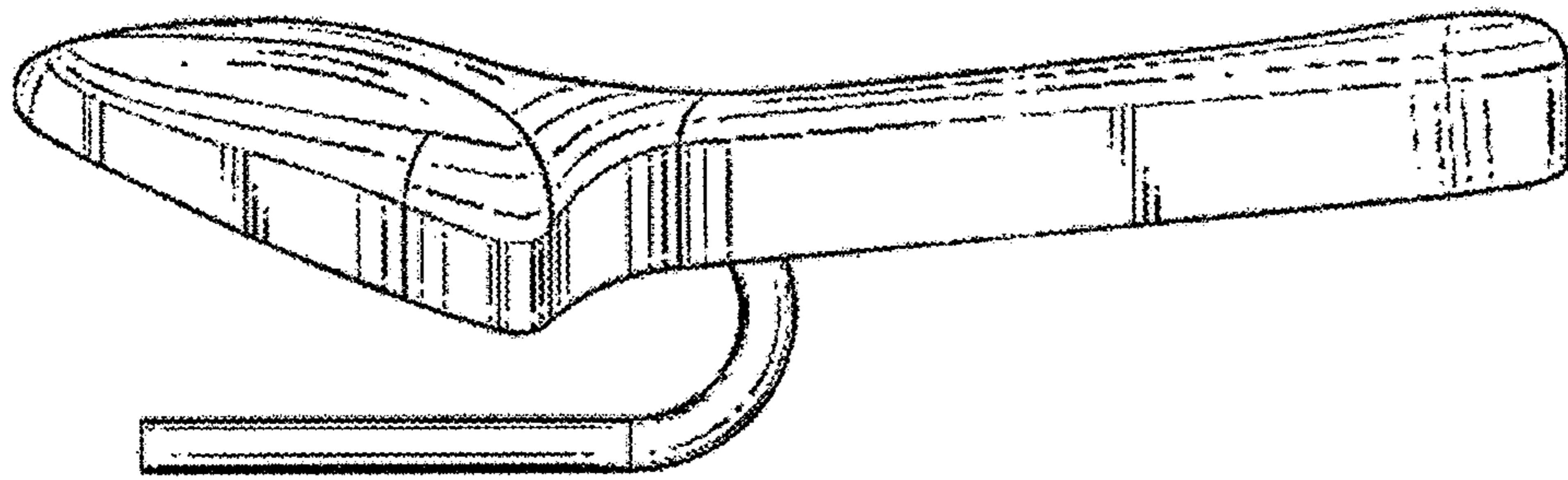


FIG.5

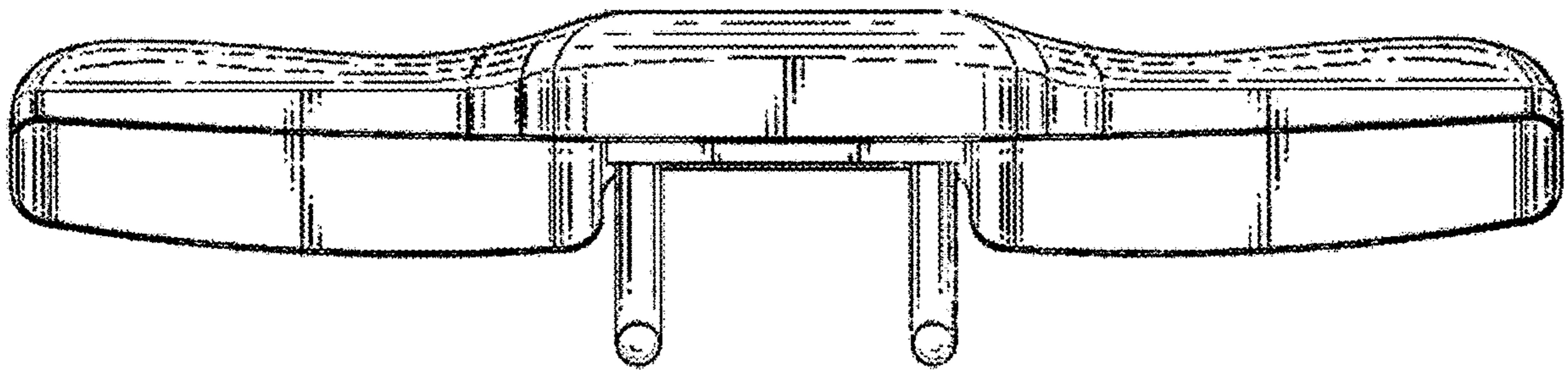


FIG.6

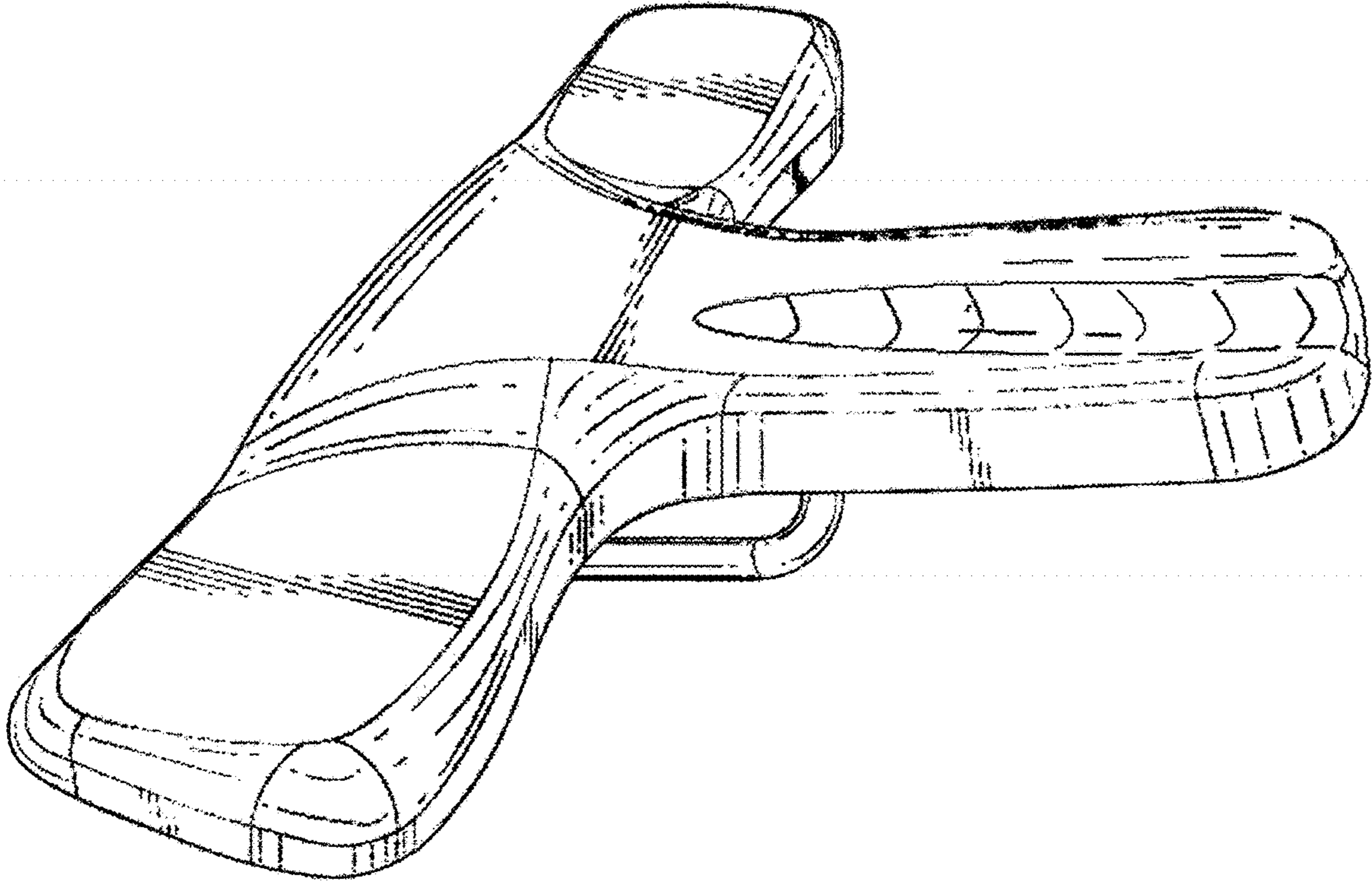


FIG. 7

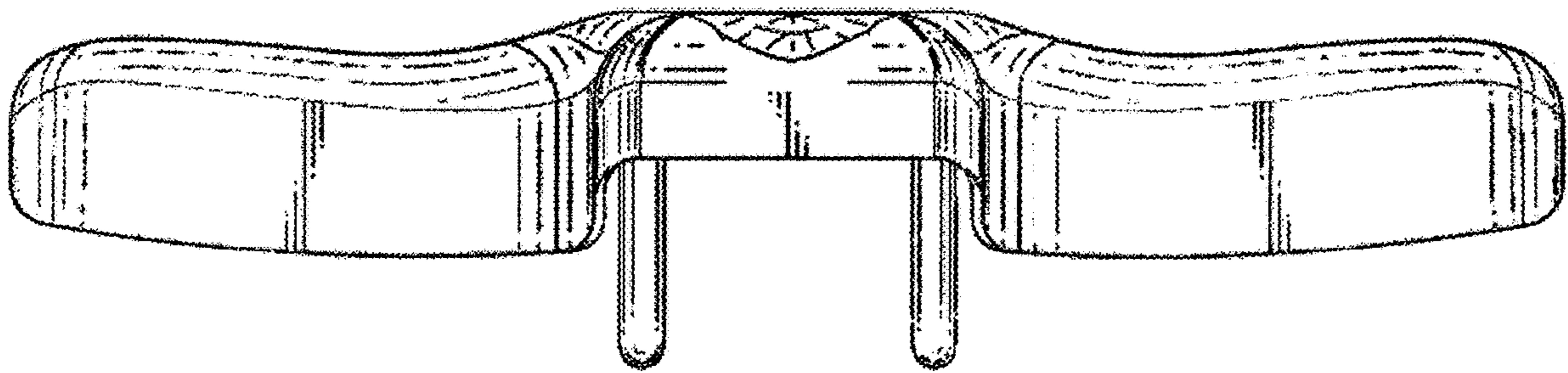


FIG. 8