



US00D933978S

(12) **United States Design Patent** (10) **Patent No.:** **US D933,978 S**
Wehner (45) **Date of Patent:** **** Oct. 26, 2021**

(54) **SPHERICAL-SHAPED HANGING CHAIR**

OTHER PUBLICATIONS

(71) Applicant: **Worldwide Creations, LLC**, Clio, MI (US)

(72) Inventor: **Scott D. Wehner**, Clio, MI (US)

(73) Assignee: **Worldwide Creations, LLC**, Clio, MI (US)

(**) Term: **15 Years**

(21) Appl. No.: **29/744,814**

(22) Filed: **Jul. 31, 2020**

Internet Archive Wayback Machine capture of The Floating Bed, <https://web.archive.org/web/20030512020135/http://www.floatingbed.com:80/bigger-view/outdoor-tent-bed-tree.html> <<https://web.archive.org/web/20030512020135/http://www.floatingbed.com:80/bigger-view/outdoor-tent-bed-tree.html>>, capture dated May 12, 2003, print-out dated Aug. 16, 2017.

(Continued)

Primary Examiner — Kevin K Rudzinski

Assistant Examiner — Paul D Bohannon

(74) *Attorney, Agent, or Firm* — Young Basile Hanlon & MacFarlane, P.C.

Related U.S. Application Data

(62) Division of application No. 29/717,754, filed on Dec. 19, 2019, now Pat. No. Des. 899,166, which is a division of application No. 29/635,681, filed on Feb. 1, 2018, now Pat. No. Des. 871,785.

(Continued)

(51) **LOC (13) Cl.** **06-01**

(52) **U.S. Cl.**
USPC **D6/347**

(58) **Field of Classification Search**
USPC D6/334, 341, 342, 347, 360, 364, 365, D6/386, 387, 389, 643, 650, 677, 716,
(Continued)

(56) **References Cited**

U.S. PATENT DOCUMENTS

979,037 A 12/1910 Searle
D44,625 S 9/1913 De Yoos
(Continued)

FOREIGN PATENT DOCUMENTS

EM 000963707-0001 7/2008
EM 000963707-0002 7/2008
GB 814554 A 6/1959

(57) **CLAIM**

The ornamental design for a spherical-shaped hanging chair, as shown and described.

DESCRIPTION

FIG. 1 is a front perspective view of a spherical-shaped hanging chair in its environment.

FIG. 2 is a rear perspective view of the spherical-shaped hanging chair of FIG. 1 in its environment.

FIG. 3 is a front view of the spherical-shaped hanging chair of FIG. 1.

FIG. 4 is a rear view of the spherical-shaped hanging chair of FIG. 1.

FIG. 5 is a left-side view of the spherical-shaped hanging chair of FIG. 1.

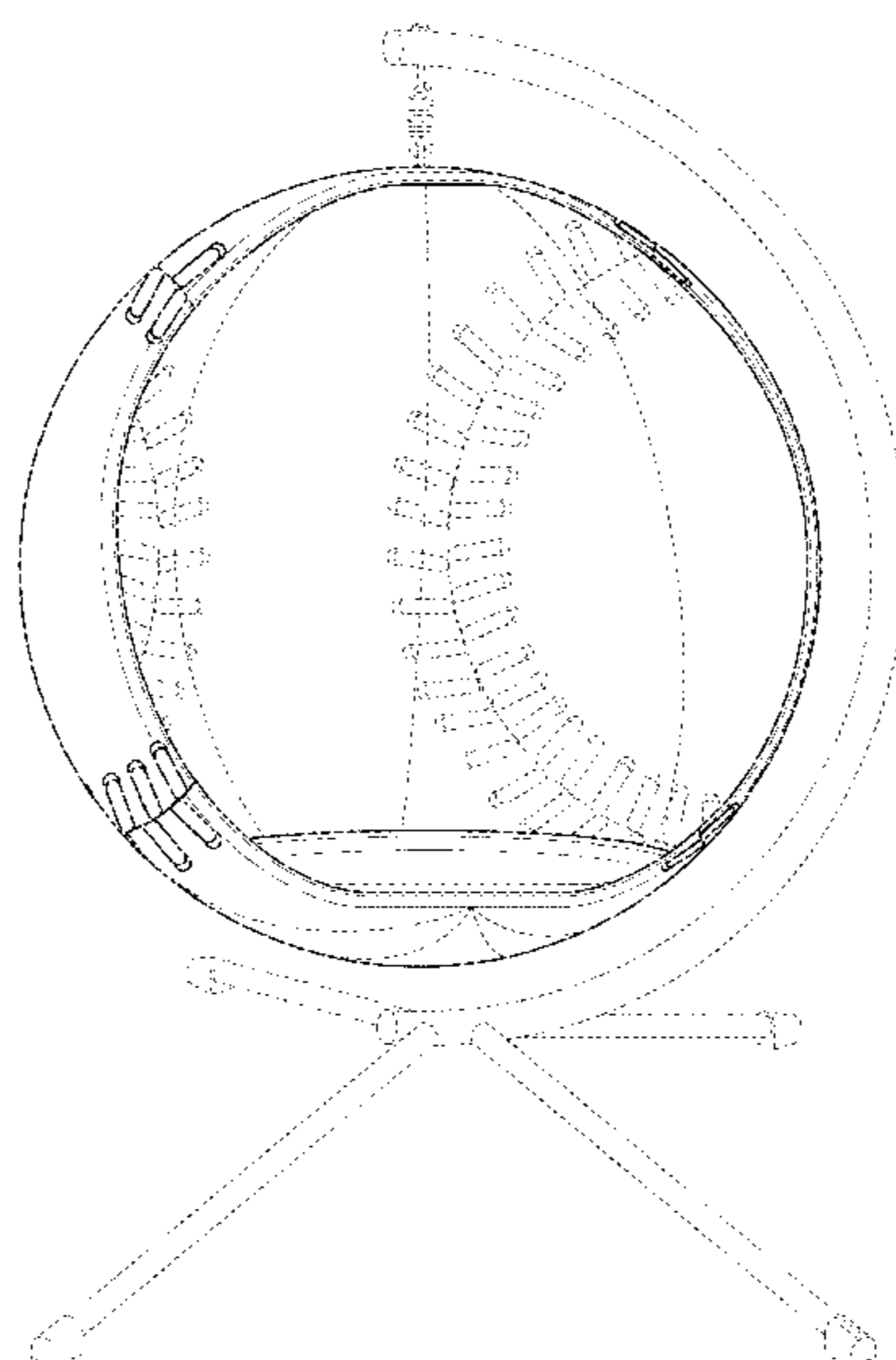
FIG. 6 is a right-side view of the spherical-shaped hanging chair of FIG. 1.

FIG. 7 is a top view of the spherical-shaped hanging chair of FIG. 1; and,

FIG. 8 is a bottom view of the spherical-shaped hanging chair of FIG. 1.

In the drawings, the ornamental design that is claimed is shown in solid lines. The broken lines shown in the drawings are for the purpose of illustrating environmental structure and form no part of the claimed design.

1 Claim, 8 Drawing Sheets



US D933,978 S

- (58) **Field of Classification Search**
 USPC D6/718.1, 718.11, 344, 359, 368, 369,
 D6/708.16, 339, 348, 385, 611; D21/521,
 D21/797, 707, 713, 781; D23/292;
 D12/52, 322; D30/124, 128
 CPC A47C 3/02; A47C 3/12; A47C 3/18; A47C
 3/26; A47C 3/0255; A47C 4/24; A47C
 5/02; A47C 7/443; A47C 15/008; A47C
 17/84; A47C 4/02; A47C 4/18; A47C
 4/30; A47C 4/42; A47C 4/286; A47C
 5/04; A47D 9/00; A47D 13/02; A47D
 13/10; A47D 13/105; A47D 9/02; A47D
 9/04; A47D 13/107; A63G 9/00; A63G
 9/02; A63G 1/20; A63G 9/04; A63G
 9/14; A63G 9/12; A63G 9/16; A45F 3/22;
 A45F 3/24; A45F 3/26; F21S 4/15; F21S
 4/20; F21S 4/28; F21S 6/00; F21S 8/063;
 F21V 17/007; F21V 17/02; F21V 3/02;
 F21V 21/14; F21V 21/08; E04H 4/108;
 E04H 15/38; E04H 15/28; E04B 1/3441;
 B44C 5/00; A63B 69/0091; A63B 19/04;
 A61G 15/005
- See application file for complete search history.

D306,196	S	2/1990	Muirhead
D309,681	S	8/1990	Solomon et al.
D309,683	S	8/1990	Solomon
D323,535	S	1/1992	Foenander et al.
5,097,545	A	3/1992	Hooi
D330,223	S	10/1992	Crum
D331,158	S	11/1992	Hooi
D336,378	S	6/1993	Kittridge
D346,070	S	4/1994	Kither
D348,161	S	6/1994	Craig, III
D348,361	S	7/1994	Beecher
D349,008	S	7/1994	Minor
D349,631	S	8/1994	Redmon
D350,699	S	9/1994	Lincourt
D354,371	S	1/1995	Wood
D354,639	S	1/1995	Stoddard
D354,641	S	1/1995	Stoddard
D355,334	S	2/1995	Minor
D357,386	S	4/1995	Jones
5,439,016	A	8/1995	Grahn
D364,287	S	11/1995	Jurasinski
D366,064	S	1/1996	Milojevich
5,511,258	A	4/1996	Barr, Sr.
D369,476	S	5/1996	Quill
D374,127	S	10/1996	Diaz
D375,422	S	11/1996	Jurasinski
5,588,702	A	12/1996	Litwin
D384,211	S	9/1997	Wied et al.
5,695,253	A	12/1997	Jenkins
D392,913	S	3/1998	Edwards
D393,303	S	4/1998	Van Wagenen
D396,642	S	8/1998	Lai
D401,605	S	* 11/1998	Shirley D16/227
D405,639	S	* 2/1999	Clark D7/515
D408,877	S	4/1999	Sonntag
5,918,615	A	7/1999	Stuck, Sr.
5,944,381	A	8/1999	Nguyen
D414,045	S	9/1999	Morrow
D416,770	S	11/1999	Thorpe
D419,387	S	1/2000	Hansen
D419,389	S	1/2000	Hansen
D420,520	S	2/2000	Johnston
D420,552	S	2/2000	Hansen
D420,861	S	2/2000	Hansen
D421,033	S	2/2000	Shirley
D421,034	S	2/2000	Shirley et al.
D421,035	S	2/2000	Shirley
D422,155	S	4/2000	Rougie
D431,136	S	9/2000	Palardis
D436,382	S	1/2001	Podd et al.
6,212,811	B1	4/2001	Jones
D442,884	S	5/2001	Olinger
D442,885	S	5/2001	Olinger
D443,229	S	6/2001	Olinger
D446,267	S	8/2001	Feeney
6,401,404	B1	6/2002	Fillipp et al.
D463,515	S	9/2002	Kulp
6,474,843	B2	11/2002	Shieh
D469,145	S	1/2003	Underwood
D469,628	S	2/2003	Strohfus
D489,103	S	4/2004	Jandorf
6,752,732	B2	6/2004	Morrison et al.
D496,169	S	9/2004	Hightower
D496,802	S	10/2004	Hightower
D501,328	S	2/2005	Fonfeder
D501,610	S	2/2005	Hightower
D501,729	S	2/2005	Fonfeder
D501,730	S	2/2005	Fonfeder
6,848,740	B1	2/2005	Reese
D503,554	S	4/2005	Kay
D503,555	S	4/2005	Hightower
D507,305	S	7/2005	Dill
D507,706	S	7/2005	Lo
D511,191	S	11/2005	Fryer
D511,654	S	* 11/2005	Bailey D7/507
D515,830	S	2/2006	Zheng
D515,876	S	2/2006	Minor
D516,330	S	3/2006	Ruiter
D516,645	S	3/2006	Chung

(56) **References Cited**
 U.S. PATENT DOCUMENTS

1,646,716	A	10/1927	Wheeler
2,689,602	A	9/1954	Morgan
2,796,877	A	6/1957	Berseth
3,034,154	A	5/1962	Silverstone
3,130,969	A	4/1964	Groth
D198,779	S	8/1964	Bredon
3,145,990	A	8/1964	Prouty
D199,535	S	11/1964	Doss
3,186,711	A	6/1965	Morrow
3,213,868	A	10/1965	Forbes
3,344,443	A	10/1967	Bounell
D212,801	S	* 11/1968	Aarnio D6/365
3,528,657	A	9/1970	Krupsky
D223,444	S	4/1972	Glaser
D232,500	S	8/1974	McGreevy et al.
D232,957	S	9/1974	Kehelin
3,902,264	A	9/1975	Radig
D243,044	S	1/1977	Pathman
4,000,749	A	1/1977	Busco
4,047,752	A	9/1977	Rohr
D248,986	S	8/1978	Nakata
D249,408	S	9/1978	Jackson
D249,753	S	10/1978	Pratt
D252,602	S	8/1979	Cirrone
D254,458	S	3/1980	Wakefield
D254,829	S	4/1980	Gass
4,244,622	A	1/1981	Simpson
4,258,951	A	3/1981	Groom
D259,610	S	6/1981	Martin
D263,663	S	4/1982	Moreau
D265,454	S	7/1982	Martin
D266,040	S	9/1982	Cope
D271,548	S	11/1983	Bowsher
D271,641	S	12/1983	Bowsher
D273,943	S	5/1984	Dillon
D273,967	S	5/1984	Budde
D274,133	S	6/1984	Dillon
D274,347	S	6/1984	Budde
D274,986	S	8/1984	Mermelstein
D278,549	S	4/1985	Kristich
4,526,307	A	7/1985	Parker
4,550,456	A	11/1985	Allen
D282,970	S	3/1986	Parkin
D289,870	S	* 5/1987	Berchtold D14/133
D295,391	S	4/1988	Maddox
4,838,292	A	6/1989	Allen

(56)

References Cited

U.S. PATENT DOCUMENTS

D516,825 S 3/2006 Zheng
 D516,826 S 3/2006 Zheng
 D517,819 S 3/2006 Zheng
 D522,260 S 6/2006 Strachan
 D529,343 S 10/2006 Minor
 D532,826 S 11/2006 Gomez et al.
 D533,239 S 12/2006 Yang
 D536,888 S 2/2007 Dykstra
 D538,545 S 3/2007 Zimmermann
 D539,048 S 3/2007 Zimmermann
 D539,049 S 3/2007 Zimmermann
 D539,050 S 3/2007 Zimmermann
 D541,058 S 4/2007 Dykstra
 7,204,549 B1 4/2007 Zeng
 D541,552 S 5/2007 Weldon
 D552,853 S 10/2007 Goodrick
 D553,014 S 10/2007 Foster
 D553,015 S 10/2007 Foster
 D553,016 S 10/2007 Foster
 D554,200 S 10/2007 Cooper
 D555,923 S 11/2007 Dykstra
 D558,293 S 12/2007 Brumbach et al.
 D565,125 S 3/2008 Collier
 7,367,068 B2 5/2008 Huff
 7,380,880 B2 6/2008 Molen
 7,404,601 B2 7/2008 Chen
 D575,079 S 8/2008 Hirsh
 D576,808 S * 9/2008 Ton D6/349
 D577,388 S 9/2008 Lo et al.
 D577,390 S 9/2008 Collier
 D577,774 S 9/2008 Lo et al.
 D580,634 S * 11/2008 Robinson D2/869
 D586,187 S 2/2009 Sax
 D596,672 S 7/2009 Roman
 D596,675 S 7/2009 Roman Moreno
 D609,987 S 2/2010 Moman
 D611,729 S 3/2010 Lau
 D612,541 S * 3/2010 Righetti D29/102
 D620,320 S 7/2010 Carter
 D623,436 S 9/2010 Lau
 D630,689 S * 1/2011 Tsutsui D21/713
 D632,138 S 2/2011 Carter
 D634,380 S 3/2011 Walling, Jr. et al.
 D638,071 S 5/2011 Tyler
 7,967,374 B2 6/2011 Akkad
 D643,807 S 8/2011 Gelin
 D649,800 S 12/2011 Lievore et al.
 D653,808 S 2/2012 Gelin
 D653,810 S 2/2012 Gelin
 D660,034 S 5/2012 Frety et al.
 D660,608 S 5/2012 Hasman
 D675,268 S 1/2013 Cranke
 D677,914 S 3/2013 Cardenas
 D679,104 S 4/2013 Pouzet
 D682,565 S 5/2013 McDonald
 D690,377 S 9/2013 Cranke
 D692,083 S 10/2013 Toland
 D697,566 S 1/2014 Smith
 D698,696 S 2/2014 McBurney et al.
 D702,449 S 4/2014 Puotiniemi
 D705,499 S 5/2014 Zamarripa
 D705,865 S 5/2014 Roth
 8,764,234 B1 7/2014 Acree et al.
 D720,148 S 12/2014 Urquiola
 D727,445 S 4/2015 Viramontez
 9,067,146 B1 6/2015 Cordray
 9,095,204 B2 8/2015 Ou
 D738,123 S 9/2015 Wu
 D738,128 S 9/2015 Paslawski
 D738,637 S 9/2015 Dean
 D742,277 S 11/2015 Wegrzyn
 D752,164 S 3/2016 Rio
 D759,396 S 6/2016 Wehner
 D760,488 S 7/2016 Diamond
 D760,506 S 7/2016 McDonald

D761,575 S 7/2016 Preston
 D764,160 S 8/2016 Diamond
 9,440,154 B1 9/2016 Cordray et al.
 D768,795 S 10/2016 O'Malley
 9,468,284 B2 10/2016 Wehner
 D773,221 S 12/2016 Lee
 D777,898 S 1/2017 Kumar
 9,554,653 B2 1/2017 Lee
 D778,656 S 2/2017 Lee
 D781,061 S 3/2017 Merritt
 9,630,119 B2 4/2017 Fries et al.
 D785,976 S 5/2017 Hagerty
 D787,842 S 5/2017 Lenton
 D788,634 S 6/2017 Wegrzyn
 D791,640 S 7/2017 Wegrzyn
 9,713,372 B1 7/2017 Chen
 D796,865 S 9/2017 Haug
 D800,508 S 10/2017 Peters
 D804,835 S 12/2017 Wehner
 9,861,181 B2 1/2018 Wehner
 D814,813 S 4/2018 Hassman
 D817,013 S 5/2018 Hassman
 D819,348 S 6/2018 Hassman
 D819,349 S 6/2018 Wehner
 D819,989 S 6/2018 Hassman
 D820,605 S 6/2018 Hassman
 D820,606 S 6/2018 Hassman
 D820,608 S 6/2018 Wehner
 D820,609 S 6/2018 Wehner
 D821,109 S 6/2018 Wehner
 10,016,048 B2 7/2018 Wehner
 D827,317 S 9/2018 Wehner
 D828,697 S 9/2018 Wehner
 D829,454 S 10/2018 Wehner
 10,161,601 B1 12/2018 Chen
 D842,950 S 3/2019 O'Malley
 D847,922 S 5/2019 Hunter
 D848,753 S 5/2019 Wehner
 10,398,214 B2 9/2019 Wehner
 D861,365 S 10/2019 Figdor
 D864,322 S 10/2019 Finley et al.
 D865,383 S 11/2019 Wehner
 D871,785 S 1/2020 Wehner
 10,631,647 B1 4/2020 Wu et al.
 D889,144 S 7/2020 Wehner
 D897,123 S 9/2020 Tan
 D898,397 S 10/2020 Wehner
 D899,112 S 10/2020 Wehner
 D899,166 S 10/2020 Wehner
 D901,921 S 11/2020 Bergmann et al.
 D905,562 S * 12/2020 Futral D9/668
 D911,870 S 3/2021 Wang
 2003/0024448 A1 2/2003 Lieberman
 2003/0057754 A1 3/2003 Snyders
 2003/0140417 A1 7/2003 Huff
 2005/0108821 A1 5/2005 Gardner
 2005/0277499 A1 12/2005 Tang et al.
 2007/0283611 A1 12/2007 Laurent et al.
 2008/0060128 A1 3/2008 Forshpan
 2008/0064539 A1 * 3/2008 Mark A63B 69/0002
 473/598
 2008/0203774 A1 8/2008 Hemetsberger
 2010/0252083 A1 10/2010 Ogle
 2011/0254334 A1 10/2011 Phillips
 2012/0004058 A1 1/2012 Fujikura et al.
 2012/0178543 A1 7/2012 Monachello
 2015/0018108 A1 1/2015 Lacy et al.
 2015/0030790 A1 1/2015 Duncan, III
 2015/0335136 A1 11/2015 Wehner
 2016/0107095 A1 4/2016 Fries et al.
 2017/0234025 A1 8/2017 Bottome et al.
 2020/0292920 A1 9/2020 Lin

OTHER PUBLICATIONS

Internet Archive Wayback Machine's capture of The Floating Bed,
<https://web.archive.org/web/20030513102711/http://www.floatingbed.com:80/bigger-view/outdoor-tent-bed.html> <<https://web.archive.org/>

(56)

References Cited

OTHER PUBLICATIONS

web/20030513102711/http://www.floatingbed.com:80/bigger-view/outdoor-tent-bed.html>, capture dated May 13, 2003, print-outdated Aug. 16, 2017.

National Archives and Records Administration, Gabe Gobin, an Indian logger, in front of his home. Tulalip Reservation, Washington, <https://commons.wikimedia.org/wiki/File:Gabe_Gobin,_an_Indian_logger,_in_front_of_his_home._Tulalip_Reservation,_Washington,_1916_-_NARA_-_518929.tif>, created Dec. 31, 1915, print-out dated Aug. 22, 2017.

Wikipedia, Weaver Nest in Malaysia, https://en.wikipedia.org/wiki/Ploceidae#/media/File:Weaver_Nest.jpg <https://en.wikipedia.org/wiki/Ploceidae>, created Mar. 28, 2013, print-out dated Aug. 22, 2017.

Fine Mod Imports Euro Aarnio Style Bubble Hanging Chair, www.instylemodern.com/Eero-Aarnio-Style-Bubble-Hanging-Chair-White-Cushi-p/1122-white-with-stand.htm <http://www.instylemodern.com/Eero-Aarnio-Style-Bubble-Hanging-Chair-White-Cushi-p/1122-white-with-stand.htm>, captured on Jun. 29, 2018.

ACME 2-Piece All Star Set Chair and Ottoman, Baseball, www.amazon.com/05528-2-Piece-Chair-Ottoman-Baseball/dp/B004H6UYAE <http://www.amazon.com/05528-2-Piece-Chair-Ottoman-Baseball/dp/B004H6UYAE>, captured Jun. 29, 2018.

Coaster Kid's Swivel Chair and Ottoman Set, Basketball Design, www.amazon.com/Coaster-Swivel-Ottoman-Basketball-2-Pieces/dp/B000WI8UHA <http://www.amazon.com/Coaster-Swivel-Ottoman-Basketball-2-Pieces/dp/B000WI8UHA>, captured on Jun. 29, 2018.

Fine Mod Imports Egg Hanging Chair, www.finemodimports.com/Egg_Hanging_Chair_p/fmi2208.htm <http://www.finemodimports.com/Egg_Hanging_Chair_p/fmi2208.htm>, captured on Jun. 29, 2018.

Design Market Nanna Ditzel Egg Chair, www.design-mkt.com/154-egg-hanging-chair-nanna-ditzel-1959.html <http://www.design-mkt.com/154-egg-hanging-chair-nanna-ditzel-1959.html>, captured Jun. 29, 2018.

Wildon Home Kid's Football Chair and Ottoman Set, www.amazon.com/Kids-Football-Chair-Ottoman-Set/dp/B00XYTD5FG/ <http://www.amazon.com/Kids-Football-Chair-Ottoman-Set/dp/B00XYTD5FG/>, captured Jun. 29, 2018.

Wicker Hanging Swing Patio Bed, www.karimunjavaadventure.com/item-detail/wicker-hanging-swing-patio-bed-swing-steel-garden-swing.html <http://www.karimunjavaadventure.com/item-detail/wicker-hanging-swing-patio-bed-swing-steel-garden-swing.html>, captured Jun. 29, 2018.

Football Hanging Chair on Alibaba, www.alibaba.com/product-detail/football-design-swing-hang-chair-outdoor_60325860005.html?spm=a2700.galleryofferlist.normalList.23.5f287b1802IByl <http://www.alibaba.com/product-detail/football-design-swing-hang-chair-outdoor_60325860005.html?spm=a2700.galleryofferlist.normalList.23.5f287b1802IByl>, captured Jun. 29, 2018.

Round Rattan Outdoor Bed, gtoparts.en.alibaba.com/product/60149906396-221138431/Round_rattan_outdoor_bed_outdoor_swing_bed_round_hanging_bed_round.html?spm=a2700.8304367.prewdfa4cf.1.576f3e26neSEBx, captured Jun. 29, 2018.

Round Egg Straight Hanging Chair, gtoparts.en.alibaba.com/product/60194886386-221138431/Outdoor_Wicker_Patio_Furniture_Round_Egg_Straight_Hanging_Chair_NEW_.html?spm=a2700.8304367.prewdfa4cf.16.e5203e27WgVkmD, captured Jun. 29, 2018.

Swing Hanging Chair, gtoparts.en.alibaba.com/product/60134002497-221138431/Swing_hanging_chair_cheap_material_PE_rattan_popular_in_many_countries.html?spm=a2700.8304367.prewdfa4cf.4.45803e26KjE2Q6, captured Jun. 29, 2018.

2015 New Model Wooden Horse Swing, gtoparts.en.alibaba.com/product/60145838006-221138431/2015_new_model_wooden_horse_swing.html?spm=a2700.8304367.prewdfa4cf.13.7d4d3e26lv1M0a, captured Jun. 29, 2018.

Two Seat Hanging Swing Chair, gtoparts.en.alibaba.com/product/60449144448-221138431/Outdoor_two_seat_hanging_swing_chair_for_adult.html?spm=a2700.8304367.prewdfa4cf.16.633e3e1dUpVBU5, captured Jun. 29, 2018.

Nest Chair Patio Swing, gtoparts.en.alibaba.com/product/60672125777-221138431/Nest_Chair_Patio_Swing_Chair_Hanging_Hammock.html?spm=a2700.8304367.prewdfa4cf.10.309b3e60xpCfW0, captured Jun. 29, 2018.

Comfortable Bedroom Chair, gtoparts.en.alibaba.com/product/60565028285-221138431/Wholesale_best_selling_in_Poland_comfortable_bedroom_chairs.html?spm=a2700.8304367.prewdfa4cf.28.558a3e18W54nW, captured Jun. 29, 2018.

Round Swing Chair, gtoparts.en.alibaba.com/product/60390746146-221138431/hot_sale_round_swing_chair_hanging_chair_with_cushion_for_1_person_hanging_garden_rocking_chair.html?spm=a2700.8304367.prewdfa4cf.1.48593e67yWB6YI, captured Jun. 29, 2018.

Multicolored Apple Shape Chair, gtoparts.en.alibaba.com/product/60130025317-221138431/multicolored_apple_shape_hammock_eco_friend_handmade_chair_with_natural_rattan_and_bamboo_hanging_chair.html?spm=a2700.8304367.prewdfa4cf.34.37be3e27VLPiIR, captured Jun. 29, 2018.

Fine Mod Imports Bird Hanging Chair, <https://www.hammockup.com/products/bird-hanging-chair-white?variant=1848133877769>, captured Jul. 3, 2018.

* cited by examiner

FIG. 1

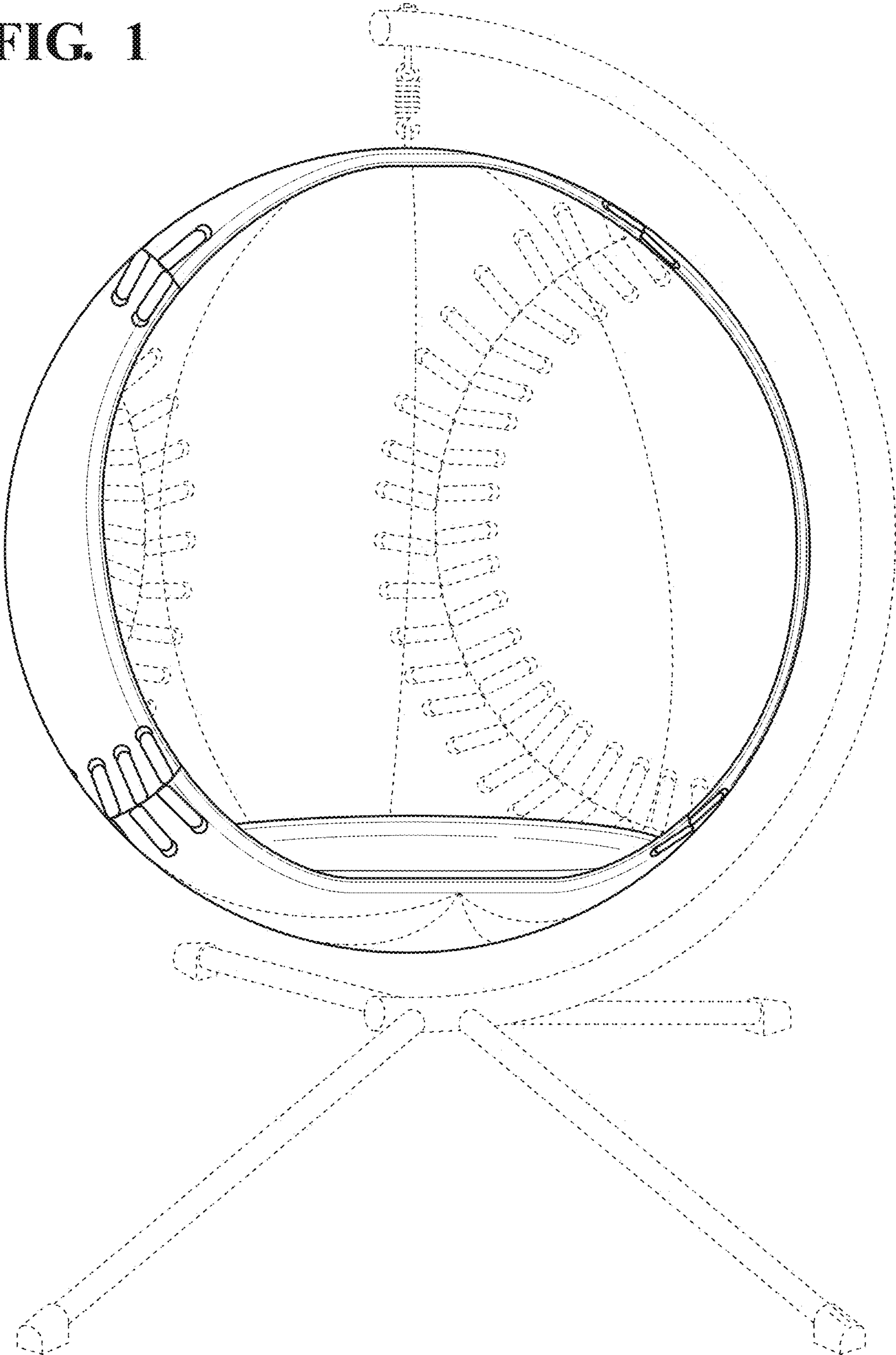


FIG. 2

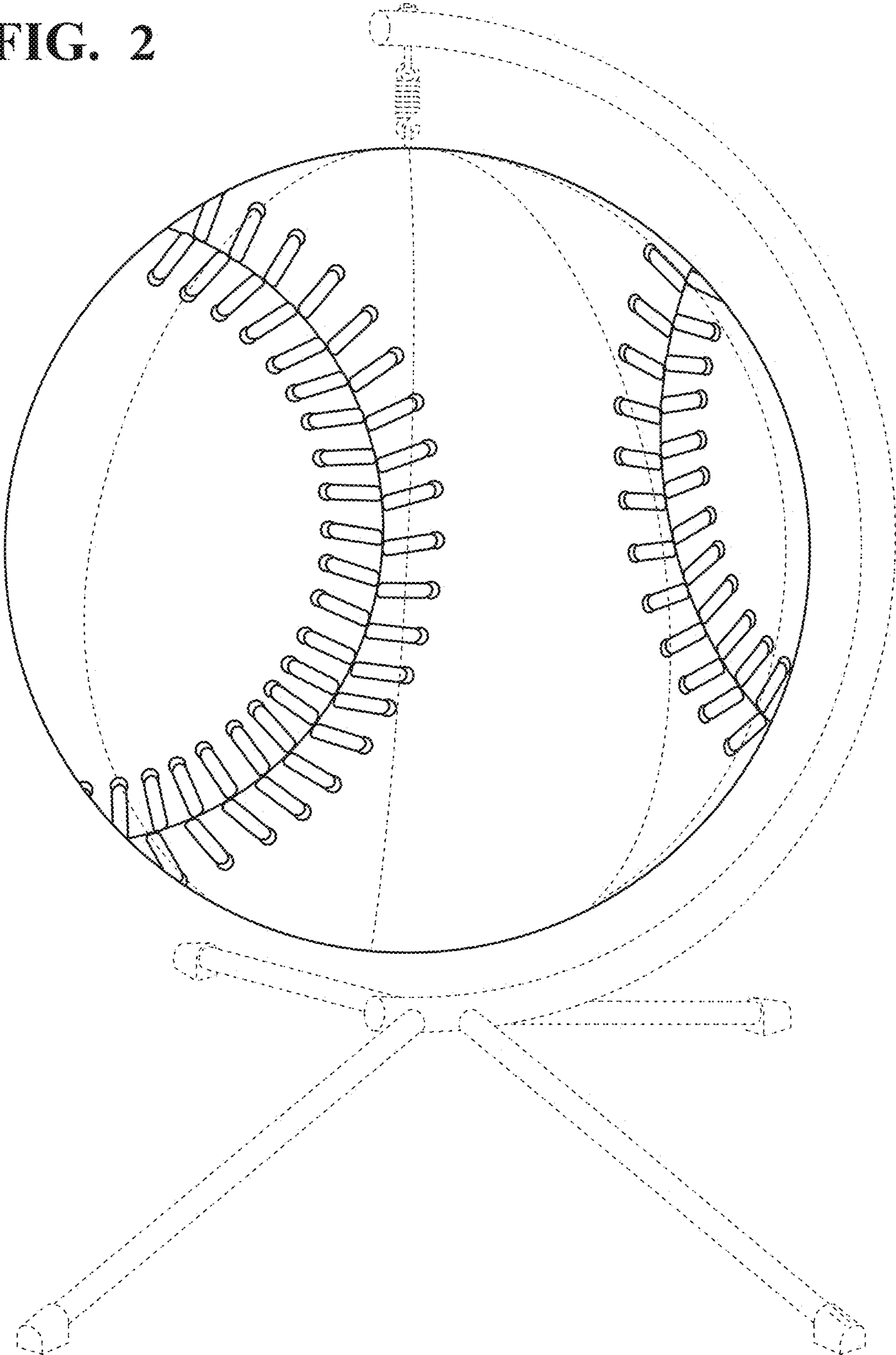


FIG. 3

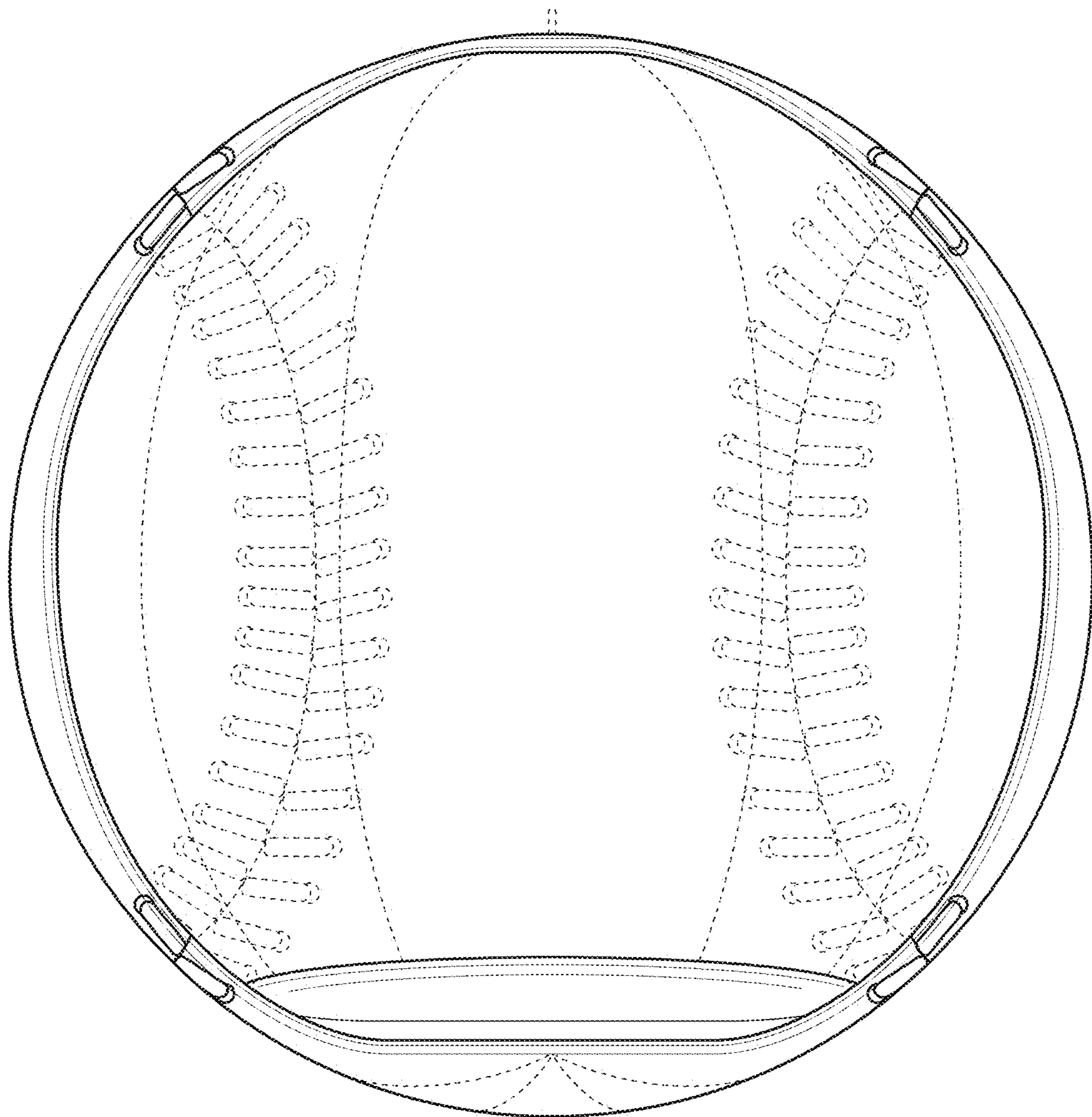


FIG. 4

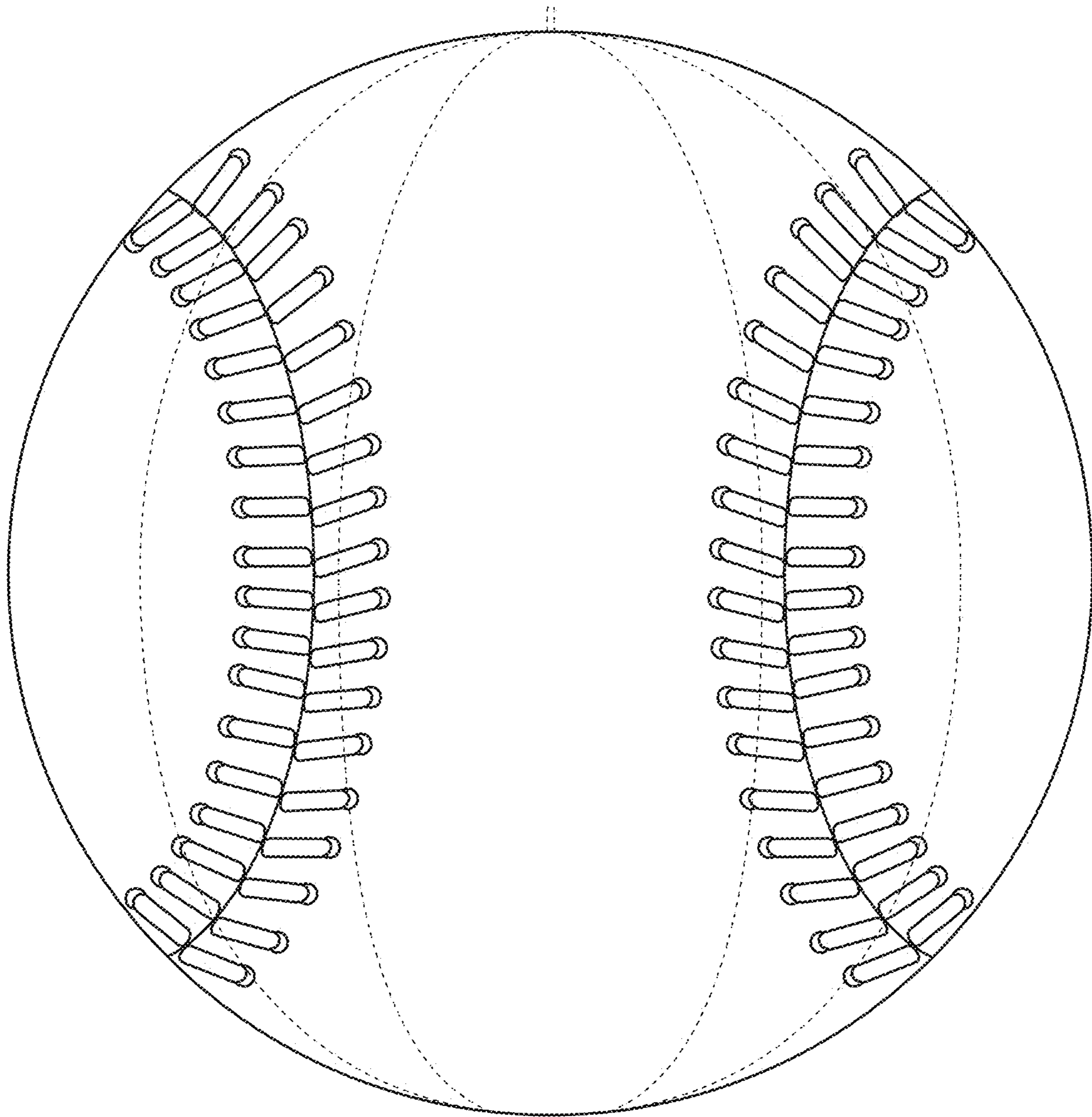


FIG. 5

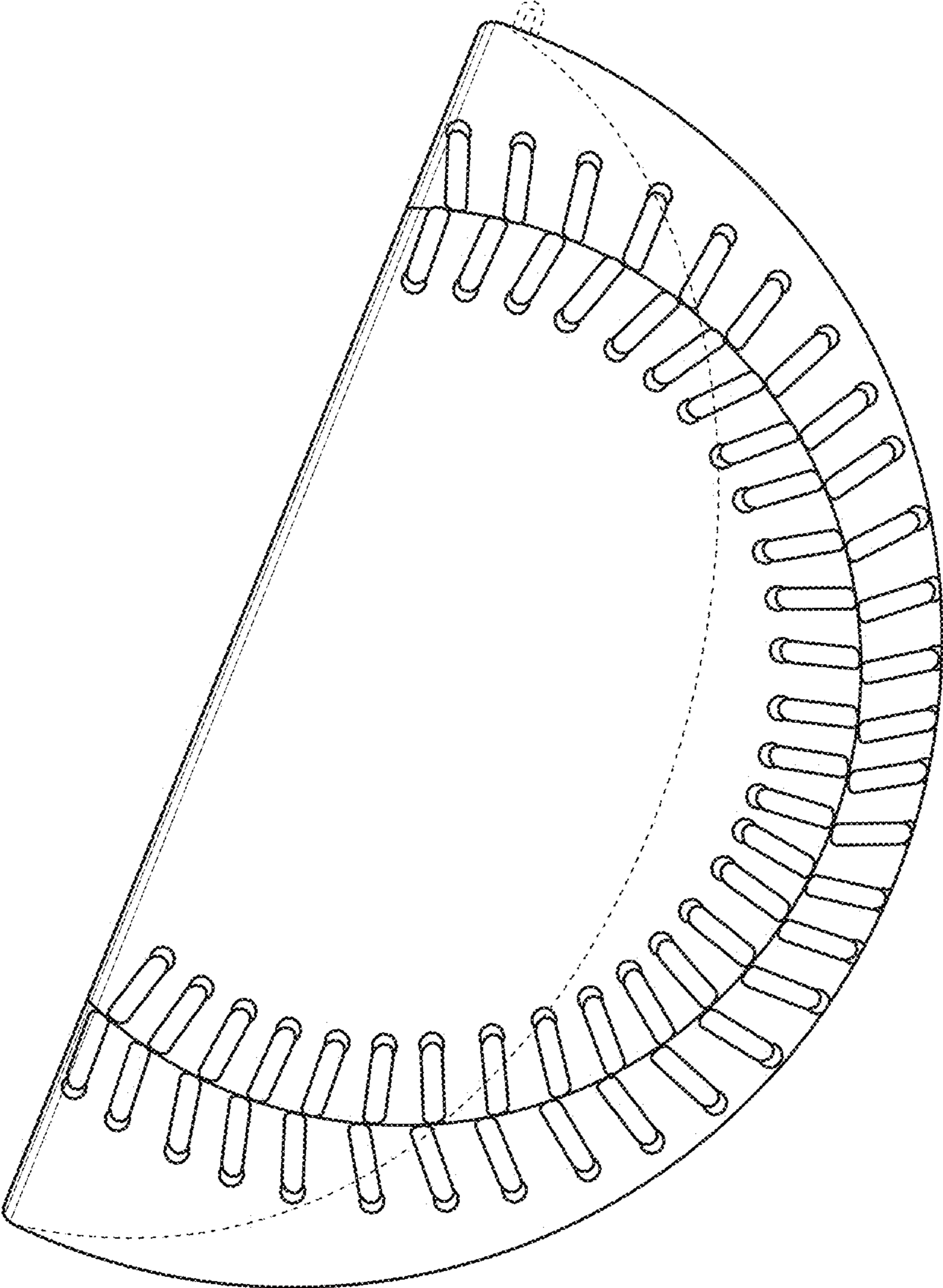


FIG. 6

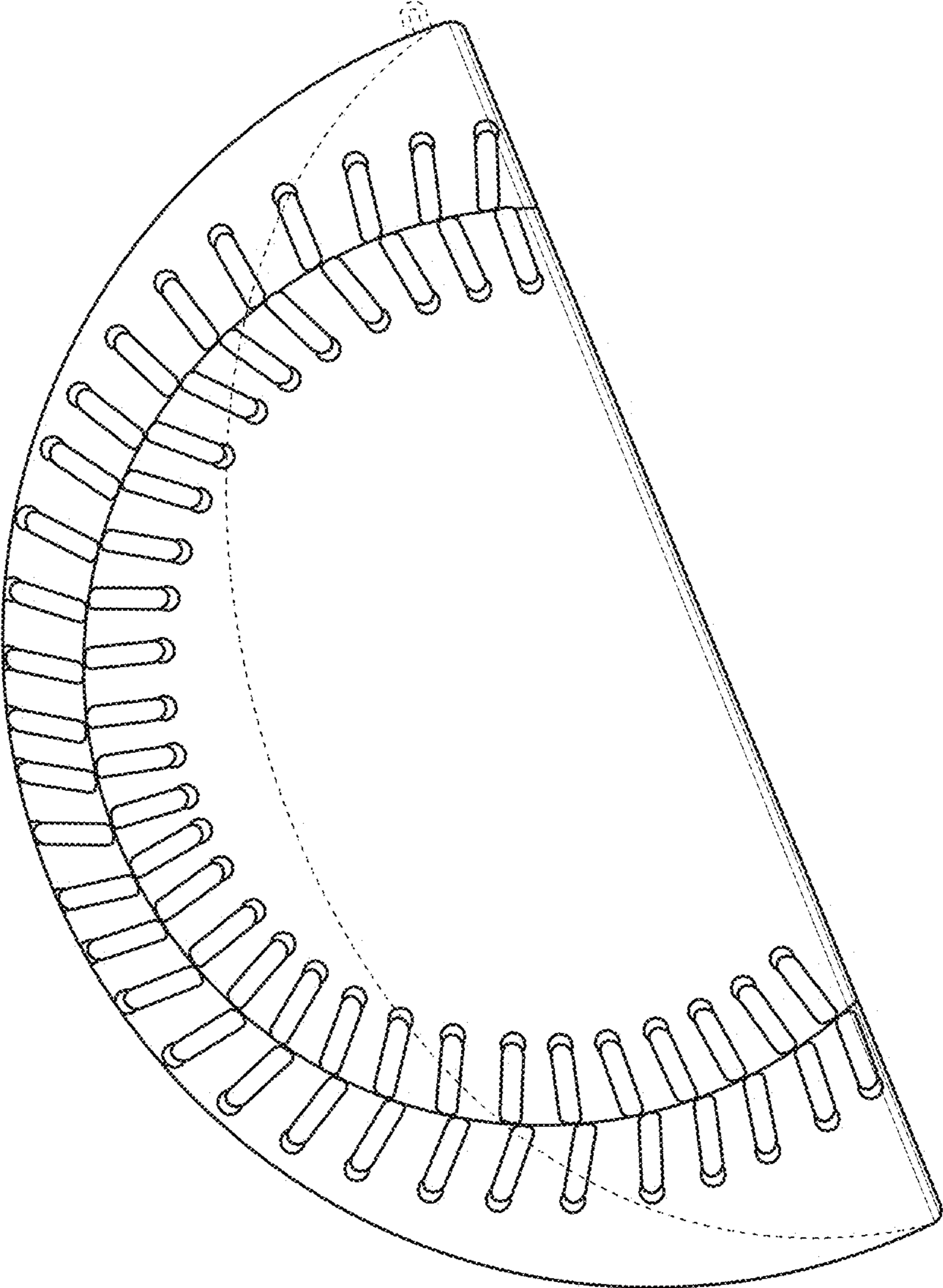


FIG. 7

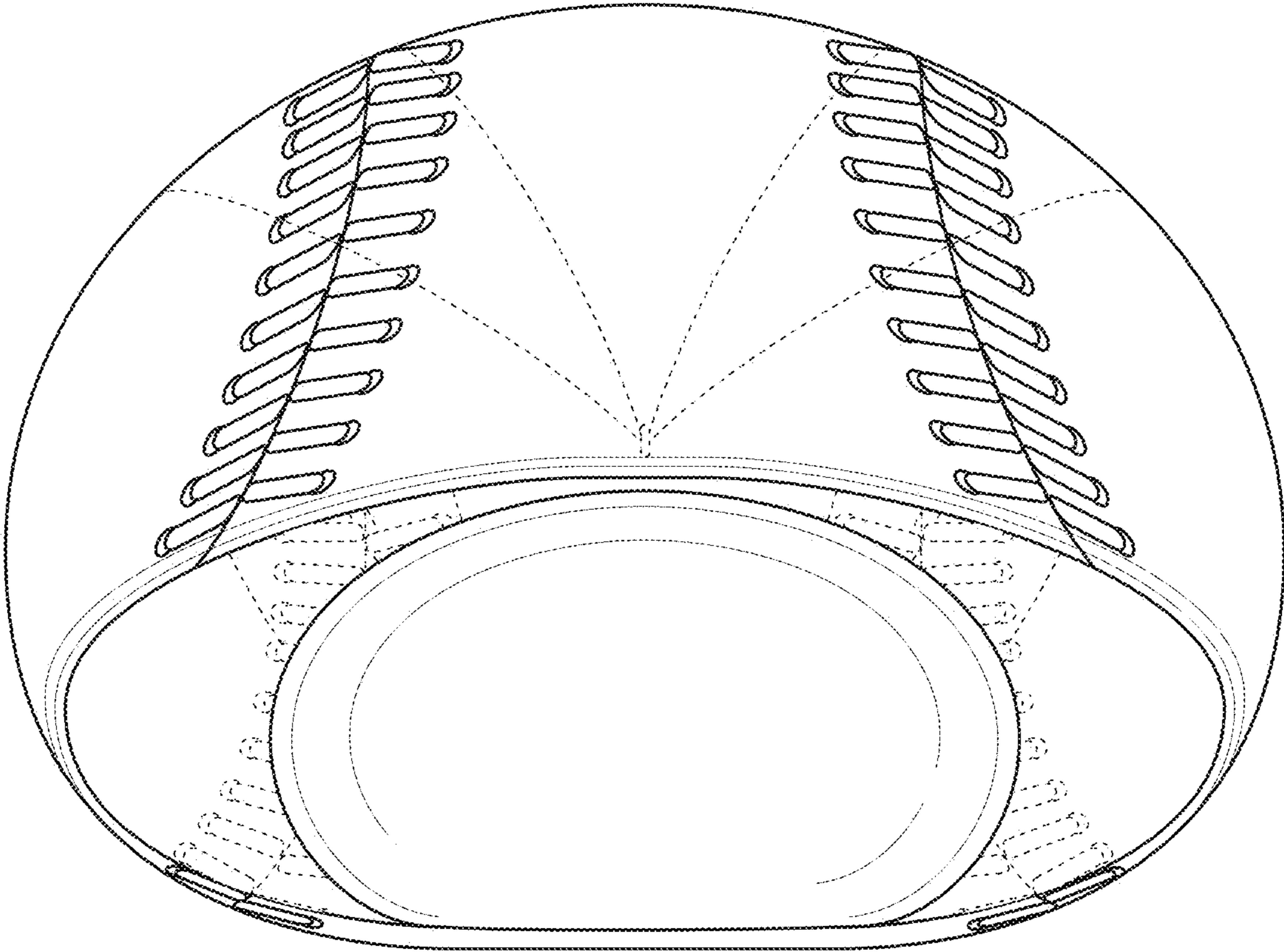


FIG. 8

