



US00D933976S

(12) **United States Design Patent**
Dismore

(10) **Patent No.:** **US D933,976 S**

(45) **Date of Patent:** **** Oct. 26, 2021**

(54) **BANQUETTE**

(71) Applicant: **KIMBALL INTERNATIONAL, INC.**,
Jasper, IN (US)

(72) Inventor: **Erik L. Dismore**, Jasper, IN (US)

(73) Assignee: **KIMBALL INTERNATIONAL, INC.**,
Jasper, IN (US)

(**) Term: **15 Years**

(21) Appl. No.: **29/776,245**

(22) Filed: **Mar. 29, 2021**

Related U.S. Application Data

(62) Division of application No. 29/692,437, filed on May 24, 2019, now abandoned.

(51) **LOC (13) Cl.** **06-01**

(52) **U.S. Cl.**
USPC **D6/334**

(58) **Field of Classification Search**
USPC D6/334, 349, 357, 364, 365, 366, 367,
D6/368, 369, 374, 375, 379, 381, 708.16,
D6/716.1, 716.4, 716.7, 337, 346, 716
CPC A47C 3/12; A47C 3/18; A47C 3/20; A47C
3/26; A47C 5/02; A47C 5/10; A47C 7/24;
A47C 7/36; A47C 7/46; A47C 7/18;
A47C 7/40; A47C 1/03255; A47C 4/42;
A47C 4/44; A47C 11/00; A47C 11/05
See application file for complete search history.

(56) **References Cited**

U.S. PATENT DOCUMENTS

4,232,899 A * 11/1980 Fister, Jr. A47C 31/023
297/229
D261,953 S * 11/1981 Aronowitz D6/363
D261,954 S * 11/1981 Aronowitz D6/363
D476,819 S * 7/2003 Williams D6/334

D662,733 S * 7/2012 Metcalf D6/717
D671,341 S * 11/2012 Metcalf D6/717
D693,584 S * 11/2013 Kanthasamy D6/334
D728,983 S * 5/2015 Schweikarth D6/717
D731,835 S * 6/2015 Schweikarth D6/717
D739,662 S * 9/2015 Webb D6/334
D751,310 S * 3/2016 Schroeder D6/364
D770,822 S * 11/2016 Schweikarth D6/716
D811,756 S * 3/2018 Woods D6/334
D821,763 S * 7/2018 Woods D6/334
D866,204 S * 11/2019 Neil D6/334
D884,371 S * 5/2020 Hurford D6/336
D885,068 S * 5/2020 Beukema D6/334
D894,623 S * 9/2020 Kimmel D6/357
D908,384 S * 1/2021 Davidson D6/371

* cited by examiner

Primary Examiner — R. Johnson

(74) *Attorney, Agent, or Firm* — Faegre Drinker Biddle & Reath

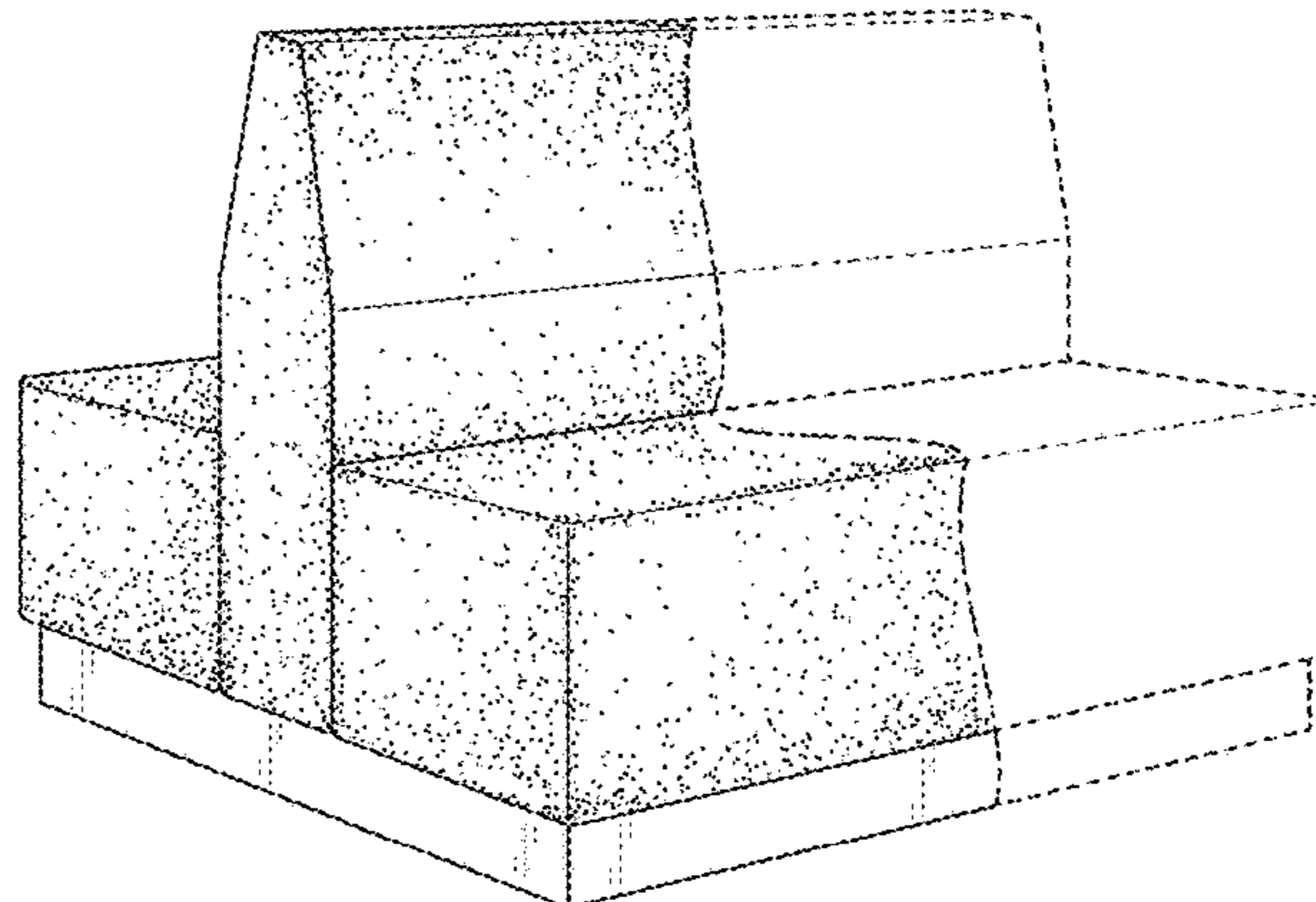
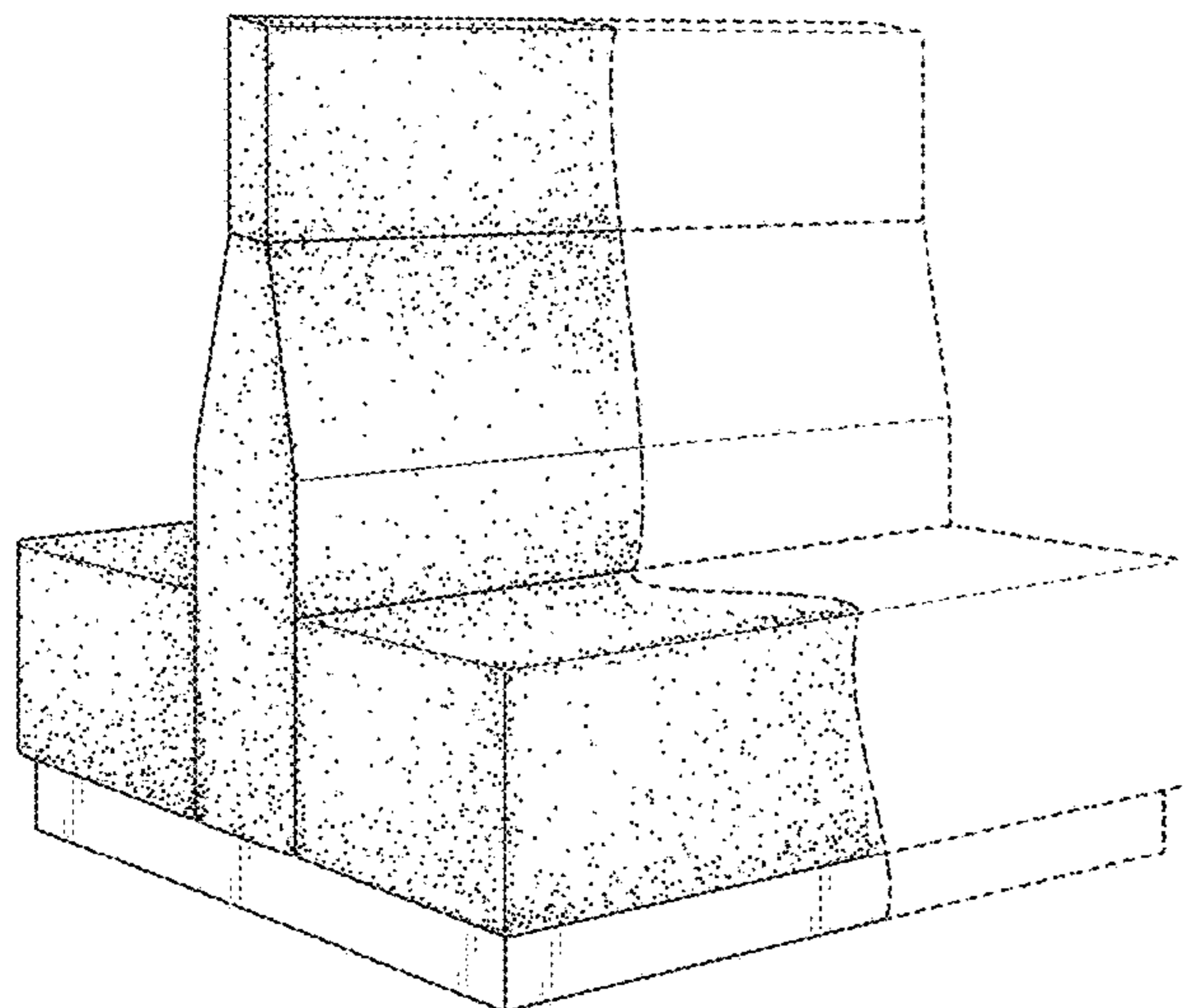
(57) **CLAIM**

The ornamental design for a banquette, as shown and described.

DESCRIPTION

FIG. 1 is a front perspective view of a banquette according to the first embodiment of my new design;
FIG. 2 is a front view thereof;
FIG. 3 is a rear view thereof;
FIG. 4 is a left side view thereof;
FIG. 5 is a top view thereof
FIG. 6 is a front perspective view of a banquette according to the second embodiment of my new design;
FIG. 7 is a front view thereof;
FIG. 8 is a rear view thereof;
FIG. 9 is a left side view thereof; and,
FIG. 10 is a top view thereof.
Features shown in broken lines form no part of the claimed design.

1 Claim, 6 Drawing Sheets



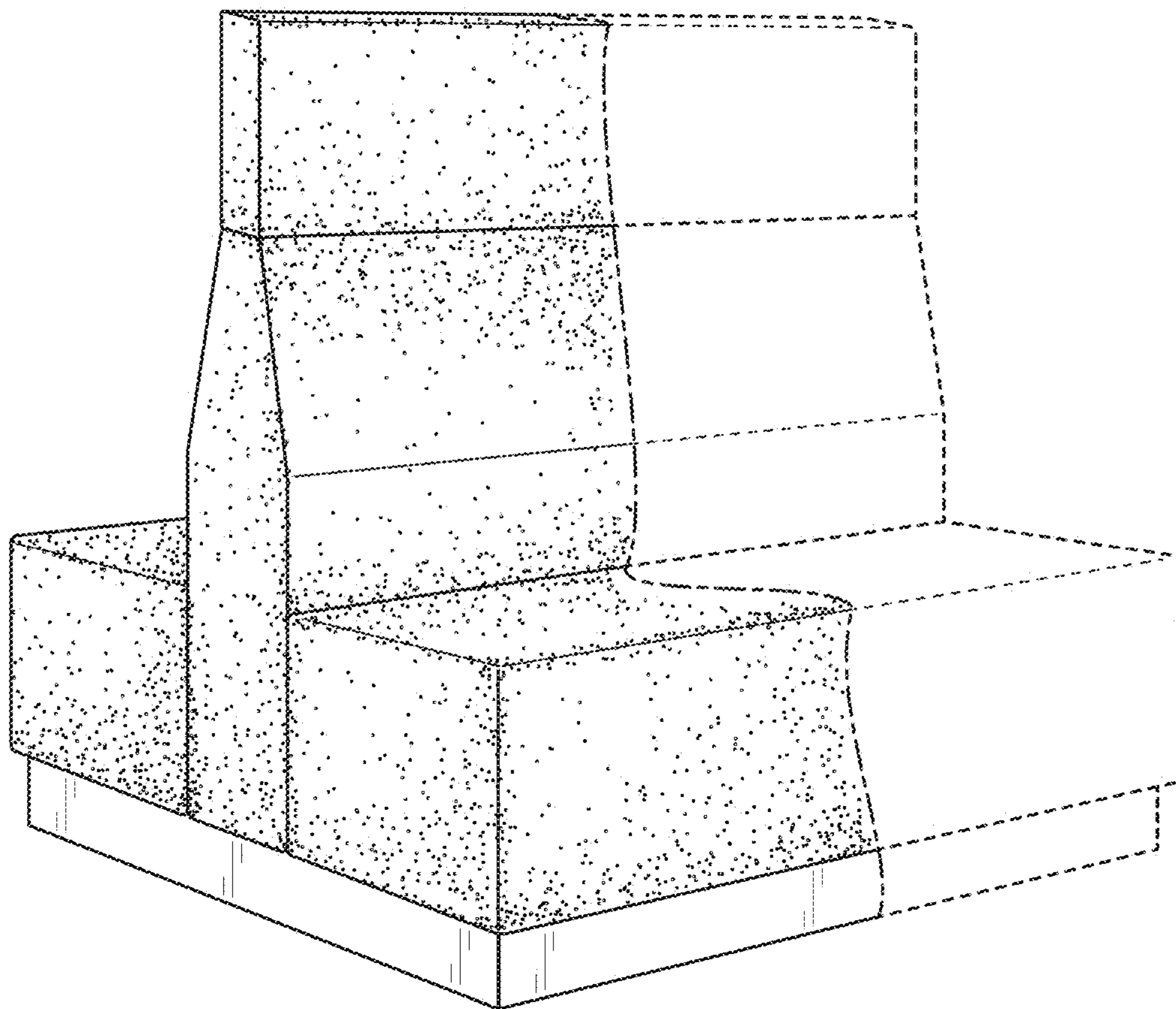


FIG. 1

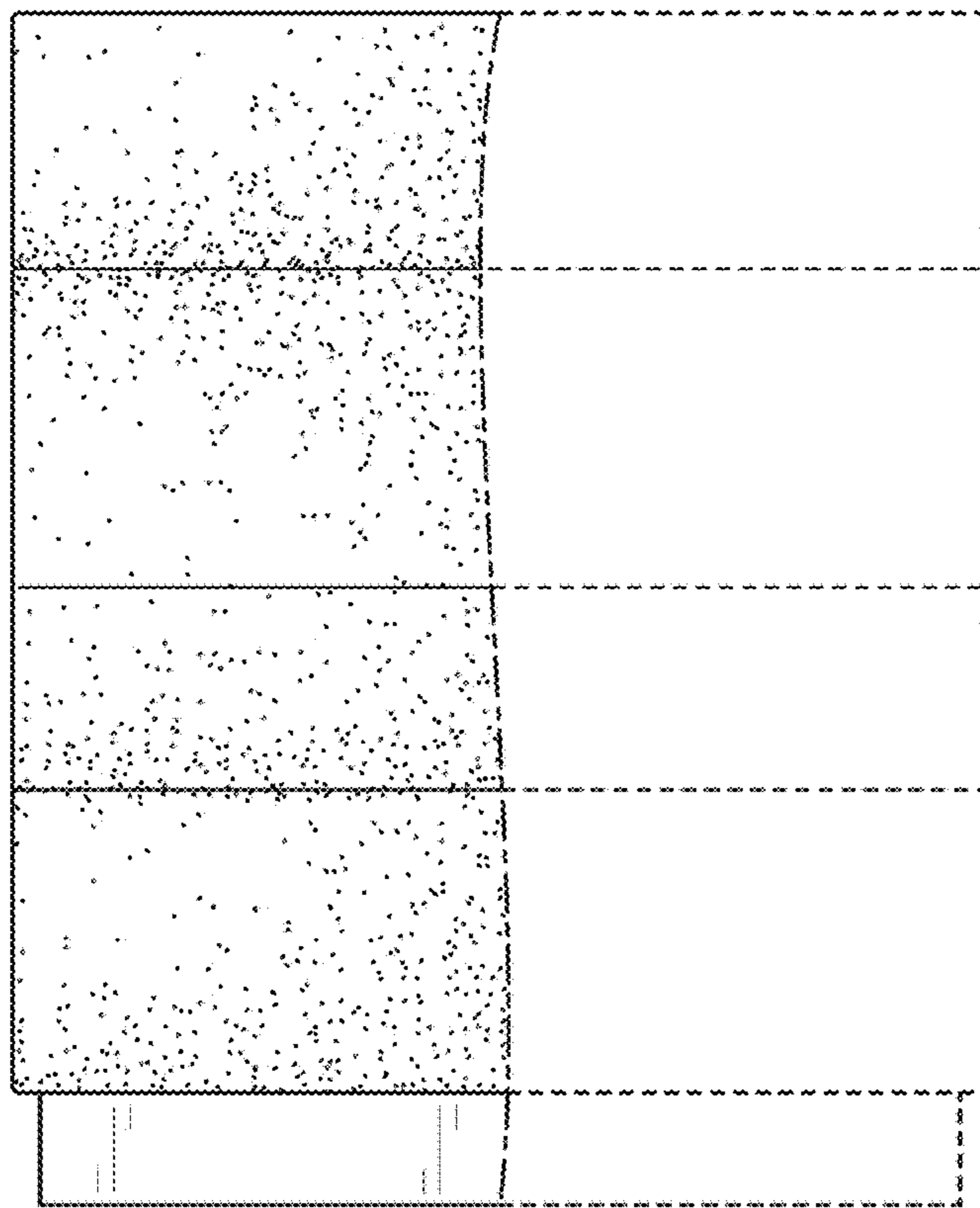


FIG. 2

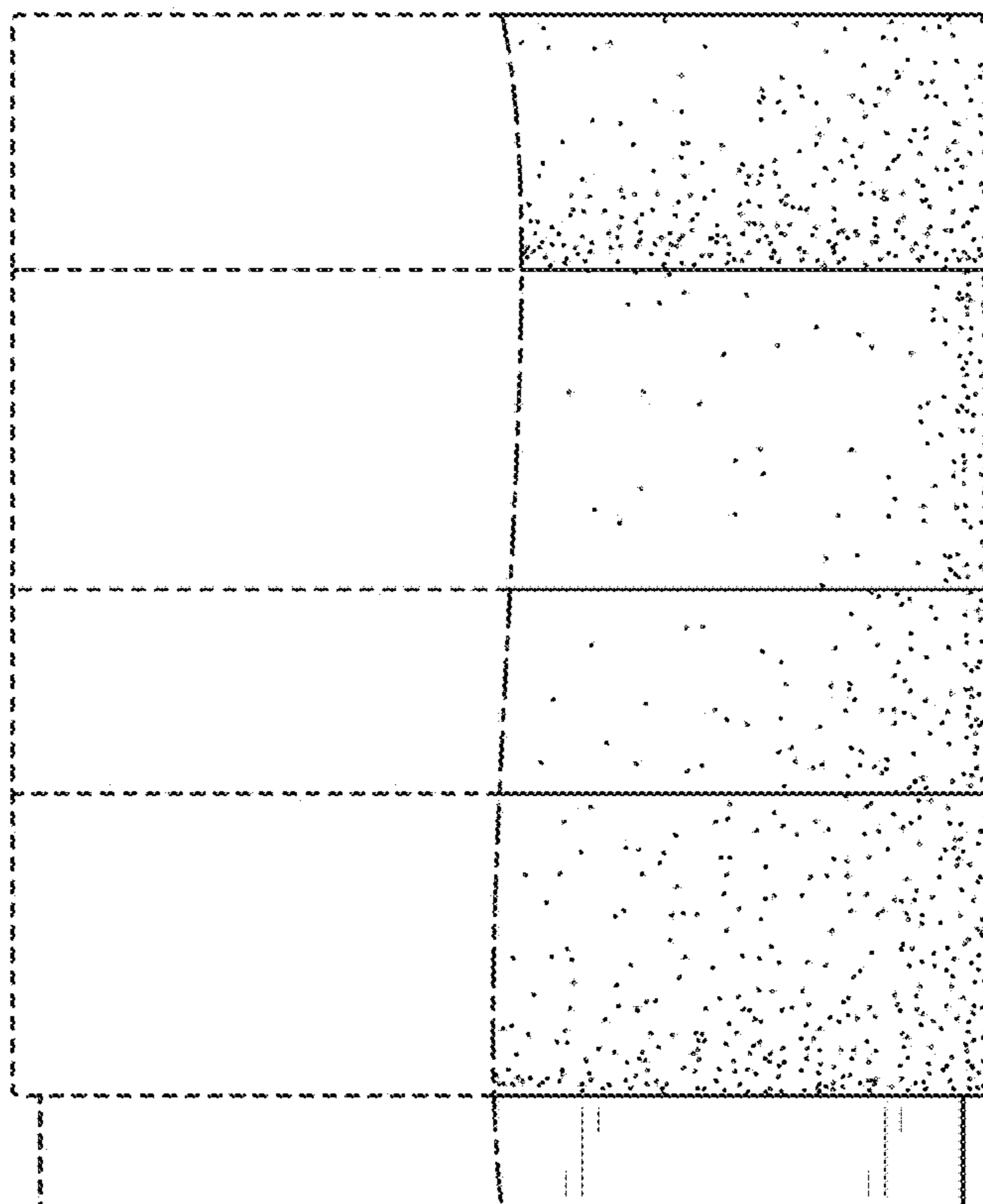


FIG. 3

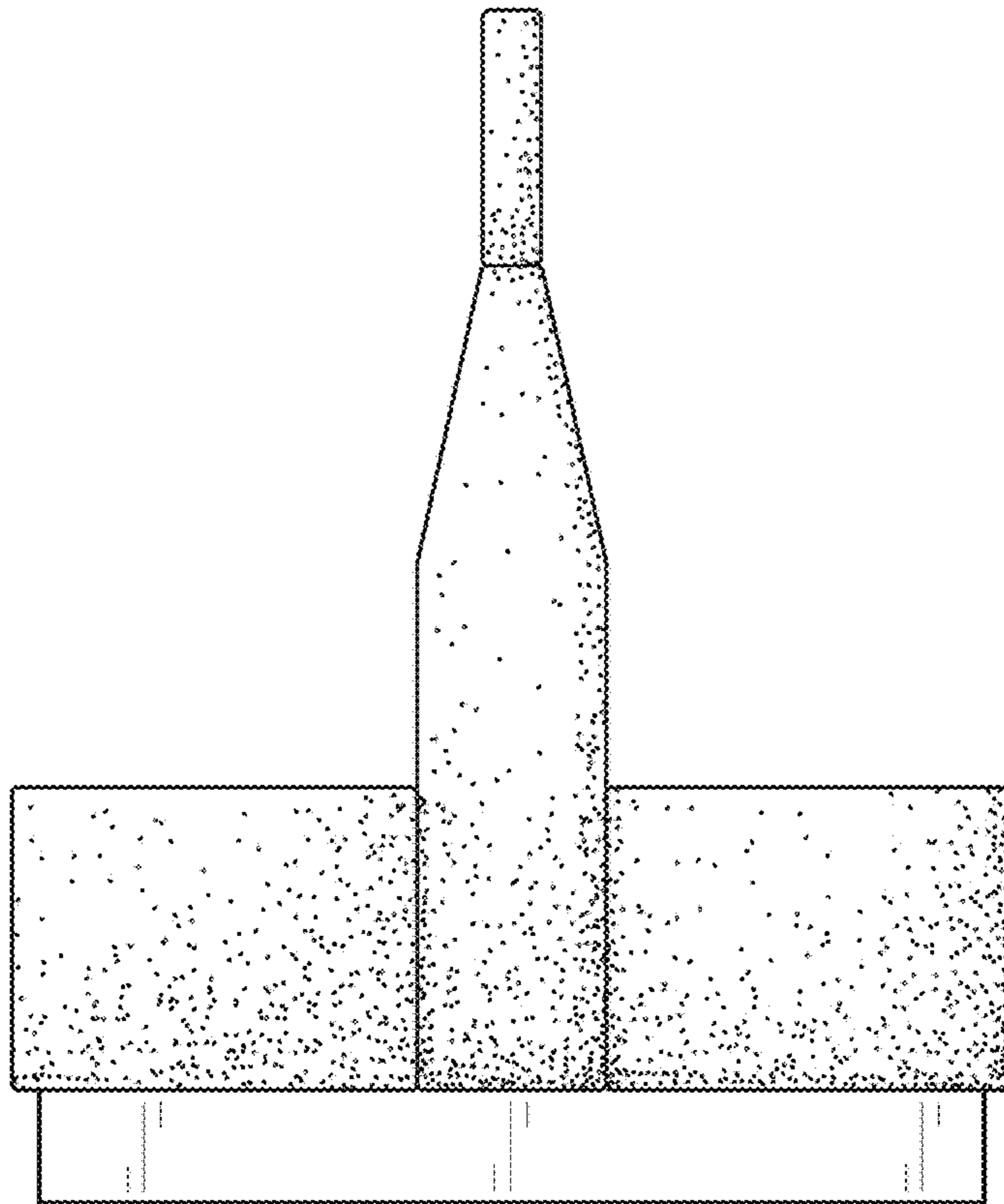


FIG. 4

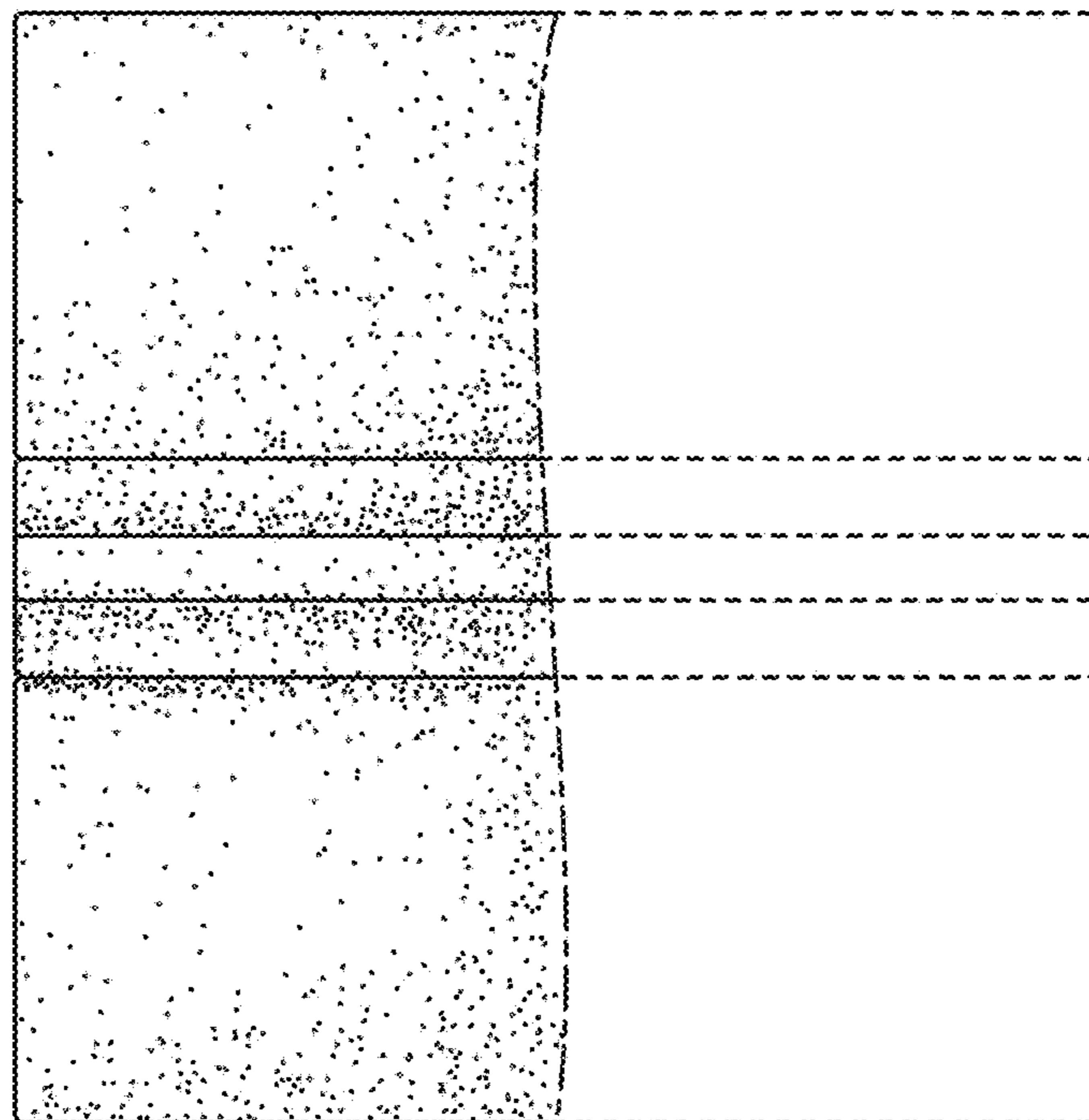


FIG. 5

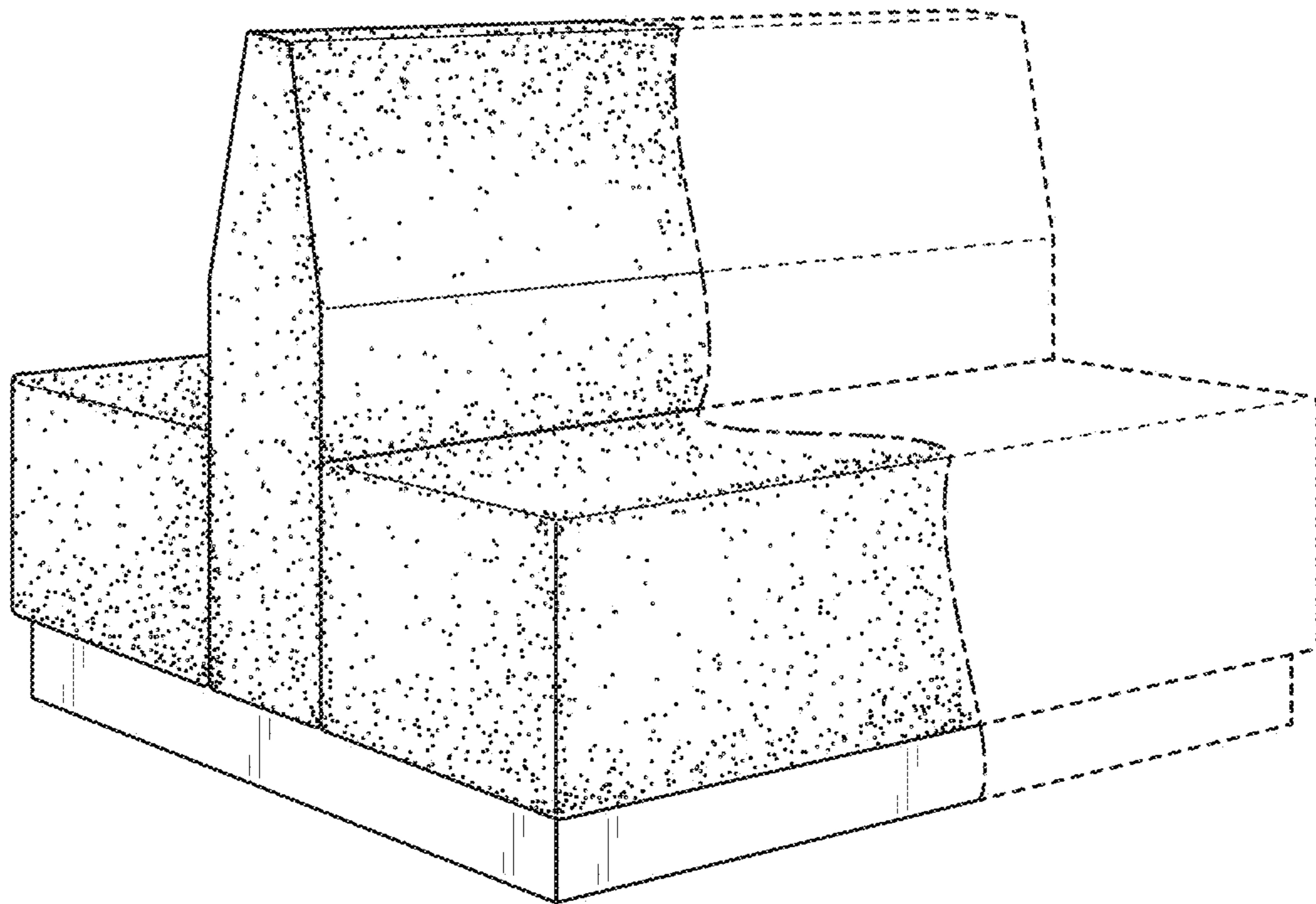


FIG. 6

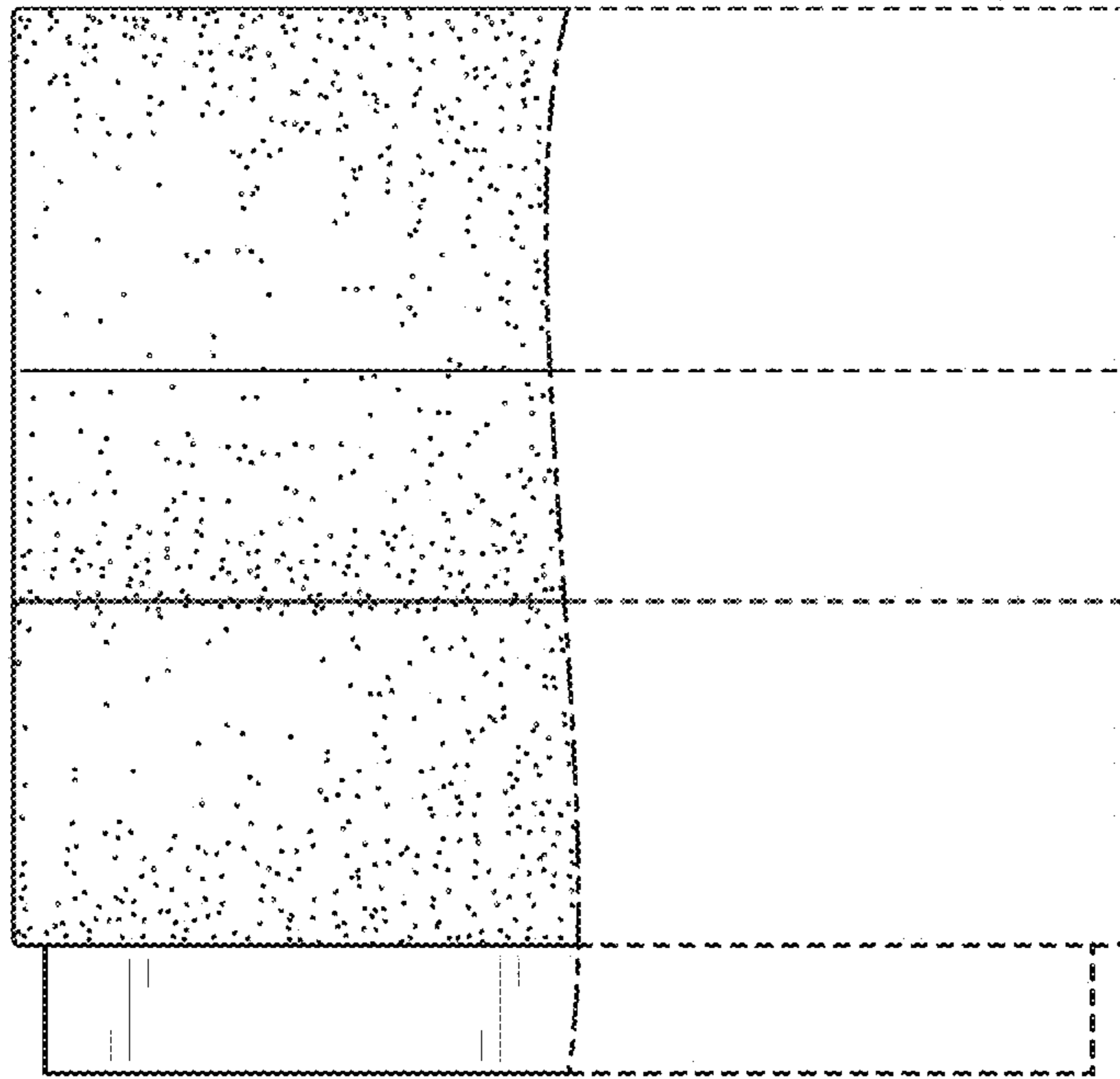


FIG. 7

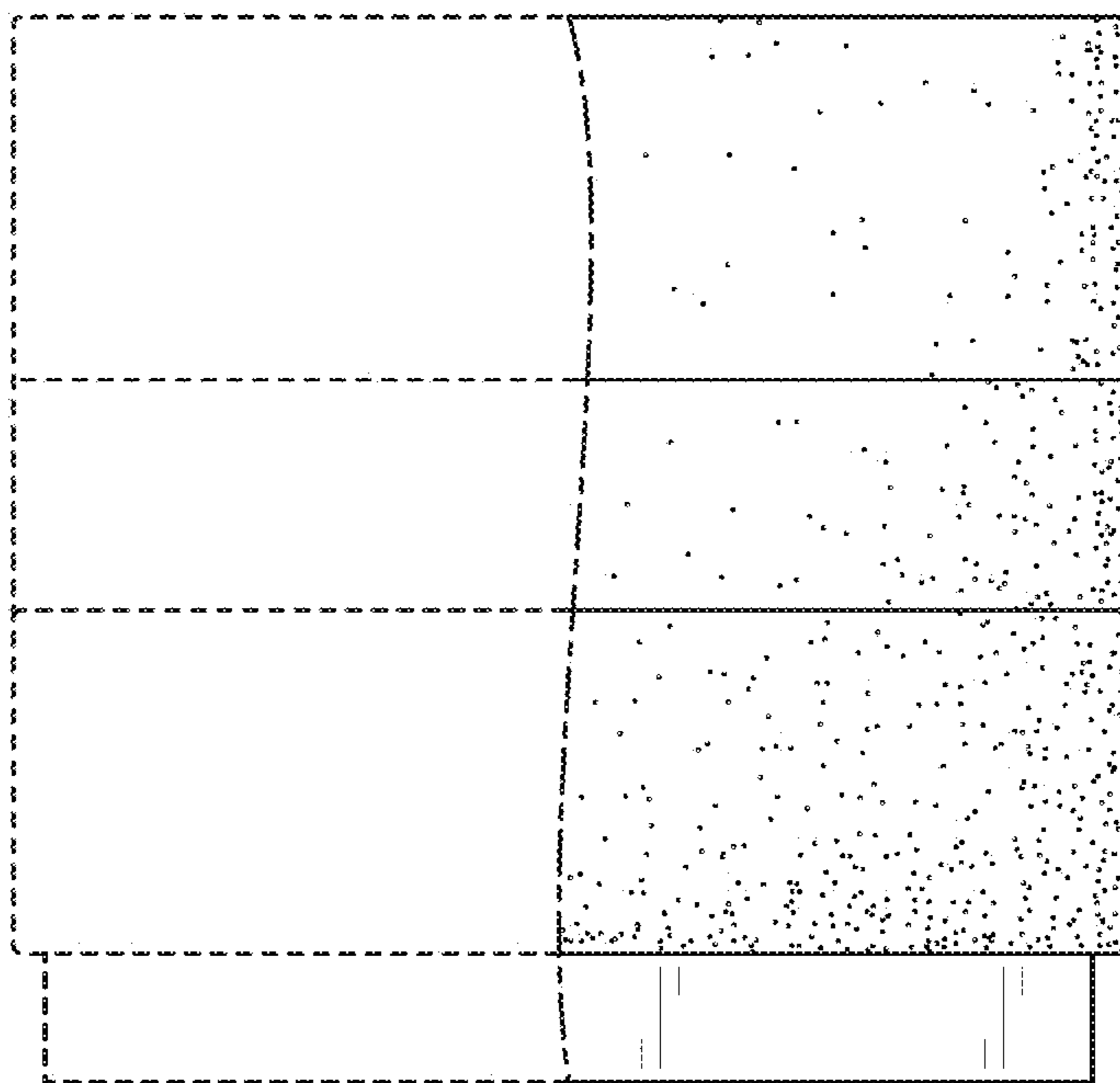


FIG. 8

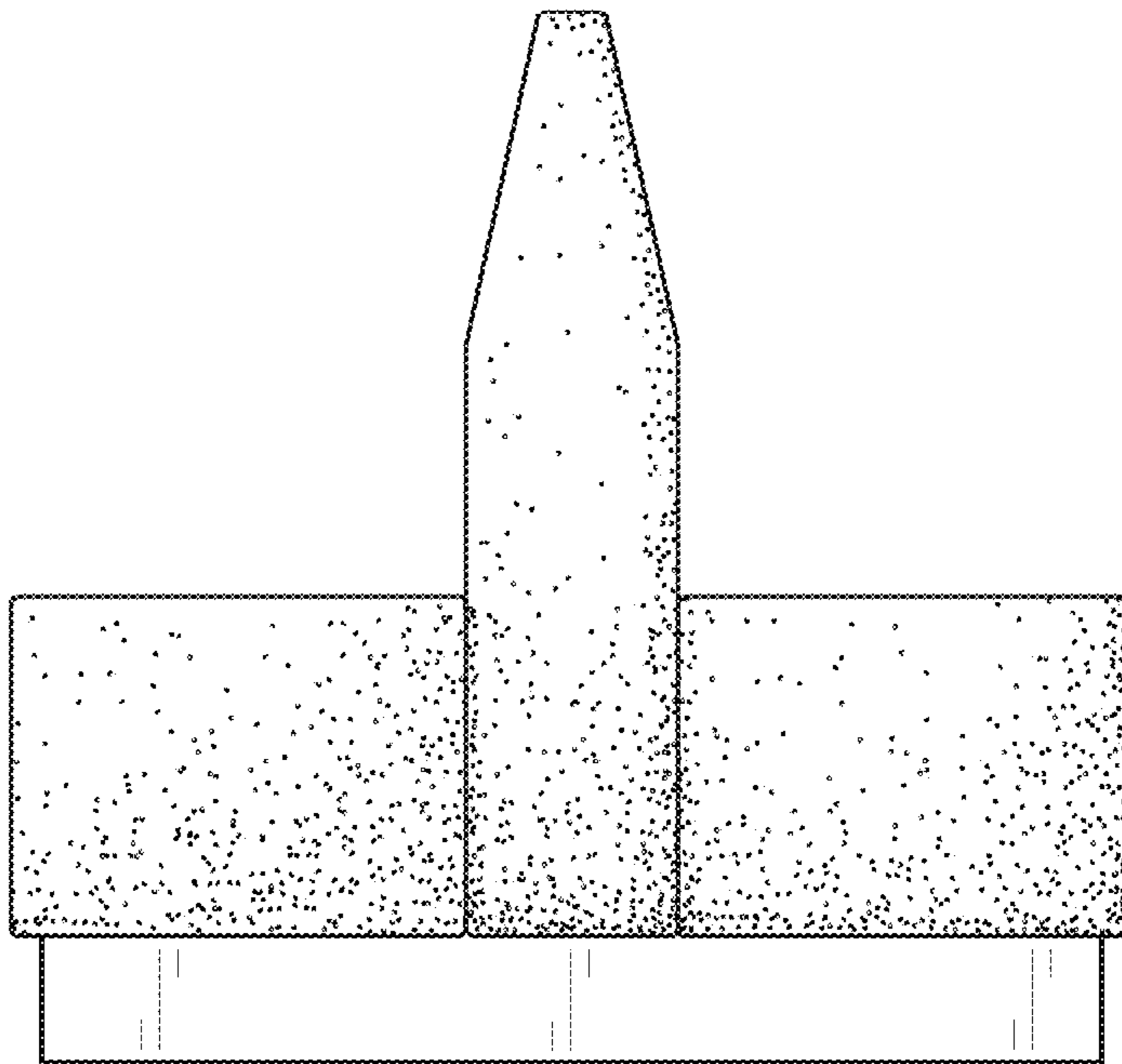


FIG. 9

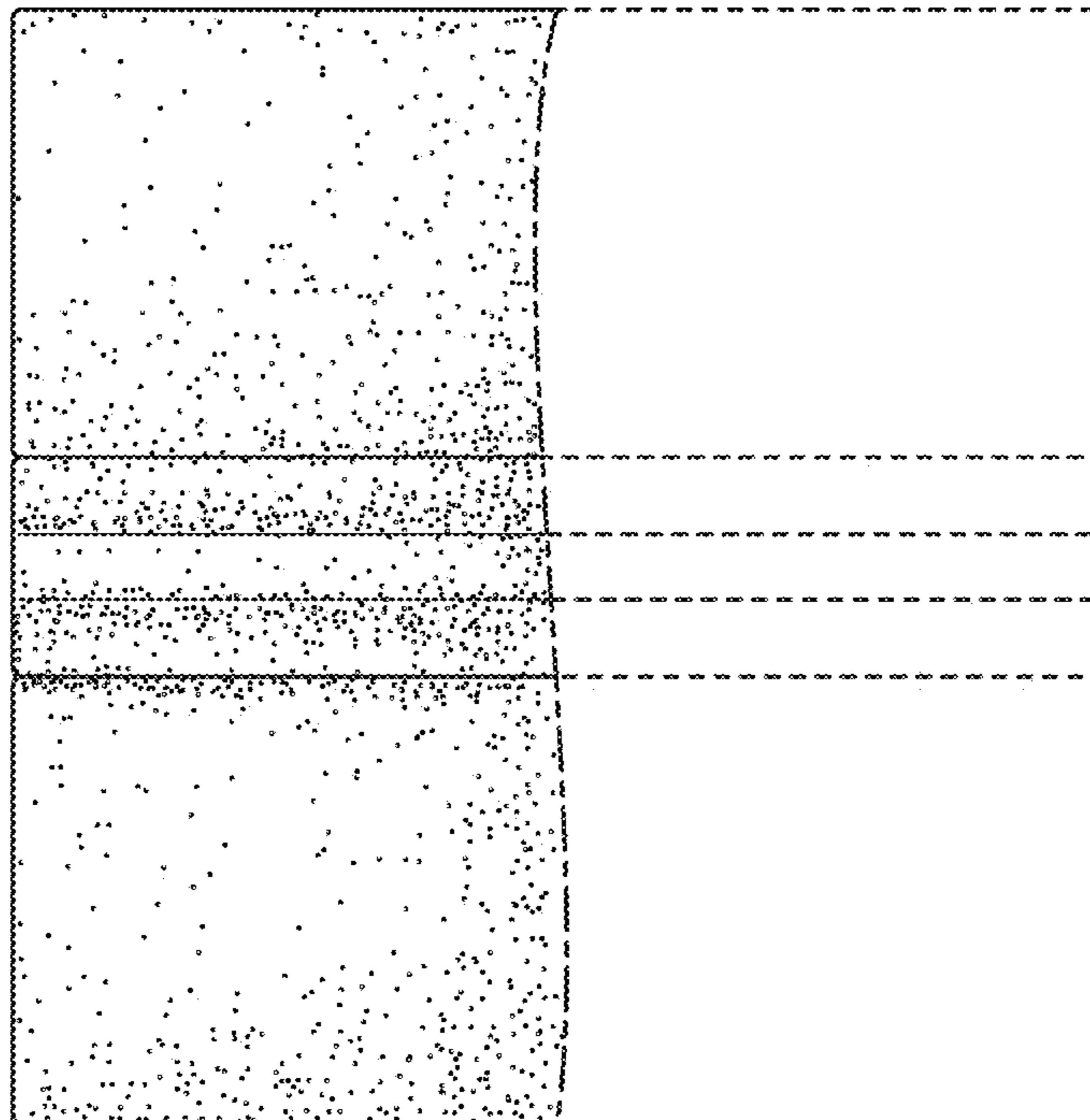


FIG. 10