



US00D933974S

(12) **United States Design Patent** (10) **Patent No.:** **US D933,974 S**
Choi (45) **Date of Patent:** **** Oct. 26, 2021**

(54) **VANITY MIRROR**
(71) Applicant: **Impressions Vanity Company**, Tustin, CA (US)
(72) Inventor: **Dong Kevin Choi**, Tustin, CA (US)
(73) Assignee: **Impressions Vanity Company**, Tustin, CA (US)

D379,125 S * 5/1997 Simjian D24/139
D431,375 S * 10/2000 Zadro D6/309
D825,205 S * 8/2018 Liu D6/310
D825,206 S * 8/2018 Liu D6/310
D829,007 S * 9/2018 Choi D6/310

(Continued)

(**) Term: **15 Years**

FOREIGN PATENT DOCUMENTS

EM 007223706-0002 * 11/2019

(21) Appl. No.: **29/702,324**

(22) Filed: **Aug. 19, 2019**

(51) **LOC (13) Cl.** **06-07**

(52) **U.S. Cl.**
USPC **D6/310; D6/312**

(58) **Field of Classification Search**
USPC D6/300, 301, 302, 303, 304, 307, 308,
D6/309, 310, 311, 312, 313, 314;
D14/336, 341, 371, 372, 374, 381, 382,
D14/448, 450
CPC A47G 1/0616; A47G 1/142; A47G
2001/0694; A47G 1/06; A47G 1/0605;
A47G 1/0633; A47G 1/0638; A47G
1/0644; A47G 1/08; A47G 1/10; A47G
1/14; A47G 1/141; A47G 1/16; A47G
1/1606; A47G 1/1613; A47G 2001/0661;
A47G 2001/0672; A47G 2001/0688;
A47G 2001/148; A47G 1/00; A47G 1/02;
G06F 1/1654

See application file for complete search history.

(56) **References Cited**

U.S. PATENT DOCUMENTS

1,788,209 A * 1/1931 Sheehan A47G 1/14
40/780
1,837,348 A * 12/1931 Ware G09F 1/12
40/763
3,711,182 A * 1/1973 Jasgur A45D 42/10
359/488.01
D262,026 S * 11/1981 Garan D14/240

OTHER PUBLICATIONS

Royale Petit Makeup Mirror [online], [site visited Jul. 23, 2020]. Available from internet, URL:<<https://impressionsvanity.com/collections/makeup-mirrors/products/royale-petit?variant=19605538799709>> (Year: 2020).*

(Continued)

Primary Examiner — Cynthia Ramirez
Assistant Examiner — Xavier Marti-Santos
(74) *Attorney, Agent, or Firm* — Ansari Katiraei LLP;
Arman Katiraei; Sadiq Ansari

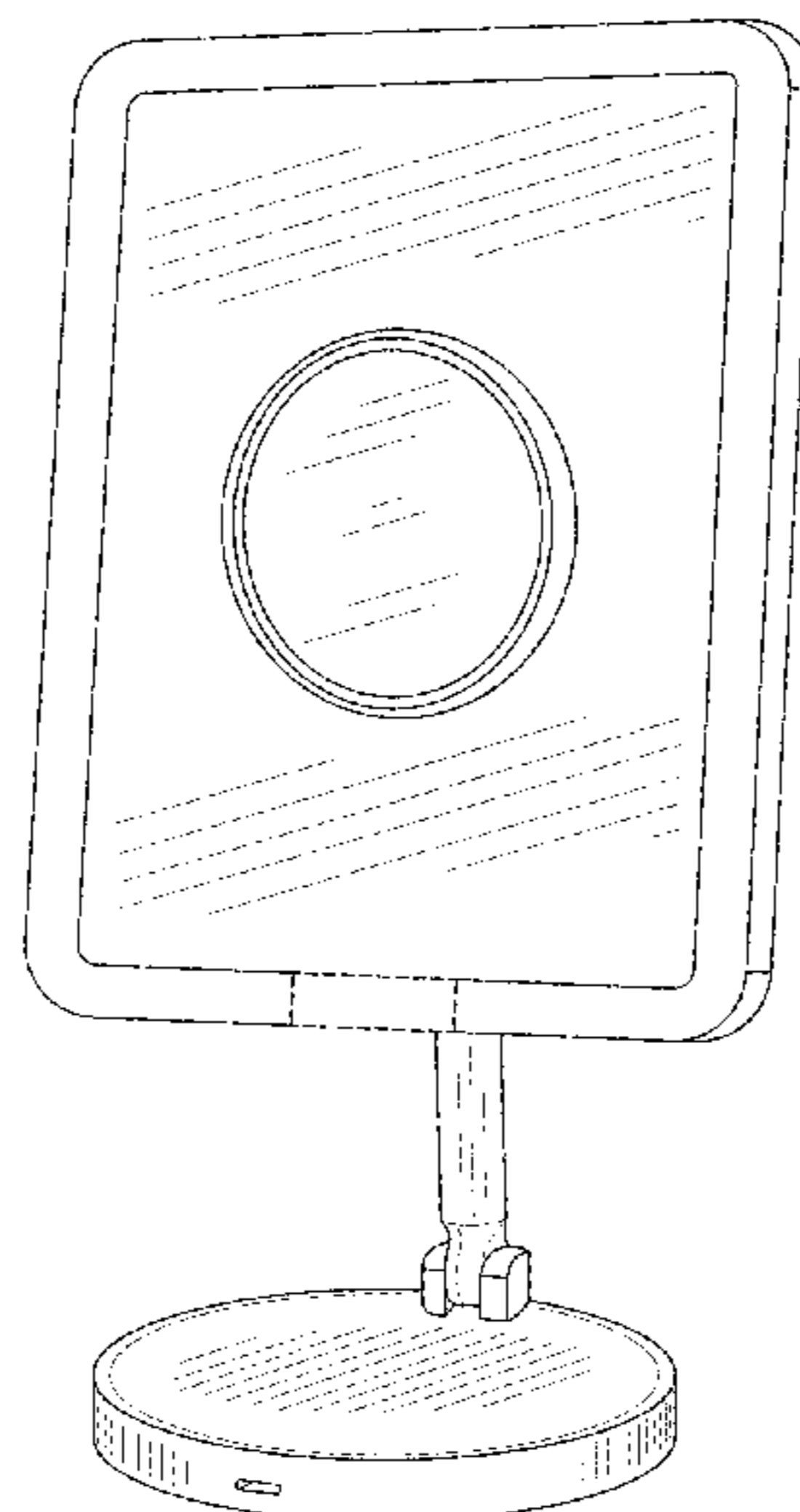
(57) **CLAIM**

I claim the ornamental design for a vanity mirror, as shown and described.

DESCRIPTION

FIG. 1 is a front perspective view of a vanity mirror; FIG. 2 is a side view thereof; FIG. 3 is a back view thereof; and, FIG. 4 is a front perspective view showing the larger mirror in an alternative position and the smaller mirror being separated. The broken lines are for the purpose of illustrating portions of the vanity mirror, which form no part of the claimed design. The additional broken lines in FIG. 4 are to show environment and form no part of the claimed design.

1 Claim, 4 Drawing Sheets



(56)

References Cited

U.S. PATENT DOCUMENTS

D830,070 S * 10/2018 Liu D6/309
D872,488 S * 1/2020 Choi D6/309
D879,480 S * 3/2020 Yang D6/308
D889,857 S * 7/2020 Liu D6/310

OTHER PUBLICATIONS

Absolutely Luvly Natural Daylight Lighted Makeup Mirror [online],
[site visited Jul. 23, 2020]. Available from internet, URL:<<https://www.amazon.com/Daylight-Detachable-Magnification-Convenience-Definition/dp/B06XDNCV4M>> (Year: 2017).*

* cited by examiner

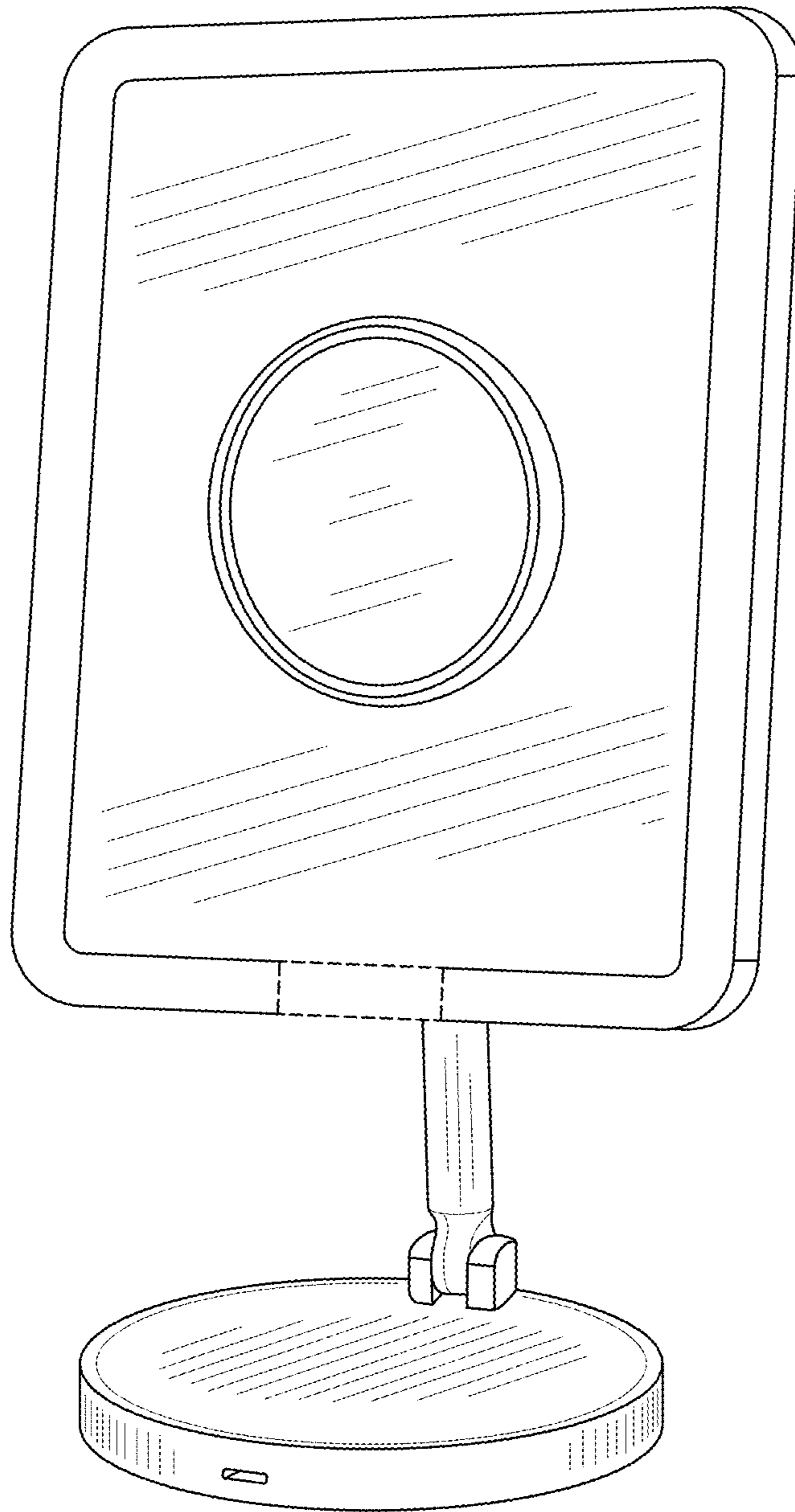


FIG. 1

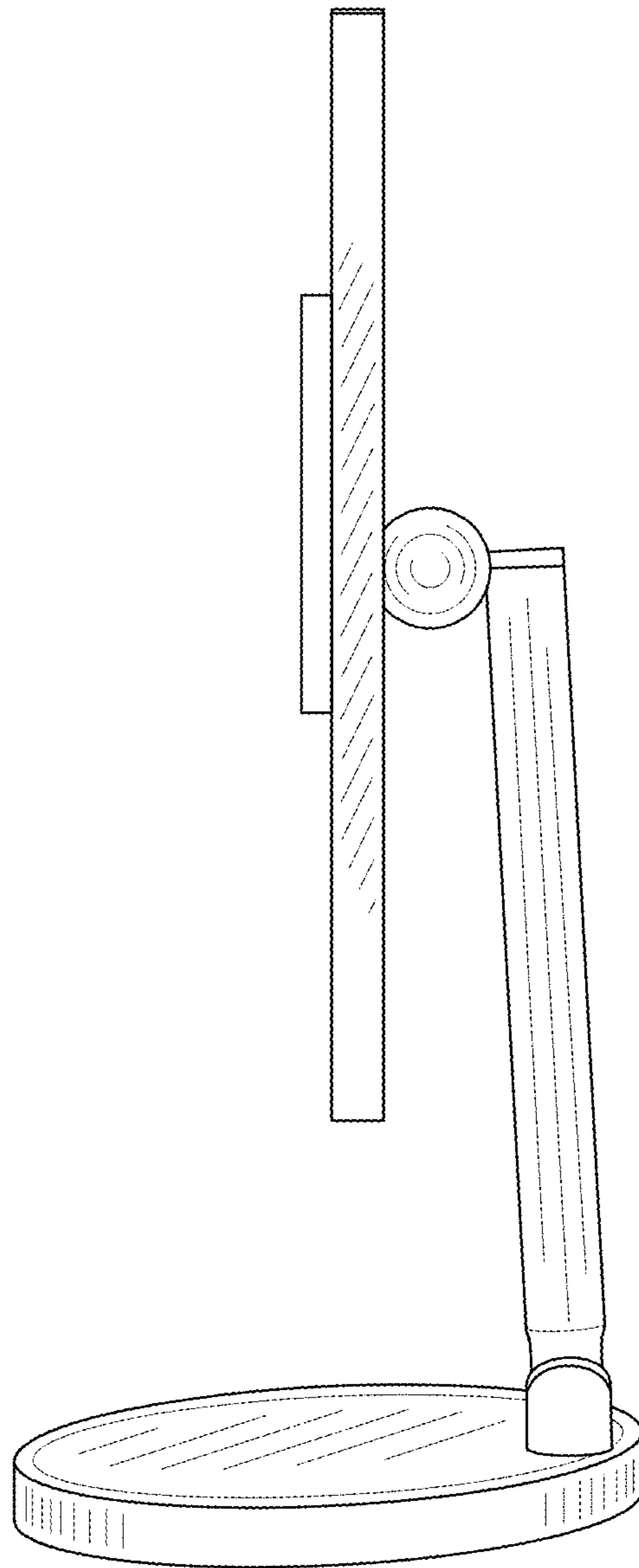


FIG. 2

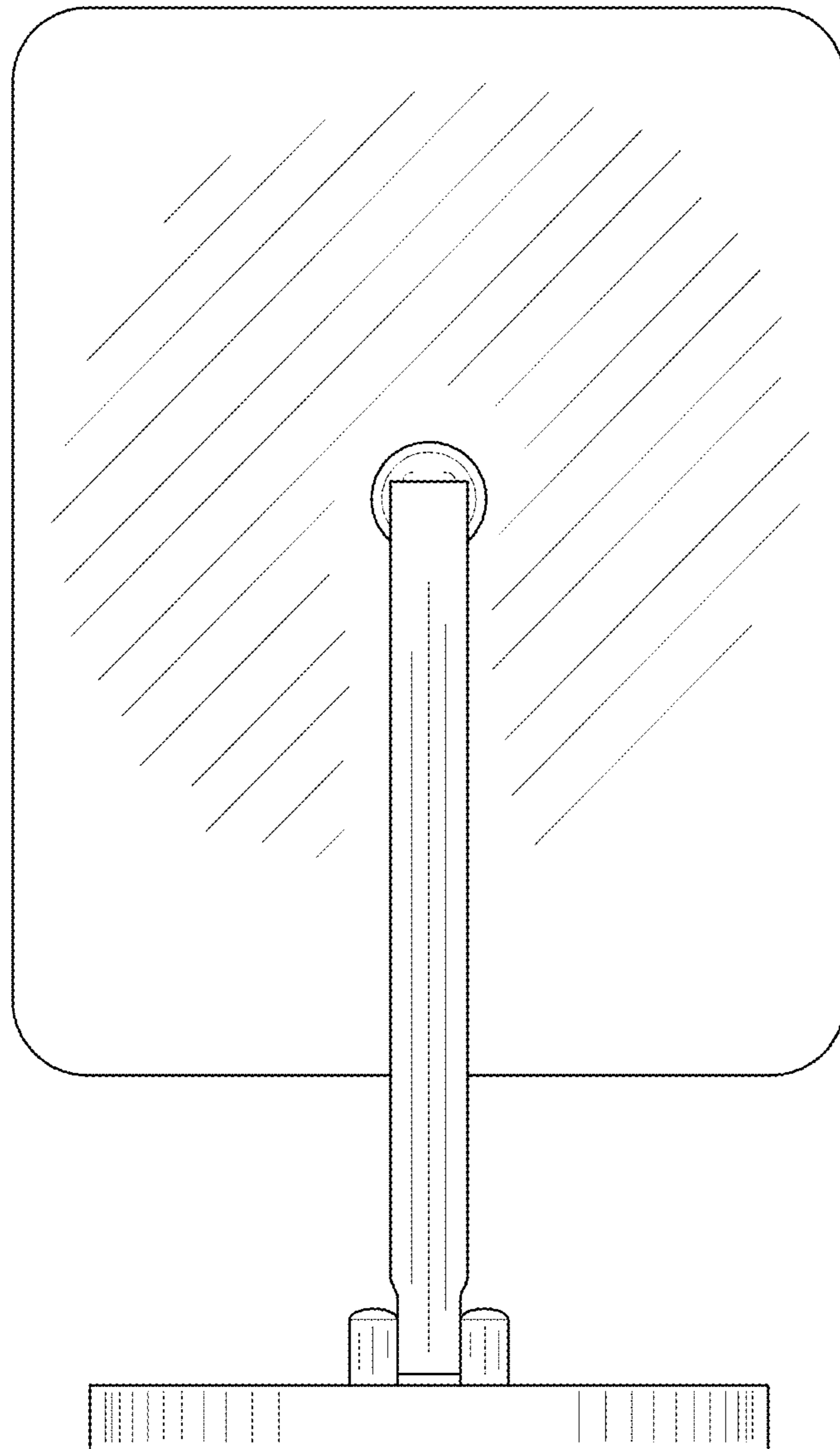


FIG. 3

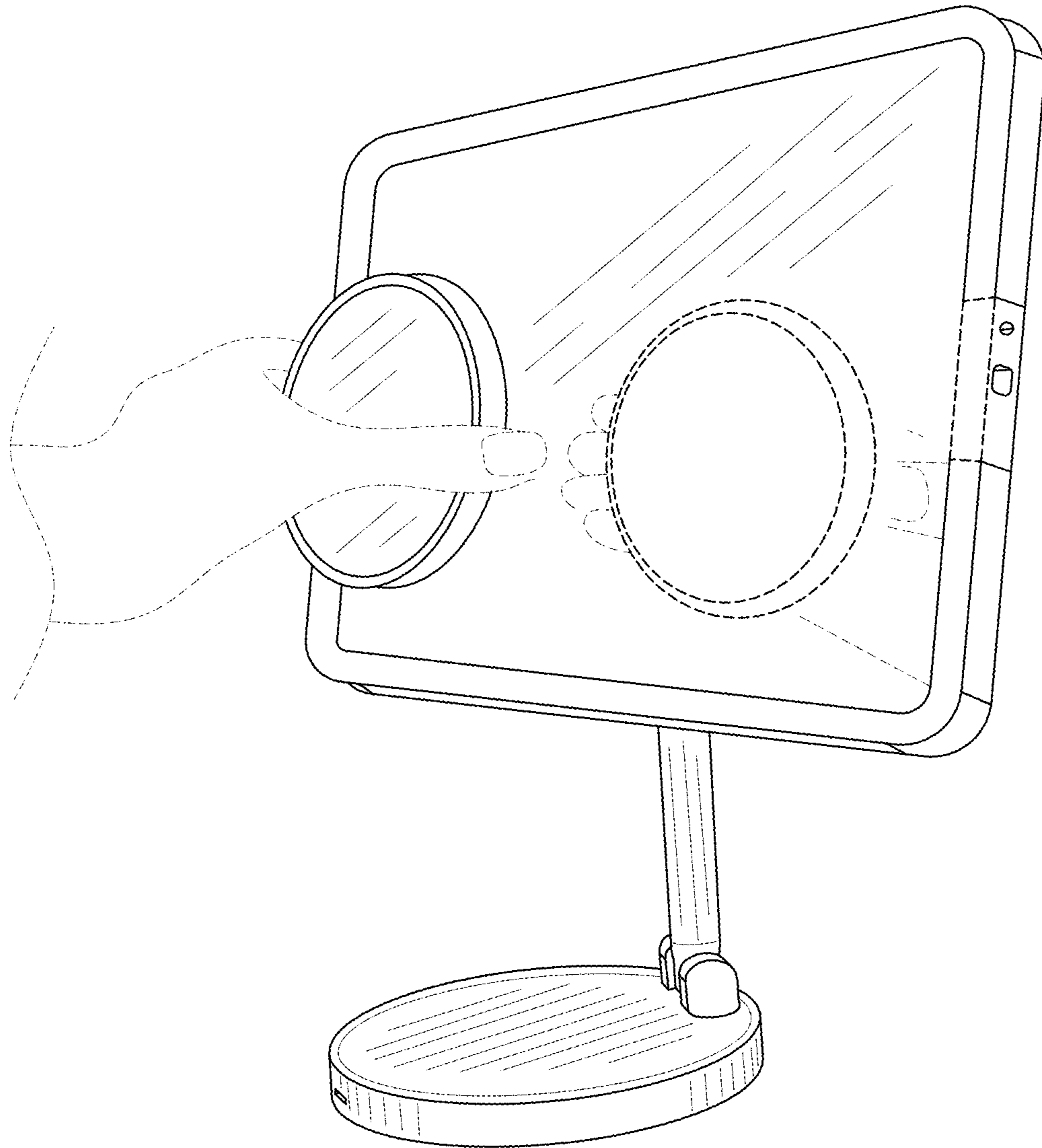


FIG. 4