



US00D933971S

(12) **United States Design Patent**
Rybacek

(10) **Patent No.:** **US D933,971 S**
(45) **Date of Patent:** **** Oct. 26, 2021**

(54) **BRUSH**

FOREIGN PATENT DOCUMENTS

(71) Applicant: **Paris Presents Incorporated**, Gurnee, IL (US)

CN 305344911 * 9/2019
EM 003309780-0001 * 6/2017
GB 2034020 * 2/1994

(72) Inventor: **Nicole Rybacek**, Woodstock, IL (US)

* cited by examiner

(73) Assignee: **Paris Presents Incorporated**, Libertyville, IL (US)

Primary Examiner — Karen E Eldridge Powers

(**) Term: **15 Years**

(57) **CLAIM**

The ornamental design for a brush, as shown and described.

(21) Appl. No.: **29/708,747**

DESCRIPTION

(22) Filed: **Oct. 9, 2019**

(51) **LOC (13) Cl.** **28-03**

(52) **U.S. Cl.**
USPC **D4/127**

(58) **Field of Classification Search**
USPC D4/100, 102, 114, 115, 116, 117, 118, D4/119, 120, 121, 122, 123, 124, 125, D4/126, 127, 128, 129, 130, 131, 132, D4/133, 134, 135, 136, 137, 138, 199; D24/200, 214, 215; D28/7, 20, 28, 29, D28/58, 63, 99; D30/158, 159, 160
CPC A47K 7/00; A47K 7/02; A46B 2200/1006; A46B 2200/102; A61H 7/003
See application file for complete search history.

FIG. 1 is an isometric view of a front, top, and right side of an ornamental design for a brush in a closed state; FIG. 2 is a front elevational view of the brush of FIG. 1; FIG. 3 is a rear elevational view of the brush of FIG. 1; FIG. 4 is a right side elevational view of the brush of FIG. 1; FIG. 5 is a left side elevational view of the brush of FIG. 1; FIG. 6 is a top plan view of the brush of FIG. 1; FIG. 7 is a bottom plan view of the brush of FIG. 1; FIG. 8 is an isometric view of the front, bottom, and right side of the brush of FIG. 1 in an opened state; FIG. 9 is an isometric view of the front, top, and left side of the brush of FIG. 8; FIG. 10 is a front elevational view of the brush of FIG. 8; FIG. 11 is a rear elevational view of the brush of FIG. 8; FIG. 12 is a right side elevational view of the brush of FIG. 8; FIG. 13 is a left side elevational view of the brush of FIG. 8; FIG. 14 is a top plan view of the brush of FIG. 8; and, FIG. 15 is a bottom plan view of the brush of FIG. 8.

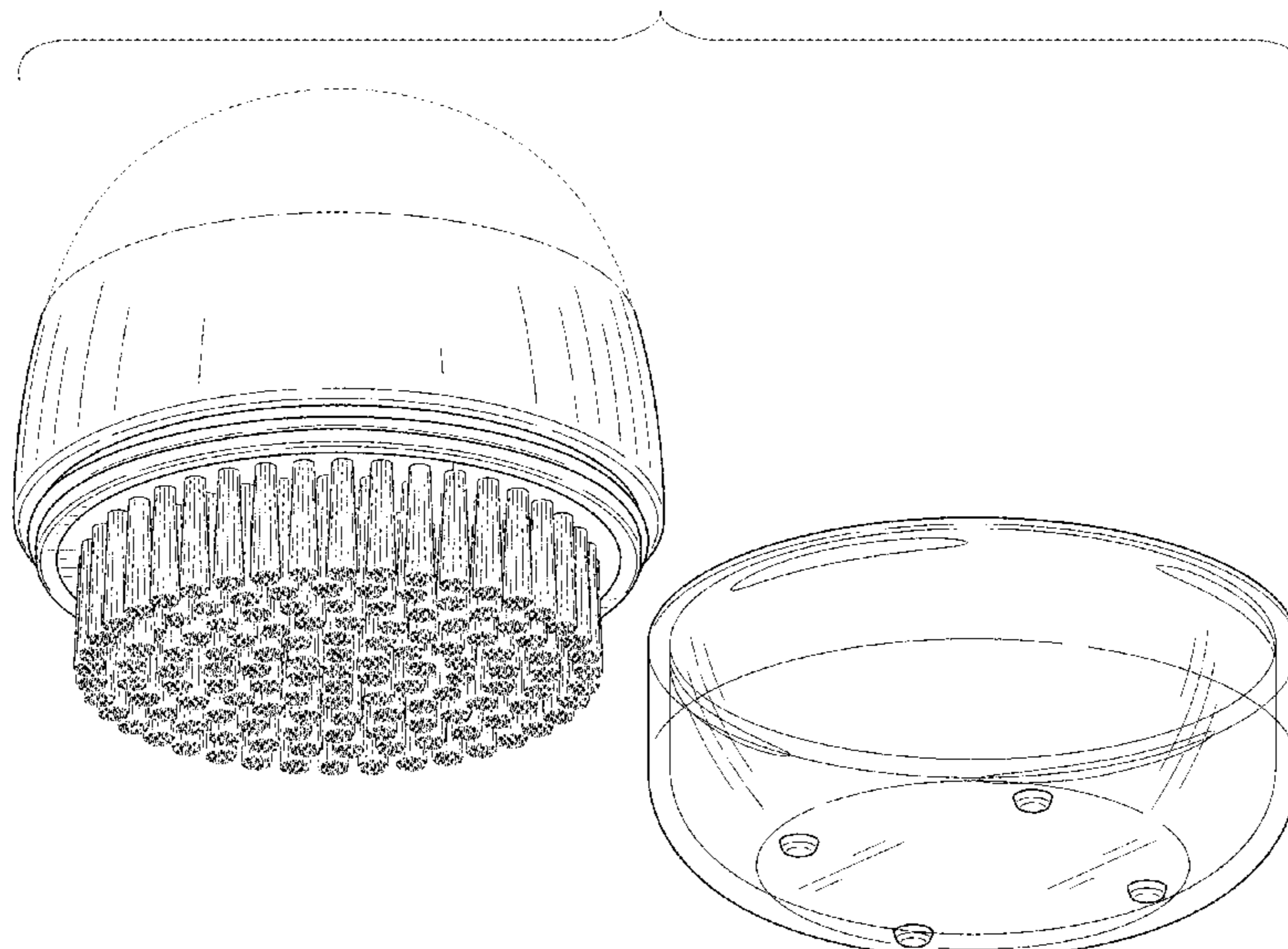
(56) **References Cited**

U.S. PATENT DOCUMENTS

3,597,097 A * 8/1971 Kellis A46B 11/0041 401/6
5,996,163 A * 12/1999 Galizia A46B 5/04 15/104.92
D734,949 S * 7/2015 Behnam D4/127
D823,006 S * 7/2018 Kim D4/136
D828,034 S * 9/2018 Rybacek D4/102
D829,004 S * 9/2018 Cohen D4/102
D889,133 S * 7/2020 Rybacek D4/116
D889,850 S * 7/2020 Rybacek D4/116

The dash-dash-dash lines are included for the purpose of illustrating portions of the brush that form no part of the claimed design. The dash-dot-dash lines are included for the purpose of illustrating boundary lines and form no part of the claimed design.

1 Claim, 12 Drawing Sheets



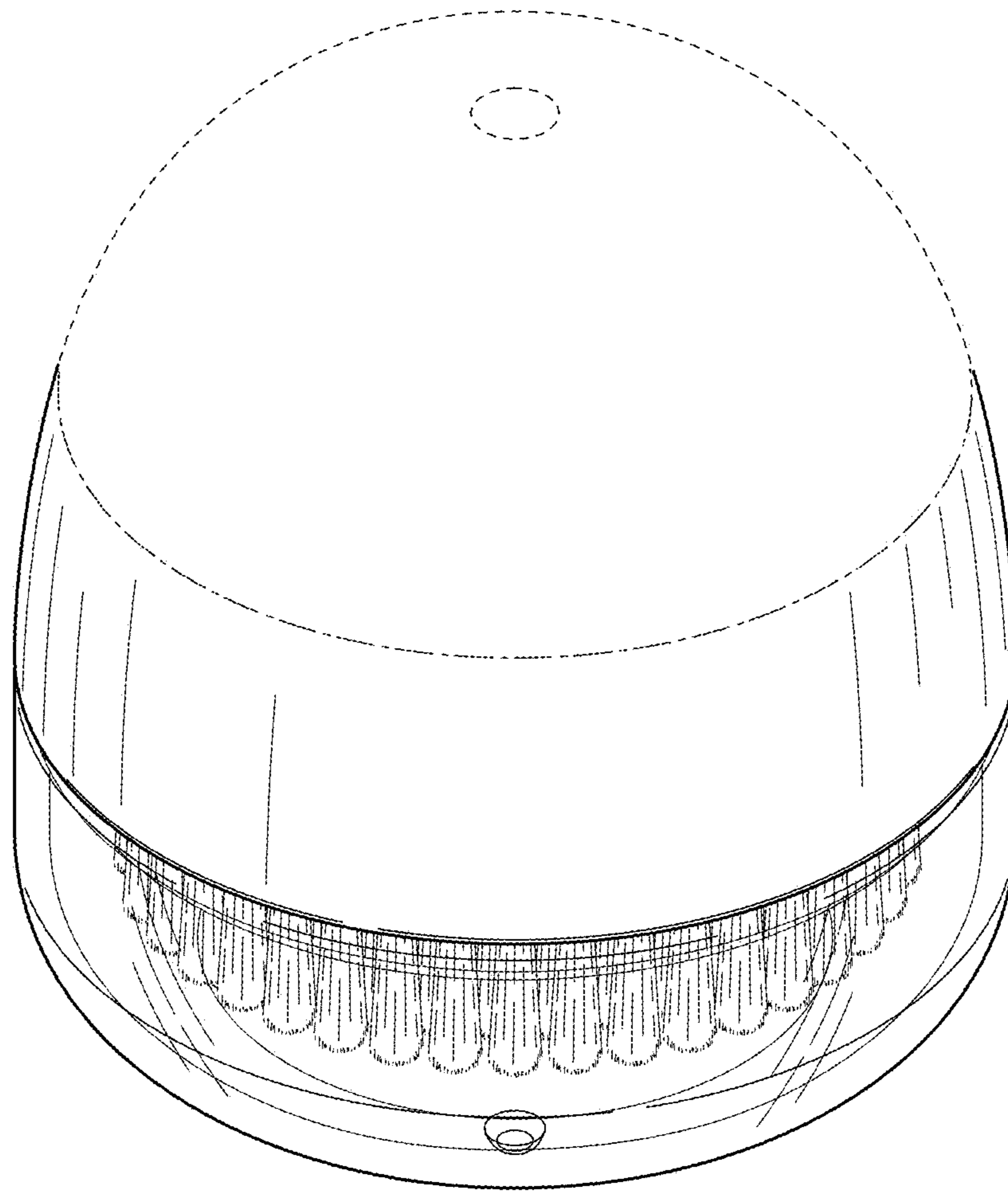


FIG. 1

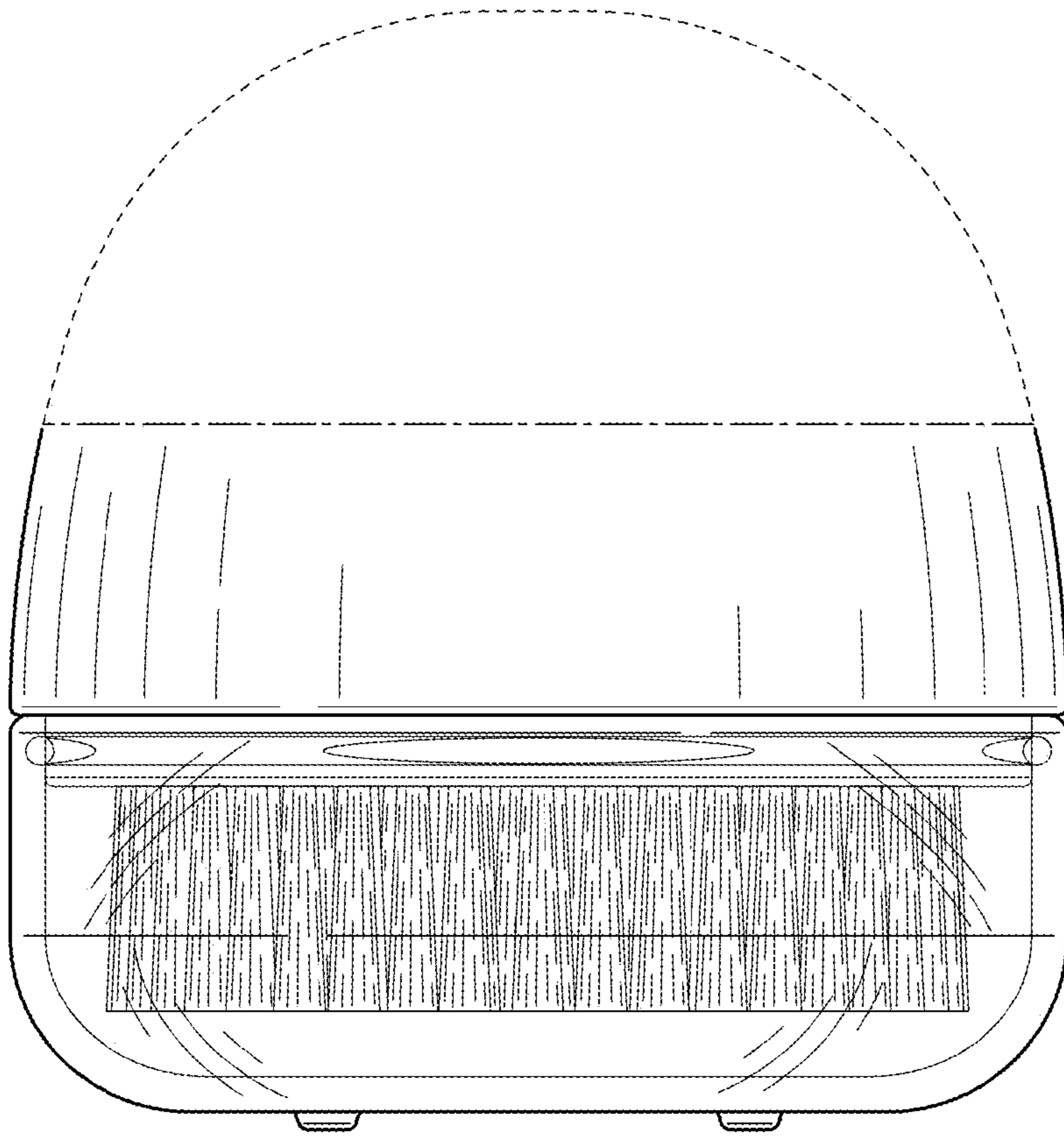


FIG. 2

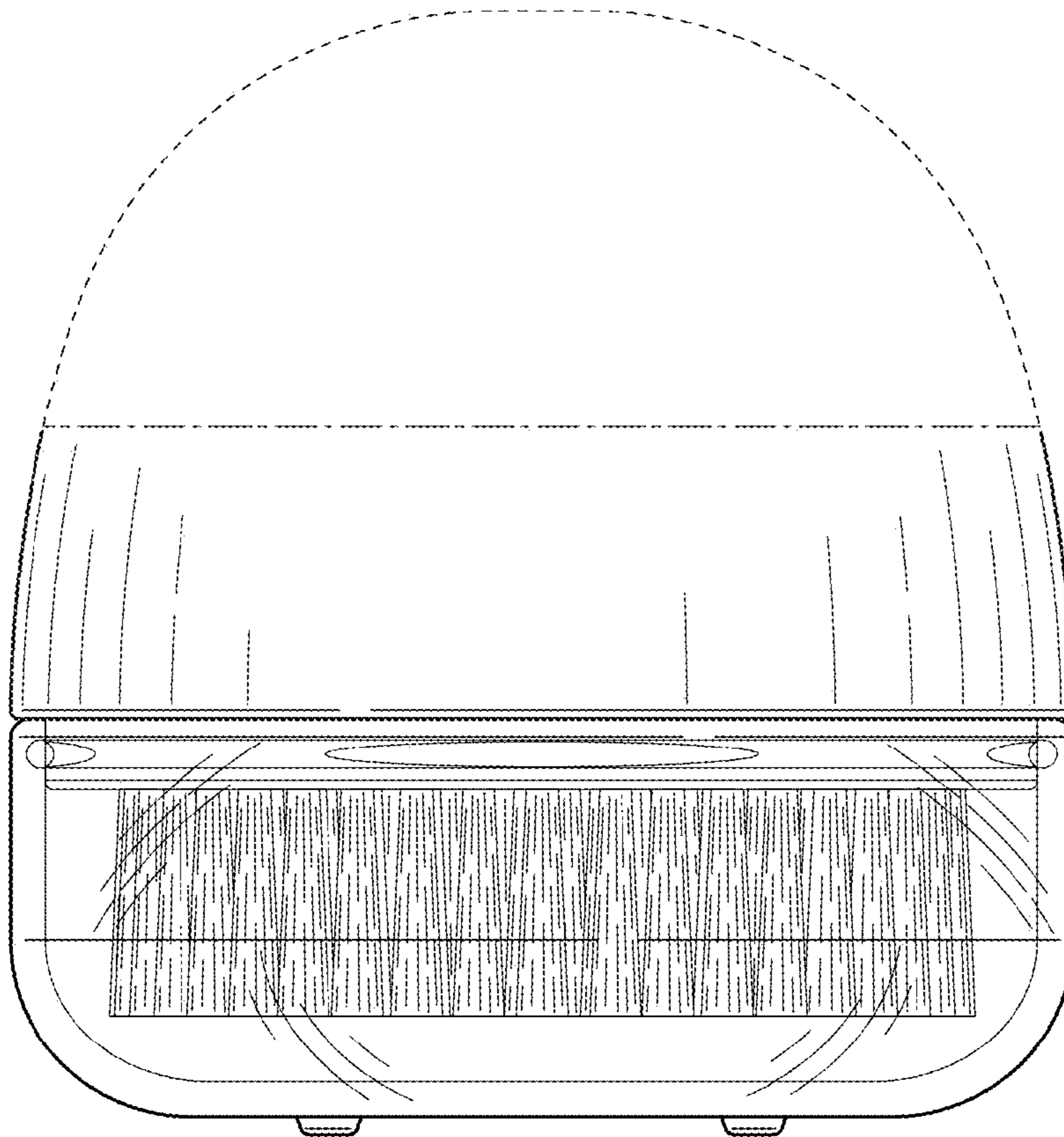


FIG. 3

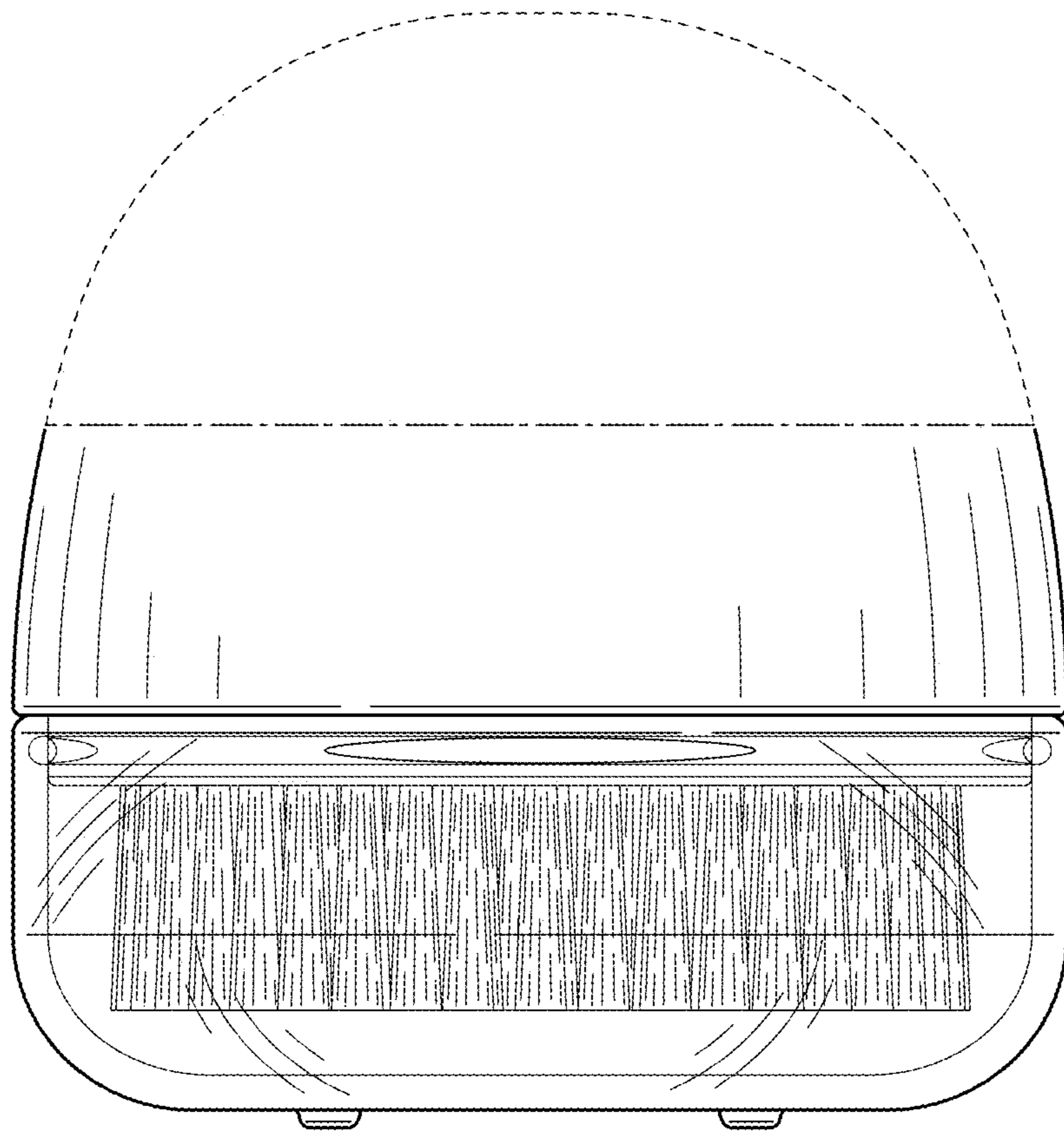


FIG. 4

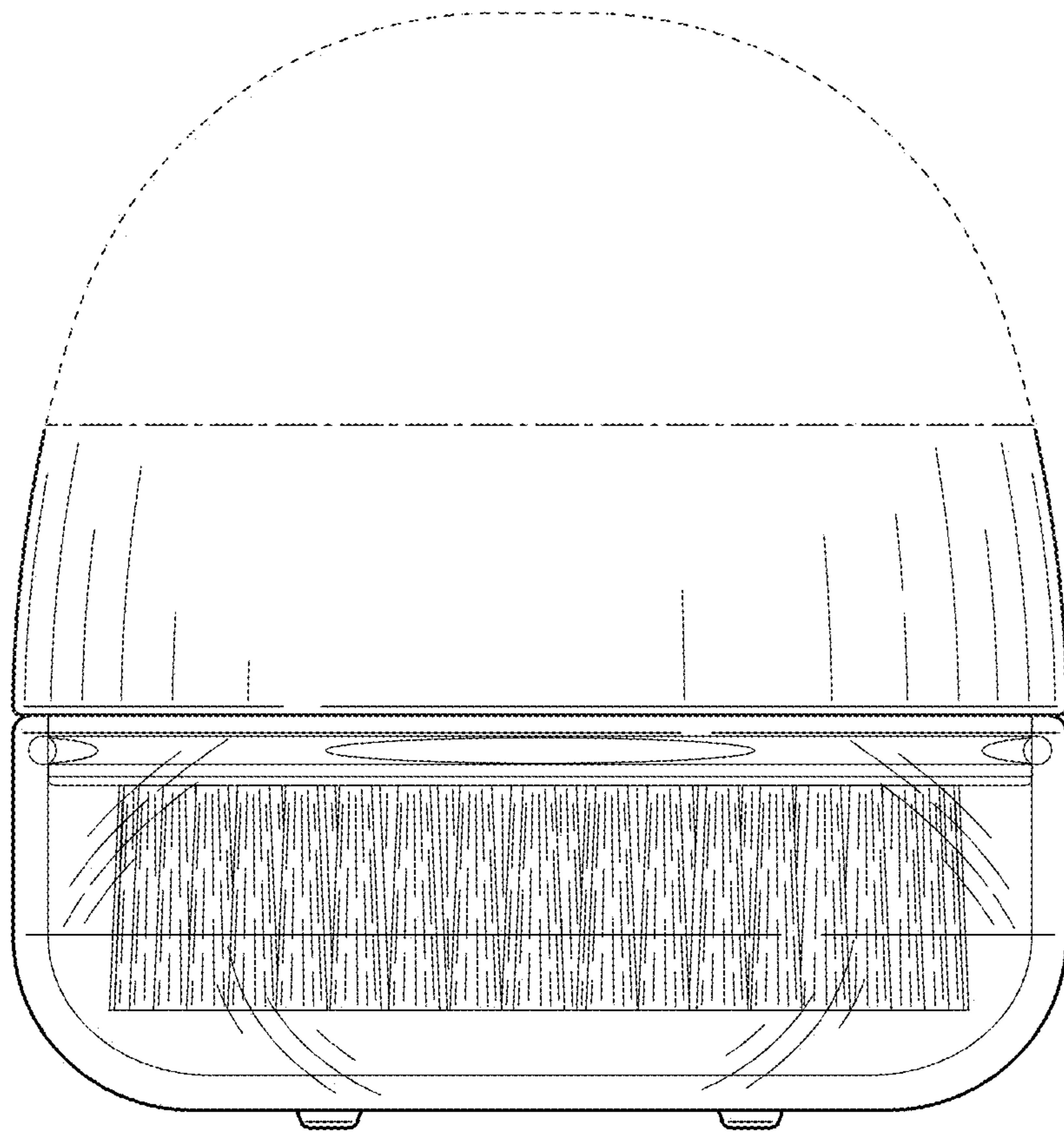


FIG. 5

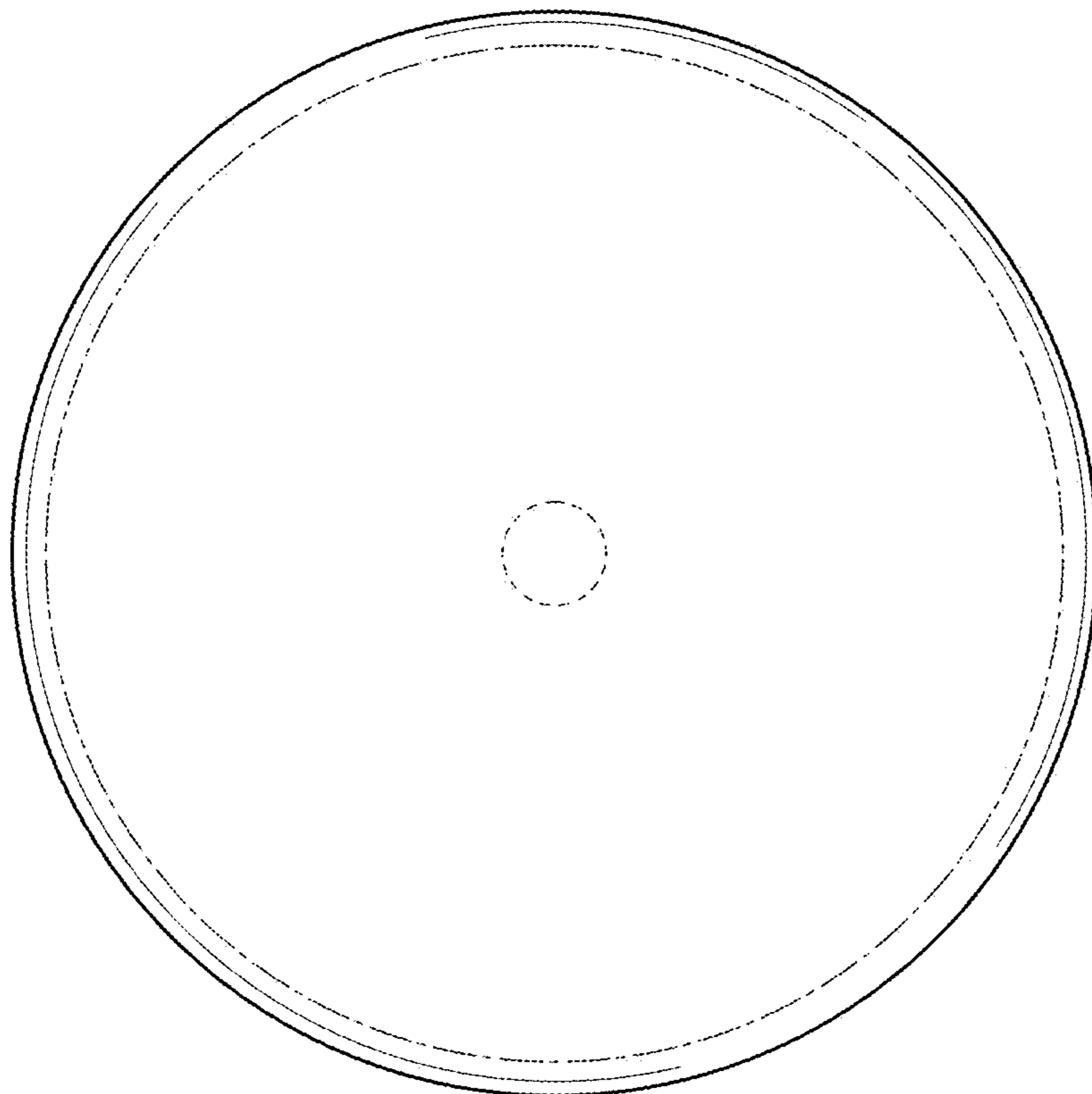


FIG. 6

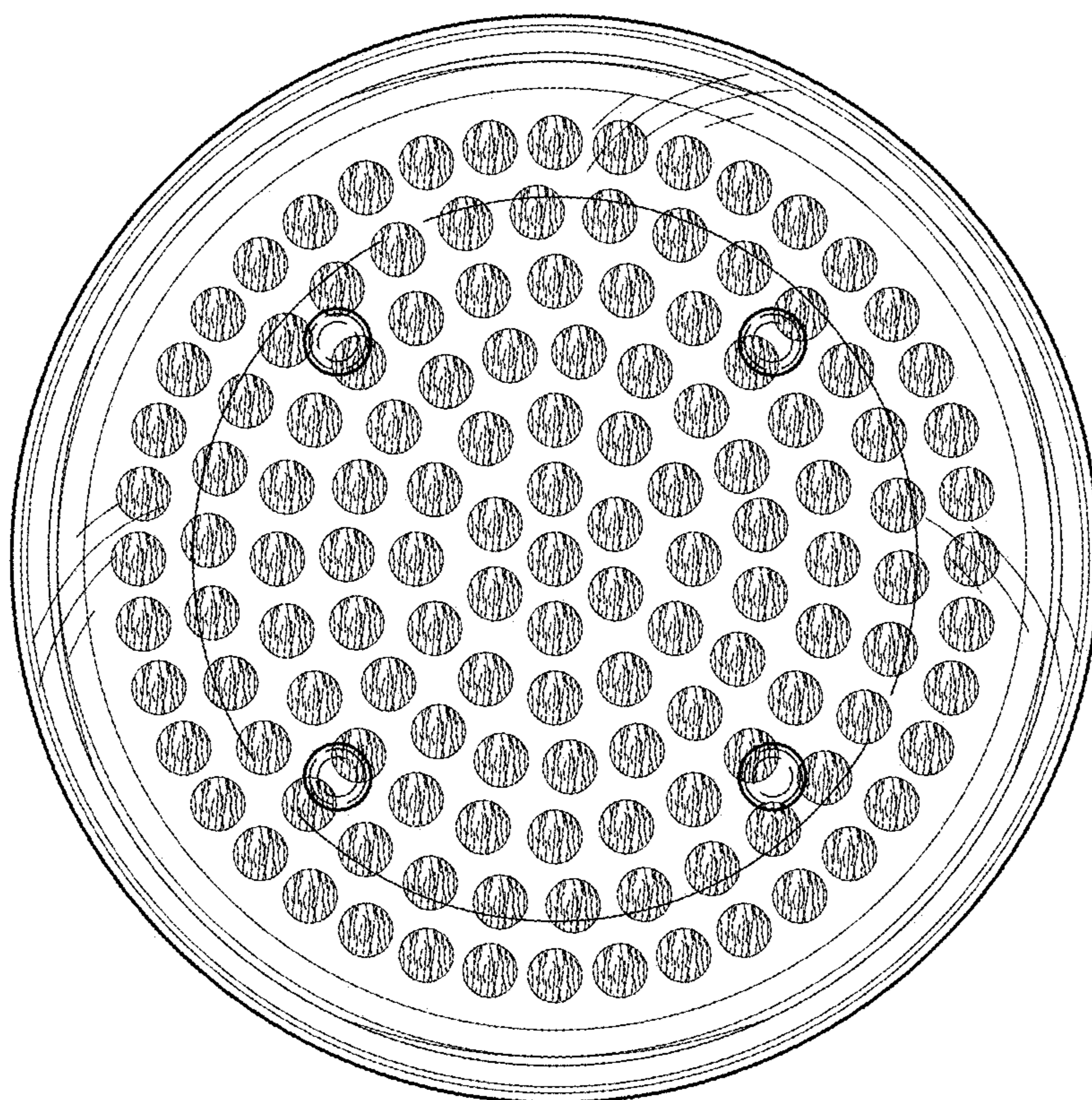


FIG. 7

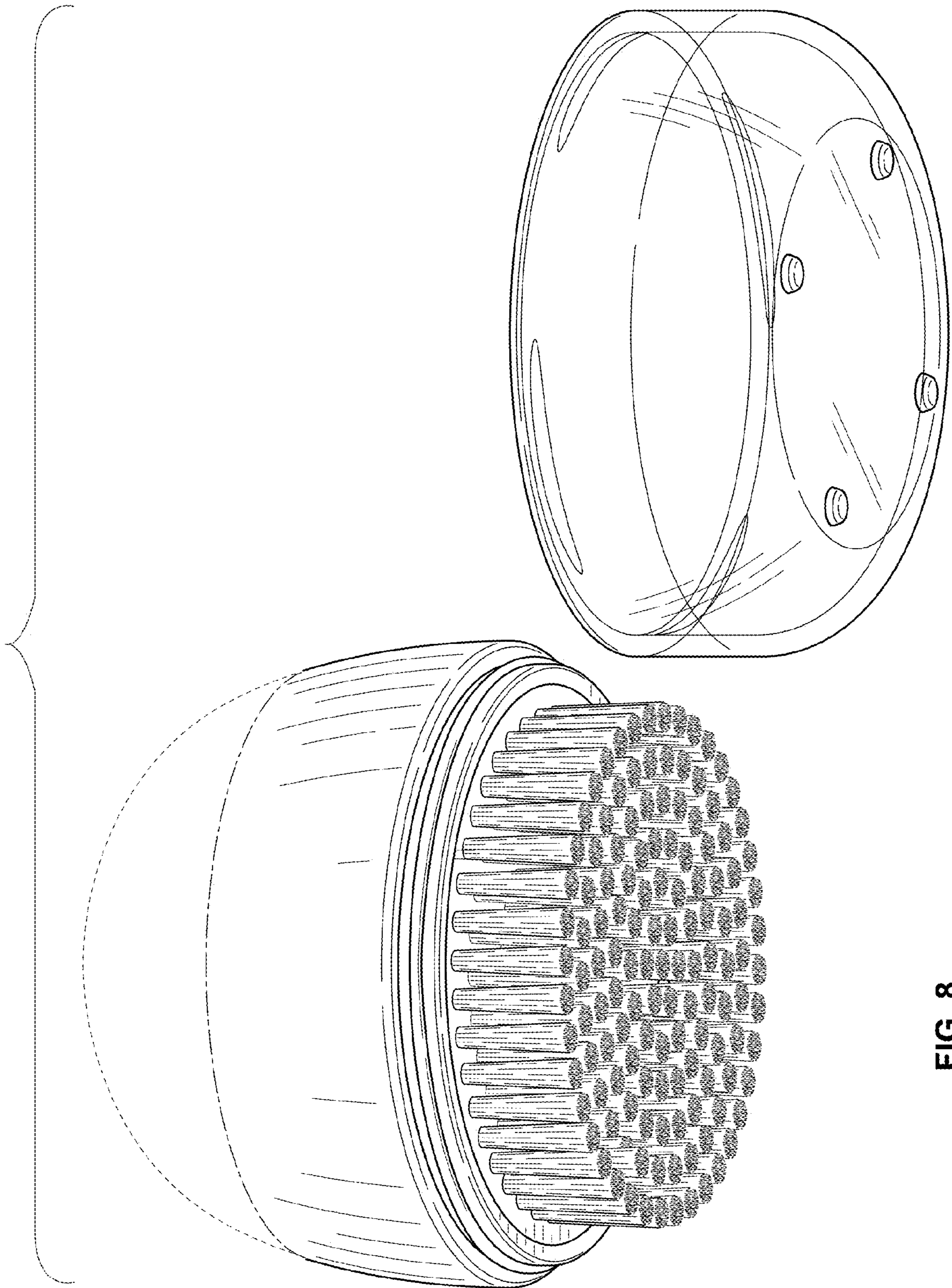


FIG. 8

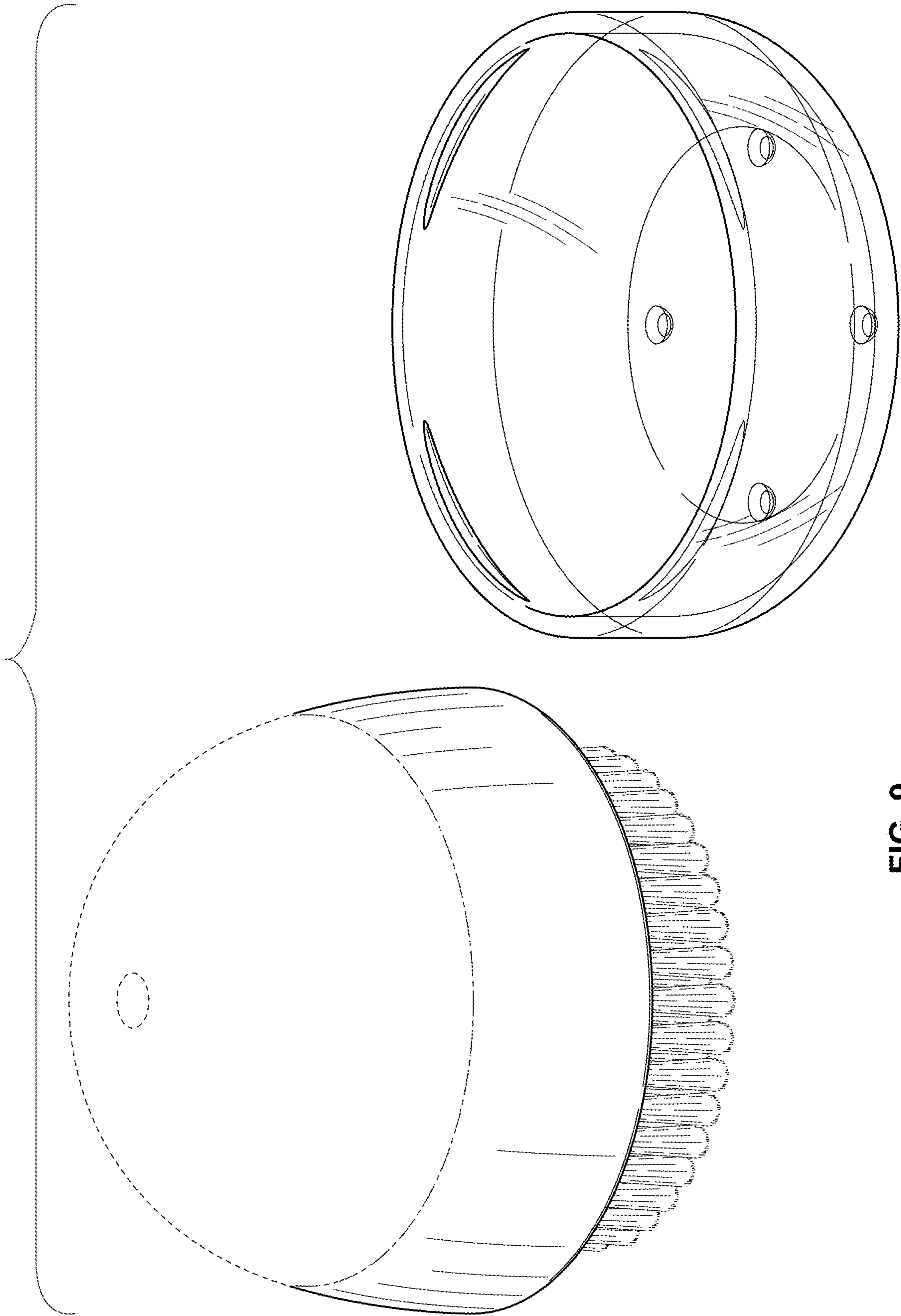


FIG. 9

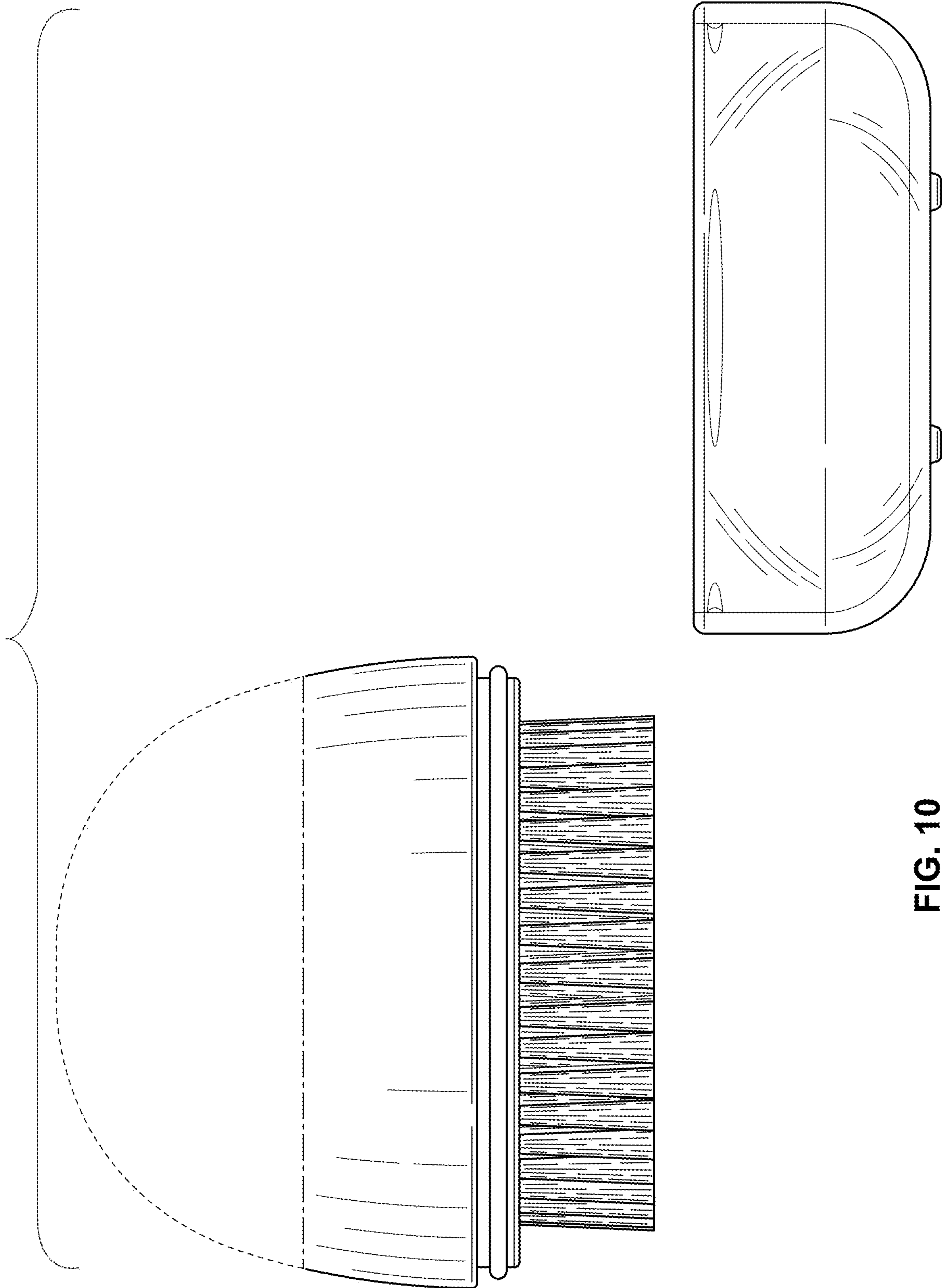


FIG. 10

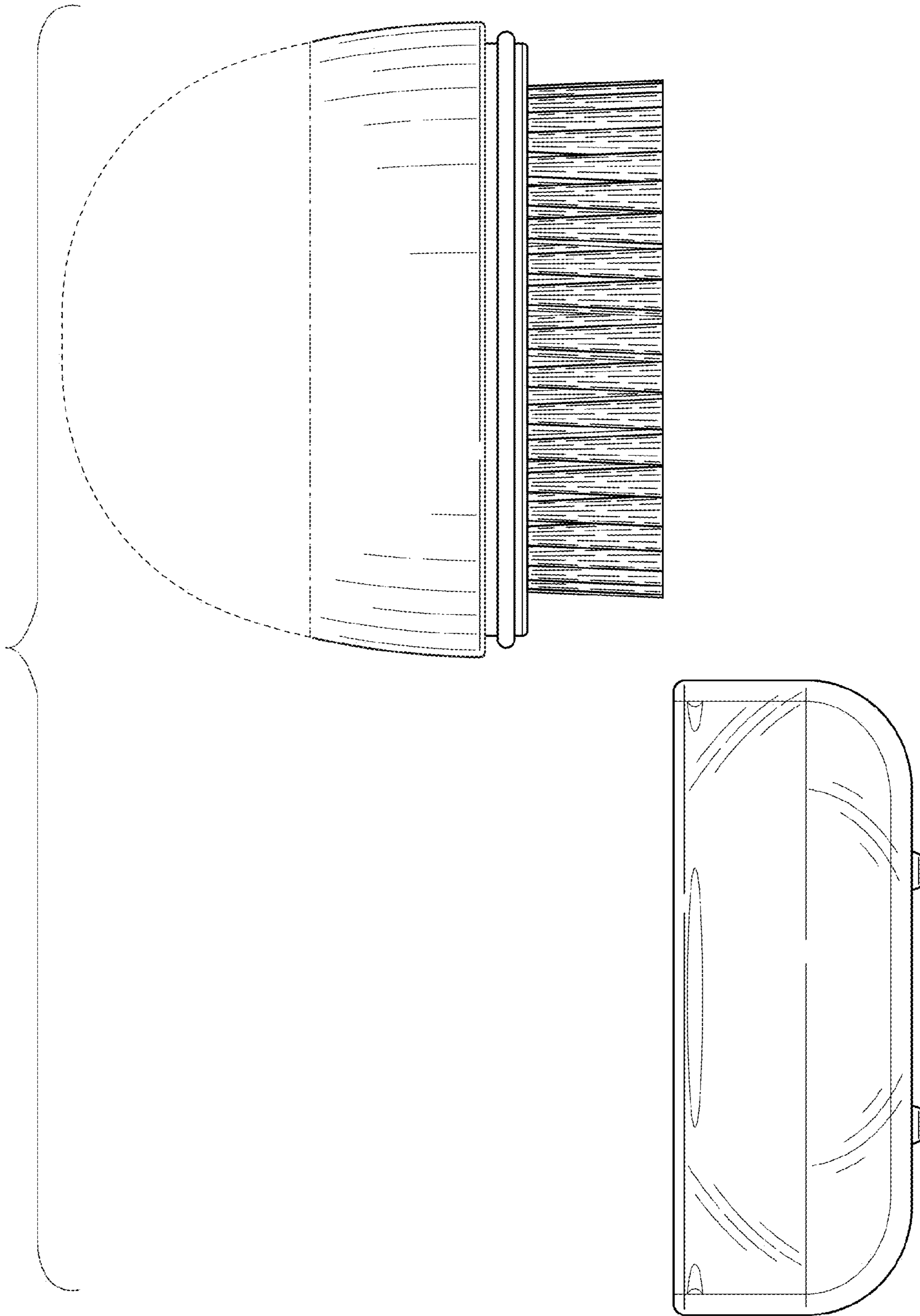


FIG. 11

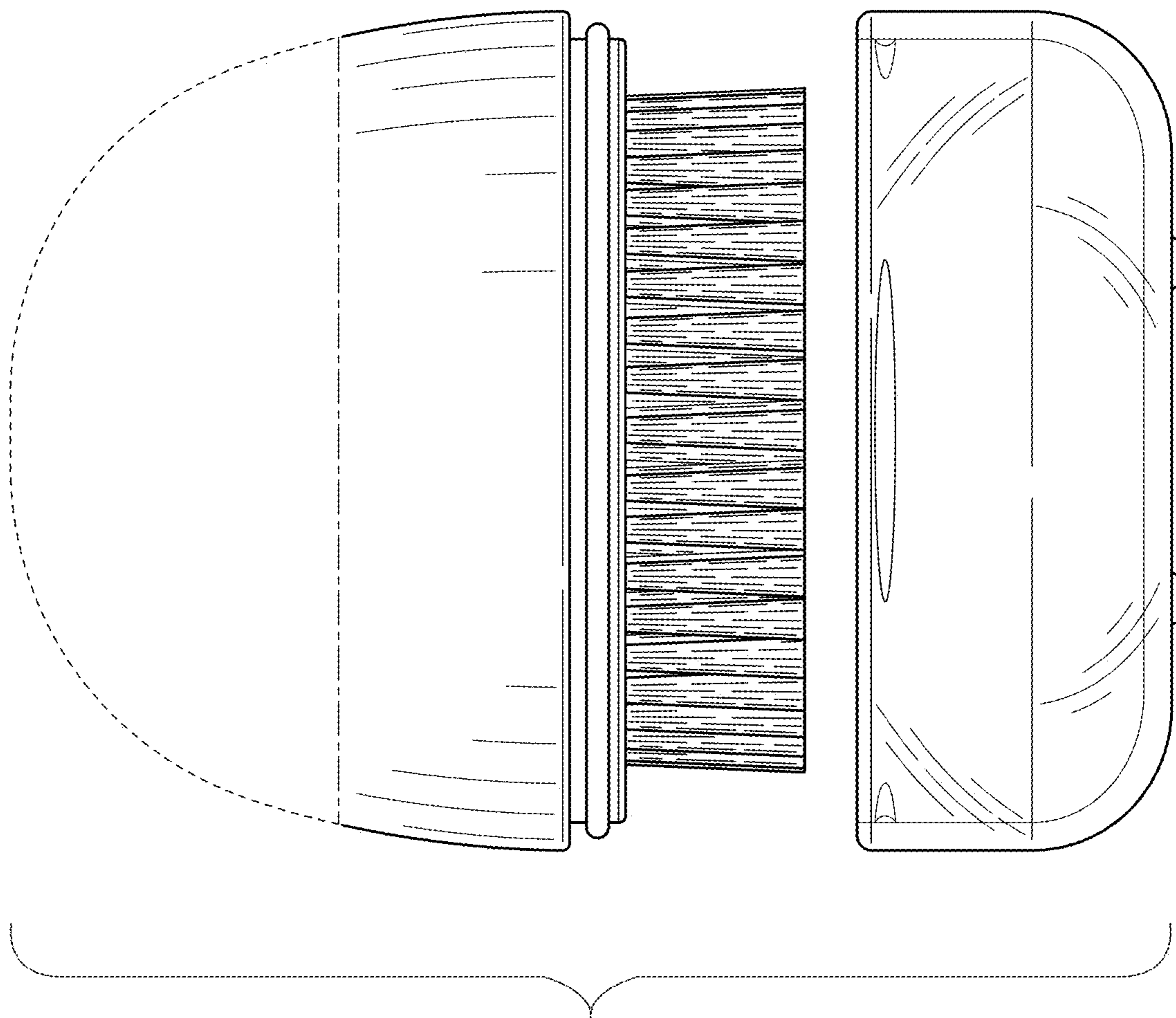


FIG. 12

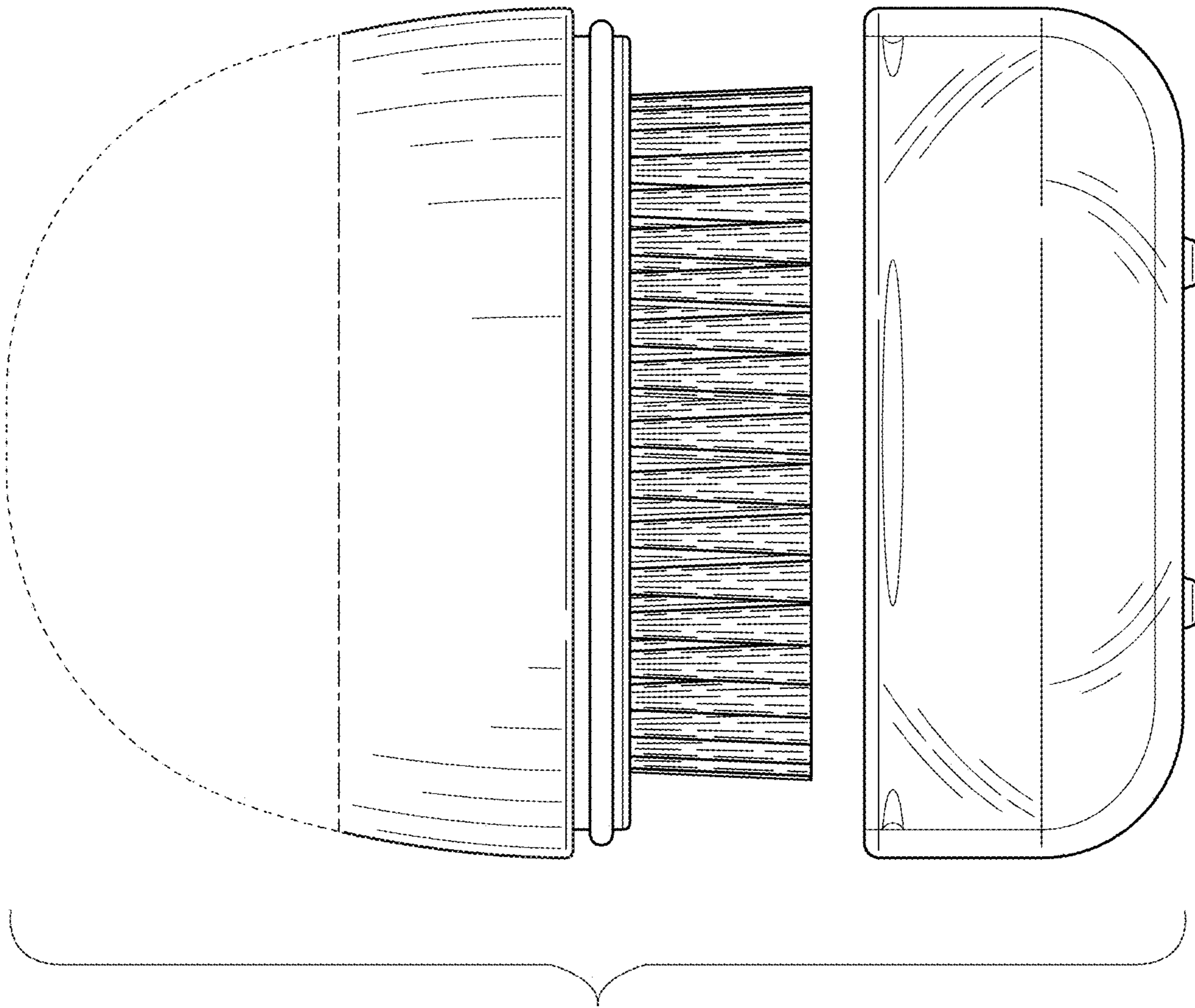


FIG. 13

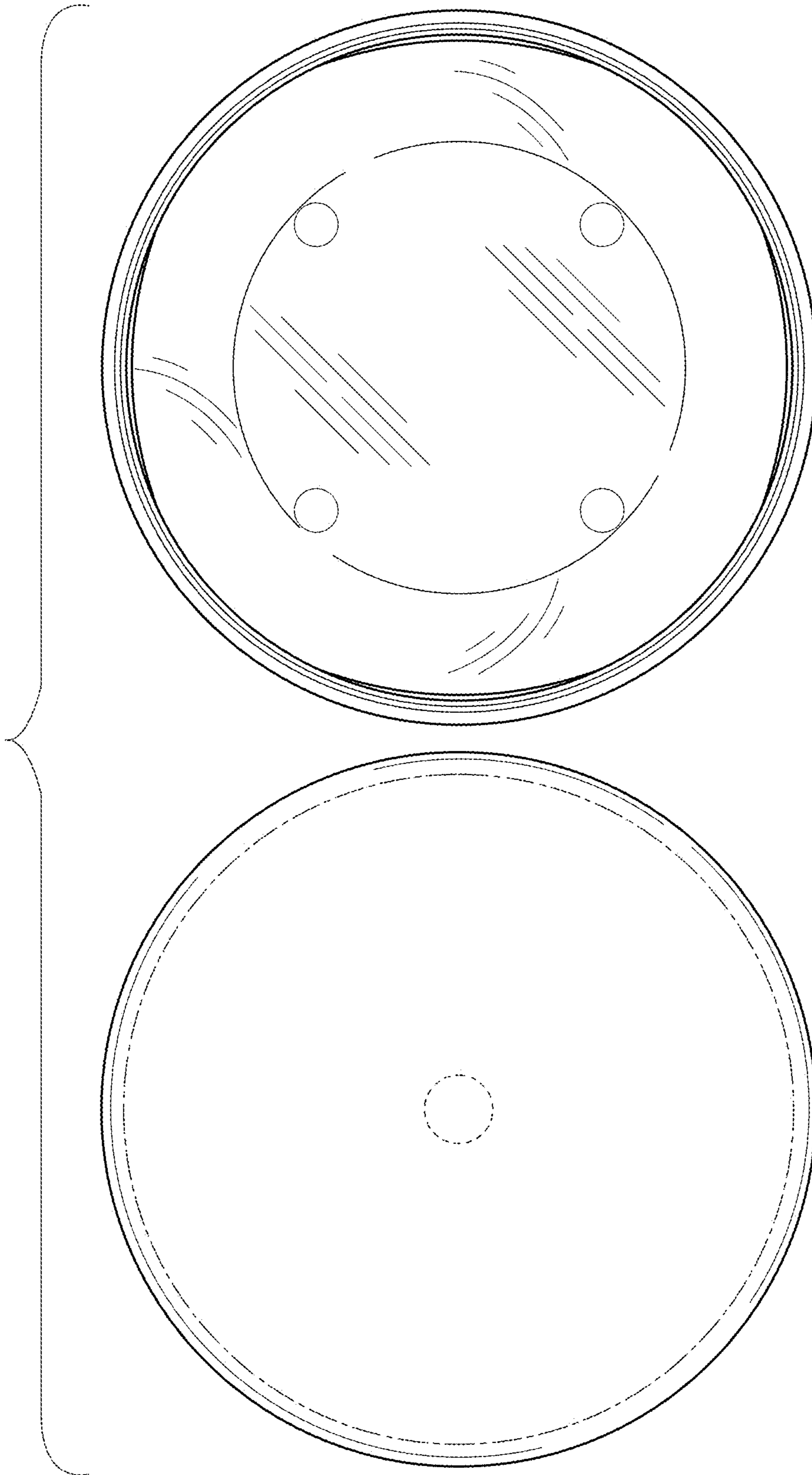


FIG. 14

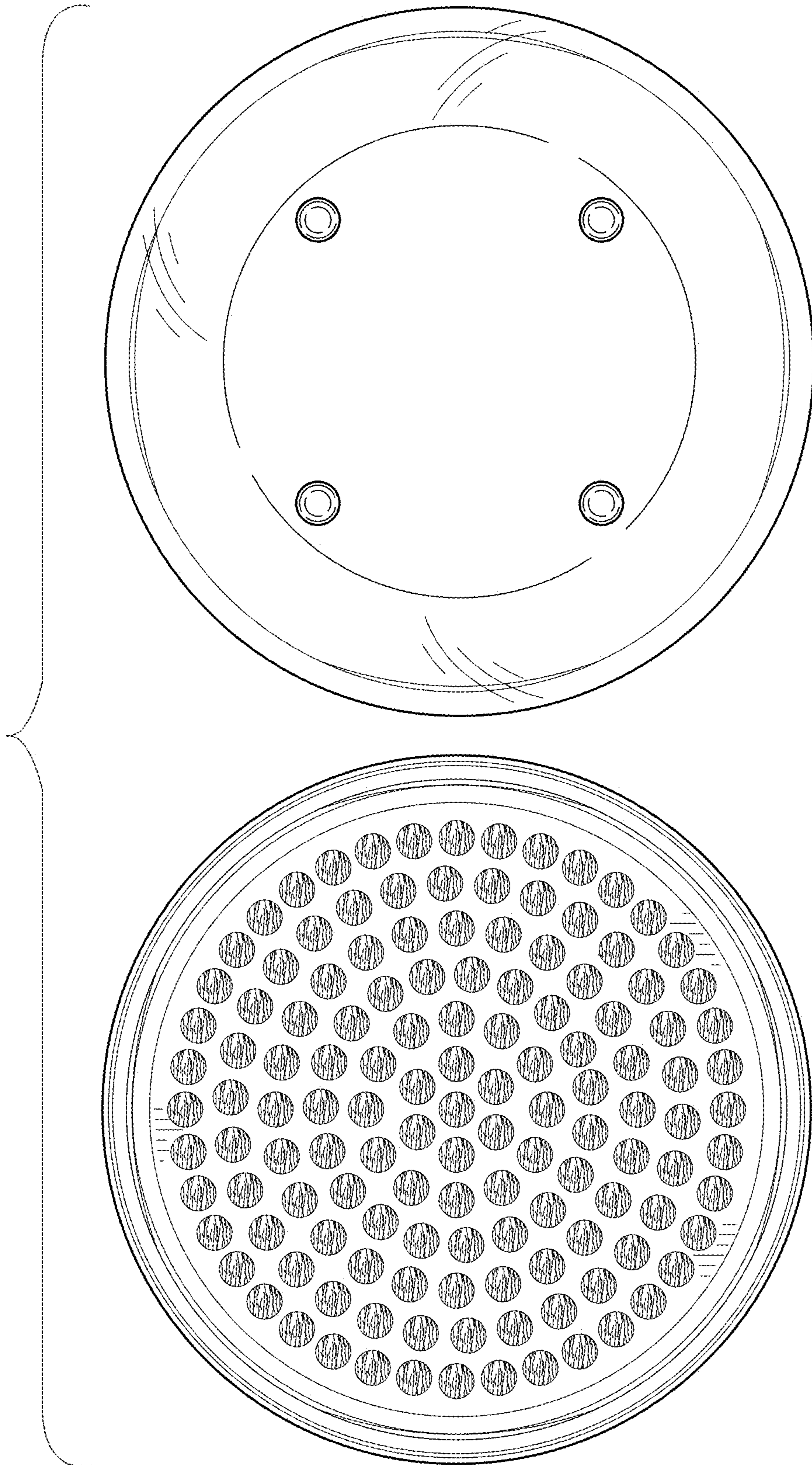


FIG. 15