



US00D933966S

(12) **United States Design Patent** (10) **Patent No.:** **US D933,966 S**
Brönner (45) **Date of Patent:** **** Oct. 26, 2021**

(54) **TOOTHBRUSH**
 (71) Applicant: **swiss shine beauty AG**, Baar (CH)
 (72) Inventor: **Haleh Abivardi Brönner**, Zürich (CH)
 (**) Term: **15 Years**
 (21) Appl. No.: **35/509,501**
 (22) Filed: **Dec. 5, 2019**

(80) **Hague Agreement Data**

Int. Filing Date: **Dec. 5, 2019**
 Int. Reg. No.: **DM/208266**
 Int. Reg. Date: **Dec. 5, 2019**
 Int. Reg. Pub. Date: **May 29, 2020**

(51) **LOC (13) Cl.** **04-02**

(52) **U.S. Cl.**
USPC **D4/101**

(58) **Field of Classification Search**
USPC D4/100, 101, 102, 104, 106, 108;
D24/111; D28/24

CPC A61C 17/3418; A61C 17/0202; A61C
17/032; A61C 17/222; A46B 9/04; A46B
5/0095

See application file for complete search history.

(56) **References Cited**

U.S. PATENT DOCUMENTS

D133,542 S * 8/1942 Kells D4/108
 D336,567 S * 6/1993 Glover D4/108
 D364,274 S * 11/1995 Vasquez D4/108
 D441,196 S * 5/2001 Collins D4/108
 D514,327 S * 2/2006 Taylor D4/108
 D538,044 S * 3/2007 Rehkemper D4/108
 D556,454 S * 12/2007 Wong D4/108
 7,555,802 B2 * 7/2009 Bohannon A46B 5/0095
 15/111
 D627,566 S * 11/2010 Smith D4/108

D742,649 S * 11/2015 Thompson D4/104
 D778,061 S * 2/2017 Fretwell D4/108
 D819,974 S * 6/2018 Johansson D4/101
 D840,022 S * 2/2019 Porter D24/111
 D840,690 S * 2/2019 Sedic D4/101
 D858,106 S * 9/2019 Sohn D4/102
 D870,268 S * 12/2019 Massie D24/111
 D882,269 S * 4/2020 Senko D4/101
 D882,270 S * 4/2020 Bloch D4/101
 D893,196 S * 8/2020 Zhao D4/101
 D898,364 S * 10/2020 Koskinen D4/101
 D911,713 S * 3/2021 Okai D4/101
 D919,885 S * 5/2021 Liang D28/24

* cited by examiner

Primary Examiner — Rhea Shields

(57) **CLAIM**

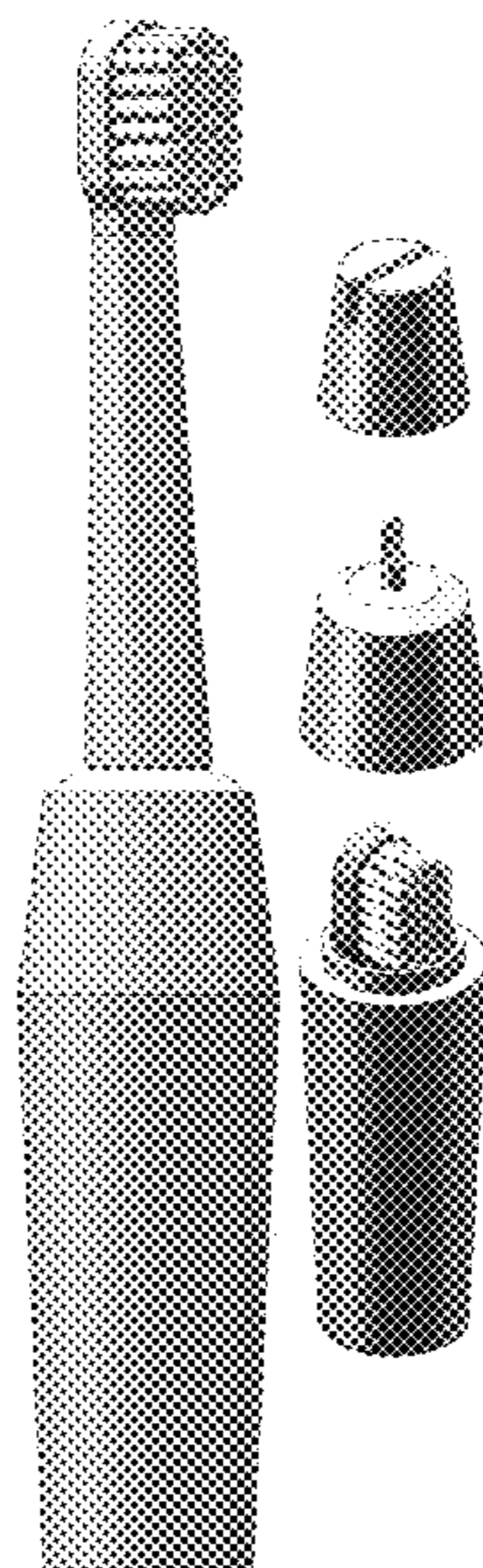
I claim the ornamental design for a toothbrush, as shown and described.

DESCRIPTION

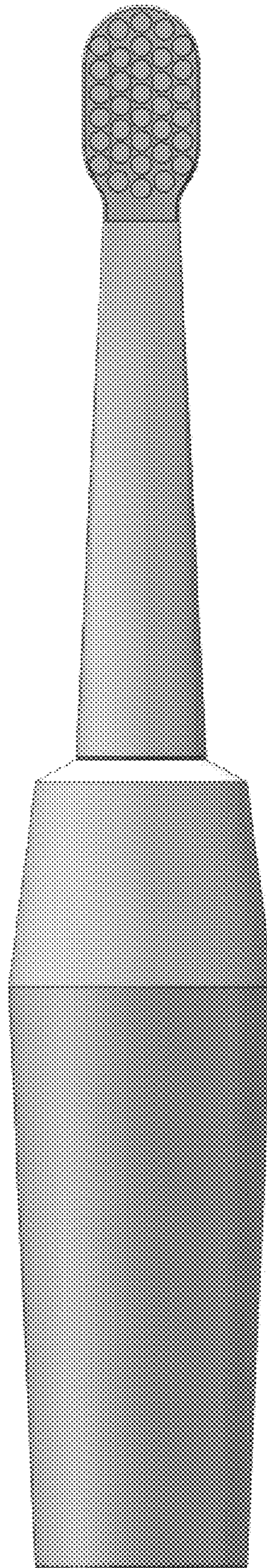
The patent or application file contains at least one drawing executed in color. Copies of this patent or patent application publication with color drawing(s) will be provided by the Office upon request and payment of the necessary fee.

- 1.1 is an assembled front view;
- 1.2 is a side view;
- 1.3 is a rear view;
- 1.4 is a side view;
- 1.5 is a front side perspective view;
- 1.6 is a top view and
- 1.7 is a bottom view.
- 2.1 is an exploded front side perspective front view; and
- 2.2 is another exploded front side perspective view.
- 3.1 is an exploded front side perspective front view; and
- 3.2 is another exploded front side perspective view.
- 4.1 is an assembled front side perspective view, showing the toothbrush in a retracted position.

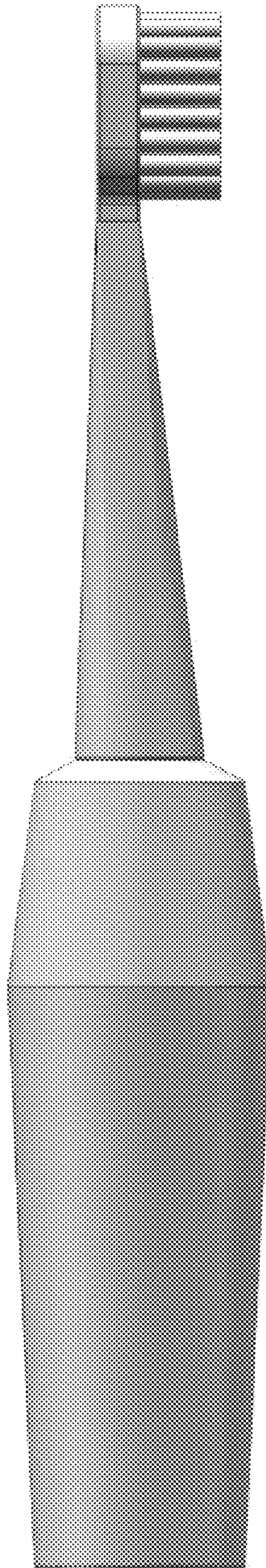
1 Claim, 12 Drawing Sheets
(12 of 12 Drawing Sheet(s) Filed in Color)



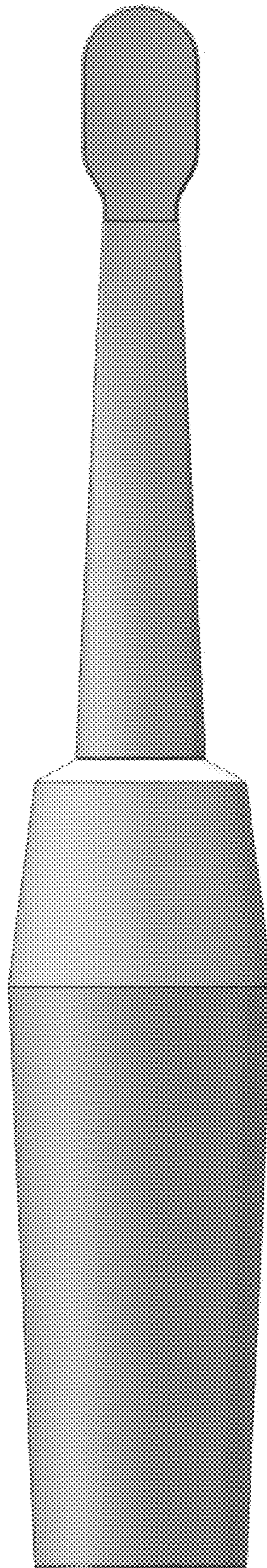
1.1



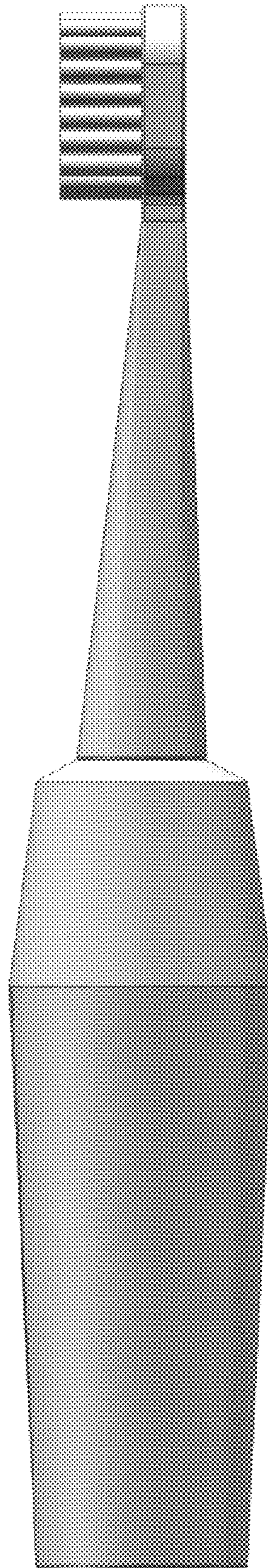
1.2



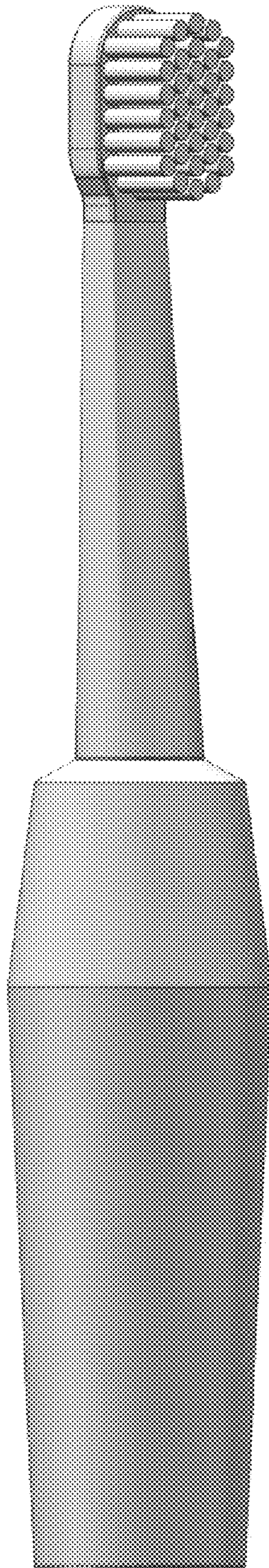
1.3



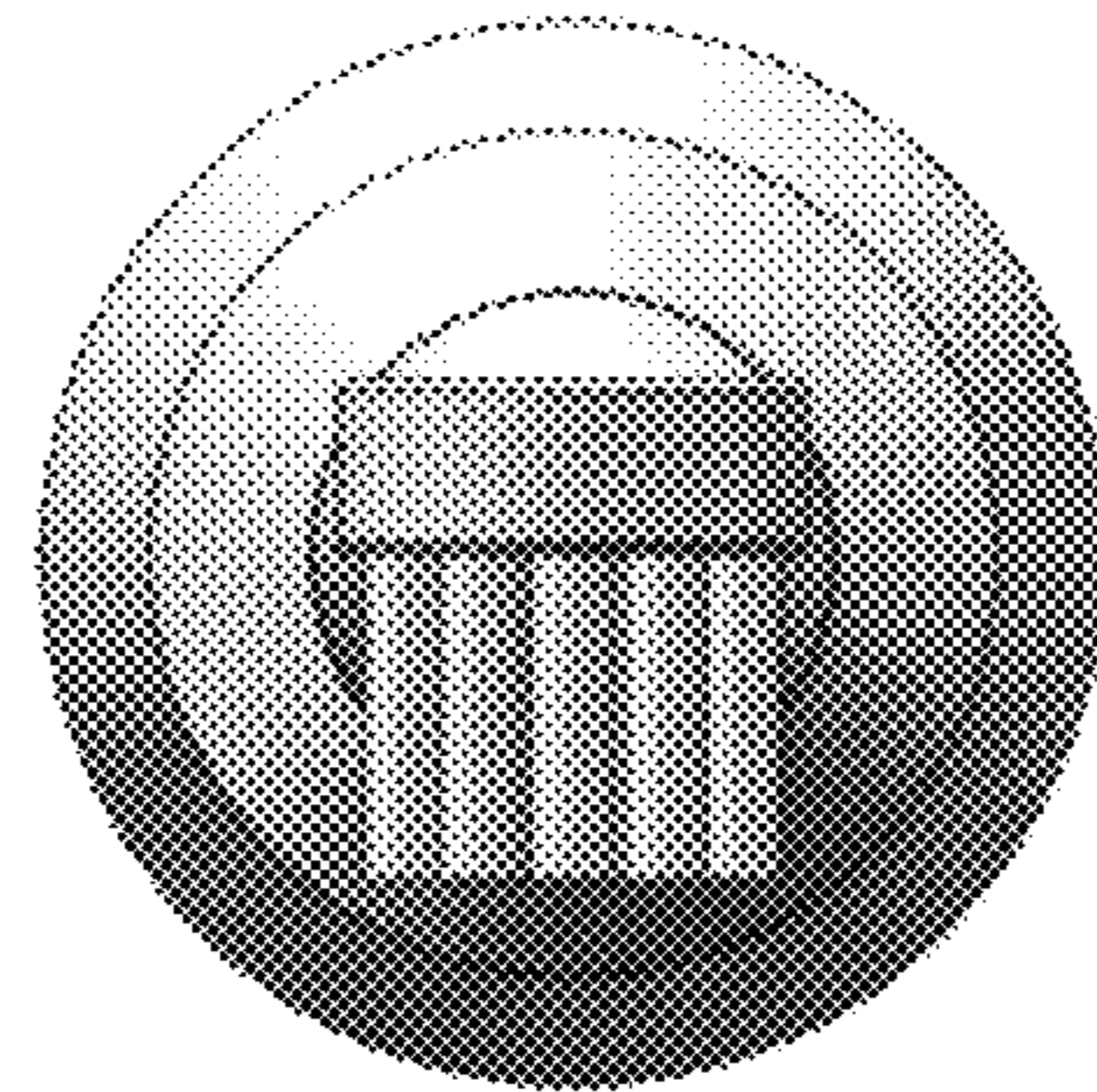
1.4



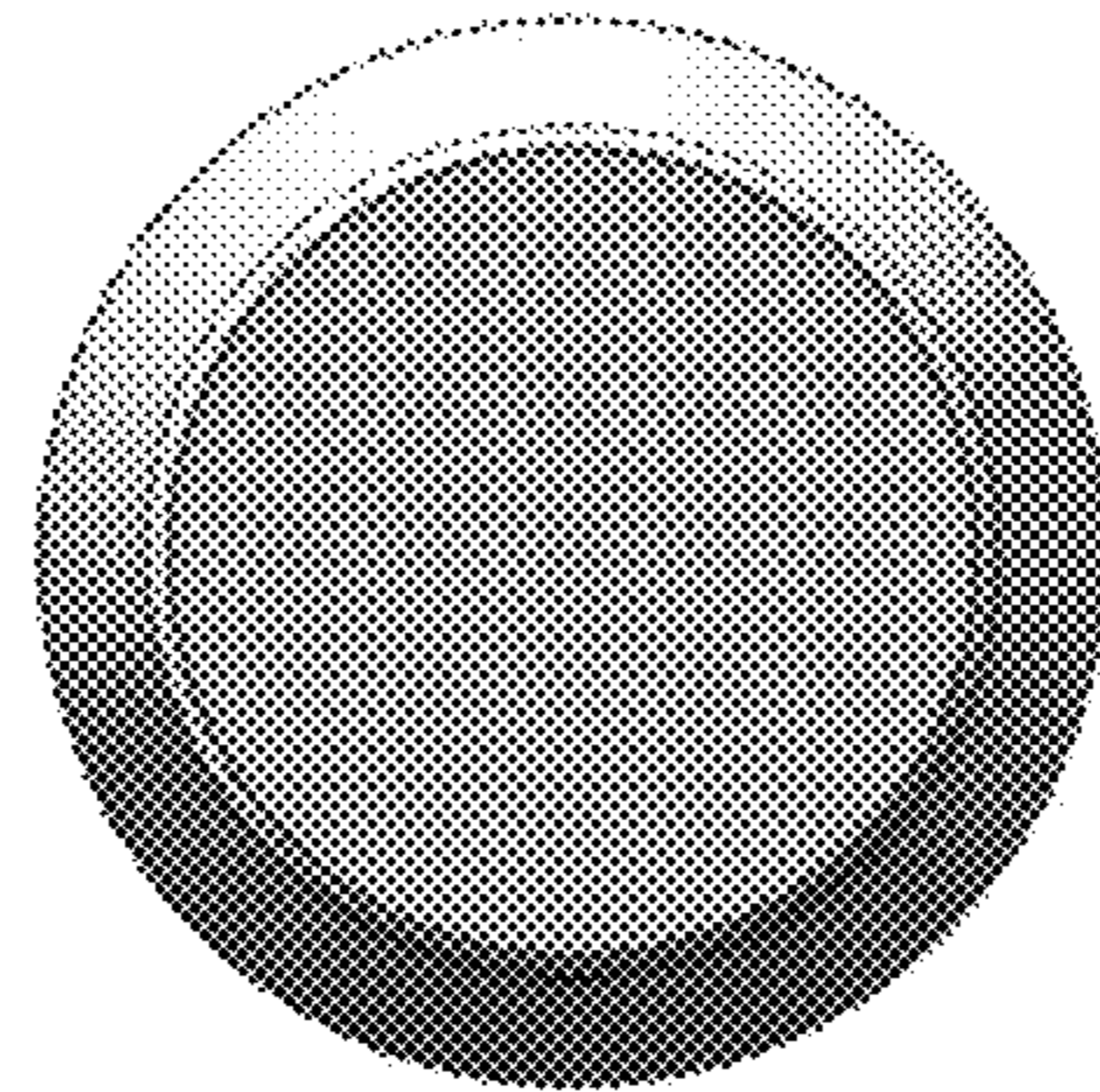
1.5



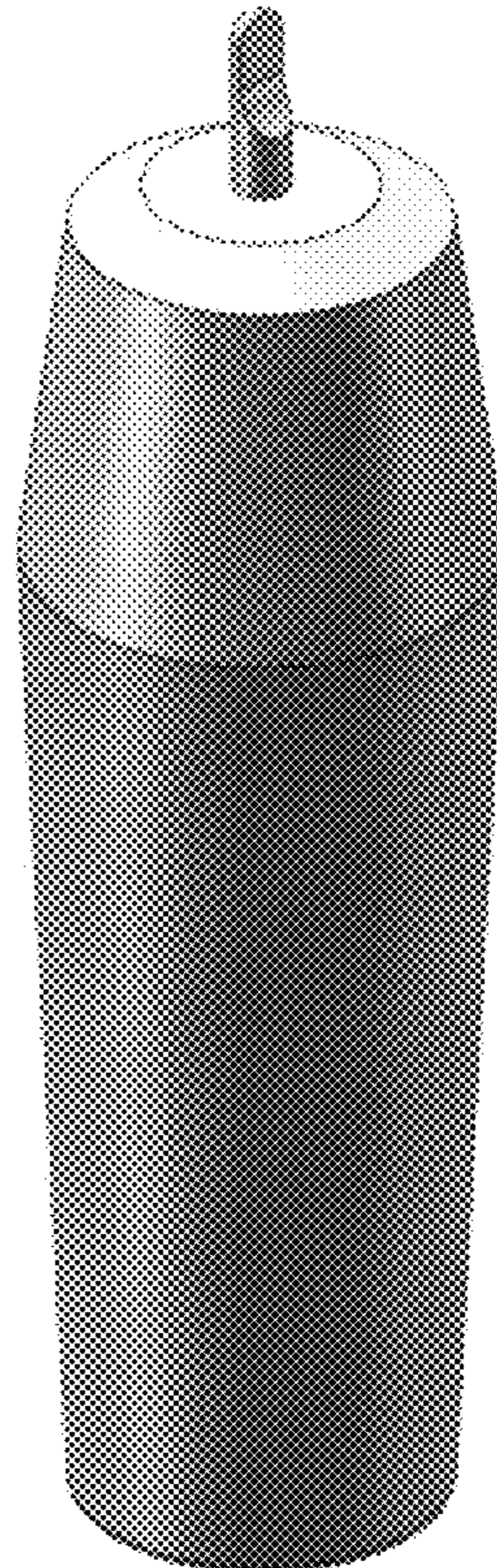
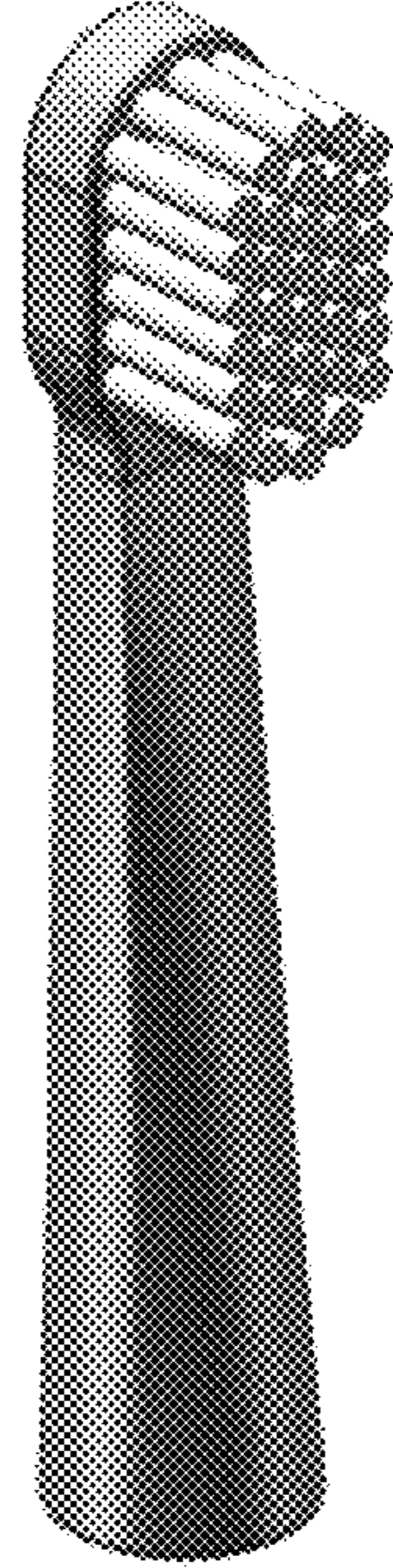
1.6



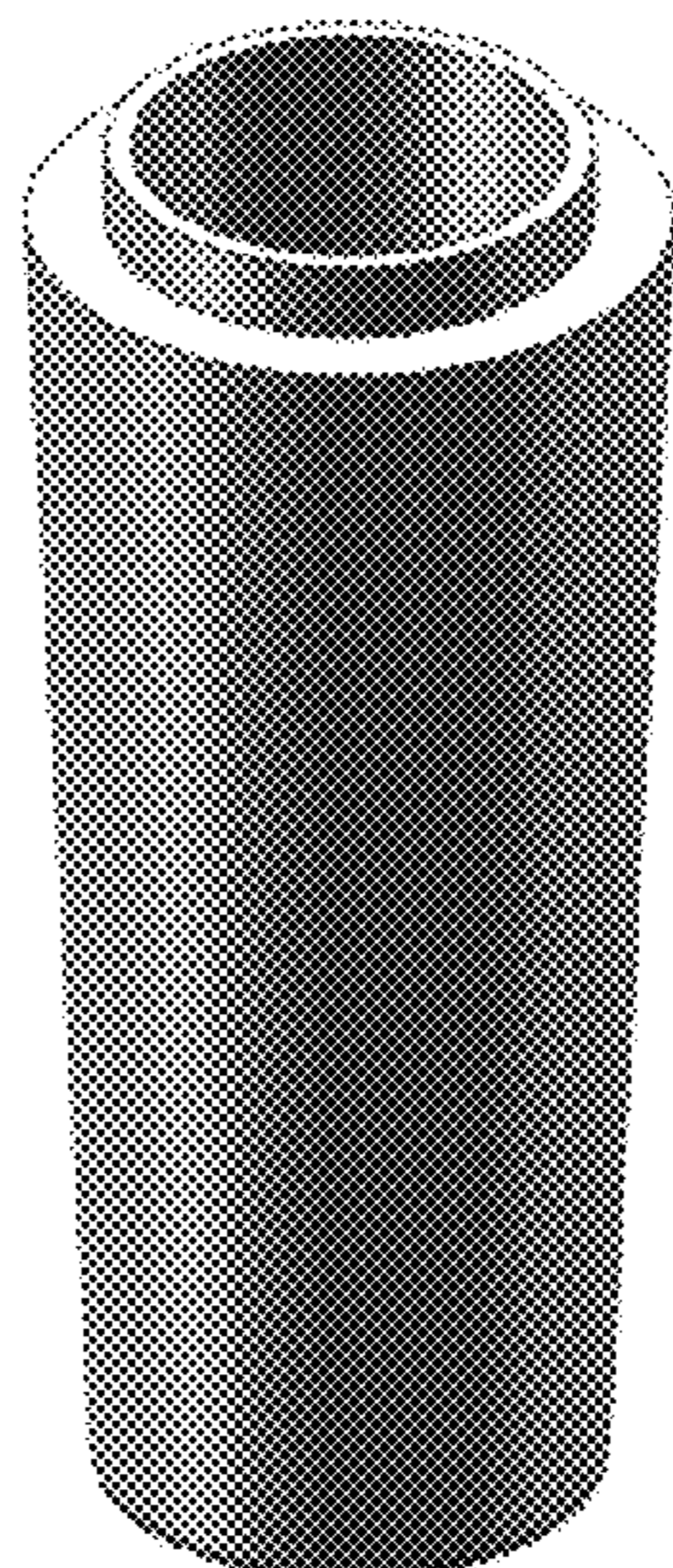
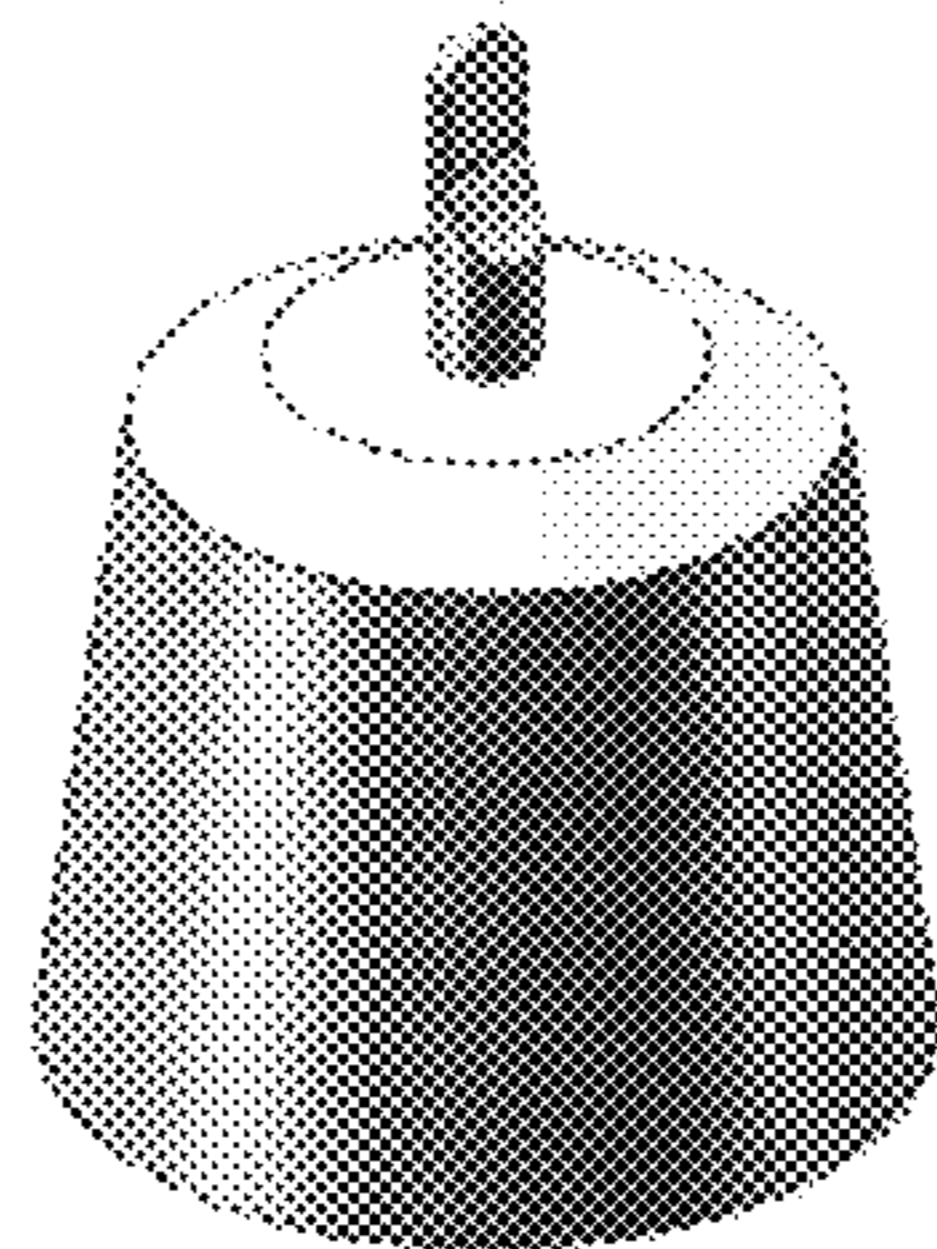
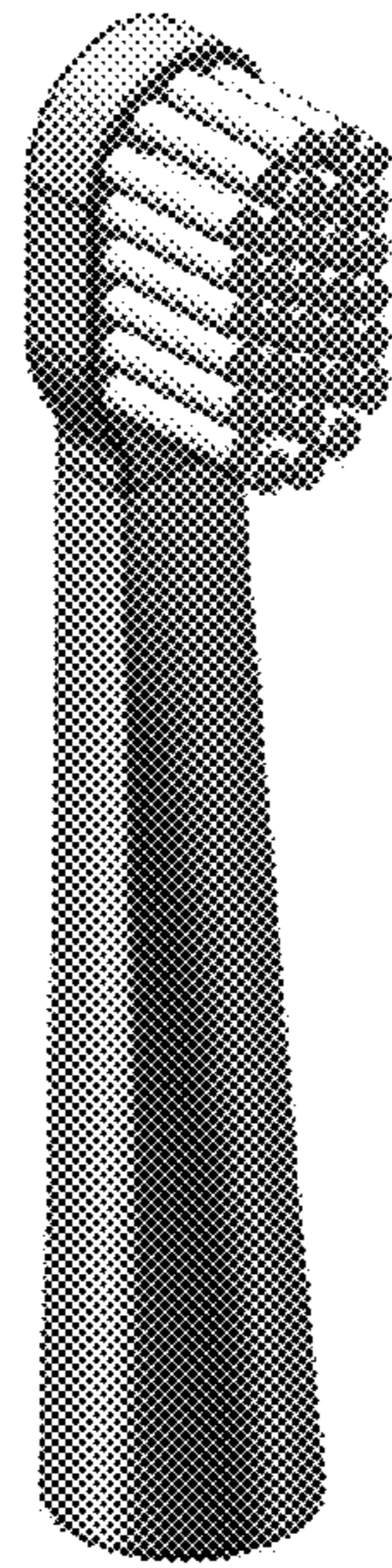
1.7



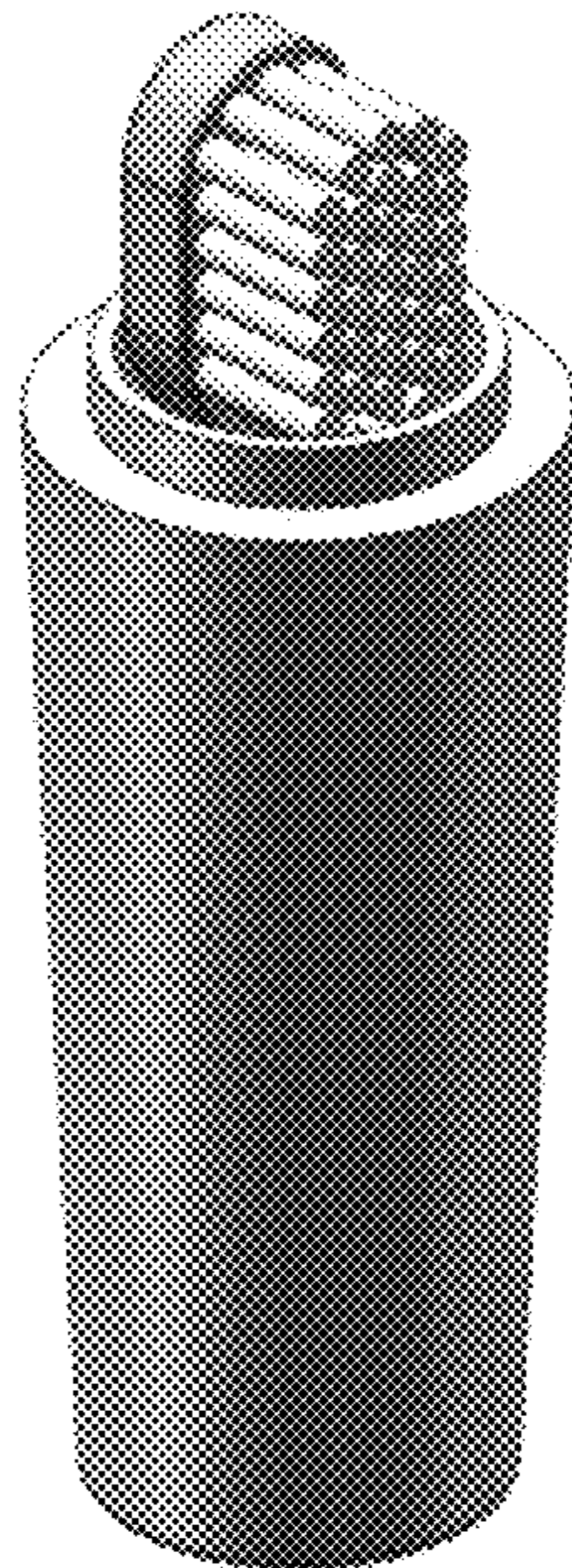
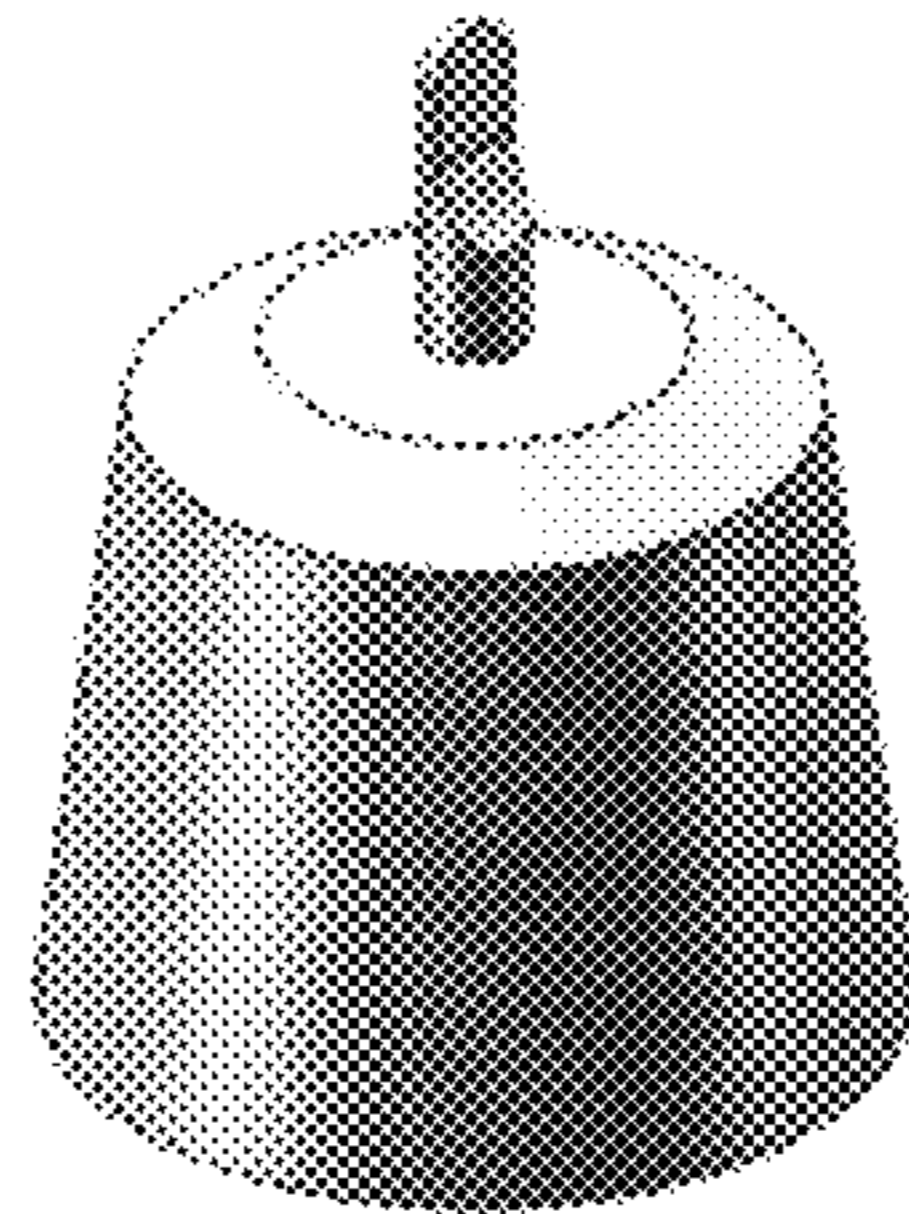
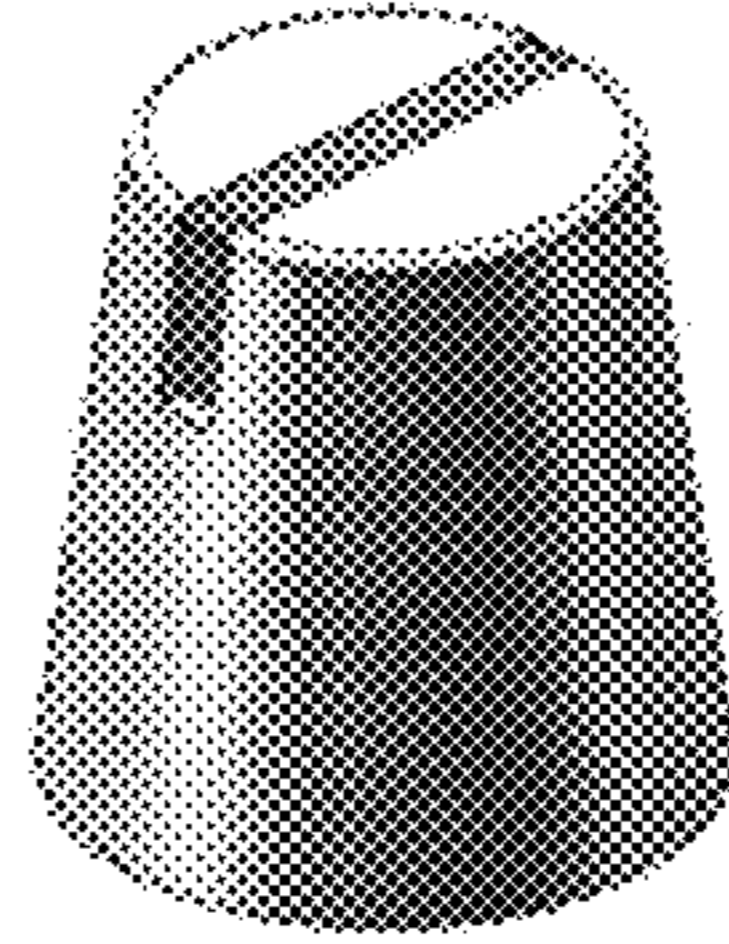
2.1



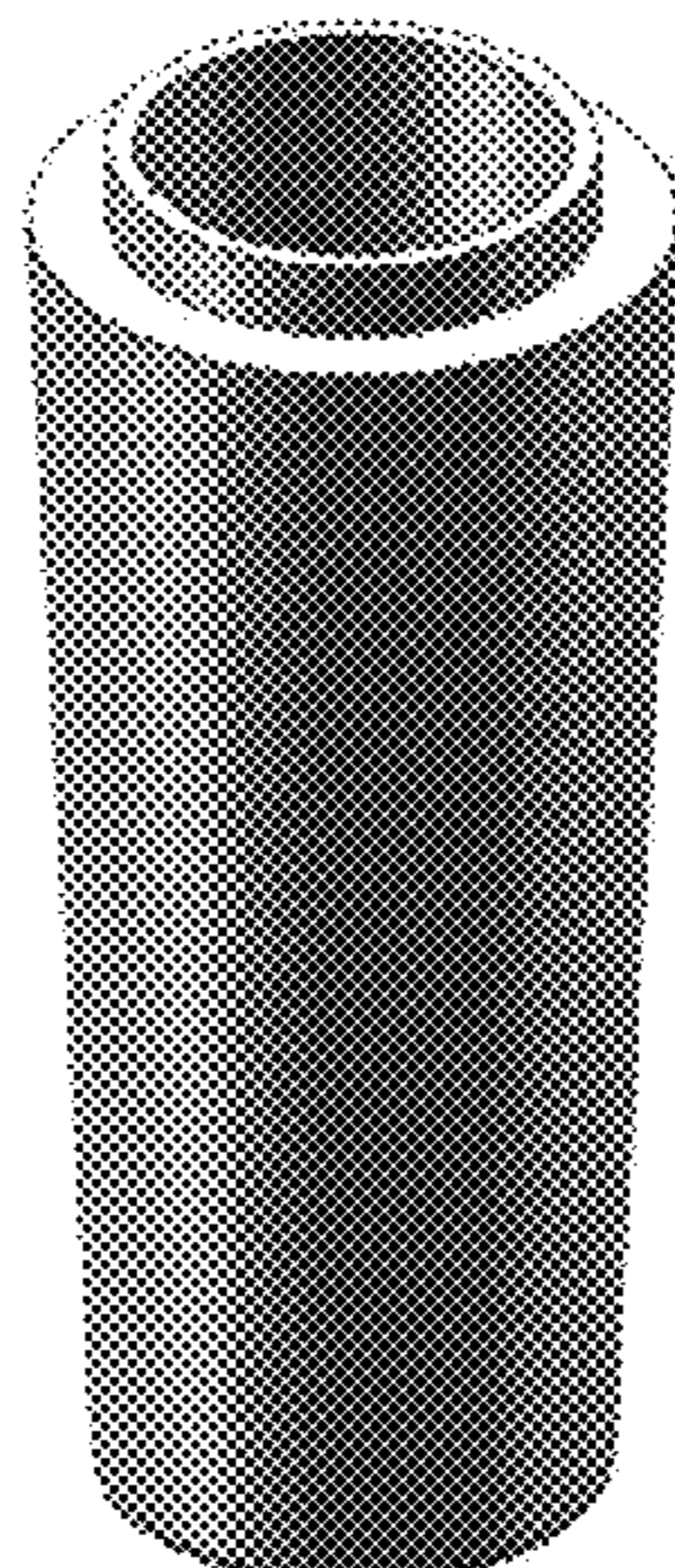
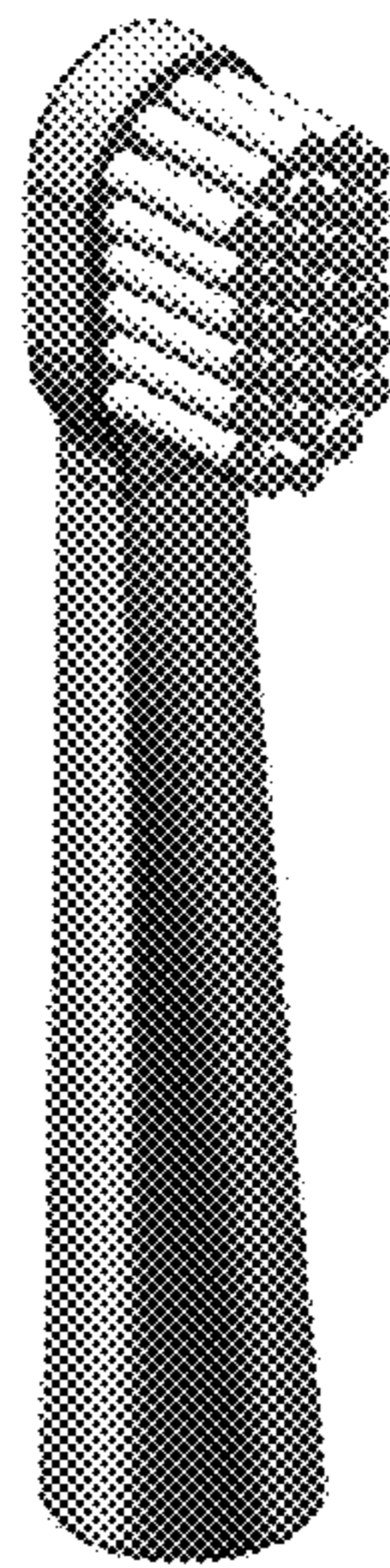
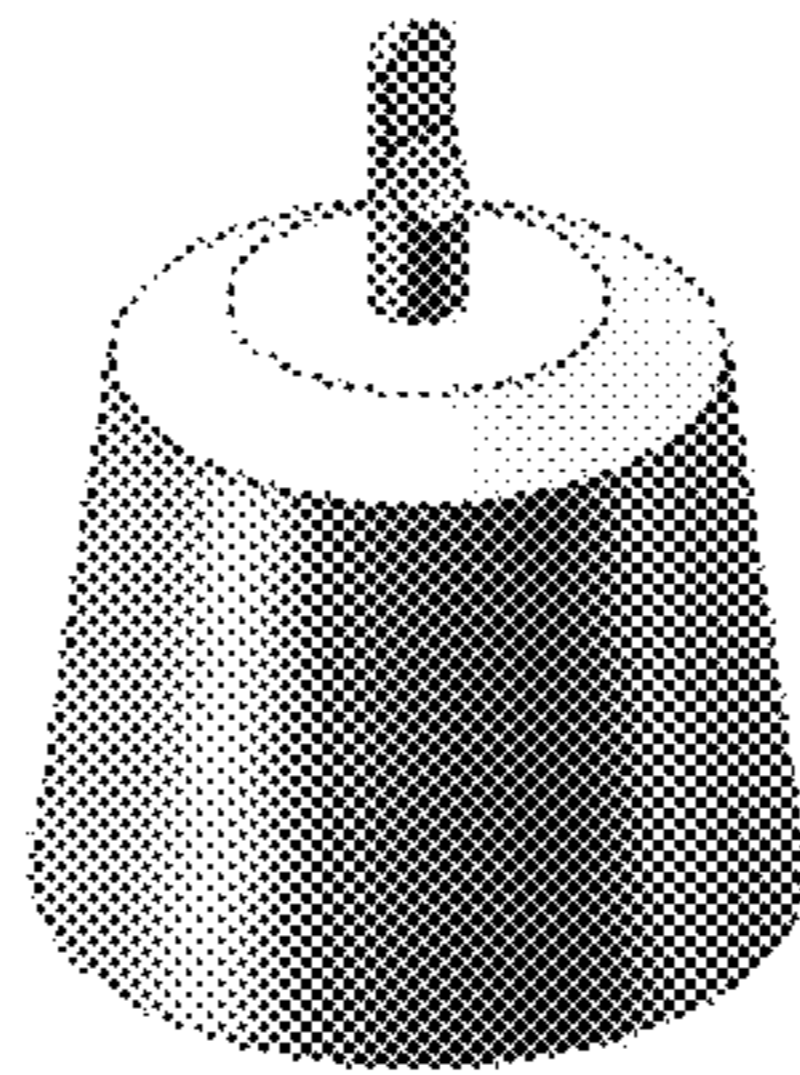
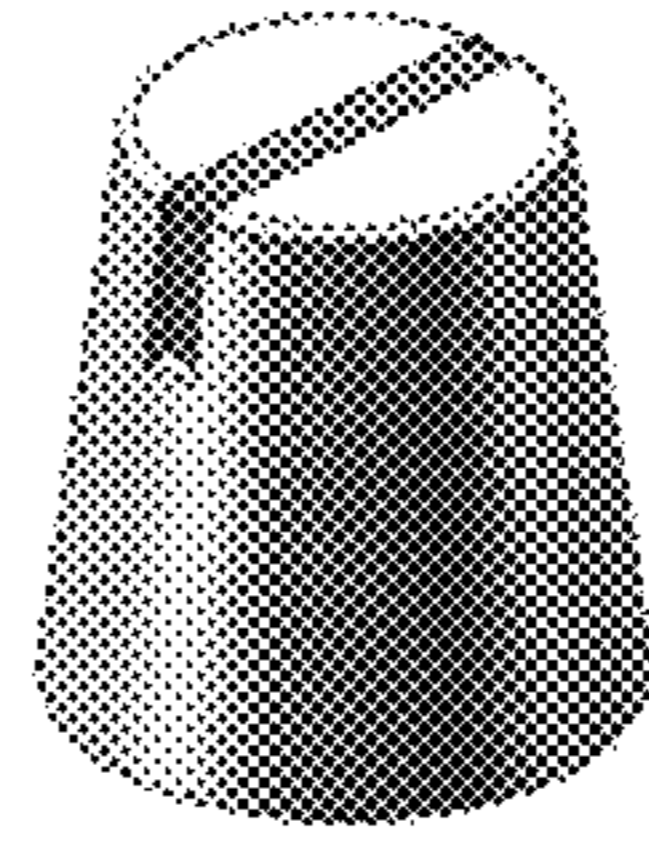
2.2



3.1



3.2



4.1

