



US00D933965S

(12) **United States Design Patent** (10) **Patent No.:** **US D933,965 S**
Tang (45) **Date of Patent:** **** Oct. 26, 2021**

- (54) **TOOTHBRUSH HEAD**
- (71) Applicant: **Guocheng Tang**, Qingyuan (CN)
- (72) Inventor: **Guocheng Tang**, Qingyuan (CN)
- (**) Term: **15 Years**
- (21) Appl. No.: **29/766,196**
- (22) Filed: **Jan. 14, 2021**
- (51) **LOC (13) Cl.** **04-02**
- (52) **U.S. Cl.**
USPC **D4/101**
- (58) **Field of Classification Search**
USPC D4/100–102
CPC A46B 9/04; A61N 1/322; A61C 17/222
See application file for complete search history.

(56) **References Cited**

U.S. PATENT DOCUMENTS

| | | | | | | |
|------------|----|---|---------|-------------|-------|-------------|
| D297,784 | S | * | 9/1988 | Moret | | 15/176.6 |
| D652,626 | S | * | 1/2012 | Gebski | | D4/101 |
| D653,035 | S | * | 1/2012 | Gebski | | D4/101 |
| D657,565 | S | * | 4/2012 | Gebski | | D4/101 |
| D669,687 | S | * | 10/2012 | Heil | | D4/101 |
| D715,057 | S | * | 10/2014 | Adriaenssen | | D4/101 |
| D759,383 | S | * | 6/2016 | Watkins | | D4/101 |
| 9,724,180 | B1 | * | 8/2017 | Liu | | A61C 17/222 |
| D805,306 | S | * | 12/2017 | Massee | | D4/101 |
| 10,470,858 | B2 | * | 11/2019 | Liu | | A46B 9/04 |
| D885,060 | S | | 5/2020 | Orkin | | |
| D887,145 | S | * | 6/2020 | Hu | | D4/101 |
| D891,114 | S | | 7/2020 | Kuang | | |

| | | | | | | |
|--------------|----|---|--------|-----------|-------|------------|
| D891,116 | S | * | 7/2020 | Feng | | D4/101 |
| D895,977 | S | | 9/2020 | Kuang | | |
| D919,301 | S | * | 5/2021 | Zhao | | D4/101 |
| 2017/0143957 | A1 | * | 5/2017 | Johansson | | A61N 1/322 |

OTHER PUBLICATIONS

“Diamond Clean . . .” reference dated Aug. 27, 2021 found on the internet by RMS at: https://szbaolijie.en.alibaba.com/product/60747059647-807156051/Diamond_clean_electric_toothbrush_heads_for_phili_sonic_electric_toothbrush_heads.html?spm=a2700.shop_plgr.41413.11.3fe8aedaUiLOxK.*

* cited by examiner

Primary Examiner — Rhea Shields

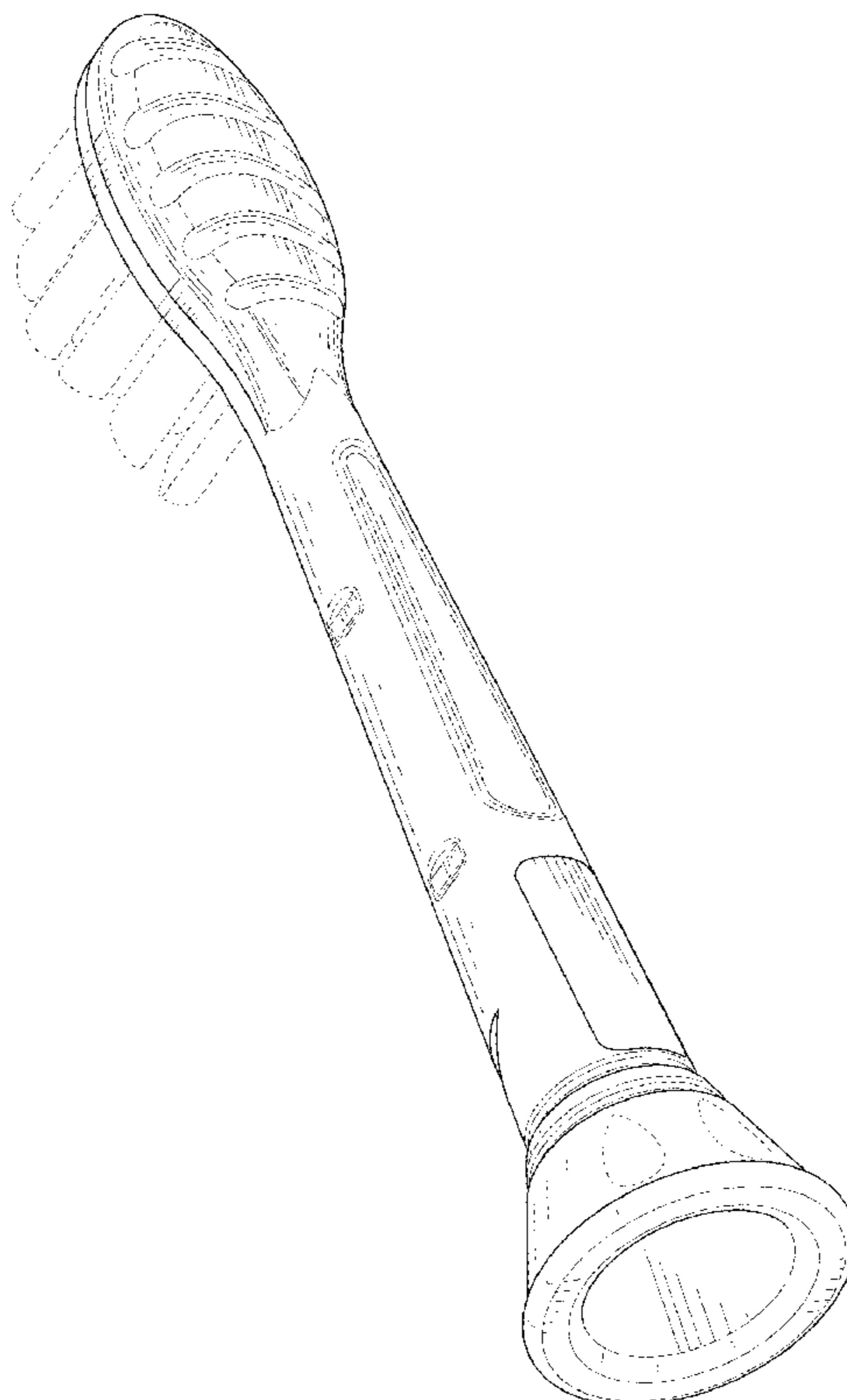
(57) **CLAIM**

The ornamental design for a toothbrush head, as shown and described.

DESCRIPTION

FIG. 1 is a first perspective view of a toothbrush head showing my new design;
FIG. 2 is a second perspective view thereof;
FIG. 3 is a front view thereof;
FIG. 4 is a back view thereof;
FIG. 5 is a left side view thereof;
FIG. 6 is a right side view thereof;
FIG. 7 is a top view thereof; and,
FIG. 8 is a bottom view thereof.
The broken lines shown in the drawings depict portions of the toothbrush head in which the design is embodied that form no part of the claimed design.

1 Claim, 8 Drawing Sheets



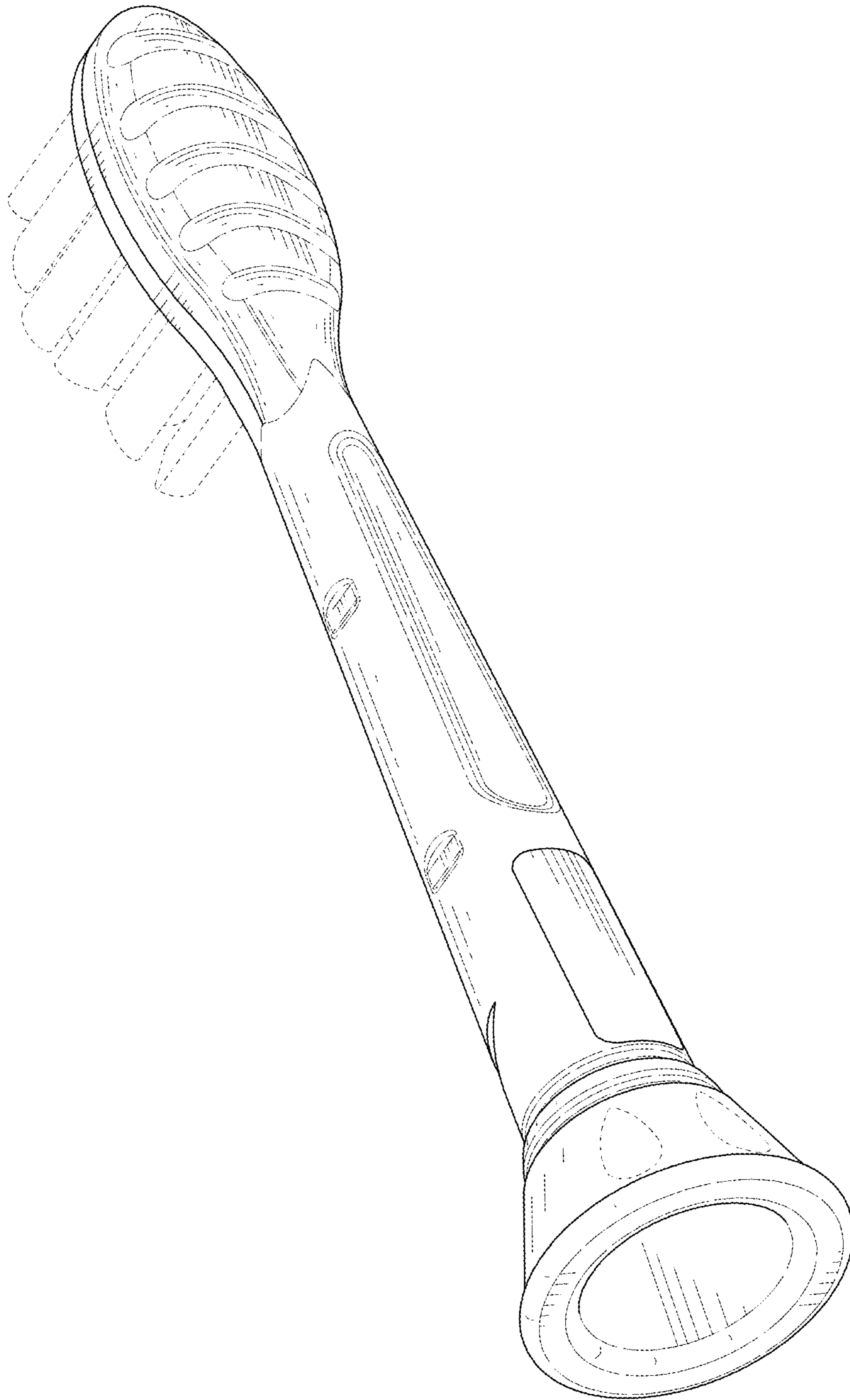


FIG. 1

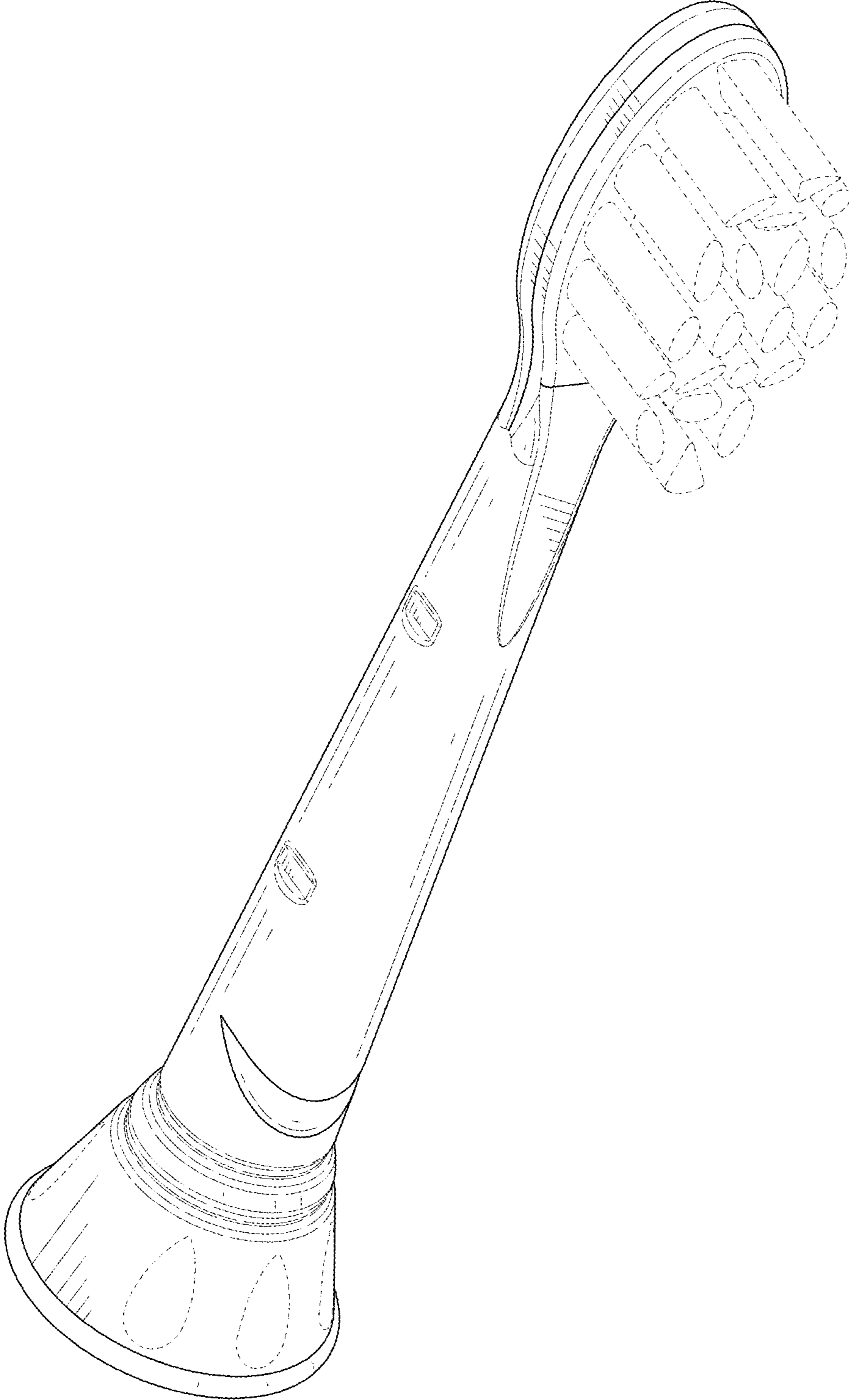


FIG. 2

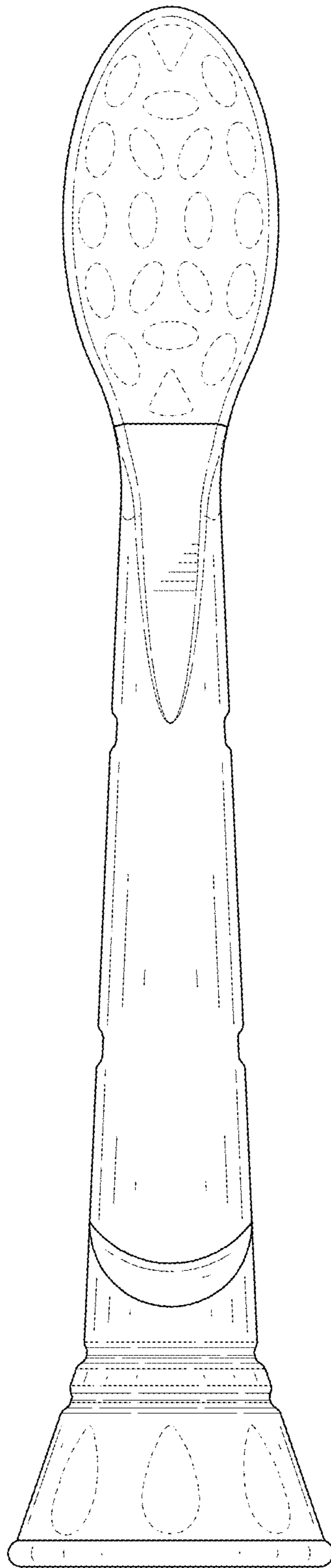


FIG. 3

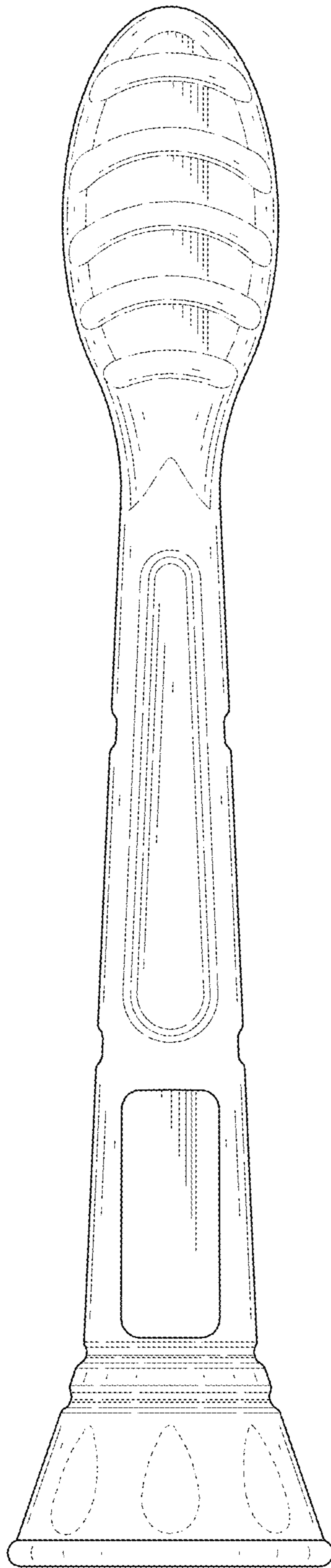


FIG. 4

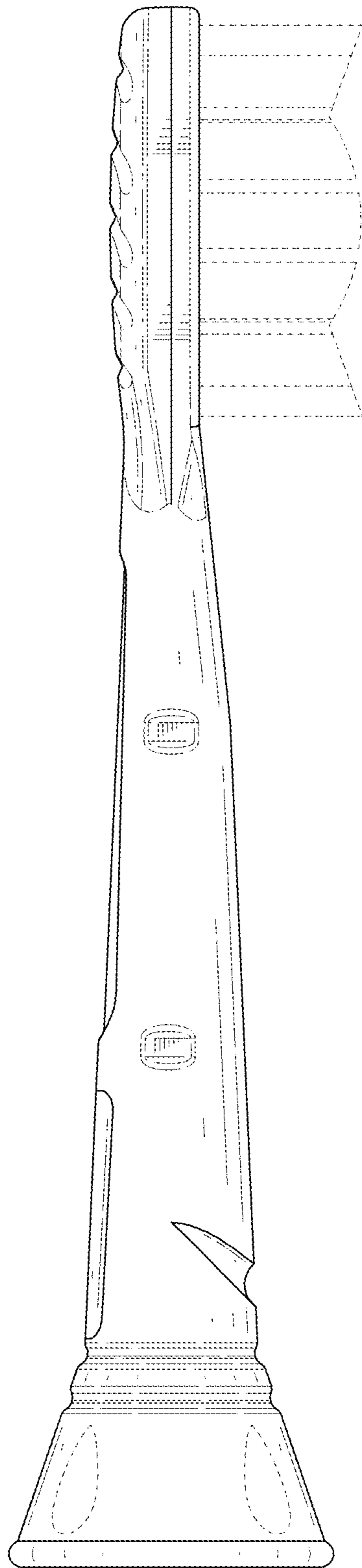


FIG. 5

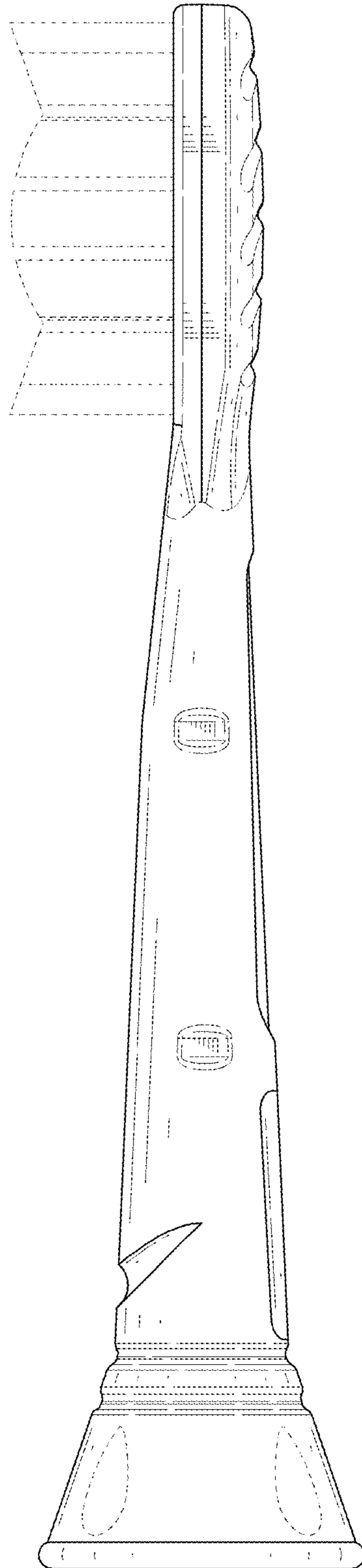


FIG. 6

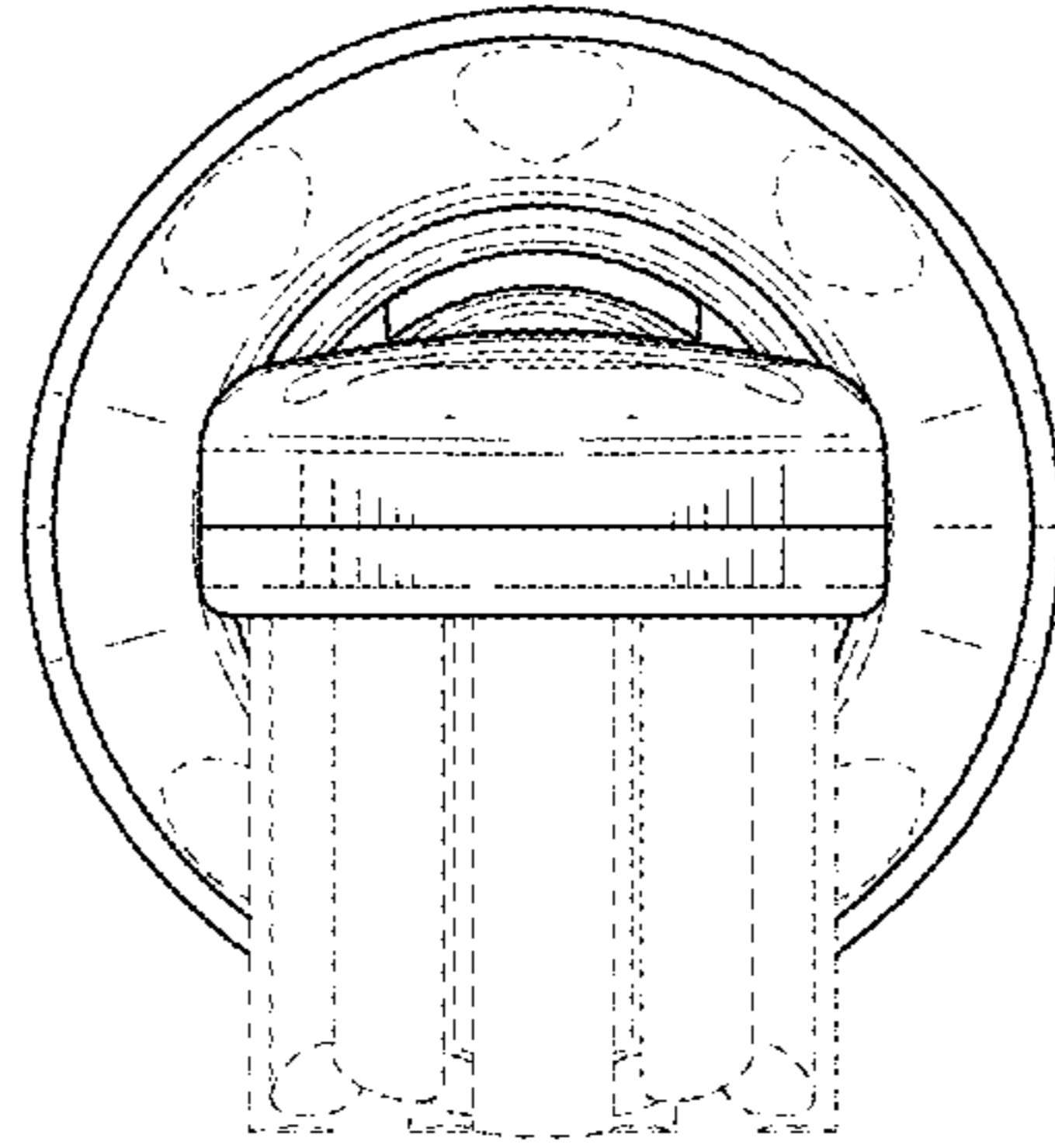


FIG. 7

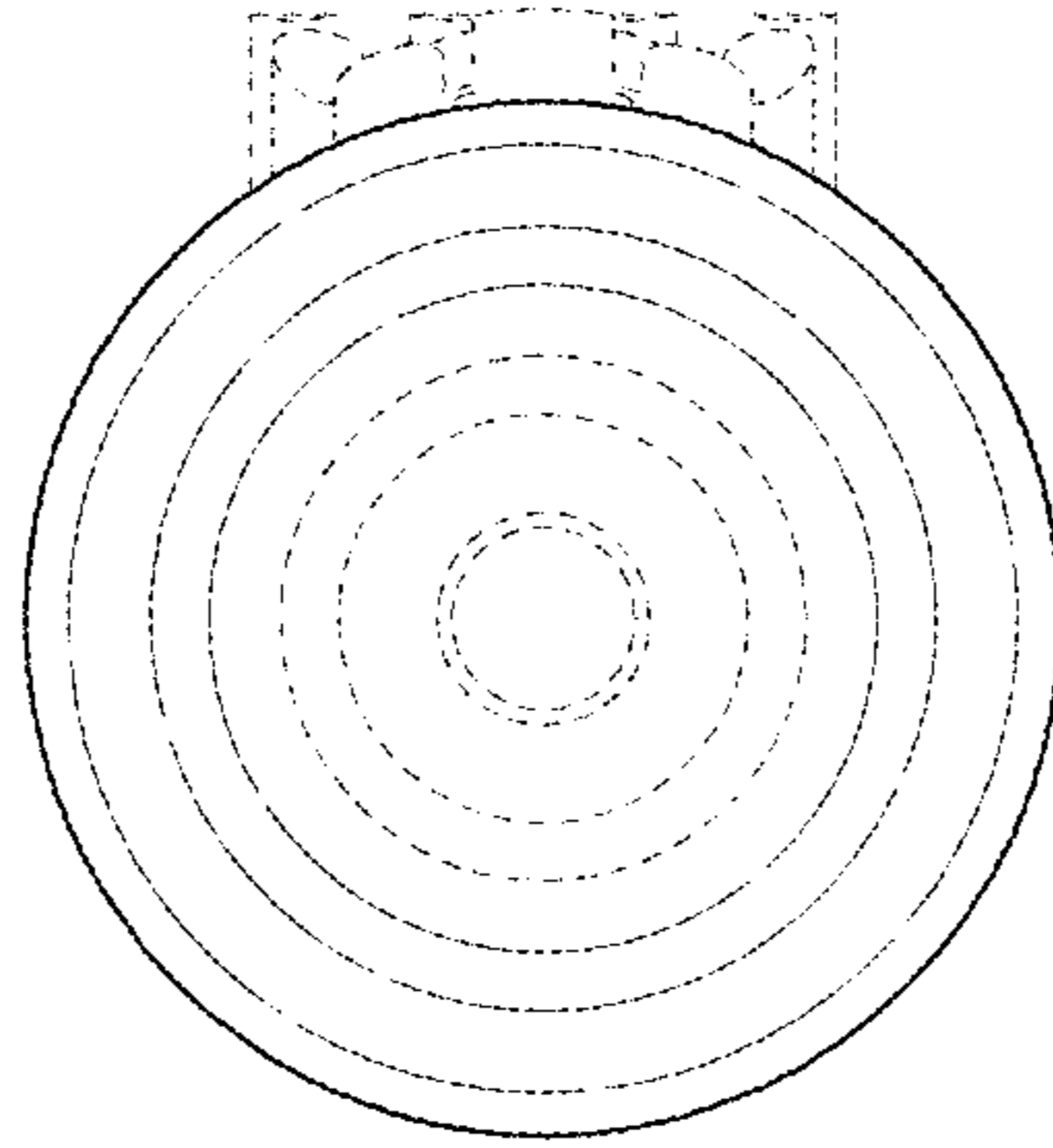


FIG. 8