



US00D933964S

(12) **United States Design Patent** (10) **Patent No.:** **US D933,964 S**  
**He** (45) **Date of Patent:** **\*\* Oct. 26, 2021**

(54) **ELECTRIC TOOTHBRUSH HEAD**  
(71) Applicant: **SHENZHEN BAOLIJIE TECHNOLOGY CO., LTD.**, Shenzhen (CN)  
(72) Inventor: **Mingfeng He**, Maoming (CN)  
(73) Assignee: **Shenzhen Baolijie Technology Co., Ltd.**, Shenzhen (CN)  
(\*\*) Term: **15 Years**  
(21) Appl. No.: **29/707,098**  
(22) Filed: **Sep. 26, 2019**  
(30) **Foreign Application Priority Data**

Aug. 21, 2019 (CN) ..... 201930455913.6  
(51) **LOC (13) Cl.** ..... **04-02**  
(52) **U.S. Cl.**  
USPC ..... **D4/101**  
(58) **Field of Classification Search**  
USPC ..... D4/100-113, 127, 128, 136, 137, 138,  
D4/199; D24/152, 176  
CPC ..... A46B 2200/1066; A46B 5/02; A46B 9/04;  
A46B 15/0071; A61C 17/16; A61C  
17/221; A61C 17/222  
See application file for complete search history.

(56) **References Cited**  
U.S. PATENT DOCUMENTS  
D402,116 S \* 12/1998 Magloff ..... D4/104  
D402,117 S \* 12/1998 Fleming ..... D4/104  
D403,510 S \* 1/1999 Menke ..... D4/104  
D434,906 S \* 12/2000 Beals ..... D4/104  
D444,629 S \* 7/2001 Etter ..... D4/104  
D448,171 S \* 9/2001 Harris ..... D4/104  
D448,172 S \* 9/2001 Harris ..... D4/104  
D448,173 S \* 9/2001 Harris ..... D4/104

6,553,604 B1 \* 4/2003 Braun ..... A46B 9/04  
15/167.1  
D611,712 S \* 3/2010 Stoerkel ..... D4/104  
D652,626 S \* 1/2012 Gebski ..... D4/101  
D657,565 S \* 4/2012 Gebski ..... D4/101  
8,332,982 B2 \* 12/2012 Braun ..... A61C 17/3481  
15/22.1  
D688,045 S \* 8/2013 Key ..... D4/101  
D715,057 S \* 10/2014 Adriaenssen ..... D4/101  
D747,609 S \* 1/2016 Watkins ..... D4/101  
D759,380 S \* 6/2016 Watkins ..... D4/101  
D759,383 S \* 6/2016 Watkins ..... D4/101  
D775,835 S \* 1/2017 Yoshida ..... D4/101  
D799,835 S \* 10/2017 Okai ..... D4/101  
D853,732 S \* 7/2019 Wainless ..... D4/104  
D873,568 S \* 1/2020 Hielscher ..... D4/101  
(Continued)

**FOREIGN PATENT DOCUMENTS**

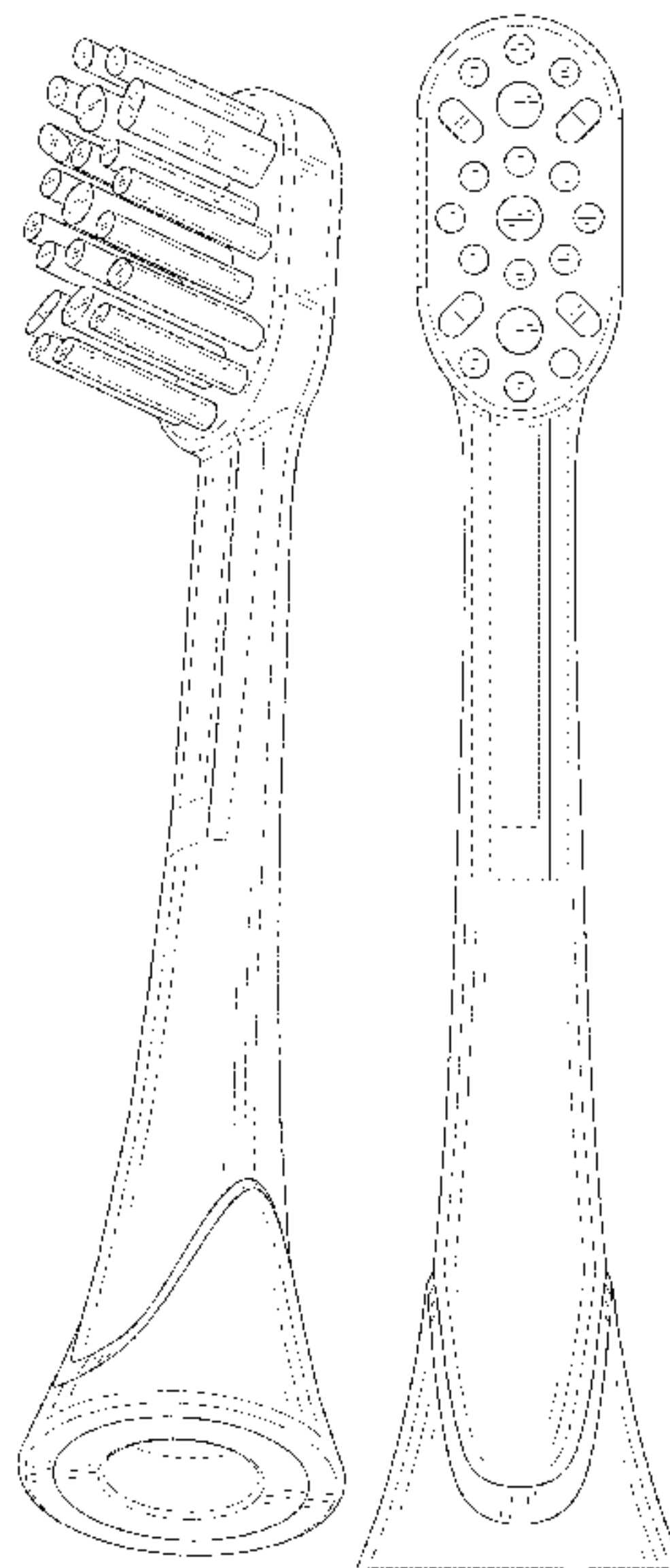
CN 306135653 \* 10/2020  
*Primary Examiner* — Rebekah A Caruso  
(74) *Attorney, Agent, or Firm* — Westbridge IP LLC

(57) **CLAIM**  
The ornamental design for an electric toothbrush head, as shown and described.

**DESCRIPTION**

FIG. 1 is a perspective view of an electric toothbrush head showing my new design;  
FIG. 2 is another perspective view thereof;  
FIG. 3 is a front elevational view thereof;  
FIG. 4 is a rear elevational view thereof;  
FIG. 5 is a left side elevational view thereof;  
FIG. 6 is a right side elevational view thereof;  
FIG. 7 is a top plan view thereof; and,  
FIG. 8 is a bottom plan view thereof.  
The broken lines in the drawings depict portions of the electric toothbrush head that form no part of the claimed design.

**1 Claim, 8 Drawing Sheets**



(56)

**References Cited**

U.S. PATENT DOCUMENTS

D887,145	S *	6/2020	Hu	.....	D4/101
D891,116	S *	7/2020	Feng	.....	D4/101
D895,296	S *	9/2020	Hu	.....	D4/101
D895,976	S *	9/2020	Li	.....	D4/104
D895,977	S *	9/2020	Kuang	.....	D4/104
D897,687	S *	10/2020	To	.....	D4/110
2009/0255077	A1 *	10/2009	Mori	.....	A46D 1/023 15/167.1
2019/0200743	A1 *	7/2019	Jungnickel	.....	A46B 5/026
2020/0305588	A1 *	10/2020	Jungnickel	.....	A46D 1/0238
2020/0315334	A1 *	10/2020	Meidl	.....	A46B 9/04
2020/0359779	A1 *	11/2020	Dengler	.....	A46D 3/005

\* cited by examiner

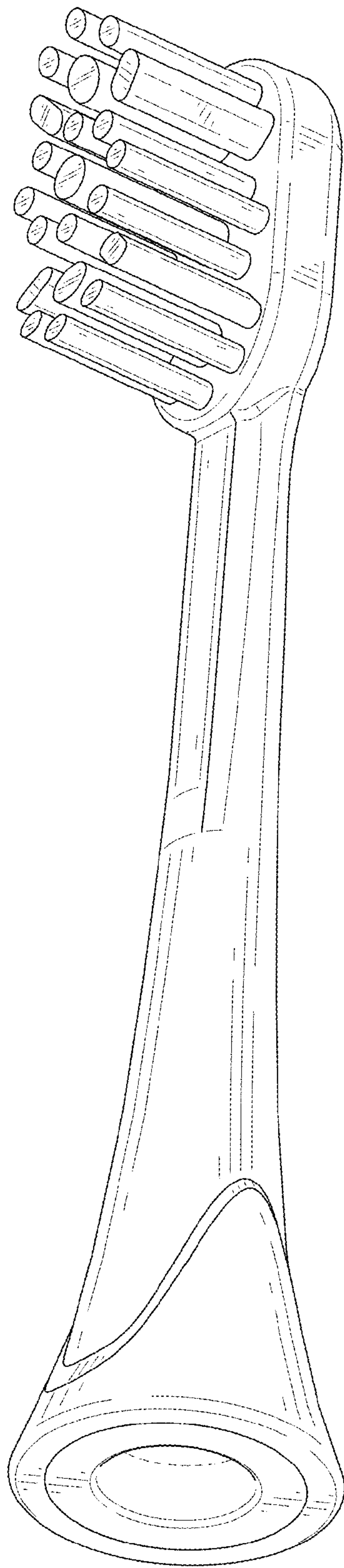


FIG. 1

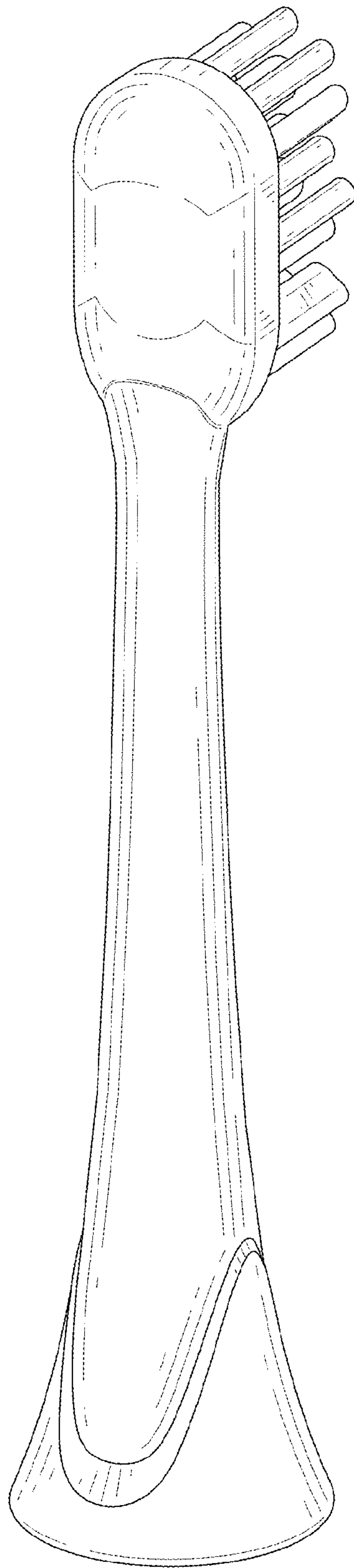


FIG. 2

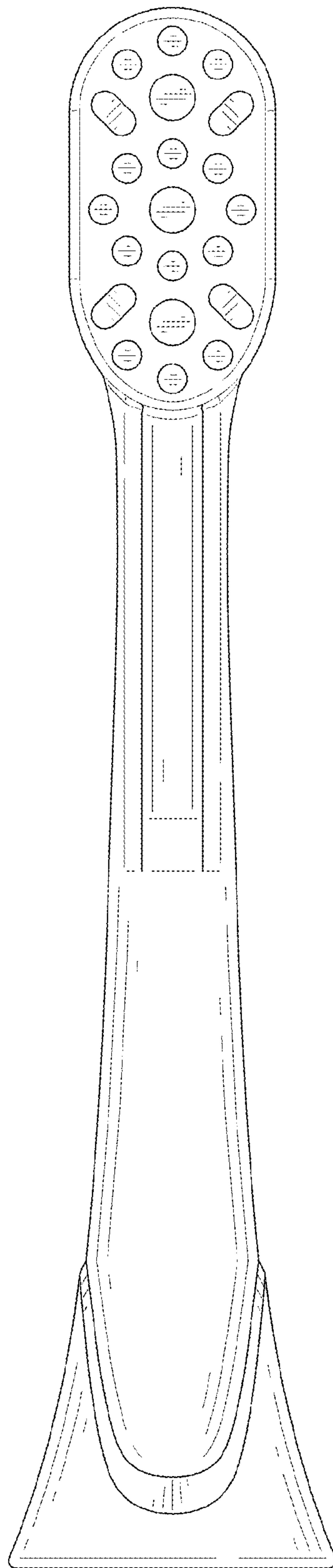


FIG. 3

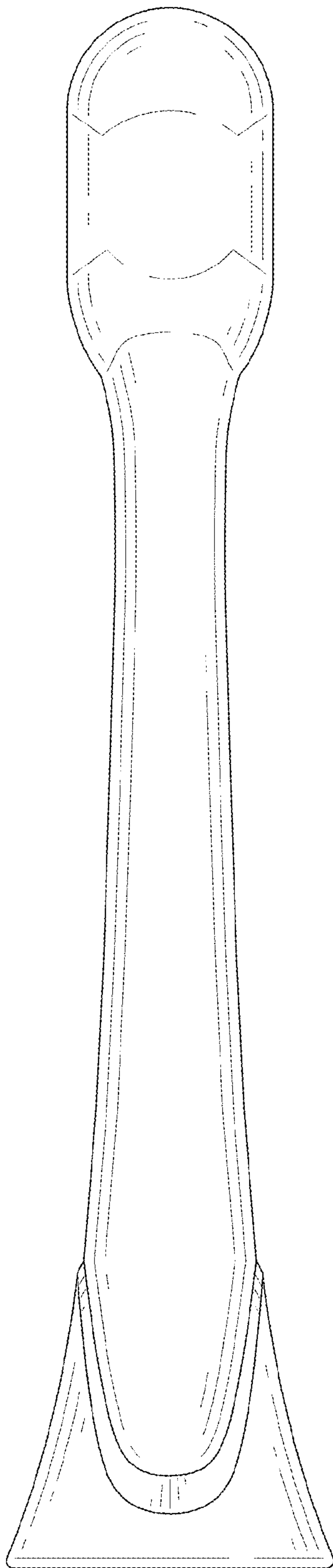


FIG. 4



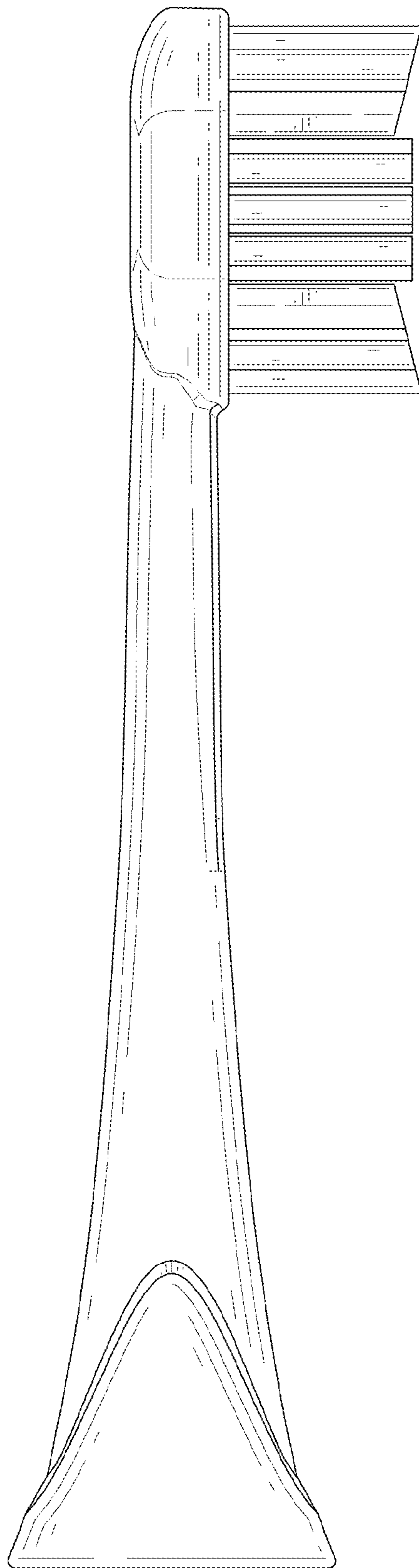


FIG. 5

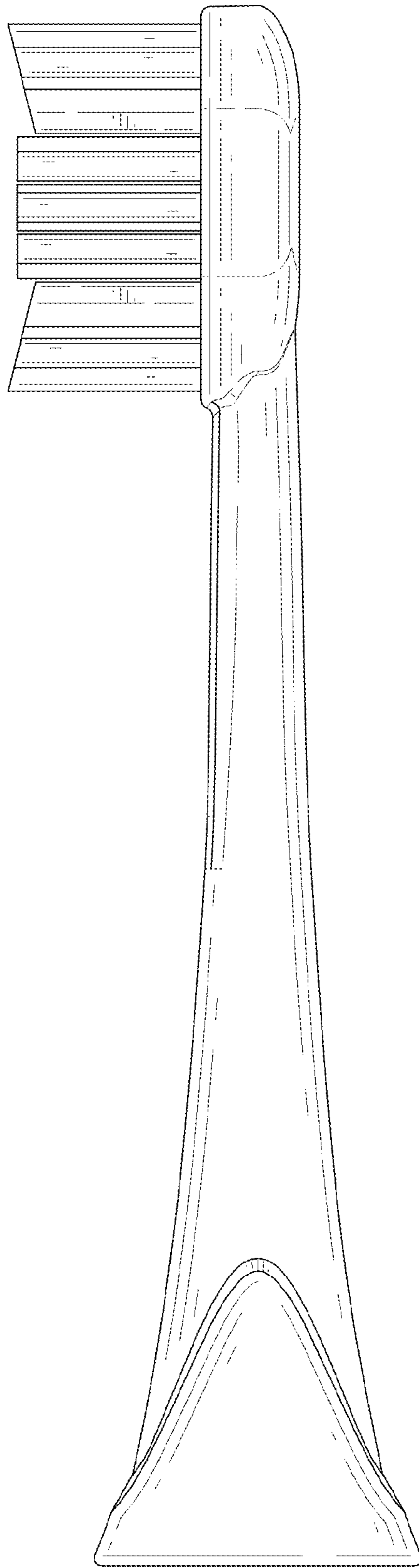


FIG. 6



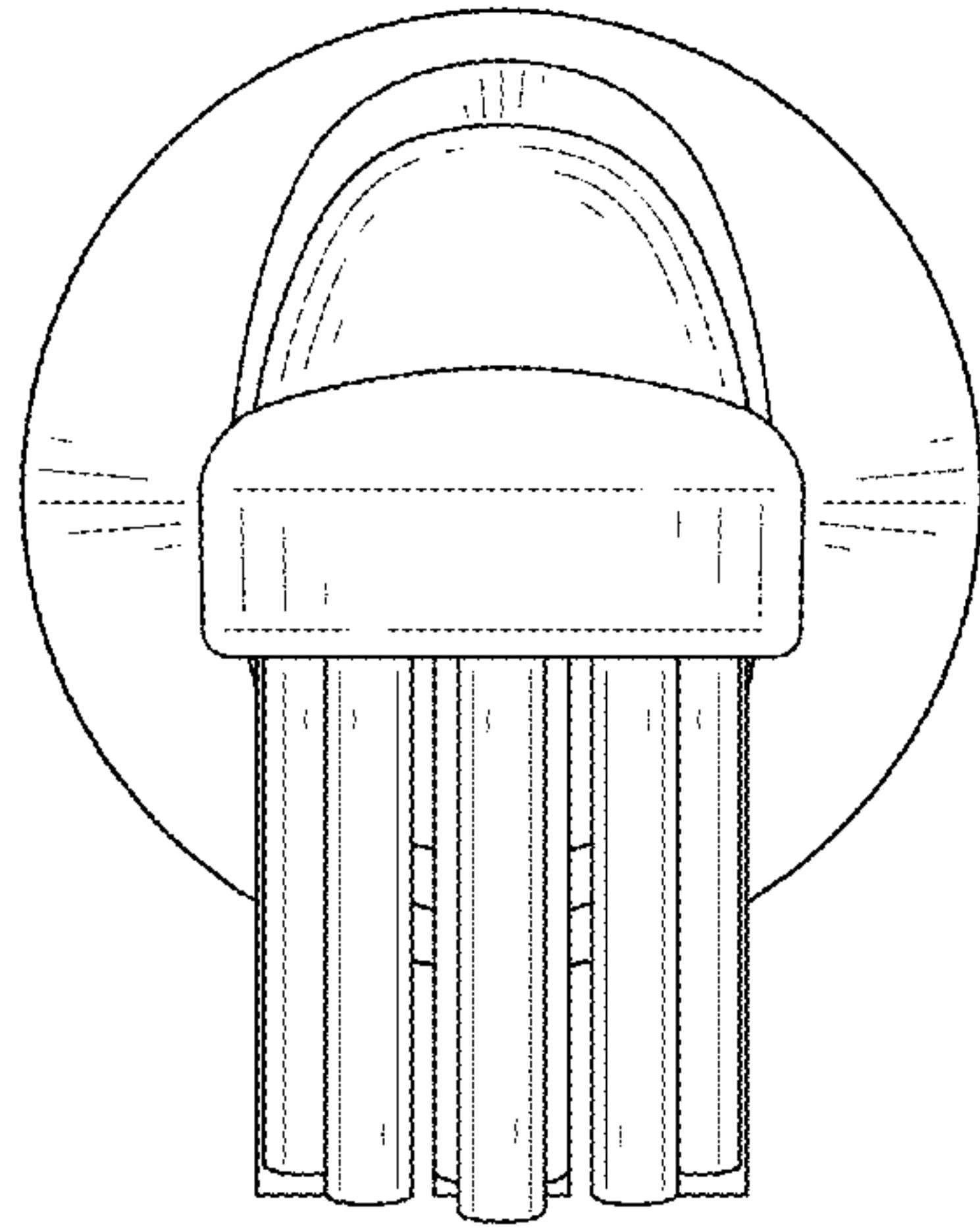


FIG. 7

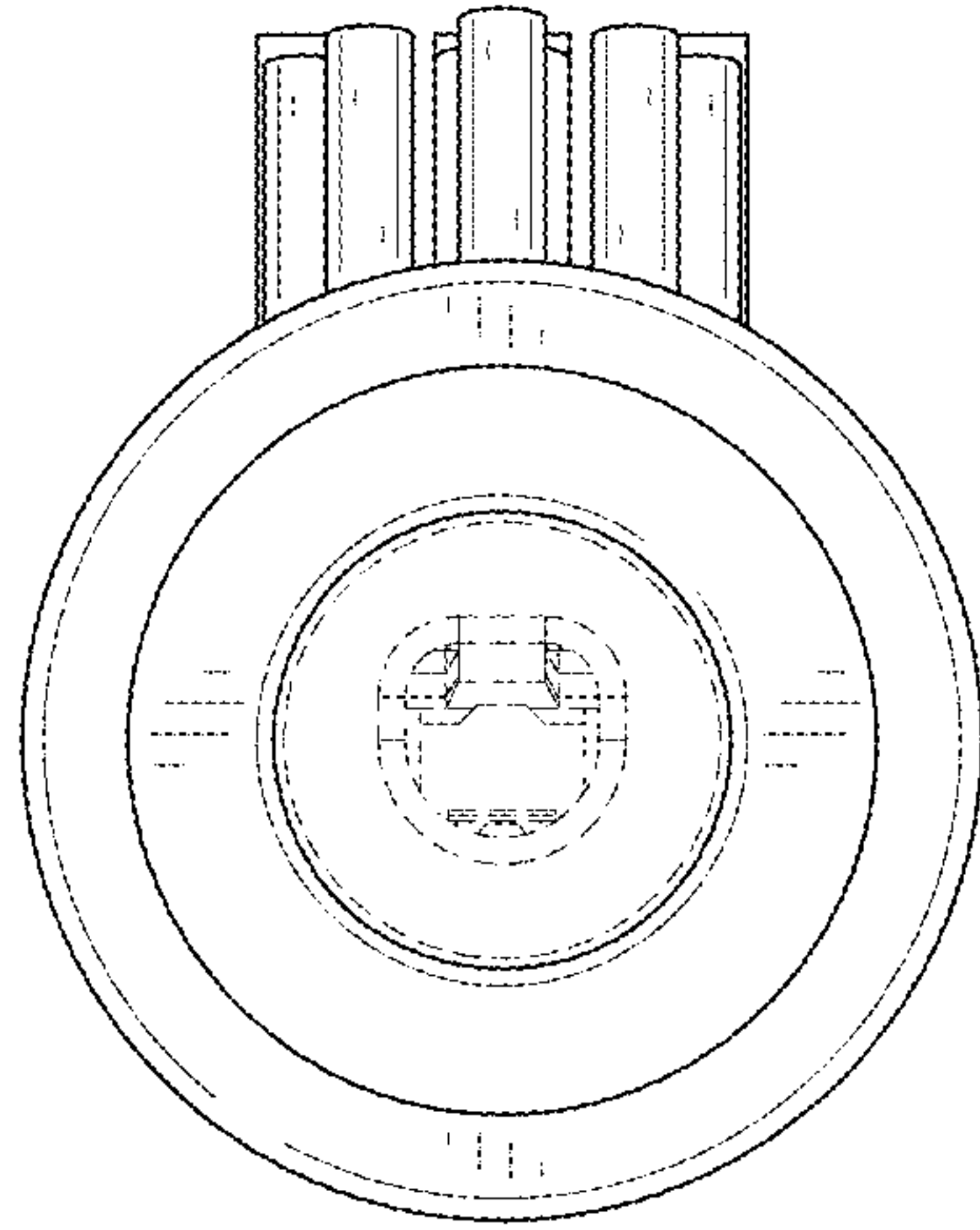


FIG. 8