



US00D933963S

(12) **United States Design Patent** (10) **Patent No.:** **US D933,963 S**
He (45) **Date of Patent:** **** Oct. 26, 2021**

(54) **ELECTRIC TOOTHBRUSH HEAD**
(71) Applicant: **SHENZHEN BAOLIJIE TECHNOLOGY CO., LTD.**, Shenzhen (CN)
(72) Inventor: **Mingfeng He**, Maoming (CN)
(73) Assignee: **Shenzhen Baolijie Technology Co., Ltd.**, Shenzhen (CN)
(**) Term: **15 Years**
(21) Appl. No.: **29/707,092**

6,553,604 B1 * 4/2003 Braun A46B 9/04 15/167.1
D611,712 S * 3/2010 Stoerkel D4/104
D652,626 S * 1/2012 Gebski D4/101
D657,565 S * 4/2012 Gebski D4/101
8,332,982 B2 * 12/2012 Braun A61C 17/3481 15/22.1
D688,045 S * 8/2013 Key D4/101
D715,057 S * 10/2014 Adriaenssen D4/101
D747,609 S * 1/2016 Watkins D4/101
D759,380 S * 6/2016 Watkins D4/101
D759,383 S * 6/2016 Watkins D4/101
D775,835 S * 1/2017 Yoshida D4/101
D799,835 S * 10/2017 Okai D4/101
D853,732 S * 7/2019 Wainless D4/104
(Continued)

(22) Filed: **Sep. 26, 2019**
(30) **Foreign Application Priority Data**
Aug. 21, 2019 (CN) 201930456452.4
(51) **LOC (13) Cl.** **04-02**
(52) **U.S. Cl.**
USPC **D4/101**
(58) **Field of Classification Search**
USPC D4/100-113, 127, 128, 136, 137, 138, D4/199; D24/152, 176
CPC A46B 2200/1066; A46B 5/02; A46B 9/04; A46B 15/0071; A61C 17/16; A61C 17/221; A61C 17/222
See application file for complete search history.

FOREIGN PATENT DOCUMENTS

CN 306275994 * 1/2021
GB 6065072 * 7/2019

Primary Examiner — Rebekah A Caruso
(74) *Attorney, Agent, or Firm* — Westbridge IP LLC

(57) **CLAIM**

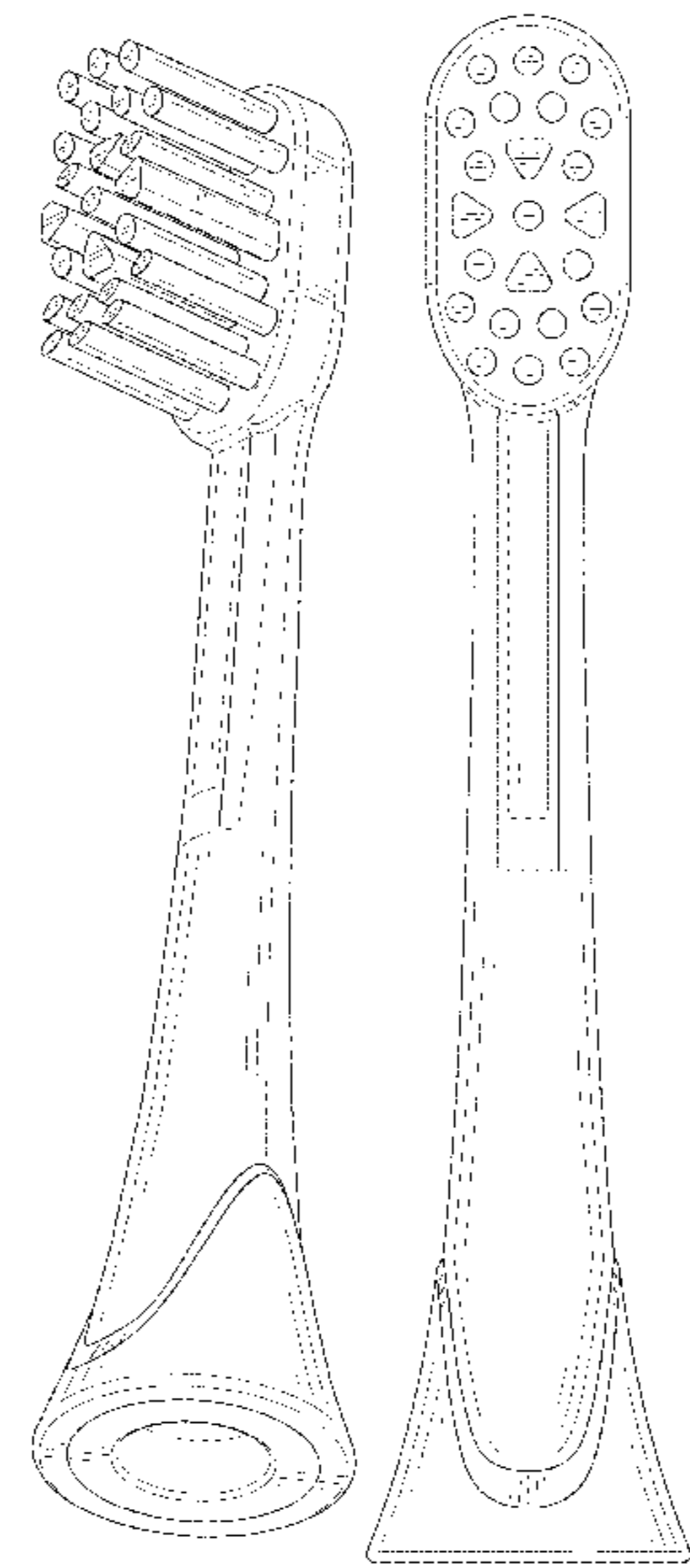
The ornamental design for an electric toothbrush head, as shown and described.

DESCRIPTION

FIG. 1 is a perspective view of an electric toothbrush head showing my new design;
FIG. 2 is another perspective view thereof;
FIG. 3 is a front elevational view thereof;
FIG. 4 is a rear elevational view thereof;
FIG. 5 is a left side elevational view thereof;
FIG. 6 is a right side elevational view thereof;
FIG. 7 is a top plan view thereof; and,
FIG. 8 is a bottom plan view thereof.
The broken lines in the drawings depict portions of the electric toothbrush head that form no part of the claimed design.

1 Claim, 8 Drawing Sheets

(56) **References Cited**
U.S. PATENT DOCUMENTS
D402,116 S * 12/1998 Magloff D4/104
D402,117 S * 12/1998 Fleming D4/104
D403,510 S * 1/1999 Menke D4/104
D434,906 S * 12/2000 Beals D4/104
D444,629 S * 7/2001 Etter D4/104
D448,171 S * 9/2001 Harris D4/104
D448,172 S * 9/2001 Harris D4/104
D448,173 S * 9/2001 Harris D4/104



(56)

References Cited

U.S. PATENT DOCUMENTS

D873,568 S * 1/2020 Hielscher D4/101
D887,145 S * 6/2020 Hu D4/101
D891,116 S * 7/2020 Feng D4/101
D895,296 S * 9/2020 Hu D4/101
D895,976 S * 9/2020 Li D4/104
D895,977 S * 9/2020 Kuang D4/104
D897,687 S * 10/2020 To D4/110
2009/0255077 A1 * 10/2009 Mori A46D 1/023
15/167.1
2019/0200743 A1 * 7/2019 Jungnickel A46B 5/026
2020/0305588 A1 * 10/2020 Jungnickel A46D 1/0238
2020/0315334 A1 * 10/2020 Meidl A46B 9/04
2020/0359779 A1 * 11/2020 Dengler A46D 3/005

* cited by examiner

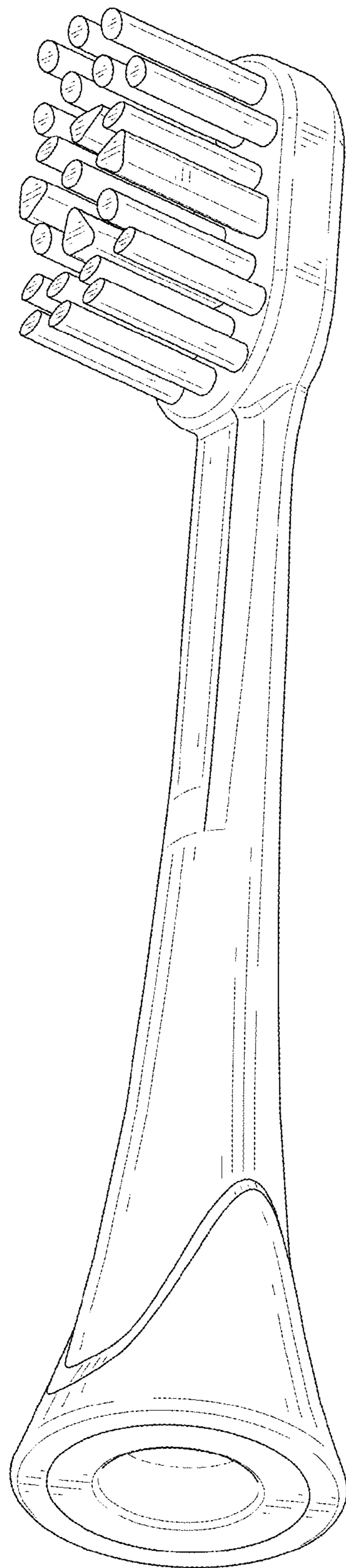


FIG. 1

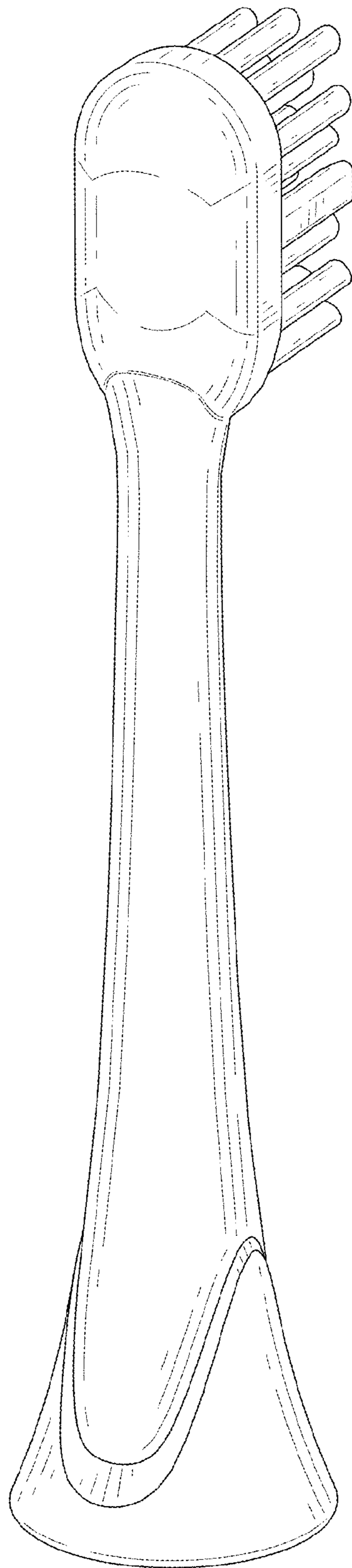


FIG. 2

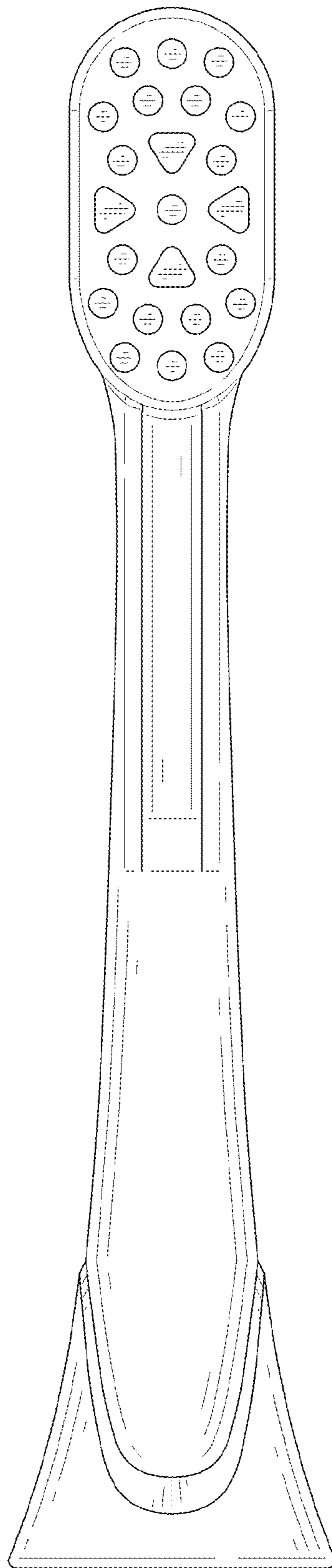


FIG. 3

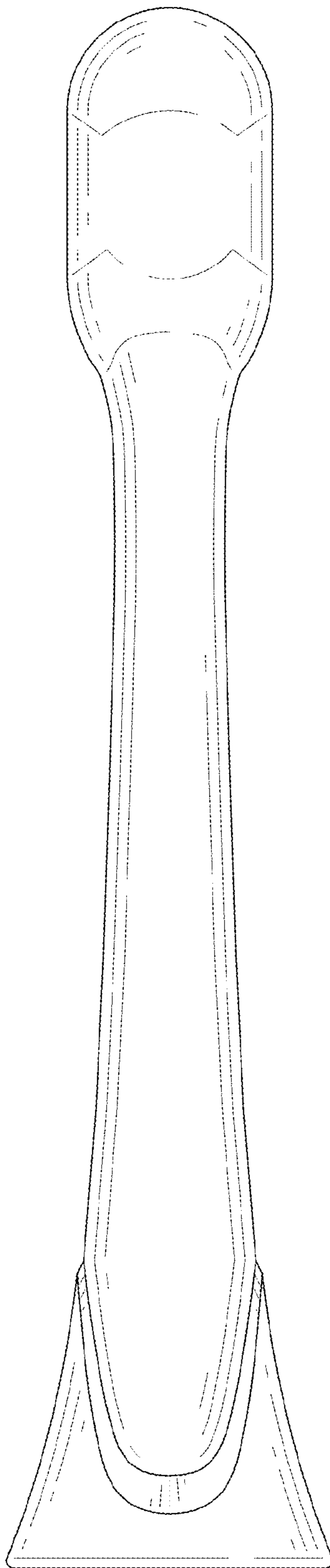


FIG. 4

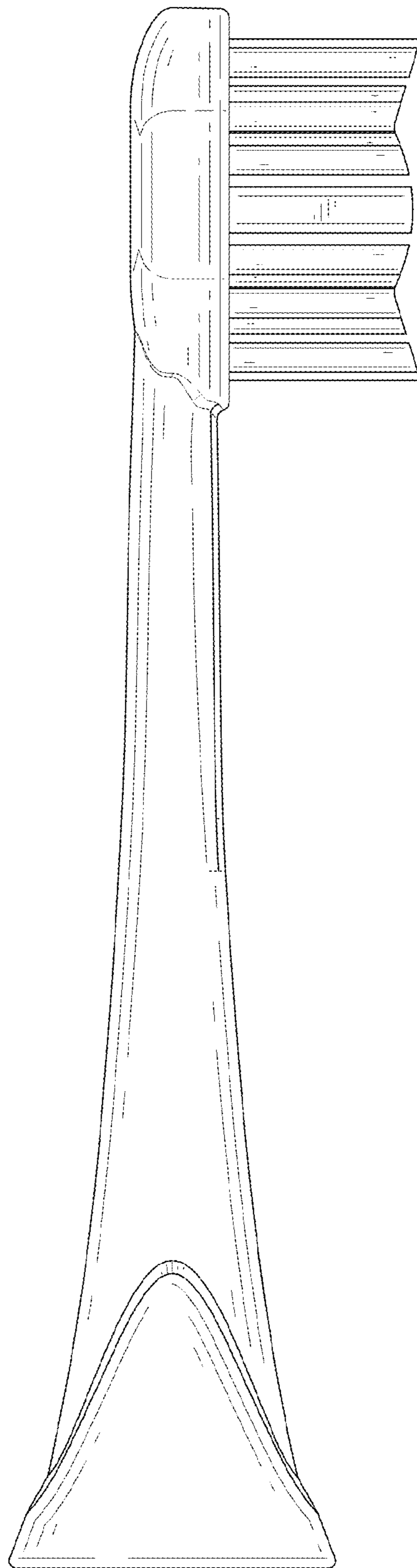


FIG. 5

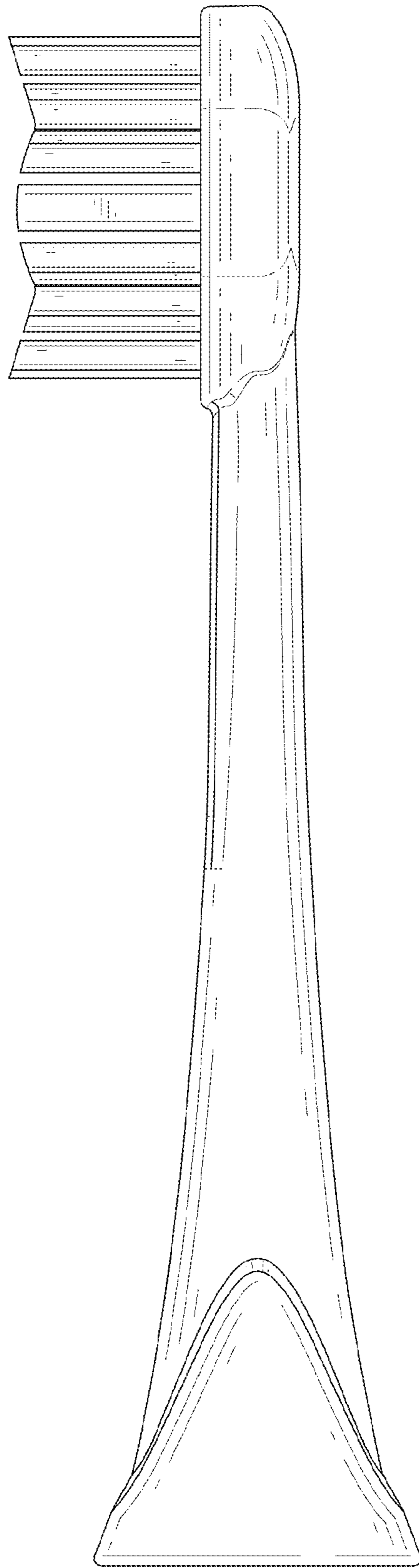


FIG. 6

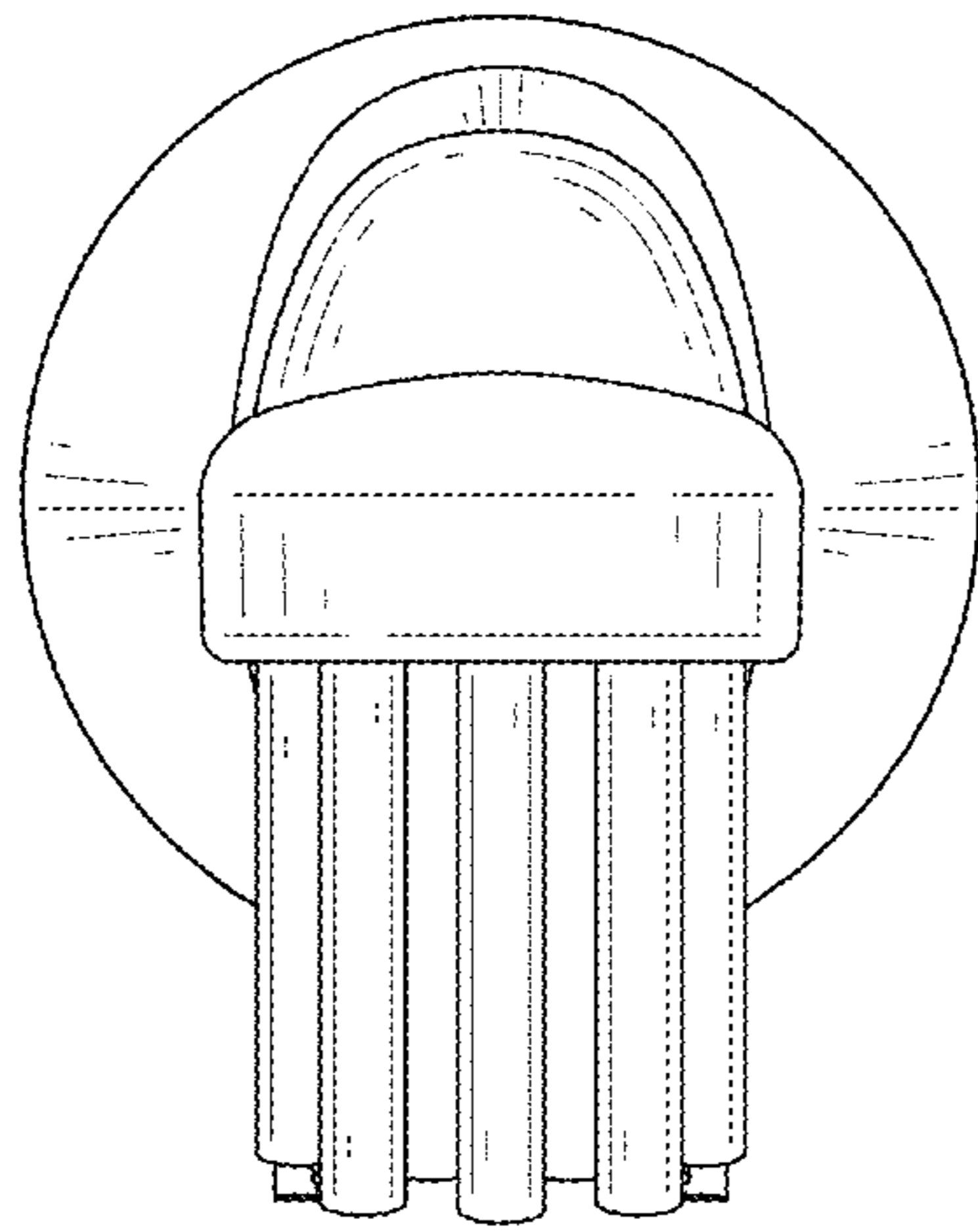


FIG. 7

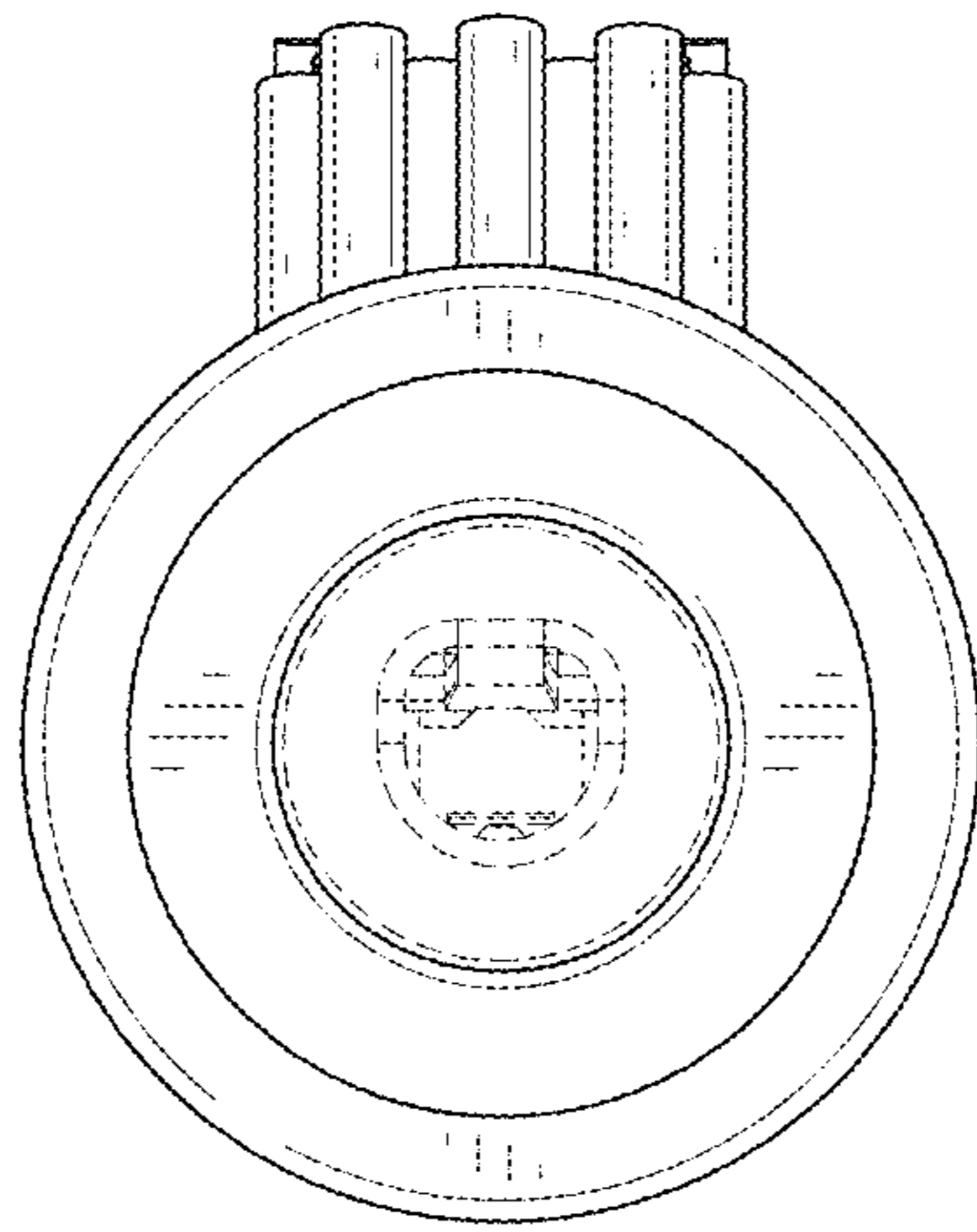


FIG. 8