



US00D933961S

(12) **United States Design Patent** (10) **Patent No.:** **US D933,961 S**  
**He** (45) **Date of Patent:** **\*\* Oct. 26, 2021**

(54) **ELECTRIC TOOTHBRUSH**  
(71) Applicant: **SHENZHEN BAOLIJIE TECHNOLOGY CO., LTD.**, Shenzhen (CN)  
(72) Inventor: **Mingfeng He**, Maoming (CN)  
(73) Assignee: **SHENZHEN BAOLIJIE TECHNOLOGY CO., LTD.**, Shenzhen (CN)

D759,382 S \* 6/2016 Watkins ..... D4/101  
D799,217 S \* 10/2017 Masee ..... D4/101  
D819,337 S \* 6/2018 Yuan ..... D4/101  
D838,991 S \* 1/2019 Choi ..... D4/101  
D844,995 S \* 4/2019 Wong ..... D4/101  
D850,112 S \* 6/2019 Wang ..... D4/101  
D861,352 S \* 10/2019 Xu ..... D4/101  
D875,403 S \* 2/2020 Choi ..... D4/101  
D876,096 S \* 2/2020 Damavandi ..... D4/101  
D886,459 S \* 6/2020 Yuan ..... D4/101  
D888,435 S \* 6/2020 Damavandi ..... D4/101  
D891,115 S \* 7/2020 Damavandi ..... D4/101

(Continued)

(\*\*) Term: **15 Years**

FOREIGN PATENT DOCUMENTS

(21) Appl. No.: **29/707,088**

JP D1527589 \* 6/2015

(22) Filed: **Sep. 26, 2019**

Primary Examiner — Rebekah A Caruso

(30) **Foreign Application Priority Data**

(74) Attorney, Agent, or Firm — Westbridge IP LLC

Aug. 22, 2019 (CN) ..... 201930457055.9

(51) **LOC (13) Cl.** ..... **04-02**

(52) **U.S. Cl.**  
USPC ..... **D4/101**

(58) **Field of Classification Search**  
USPC ..... D4/100–113, 127, 128, 136, 137, 138, D4/199; D24/152, 176  
CPC ..... A46B 2200/1066; A46B 5/02; A46B 9/04; A46B 15/0071; A61C 17/16; A61C 17/221; A61C 17/222  
See application file for complete search history.

(57) **CLAIM**

The ornamental design for an electric toothbrush, as shown and described.

**DESCRIPTION**

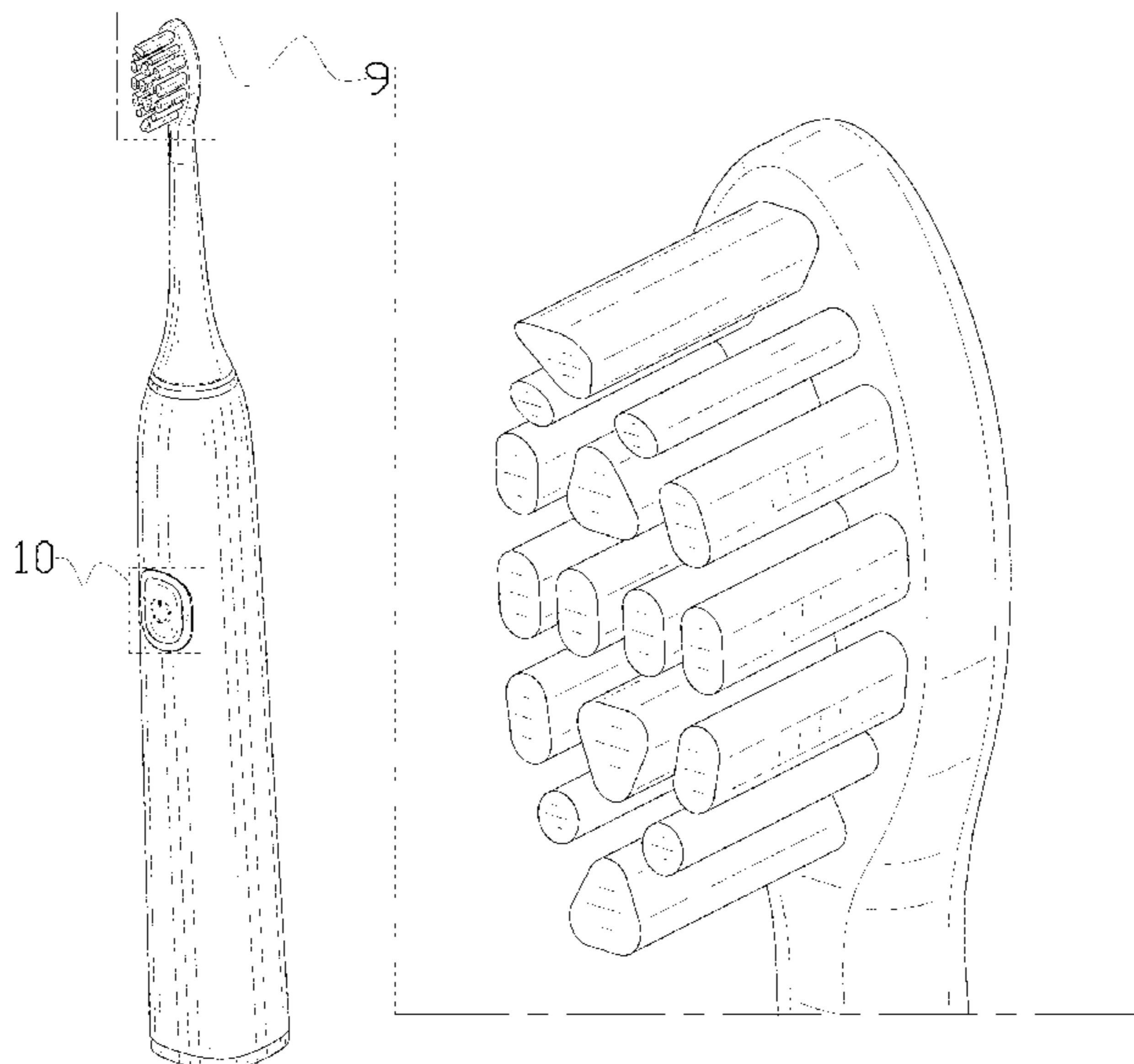
FIG. 1 is a perspective view of an electric toothbrush showing my new design;  
FIG. 2 is another perspective view thereof;  
FIG. 3 is a front elevational view thereof;  
FIG. 4 is a rear elevational view thereof;  
FIG. 5 is a left side elevational view thereof;  
FIG. 6 is a right side elevational view thereof;  
FIG. 7 is a top plan view thereof;  
FIG. 8 is a bottom plan view thereof;  
FIG. 9 is an enlarged view of portion 9 shown in FIG. 1;  
FIG. 10 is an enlarged view of portion 10 shown in FIG. 1; and,  
FIG. 11 is an enlarged view of portion 11 shown in FIG. 2.  
The broken lines in the drawings depict portions of the electric toothbrush that form no part of the claimed design.

(56) **References Cited**

U.S. PATENT DOCUMENTS

D696,023 S \* 12/2013 Gebski ..... D4/101  
D696,517 S \* 12/2013 Gebski ..... D4/101  
D715,057 S \* 10/2014 Adriaenssen ..... D4/101  
D719,737 S \* 12/2014 Adriaenssen ..... D4/101  
D749,324 S \* 2/2016 Cessot ..... D4/101  
D749,853 S \* 2/2016 Cessot ..... D4/101  
D759,381 S \* 6/2016 Watkins ..... D4/101

**1 Claim, 11 Drawing Sheets**



(56)

**References Cited**

U.S. PATENT DOCUMENTS

D895,295 S \* 9/2020 Xu ..... D4/101  
D895,296 S \* 9/2020 Hu ..... D4/101  
D916,466 S \* 4/2021 Albay ..... D4/101  
2019/0255351 A1\* 8/2019 Cha ..... A61C 17/225

\* cited by examiner

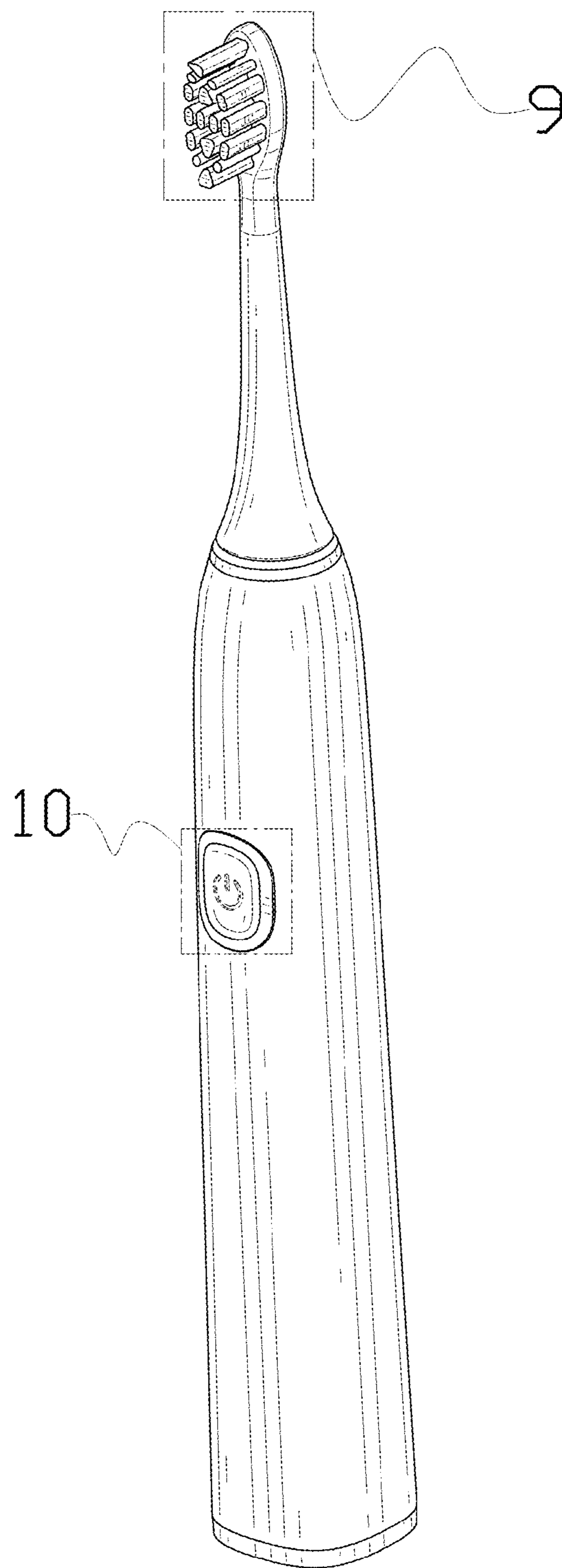


FIG. 1

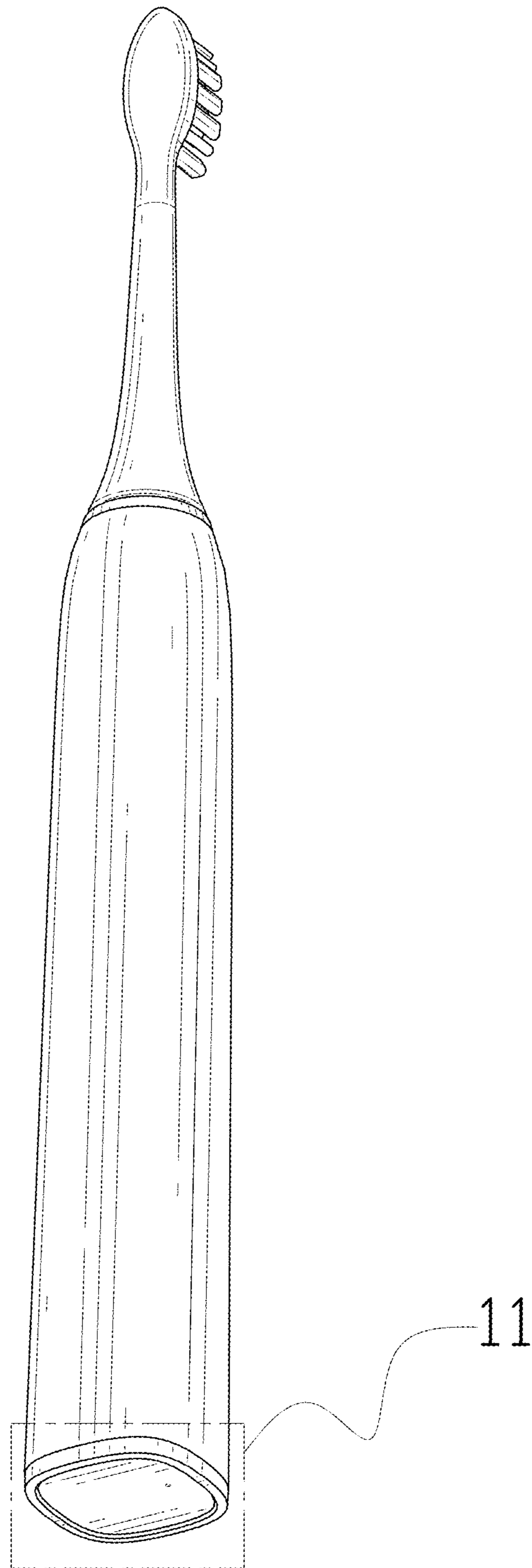


FIG. 2

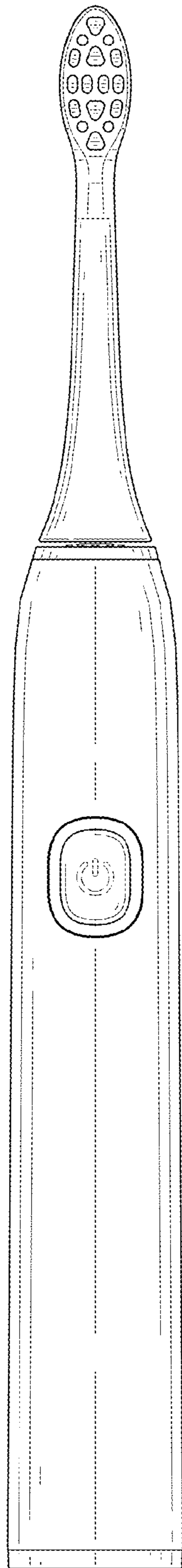


FIG. 3

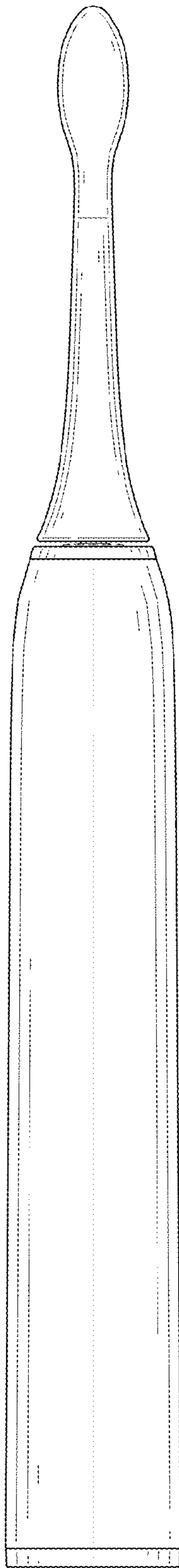


FIG. 4

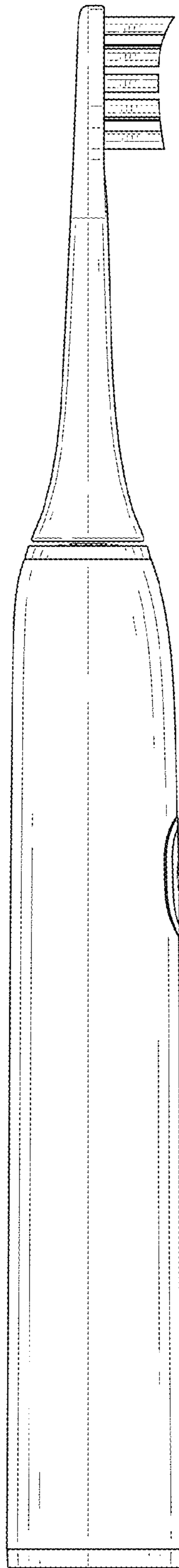


FIG. 5

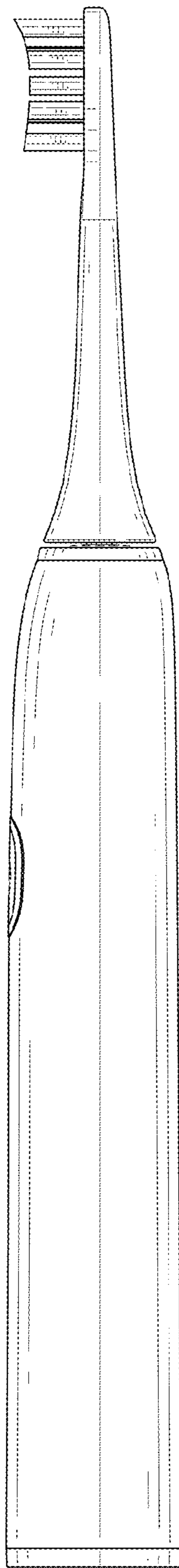


FIG. 6



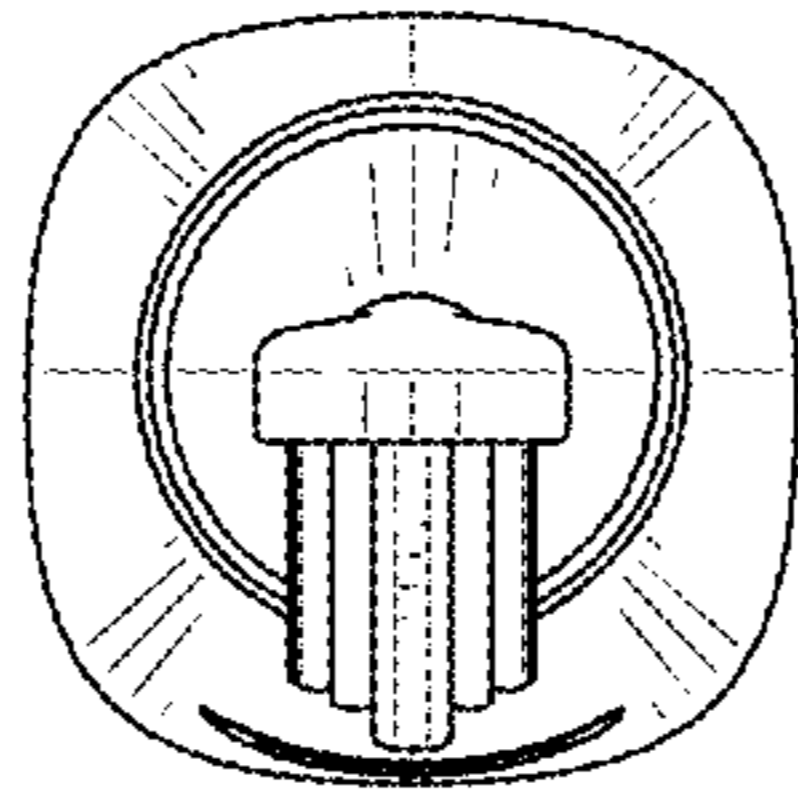


FIG. 7

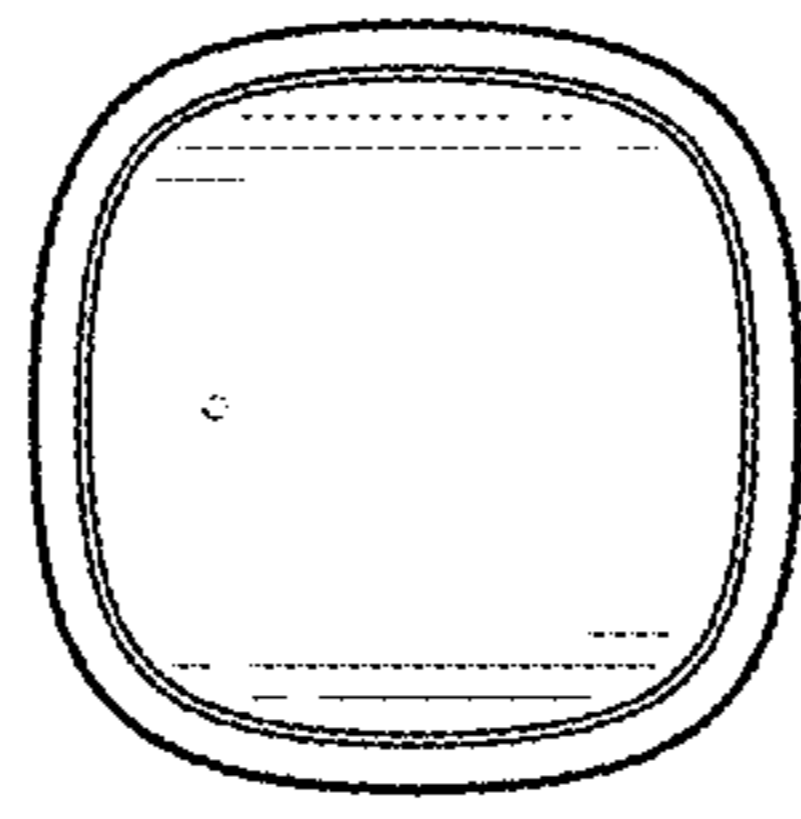


FIG. 8

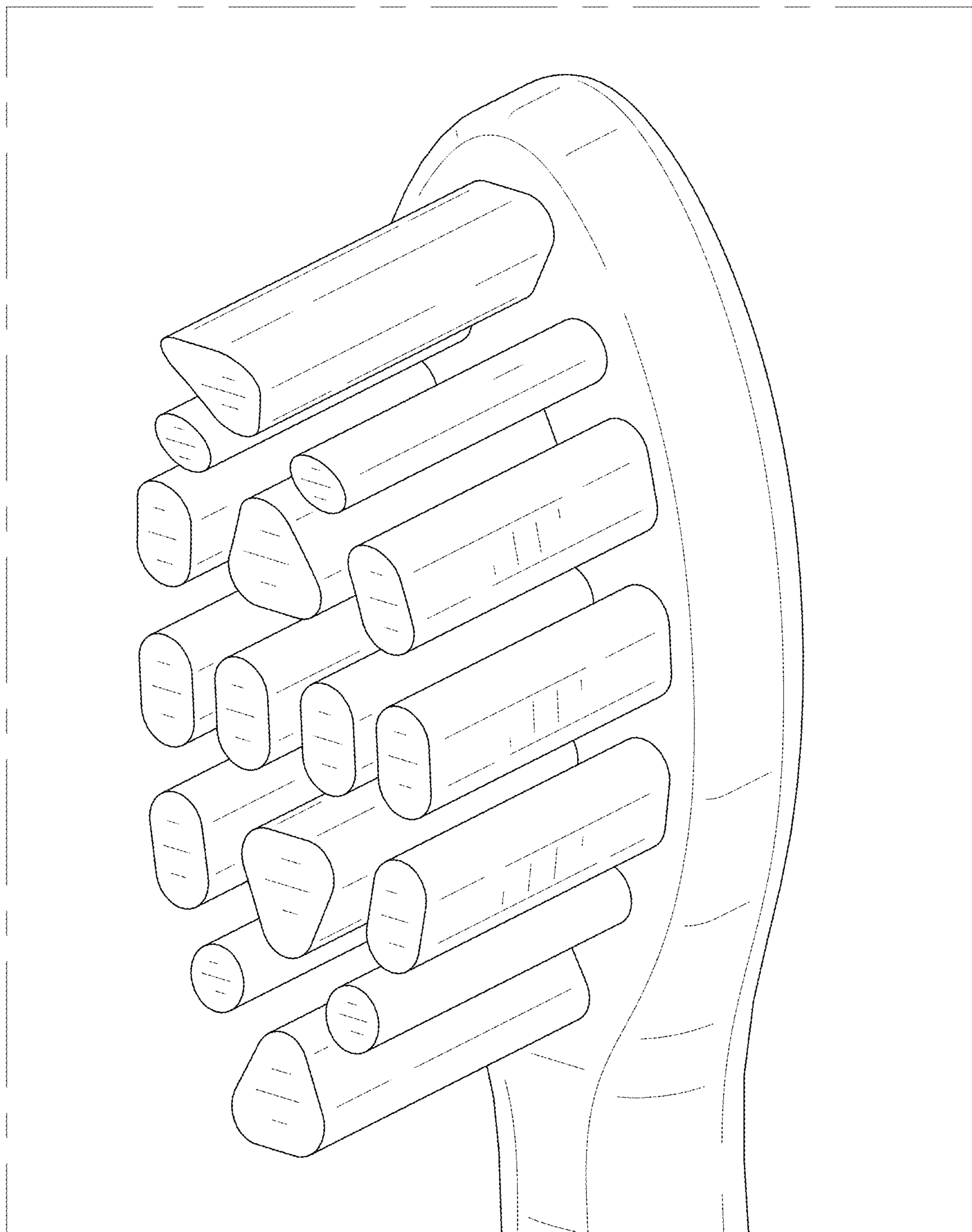


FIG. 9

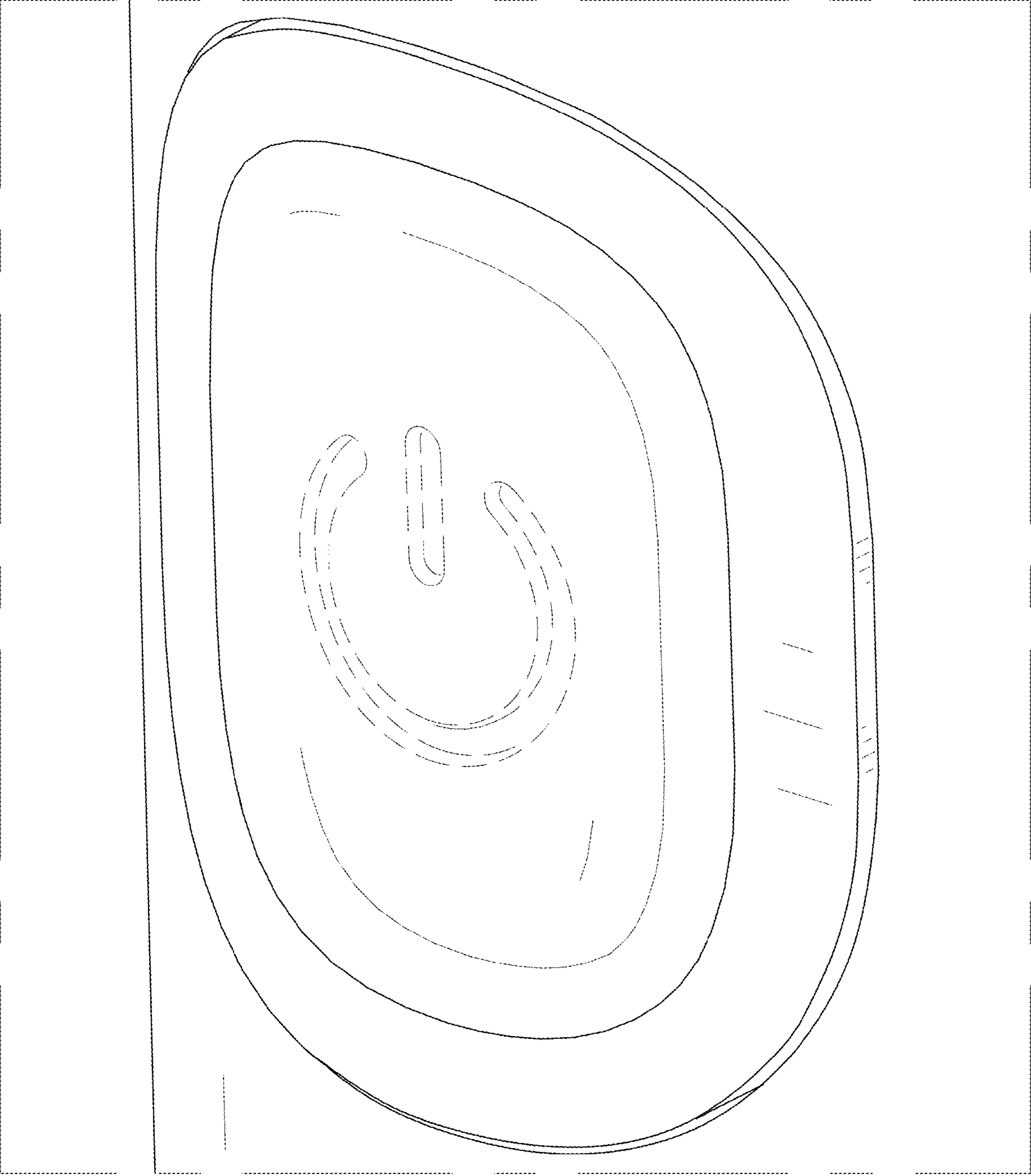


FIG. 10

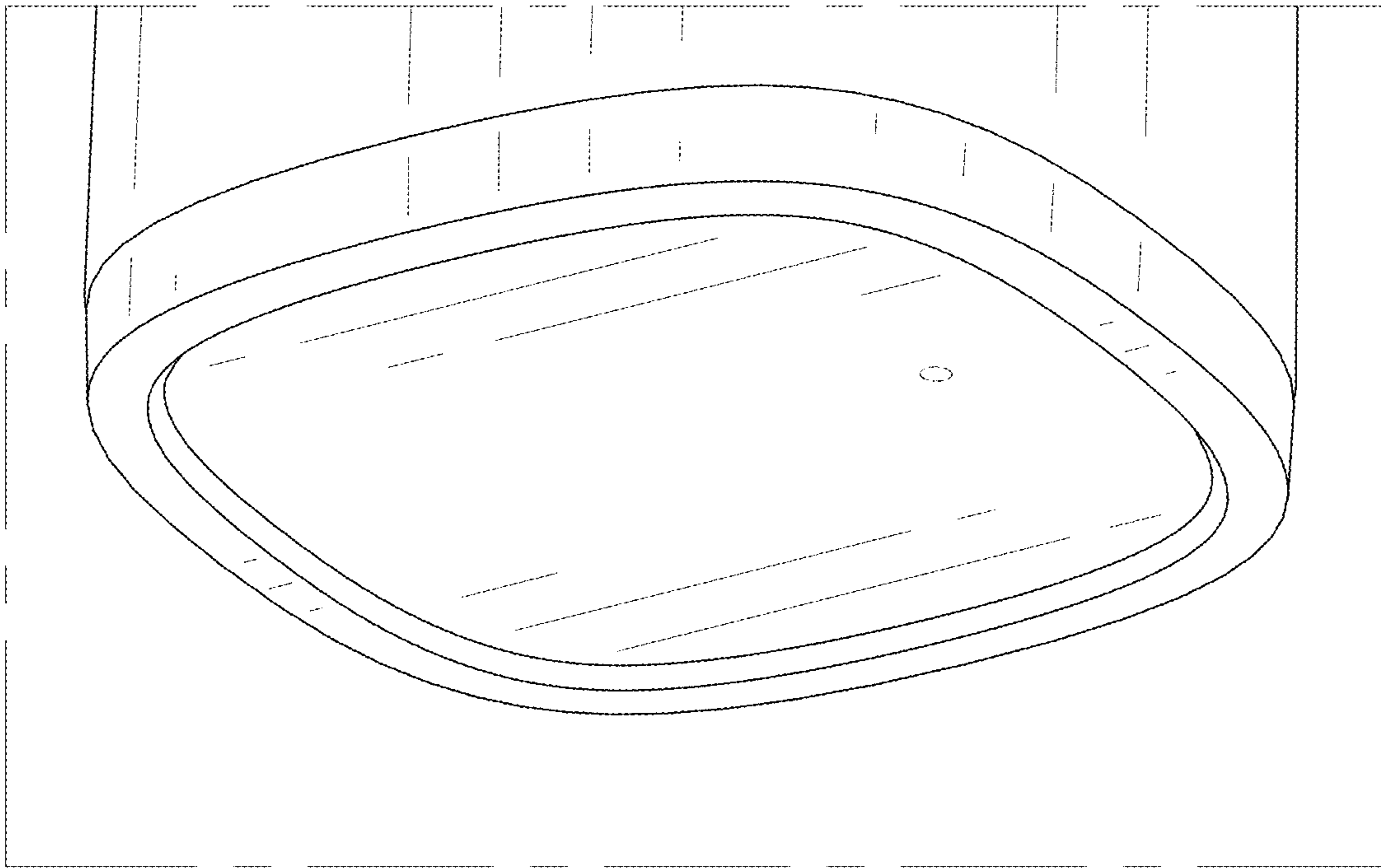


FIG. 11