



US00D933960S

(12) **United States Design Patent**
Wang

(10) **Patent No.:** **US D933,960 S**

(45) **Date of Patent:** **** Oct. 26, 2021**

- (54) **ELECTRIC TOOTHBRUSH**
- (71) Applicant: **Hai Wang**, Hong Kong (HK)
- (72) Inventor: **Hai Wang**, Hong Kong (HK)
- (73) Assignee: **INNOTECH APPLIANCE LIMITED**,
Hong Kong (CN)

(**) Term: **15 Years**

(21) Appl. No.: **29/705,745**

(22) Filed: **Sep. 16, 2019**

(51) **LOC (13) Cl.** **04-02**

(52) **U.S. Cl.**
USPC **D4/101**

(58) **Field of Classification Search**
USPC D4/100–113, 127, 128, 136, 137, 138,
D4/199; D24/152, 176
CPC A46B 2200/1066; A46B 5/02; A46B 9/04;
A46B 15/0071; A61C 17/16; A61C
17/221; A61C 17/222
See application file for complete search history.

(56) **References Cited**

U.S. PATENT DOCUMENTS

D580,173 S *	11/2008	Beedham	D4/101
D619,368 S *	7/2010	Toshima	D4/101
D696,023 S *	12/2013	Gebski	D4/101
D696,517 S *	12/2013	Gebski	D4/101
D715,057 S *	10/2014	Adriaenssen	D4/101
D717,547 S *	11/2014	Adriaenssen	D4/101
D718,057 S *	11/2014	Massee	D4/101
D719,737 S *	12/2014	Adriaenssen	D4/101
D819,337 S *	6/2018	Yuan	D4/101
D838,991 S *	1/2019	Choi	D4/101
D845,636 S *	4/2019	Porter	D4/104
D847,512 S *	5/2019	Goldberg	D4/101
D854,333 S *	7/2019	Hielscher	D4/104
D861,352 S *	10/2019	Xu	D4/101

D873,568 S *	1/2020	Hielscher	D4/101
D874,830 S *	2/2020	Choi	D4/101
D875,403 S *	2/2020	Choi	D4/101
D876,096 S *	2/2020	Damavandi	D4/101
D880,871 S *	4/2020	Choi	D4/101
D881,584 S *	4/2020	Porter	D4/104
D891,115 S *	7/2020	Damavandi	D4/101
D907,924 S *	1/2021	Wong	D4/101
10,918,469 B2 *	2/2021	Sokol	A61C 17/227

* cited by examiner

Primary Examiner — Rebekah A Caruso

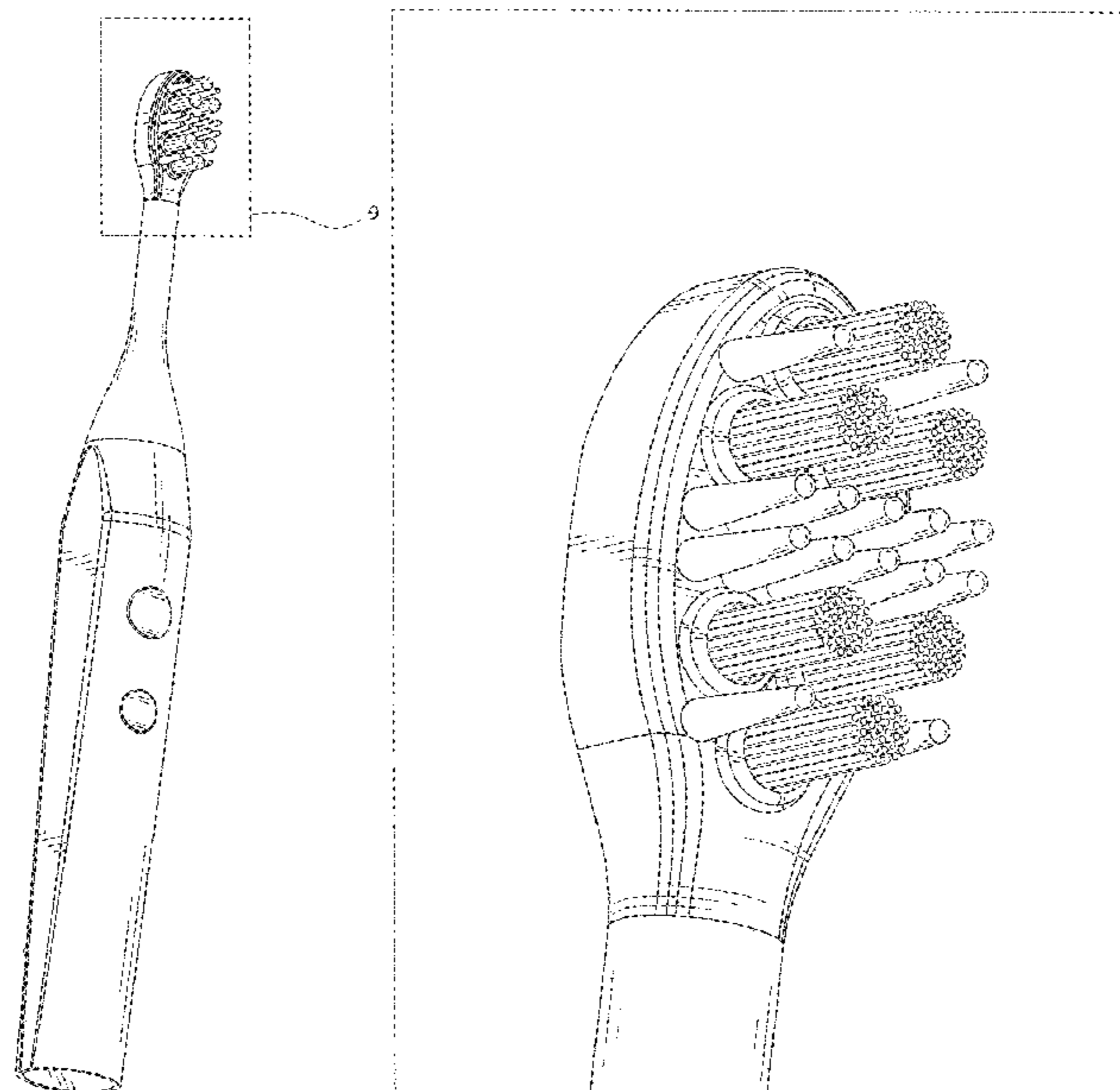
(57) **CLAIM**

The ornamental design for an electric toothbrush, as shown and described.

DESCRIPTION

FIG. 1 is a perspective view of an electric toothbrush showing my new design;
FIG. 2 is a front elevational view thereof;
FIG. 3 is a rear elevational view thereof;
FIG. 4 is a left side elevational view thereof;
FIG. 5 is a right side elevational view thereof;
FIG. 6 is a top plan view thereof;
FIG. 7 is a bottom plan view thereof;
FIG. 8 is a perspective view thereof showing the back at a different angle;
FIG. 9 is an enlarged view of a brush head of FIG. 1;
FIG. 10 is an enlarged view of the brush head of FIG. 2;
FIG. 11 is an enlarged view of the brush head of FIG. 3;
FIG. 12 is an enlarged view of the brush head of FIG. 4;
FIG. 13 is an enlarged view of the brush head of FIG. 5; and,
FIG. 14 is an enlarged view of the brush head of FIG. 8.
The broken line showing of the surface within the small stadium-shaped opening located on the rear of the article is for the purpose of illustrating portions of the article that form no part of the claimed design.

1 Claim, 14 Drawing Sheets



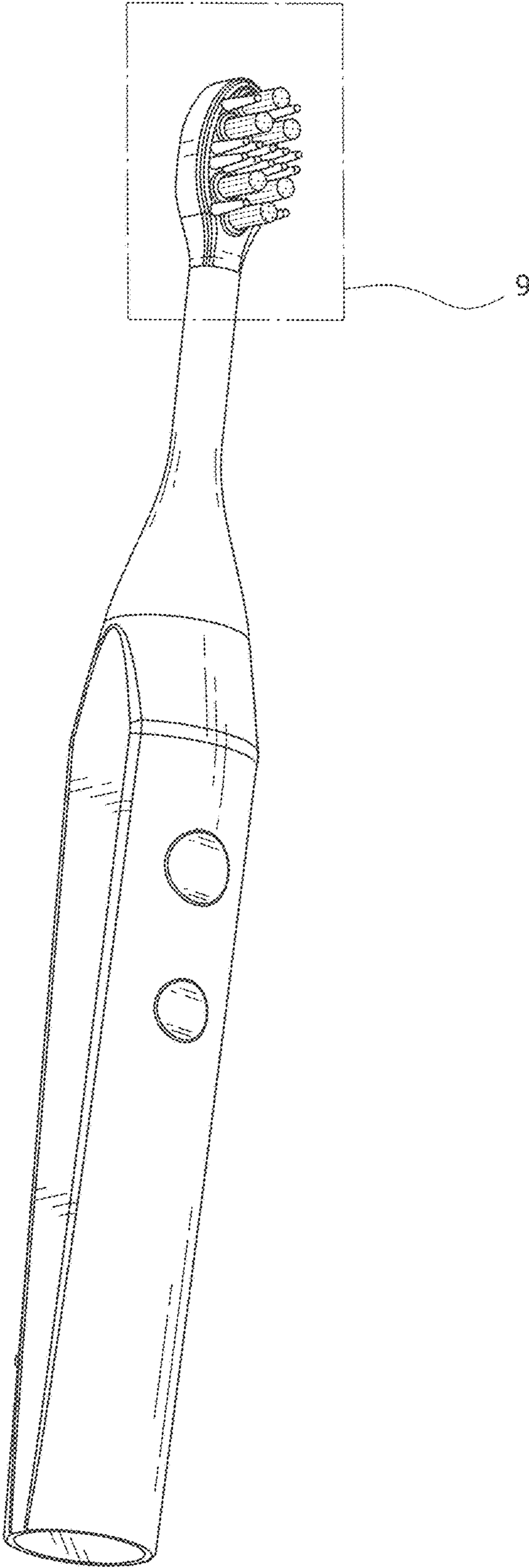


FIG. 1

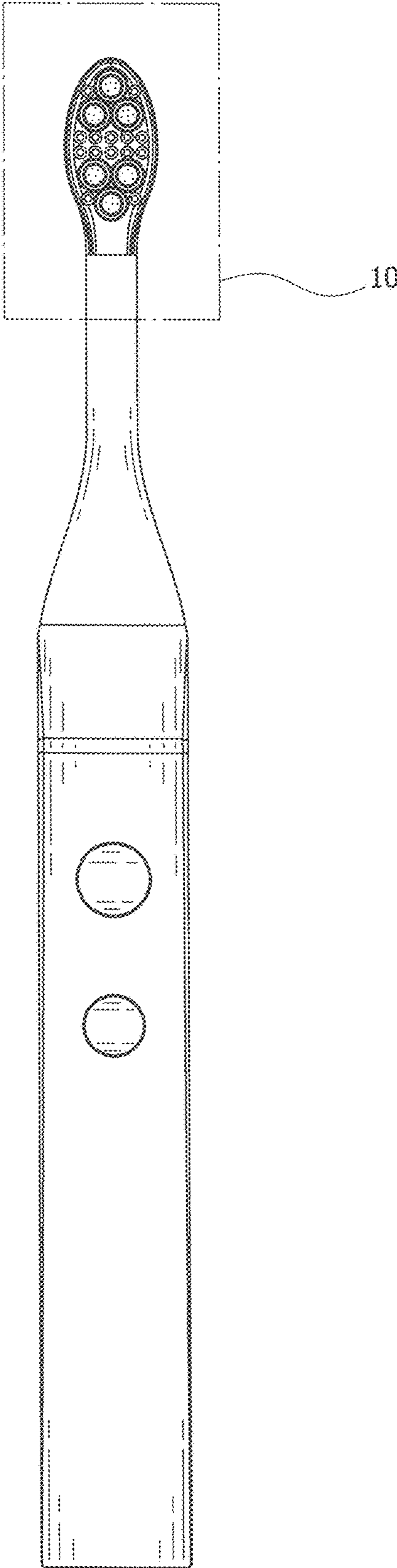


FIG. 2

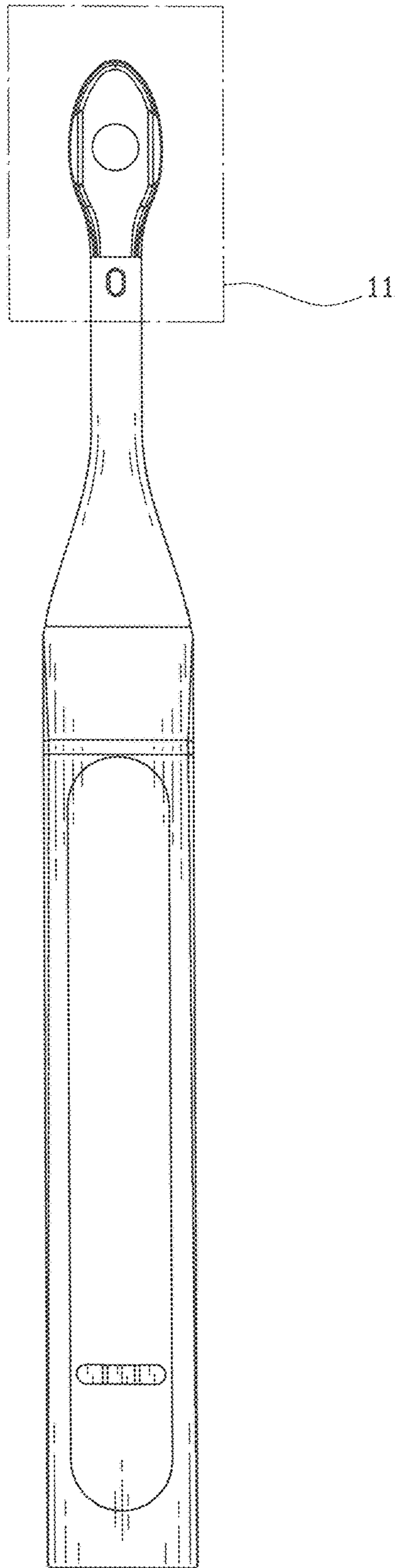


FIG. 3

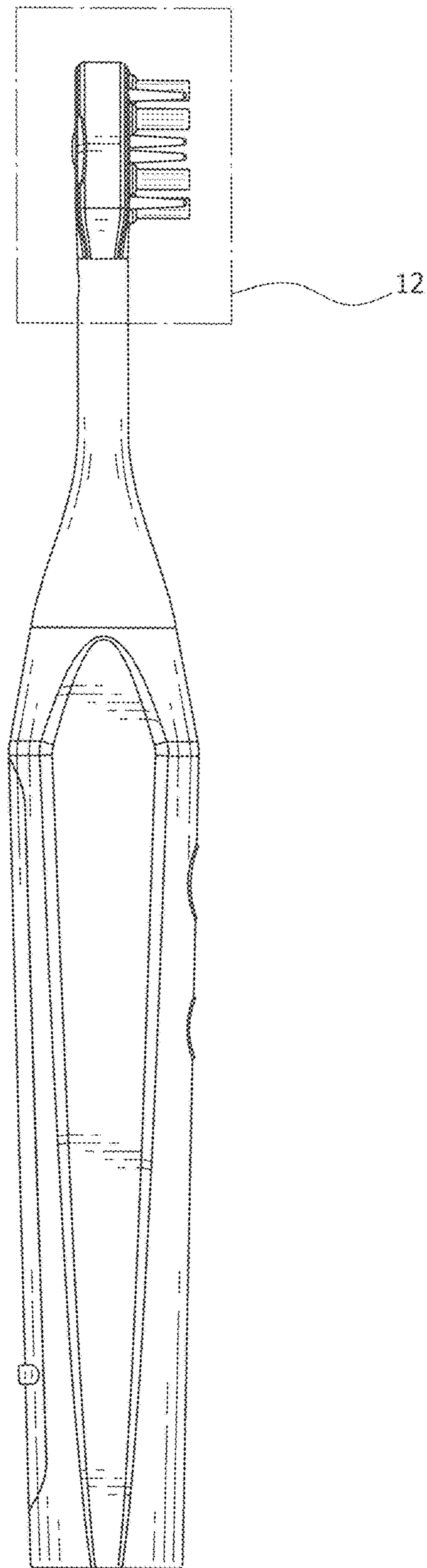


FIG. 4

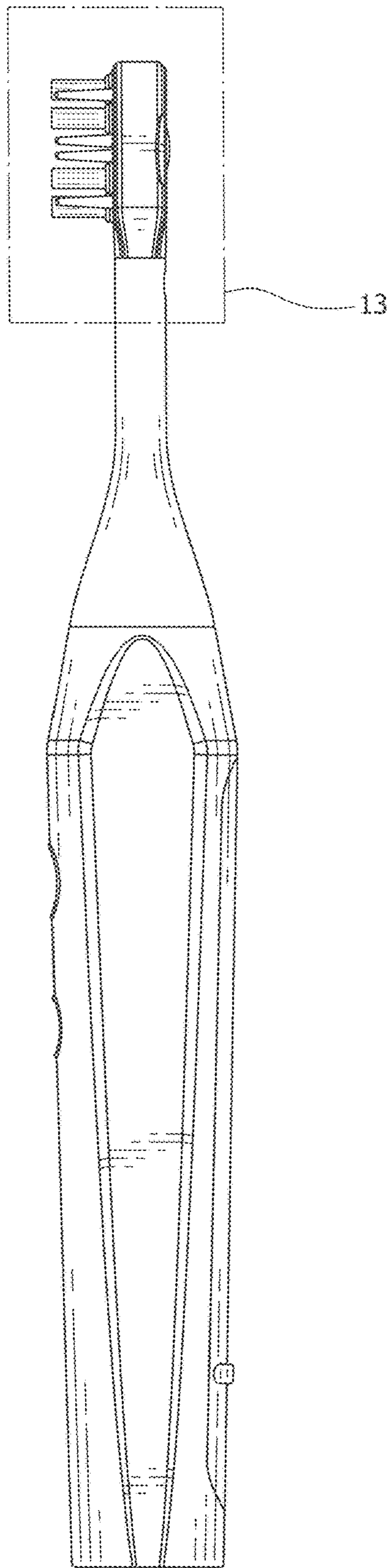


FIG. 5

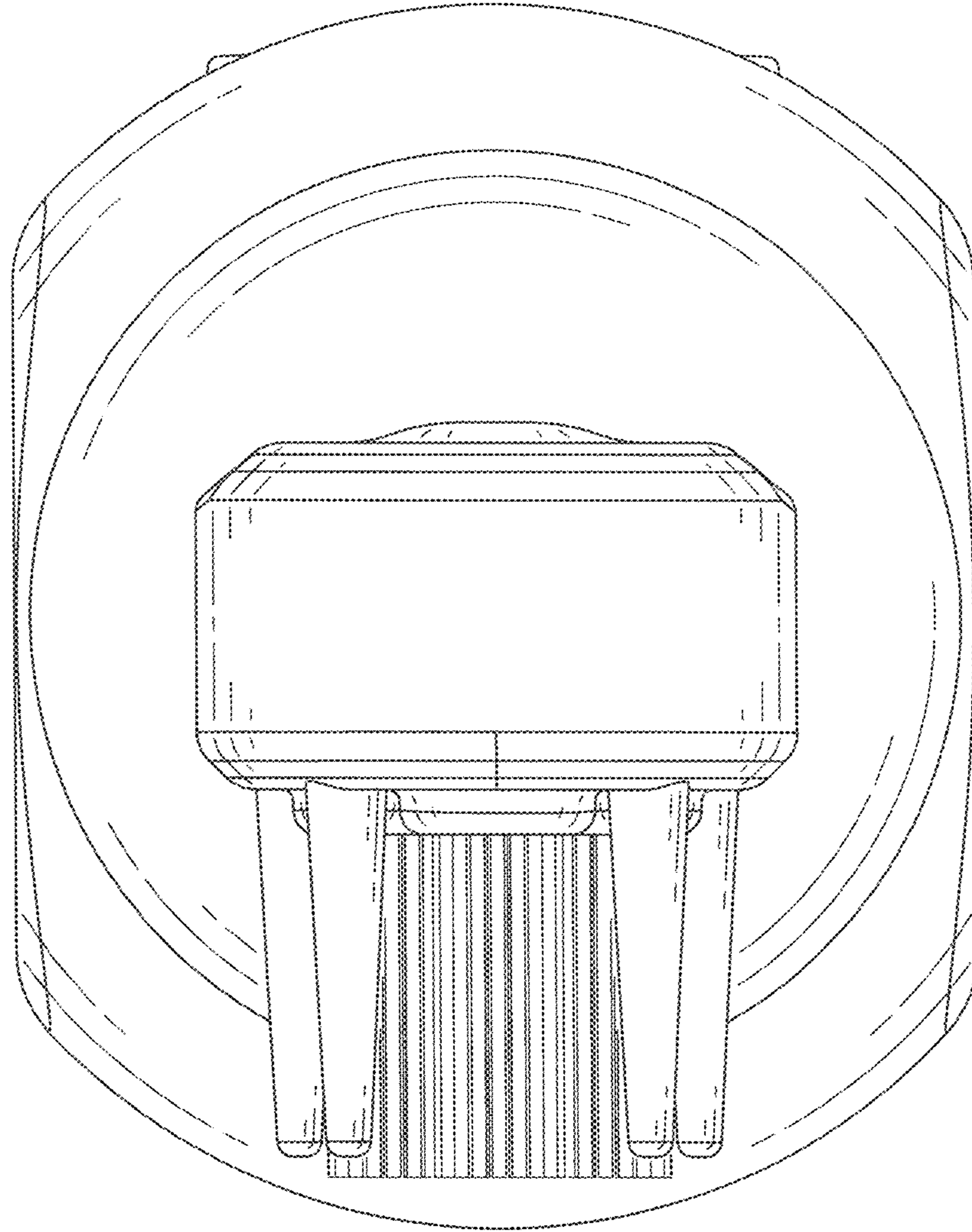


FIG. 6

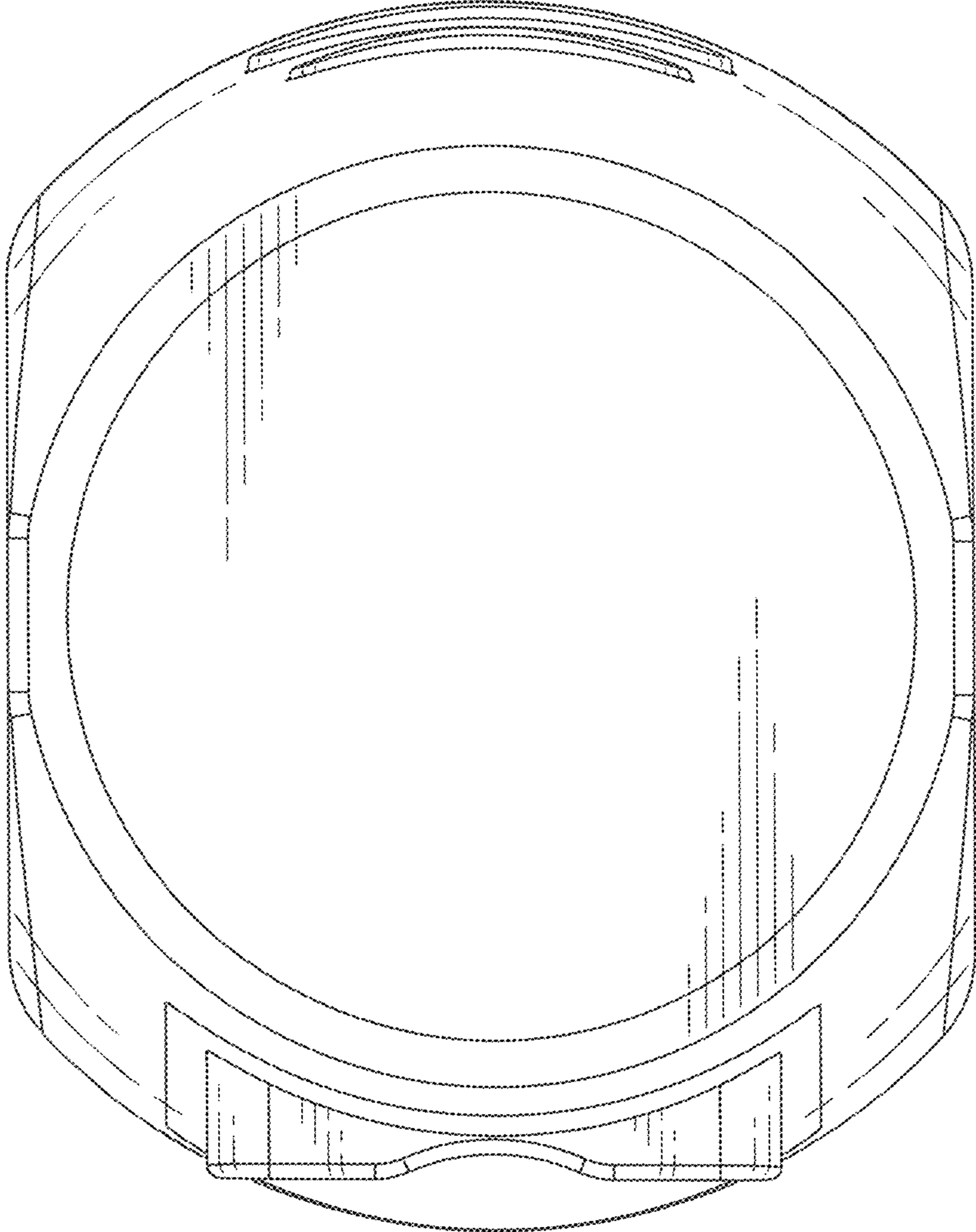


FIG. 7

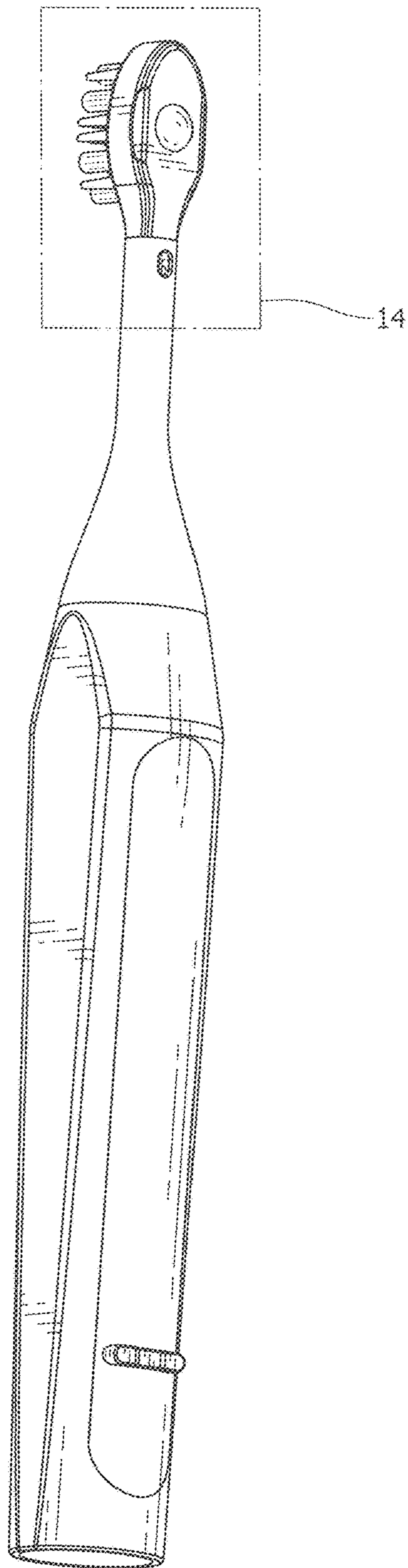


FIG. 8

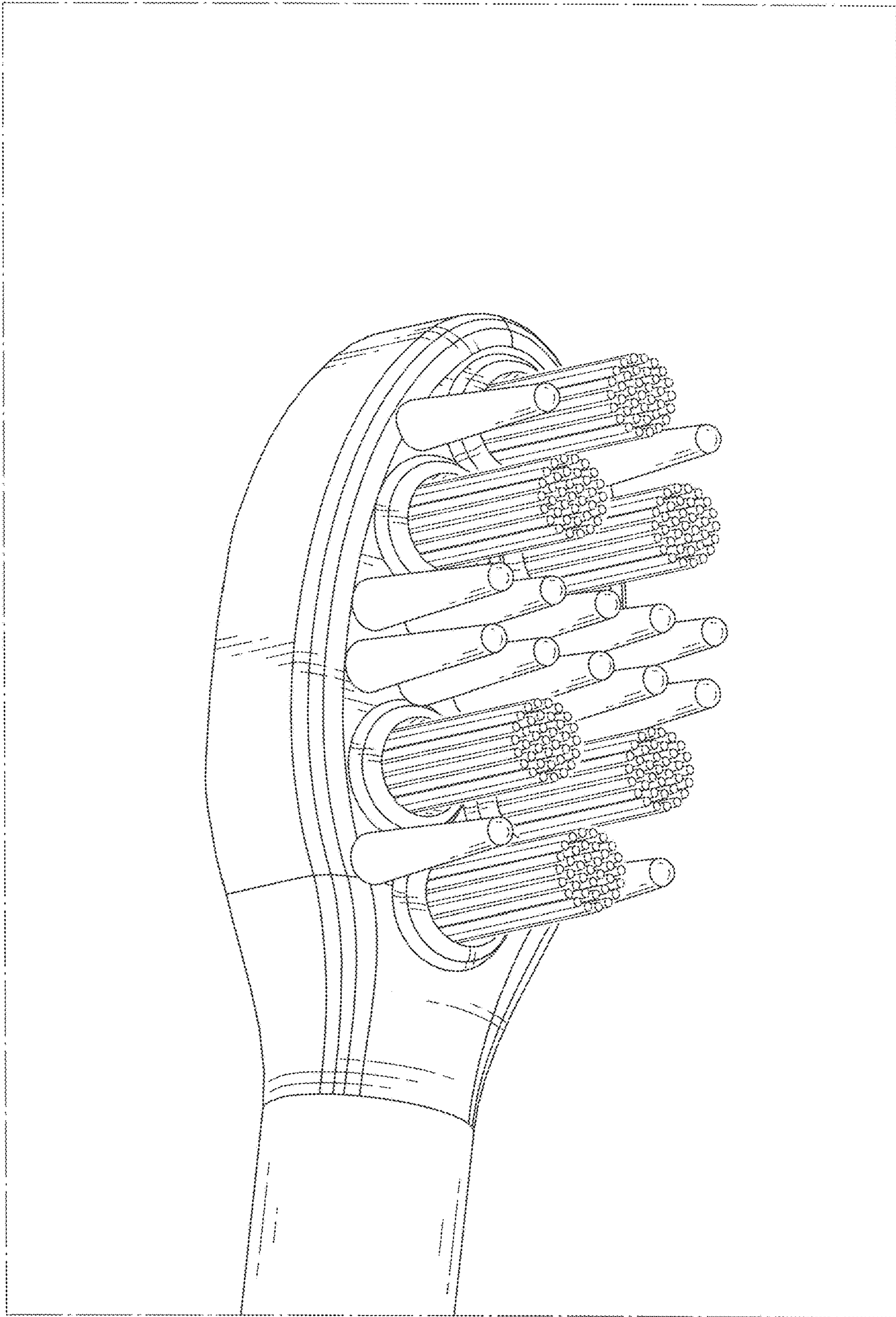


FIG. 9

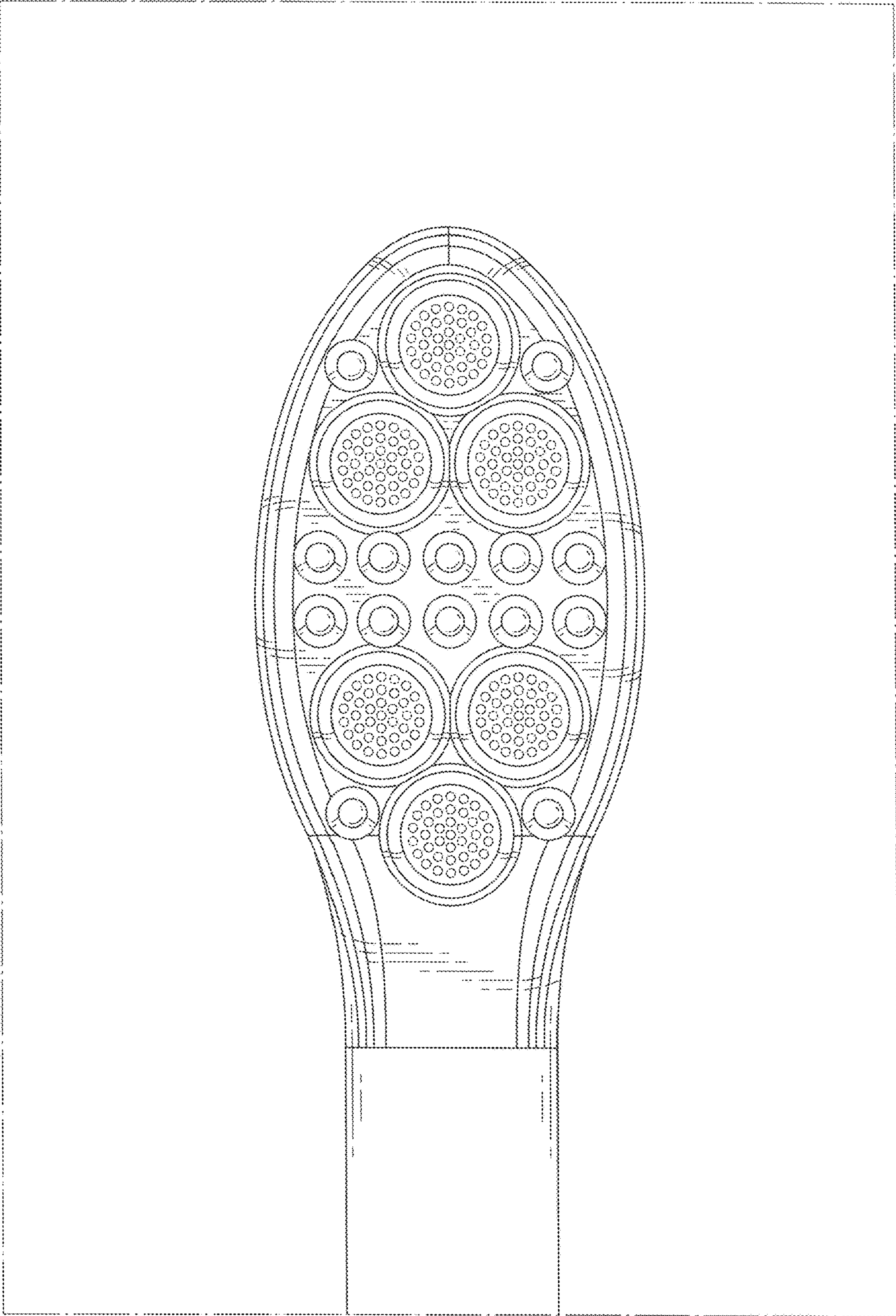


FIG. 10

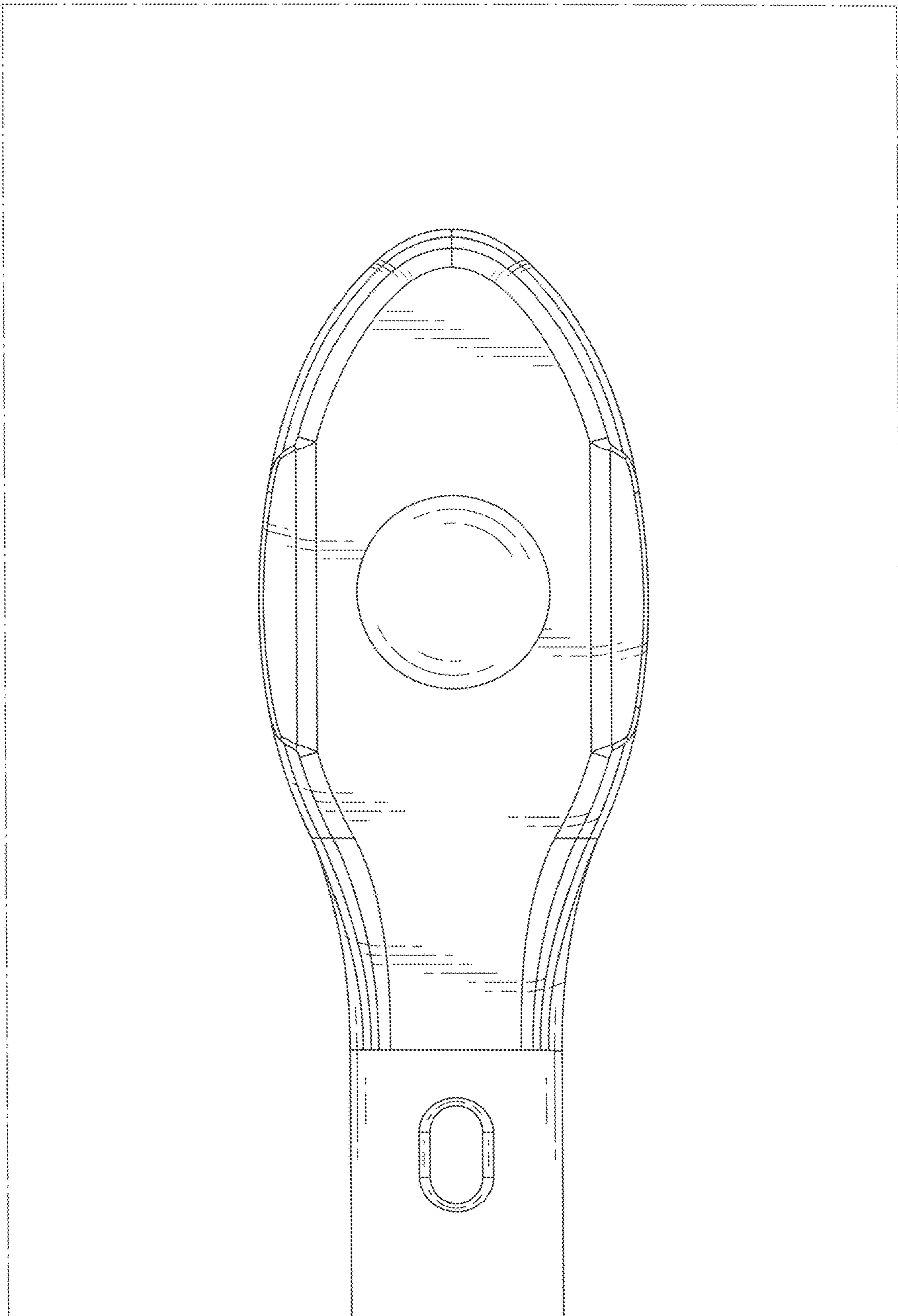


FIG. 11

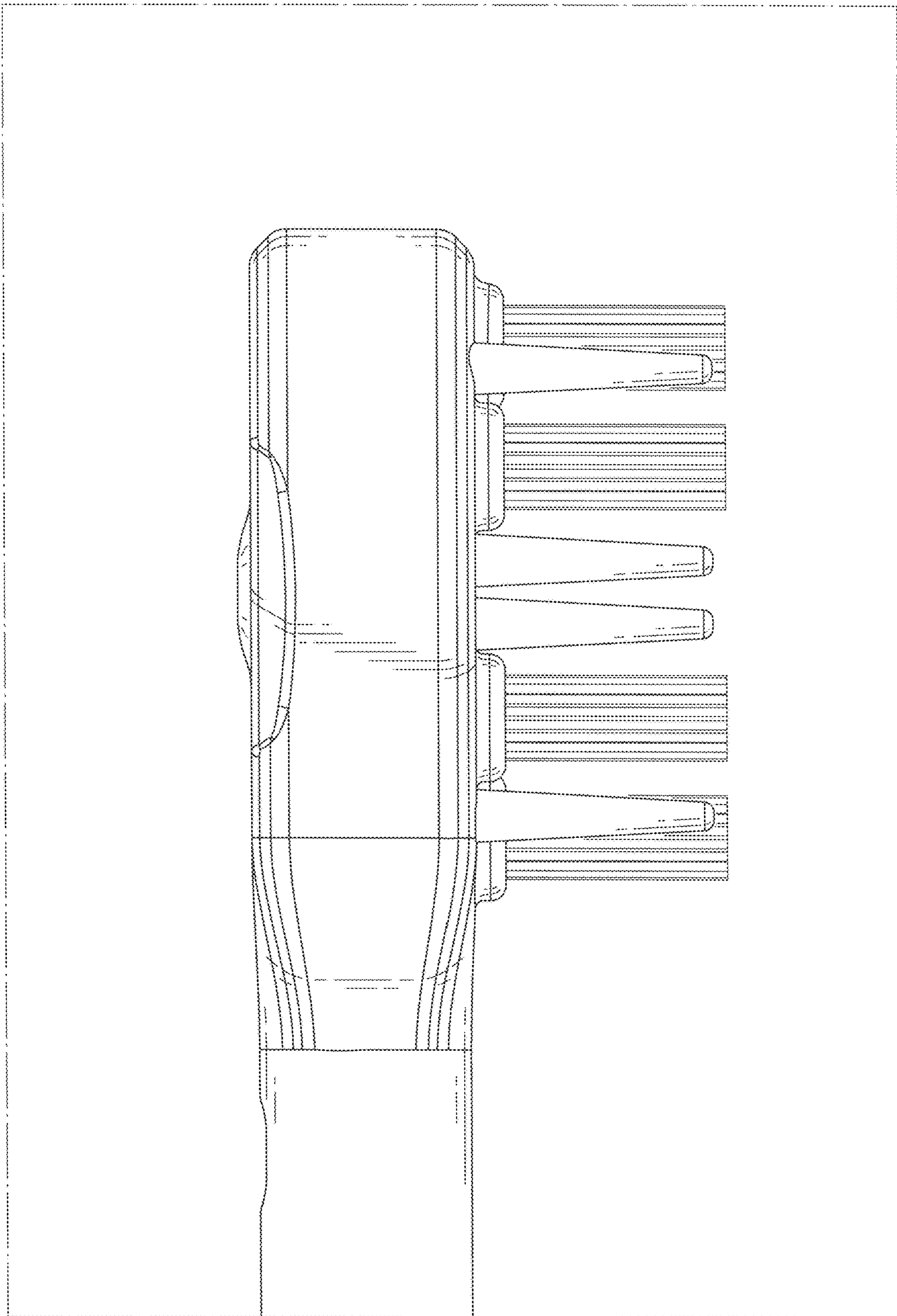


FIG. 12

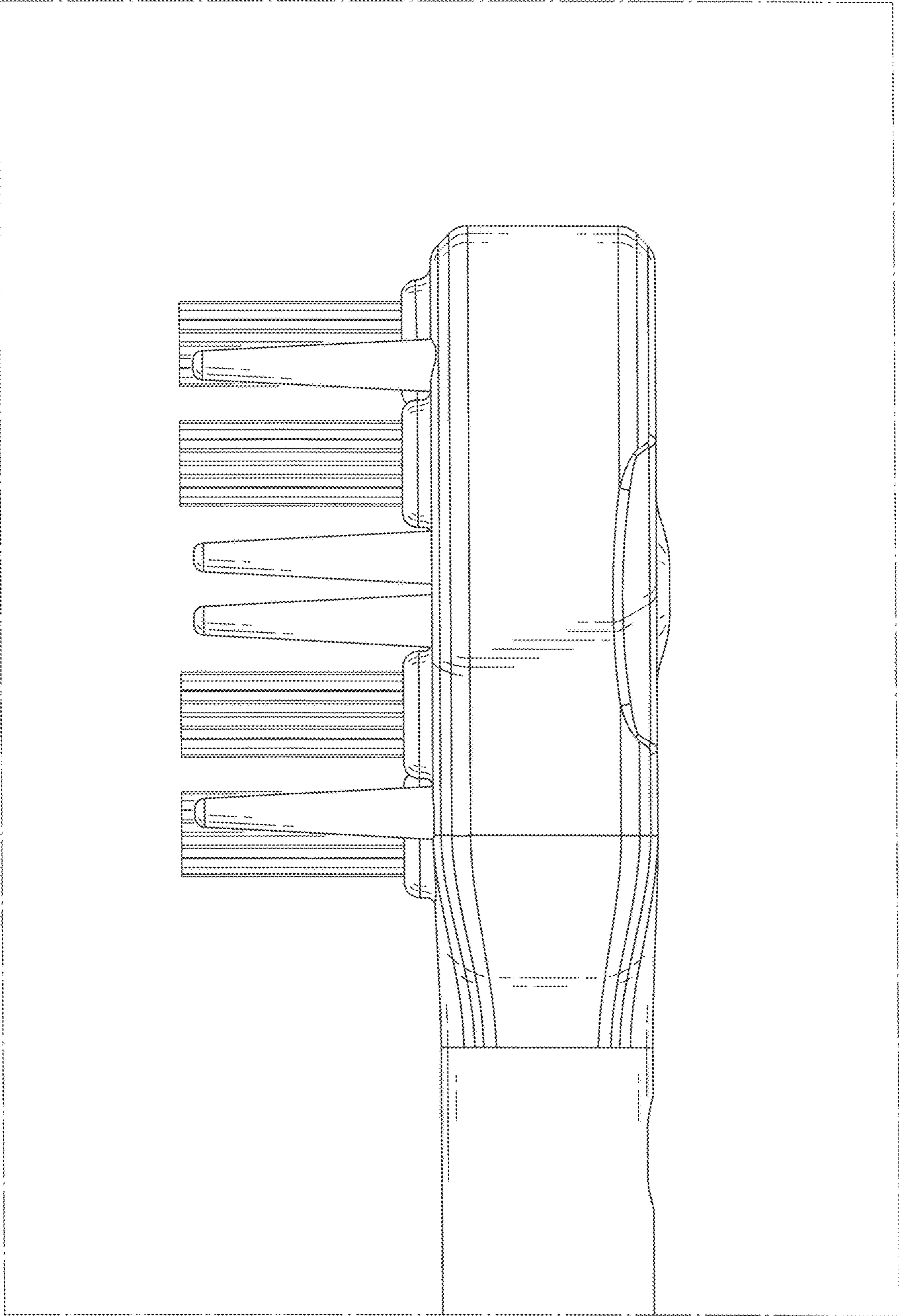


FIG. 13

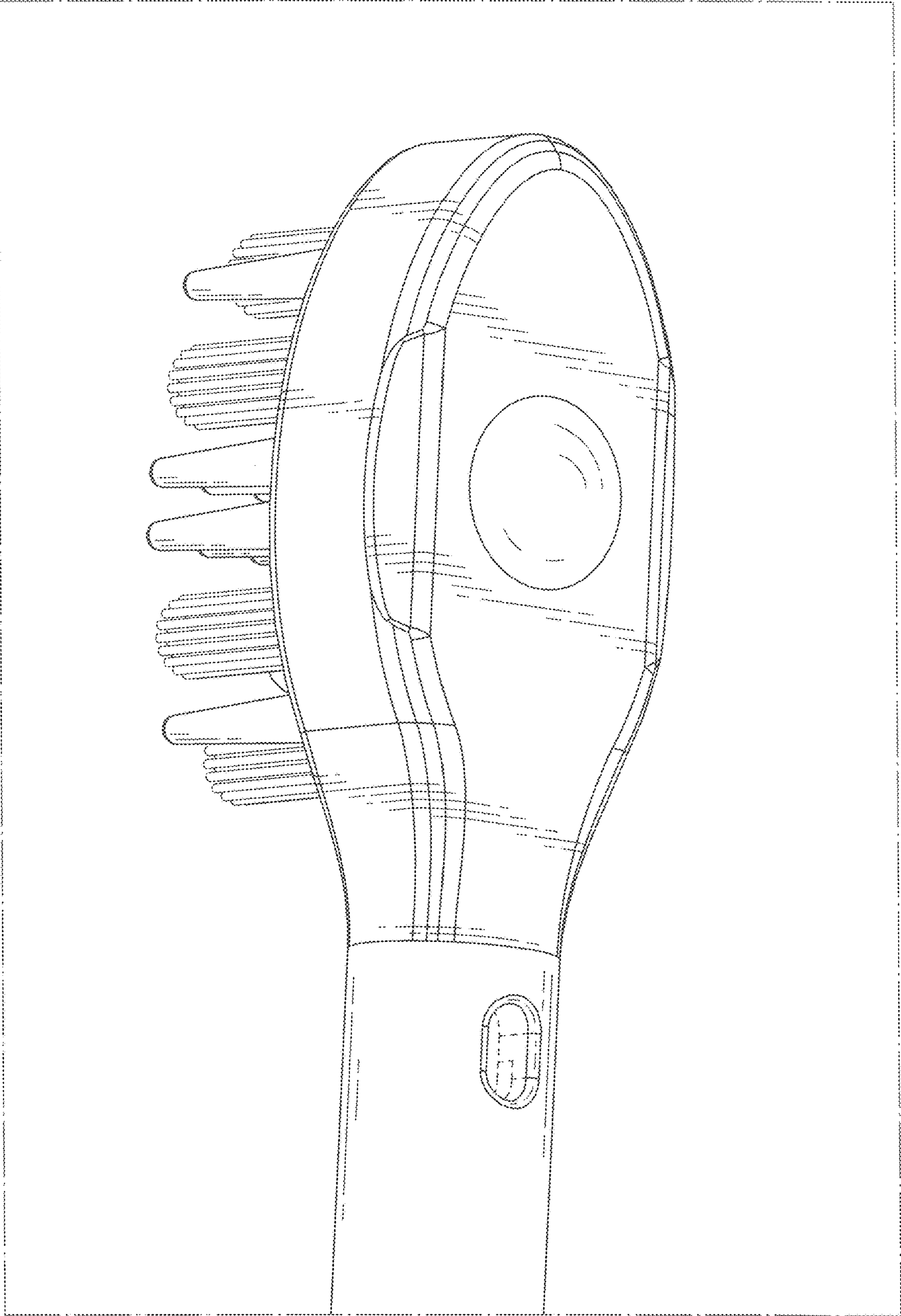


FIG. 14