



US00D933959S

(12) **United States Design Patent** (10) **Patent No.:** **US D933,959 S**
Xu (45) **Date of Patent:** **** Oct. 26, 2021**

(54) **ELECTRIC TOOTHBRUSH**
(71) Applicant: **Shenzhen Libai Technology Co., Ltd.**,
Shenzhen (CN)
(72) Inventor: **Ting Xu**, Shenzhen (CN)
(**) Term: **15 Years**
(21) Appl. No.: **29/703,693**
(22) Filed: **Aug. 29, 2019**
(51) **LOC (13) Cl.** **04-02**
(52) **U.S. Cl.**
USPC **D4/101**
(58) **Field of Classification Search**
USPC D4/100–113, 127, 128, 136, 137, 138,
D4/199; D24/152, 176
CPC A46B 2200/1066; A46B 5/02; A46B 9/04;
A46B 15/0071; A61C 17/16; A61C
17/221; A61C 17/222
See application file for complete search history.

JP D1419507 * 7/2011
JP D1419789 * 8/2011
JP D1420417 * 8/2011
JP D1432095 * 1/2012

(Continued)

OTHER PUBLICATIONS

Oday Sonic Electric Toothbrush for Adults, online, No postdate,
URL: <https://www.odaytoothbrush.com/electric-toothbrush/sonic-electric-toothbrush/sonic-electric-toothbrush-for-adults.html>, retrieved
Mar. 9, 2021.*

Primary Examiner — Rebekah A Caruso

(57) **CLAIM**

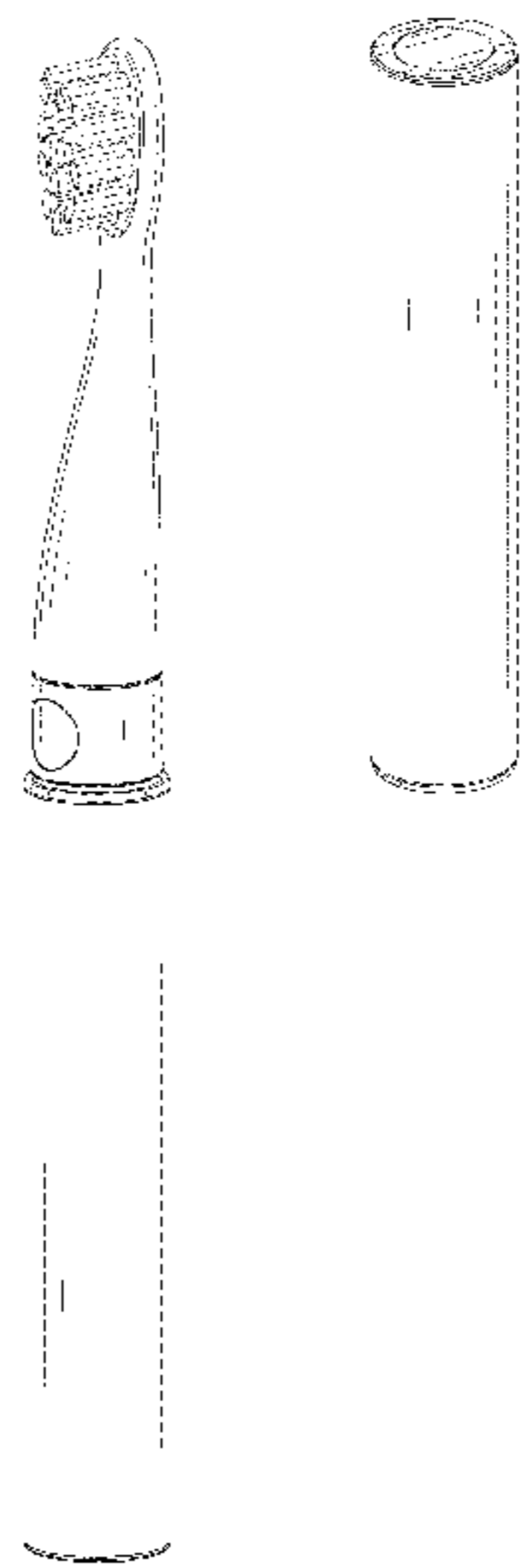
The ornamental design for an electric toothbrush, as shown
and described.

DESCRIPTION

FIG. 1 is a front, top right side perspective view of the
electric toothbrush showing the claimed new design;
FIG. 2 is a rear bottom left side perspective view;
FIG. 3 is a front elevational view thereof;
FIG. 4 is a rear elevational view thereof;
FIG. 5 is a left side elevational view thereof;
FIG. 6 is a right side elevational view thereof;
FIG. 7 is a top plan view thereof;
FIG. 8 is a bottom plan view thereof;
FIG. 9 is a perspective view of the electric toothbrush when
not in use and closed; and,
FIG. 10 is a perspective view of the electric toothbrush when
it is open for use.
The broken lines immediately adjacent to the shaded por-
tions are boundaries of the design all other broken lines are
environmental structure. All of the broken lines form no part
of the claimed design.

- (56) **References Cited**
- U.S. PATENT DOCUMENTS
- | | | | | | |
|------------|---|---------|----------|-------|--------|
| D303,733 S | * | 10/1989 | Benichou | | D4/108 |
| D687,226 S | * | 8/2013 | Doumoto | | D4/101 |
| D688,872 S | * | 9/2013 | Domoto | | D4/101 |
| D688,873 S | * | 9/2013 | Domoto | | D4/101 |
| D688,874 S | * | 9/2013 | Domoto | | D4/101 |
| D689,697 S | * | 9/2013 | Doumoto | | D4/101 |
| D710,110 S | * | 8/2014 | Miller | | D4/108 |
| D743,173 S | * | 11/2015 | Sohn | | D4/101 |
| D778,061 S | * | 2/2017 | Fretwell | | D4/108 |
| D824,175 S | * | 7/2018 | Yan | | D4/101 |
| D850,112 S | * | 6/2019 | Wang | | D4/101 |
| D864,575 S | * | 10/2019 | Meng | | D4/101 |
| D866,980 S | * | 11/2019 | Manhas | | D4/101 |
| D895,295 S | * | 9/2020 | Xu | | D4/101 |
- FOREIGN PATENT DOCUMENTS
- | | | | |
|----|-----------|---|---------|
| CN | 301650229 | * | 8/2011 |
| JP | D1400004 | * | 11/2010 |
| JP | D1415216 | * | 6/2011 |

1 Claim, 10 Drawing Sheets



(56)

References Cited

FOREIGN PATENT DOCUMENTS

JP	D1443833	*	6/2012
JP	D1449771	*	8/2012
JP	D1452967	*	10/2012
JP	D1478106	*	9/2013

* cited by examiner

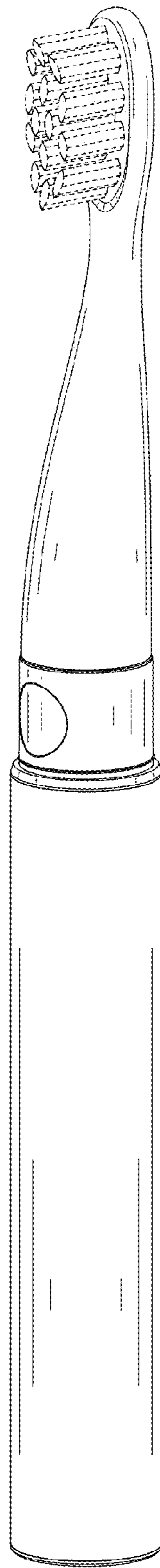


FIG. 1

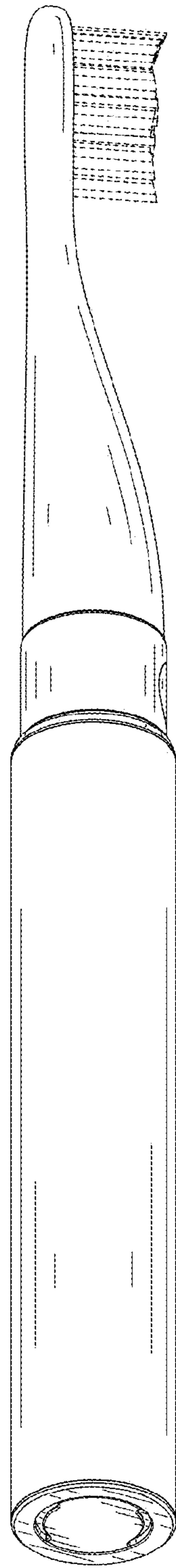


FIG. 2

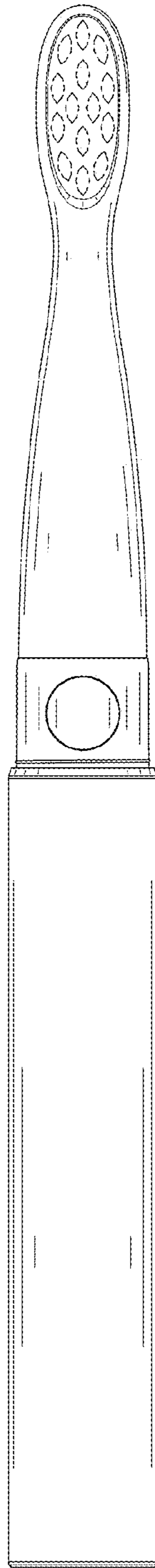


FIG. 3

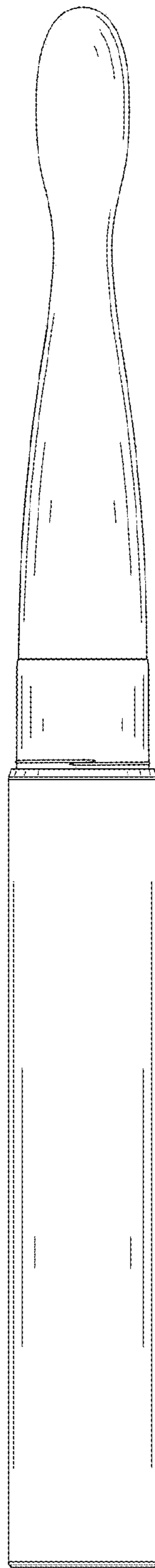


FIG. 4

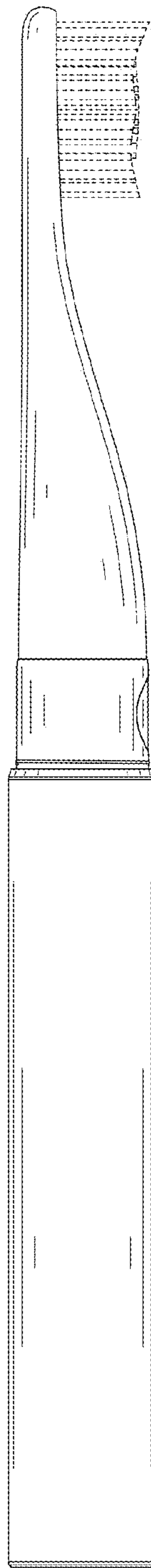


FIG. 5

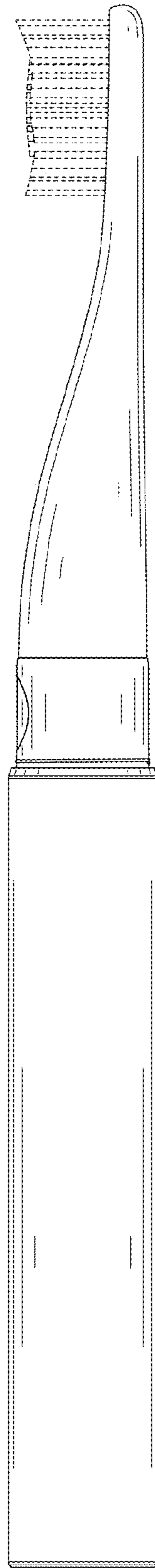


FIG. 6

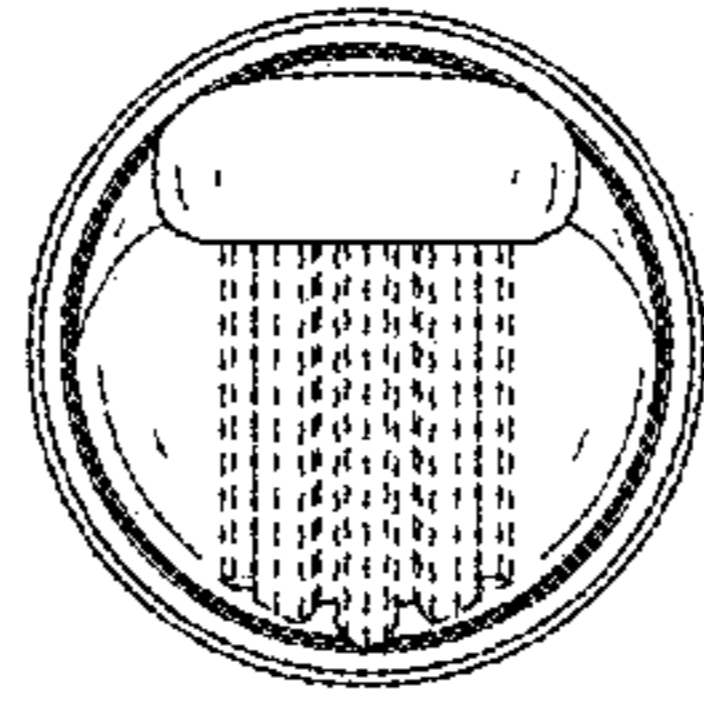


FIG. 7

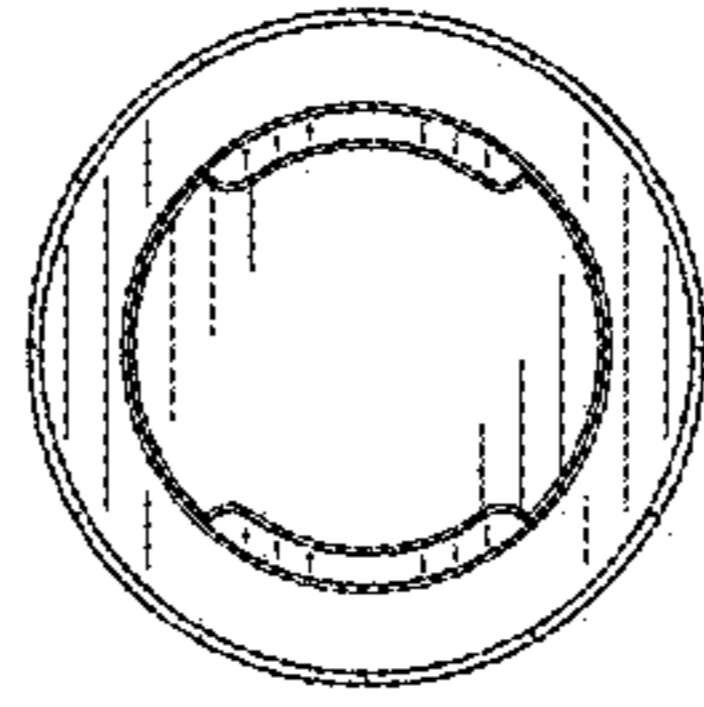


FIG.8

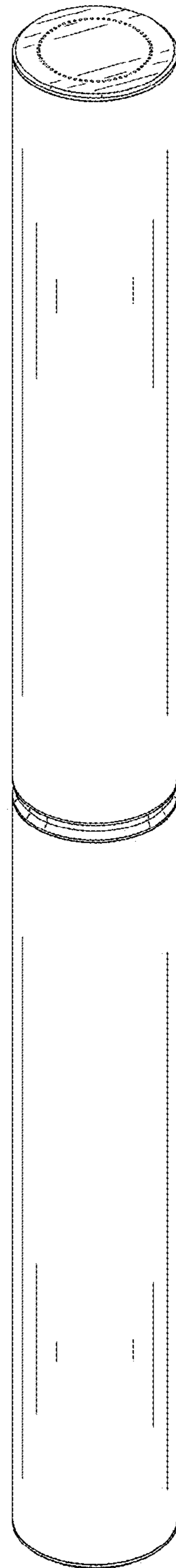


FIG.9

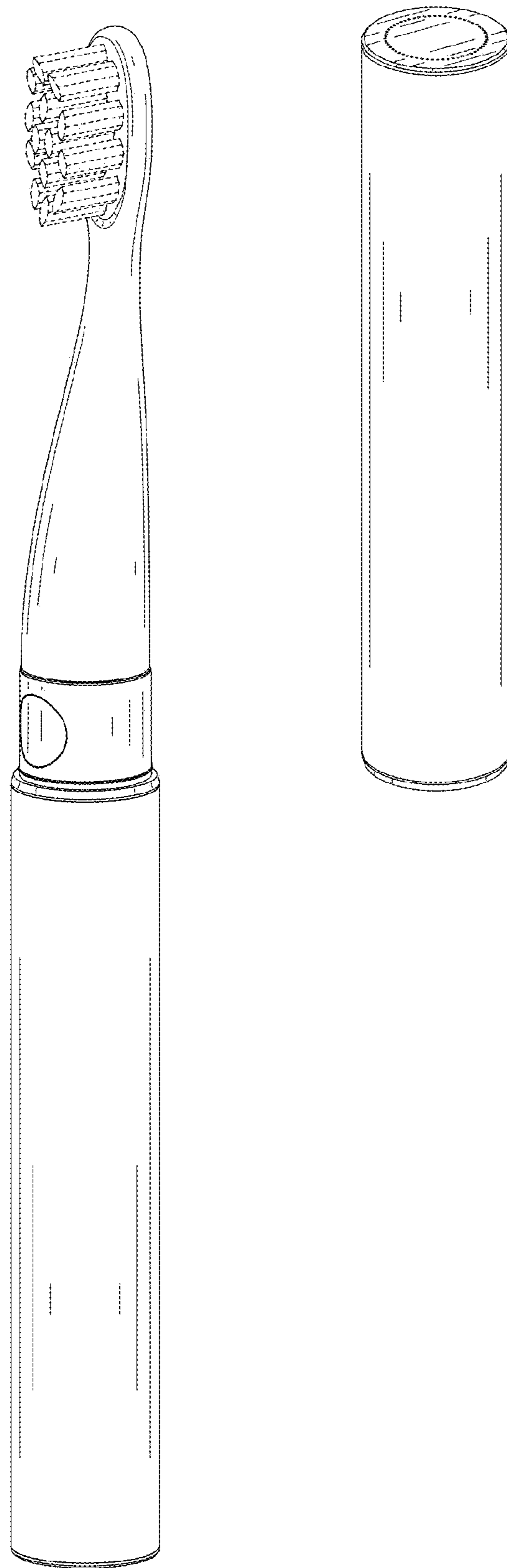


FIG.10