



US00D933958S

(12) **United States Design Patent** (10) **Patent No.:** **US D933,958 S**
Ji (45) **Date of Patent:** **** Oct. 26, 2021**

(54) **FACIAL CLEANSING BRUSH**

FOREIGN PATENT DOCUMENTS

(71) Applicant: **Zongqing Ji**, Guangdong (CN)

CN 3043400 * 4/1996
CN 302145111 * 10/2012

(72) Inventor: **Zongqing Ji**, Guangdong (CN)

(Continued)

(**) Term: **15 Years**

Primary Examiner — Karen E Eldridge Powers

(74) *Attorney, Agent, or Firm* — ScienBiziP, P.C.

(21) Appl. No.: **29/755,629**

(22) Filed: **Oct. 21, 2020**

(57) **CLAIM**

(30) **Foreign Application Priority Data**

The ornamental design for a facial cleansing brush, as shown and described.

Apr. 24, 2020 (CN) 202030175988.1

(51) **LOC (13) Cl.** **28-03**

(52) **U.S. Cl.**

USPC **D4/100**; D4/102; D4/127; D4/134

(58) **Field of Classification Search**

USPC D4/100, 102, 114, 115, 116, 117, 118, D4/119, 120, 121, 122, 123, 124, 125, D4/126, 127, 128, 129, 130, 131, 132, D4/133, 134, 135, 136, 137, 138, 199; D24/214, 215; D28/13, 63, 15, 18, 21, D28/24, 25, 30, 35, 7; D30/158, 159

CPC A46B 5/02; A46B 9/023; A46B 5/0095; A46B 15/0051; A46B 2200/104; A46B 7/06; A46B 7/08; A46B 13/008; A46B 13/02; A46B 2200/1006; A46B 2200/102

See application file for complete search history.

DESCRIPTION

FIG. 1 is a perspective view of a facial cleansing brush, showing my design.

FIG. 2 is a front elevation view thereof.

FIG. 3 is a rear elevation view thereof.

FIG. 4 is a left side elevation thereof.

FIG. 5 is a right side elevation thereof.

FIG. 6 is a top plan view thereof.

FIG. 7 is a bottom plan view thereof.

FIG. 8 is an enlarged view of an area labeled 8 in FIG. 1.

FIG. 9 is an enlarged view of an area labeled 9 in FIG. 2.

FIG. 10 is an enlarged view of an area labeled 10 in FIG. 4.

FIG. 11 is an enlarged view of an area labeled 11 in FIG. 5.

FIG. 12 is an enlarged view of an area labeled 12 in FIG. 6; and,

FIG. 13 is an enlarged view of an area labeled 13 in FIG. 7.

The indicia on the buttons shown in broken lines in FIGS. 1, 2, and 7 depict environmental structure. The circles surrounding the enlarged, detail views and demarking the portions of the figures from which the enlargements were extracted are boundaries. None of the drawing elements shown in broken lines forms a part of the claimed design.

(56) **References Cited**

U.S. PATENT DOCUMENTS

1,372,988 A * 3/1921 Wilson B60S 3/048
427/327

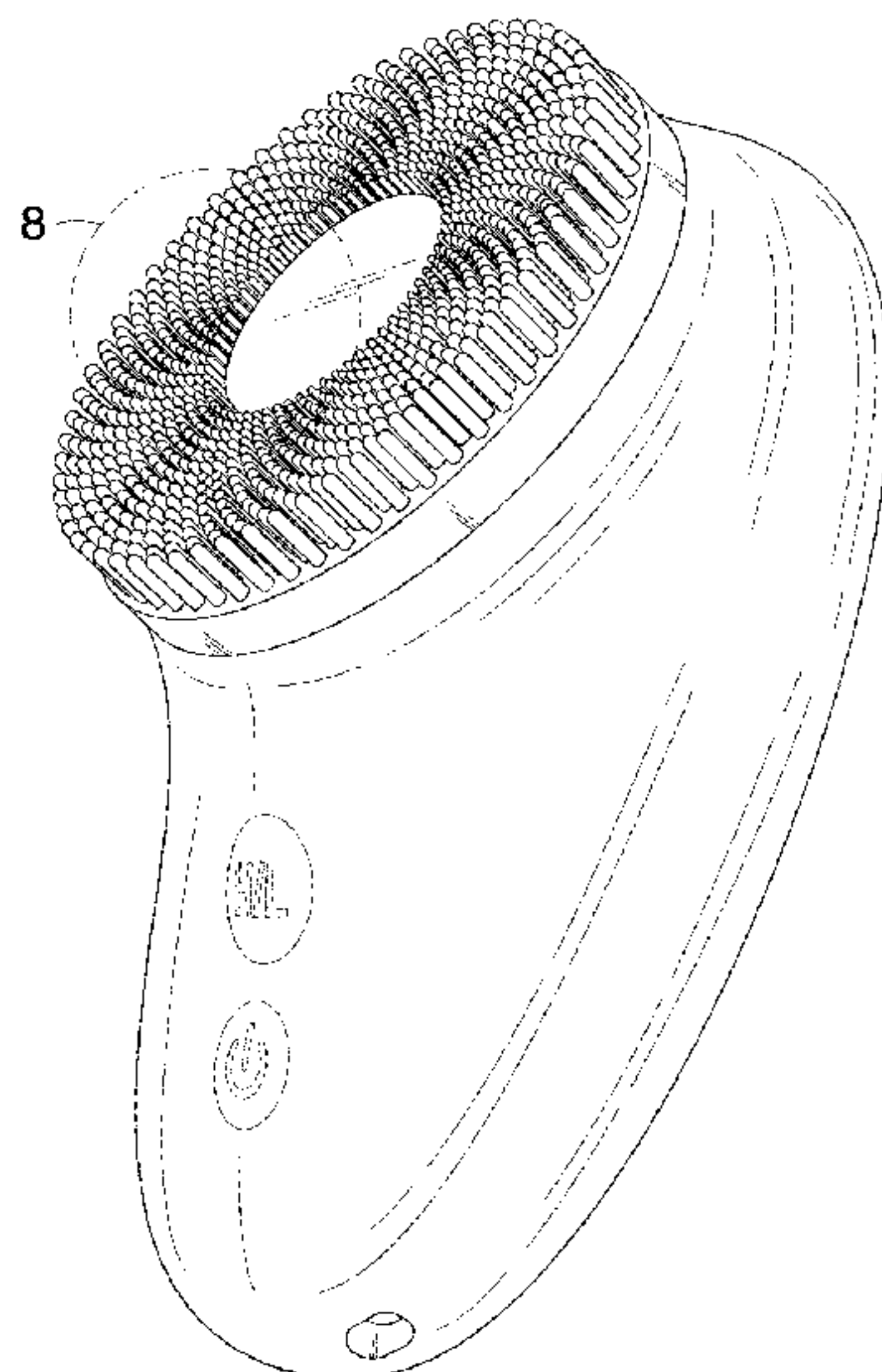
D543,703 S * 6/2007 Hsieh D4/114

7,695,207 B1 * 4/2010 Laghi A46B 11/08
401/2

8,047,736 B2 * 11/2011 Jordan A47L 11/4088
401/284

D728,241 S * 5/2015 Helmbold D4/102
(Continued)

1 Claim, 13 Drawing Sheets



(56)

References Cited

U.S. PATENT DOCUMENTS

D739,145 S * 9/2015 von Berg D4/102
9,272,141 B2 * 3/2016 Nichols A61H 7/005
D773,823 S 12/2016 Wong
9,730,758 B2 * 8/2017 Carlucci A46B 15/0008
D837,994 S * 1/2019 Sedic D24/214
D864,577 S * 10/2019 Keast D4/102
D871,076 S 12/2019 Lee
10,632,976 B2 * 4/2020 Belanger B60S 3/06
D885,063 S * 5/2020 Xiong D4/116
10,702,054 B2 * 7/2020 Rudolph A47L 11/161
D909,762 S * 2/2021 He D4/127
2018/0168913 A1 * 6/2018 Sedic A61H 7/002

FOREIGN PATENT DOCUMENTS

CN 302520813 * 7/2013
CN 302919431 * 8/2014
CN 304446423 * 1/2018
EM 004351419-0001 * 10/2017

* cited by examiner

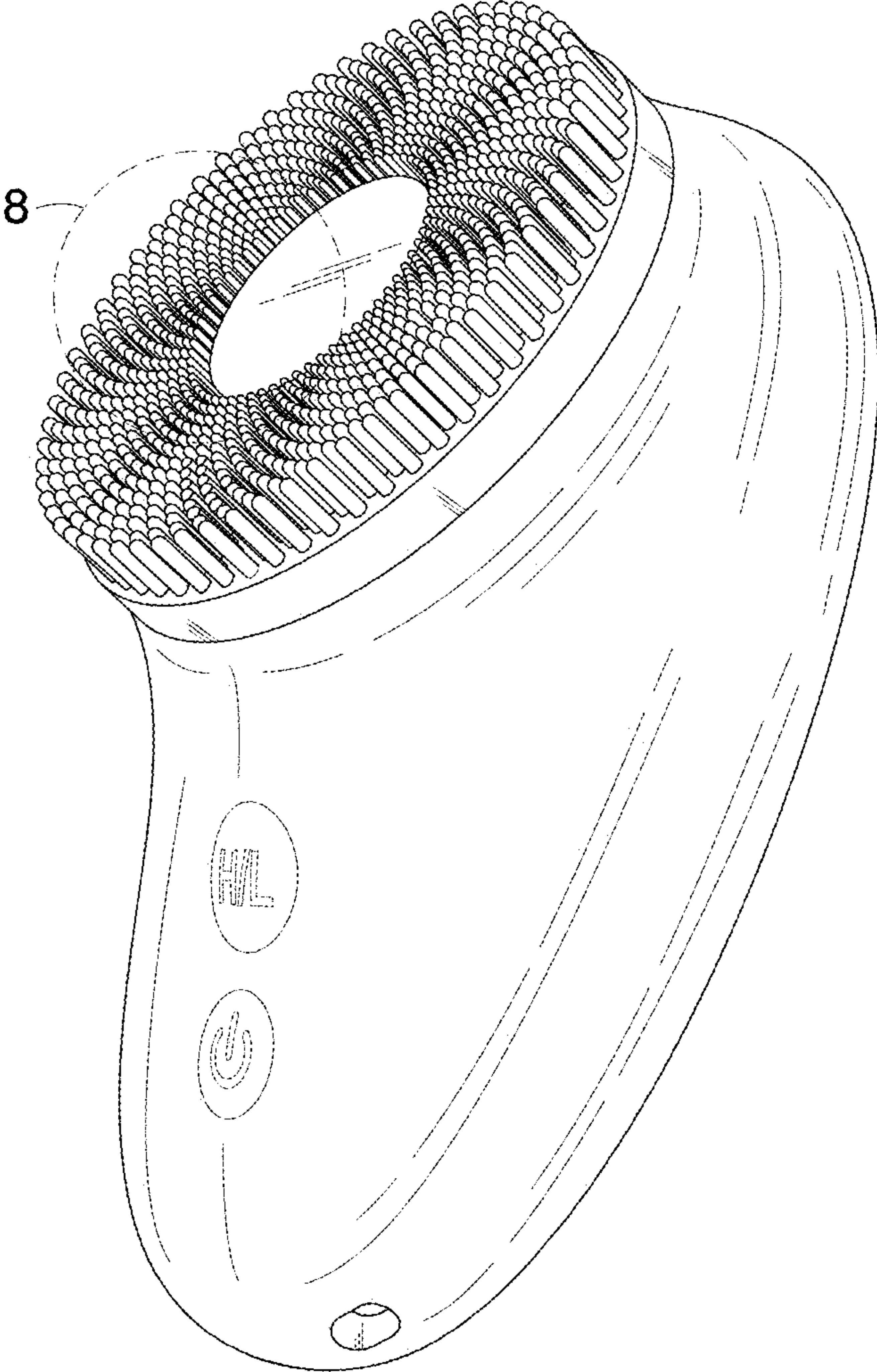


FIG. 1

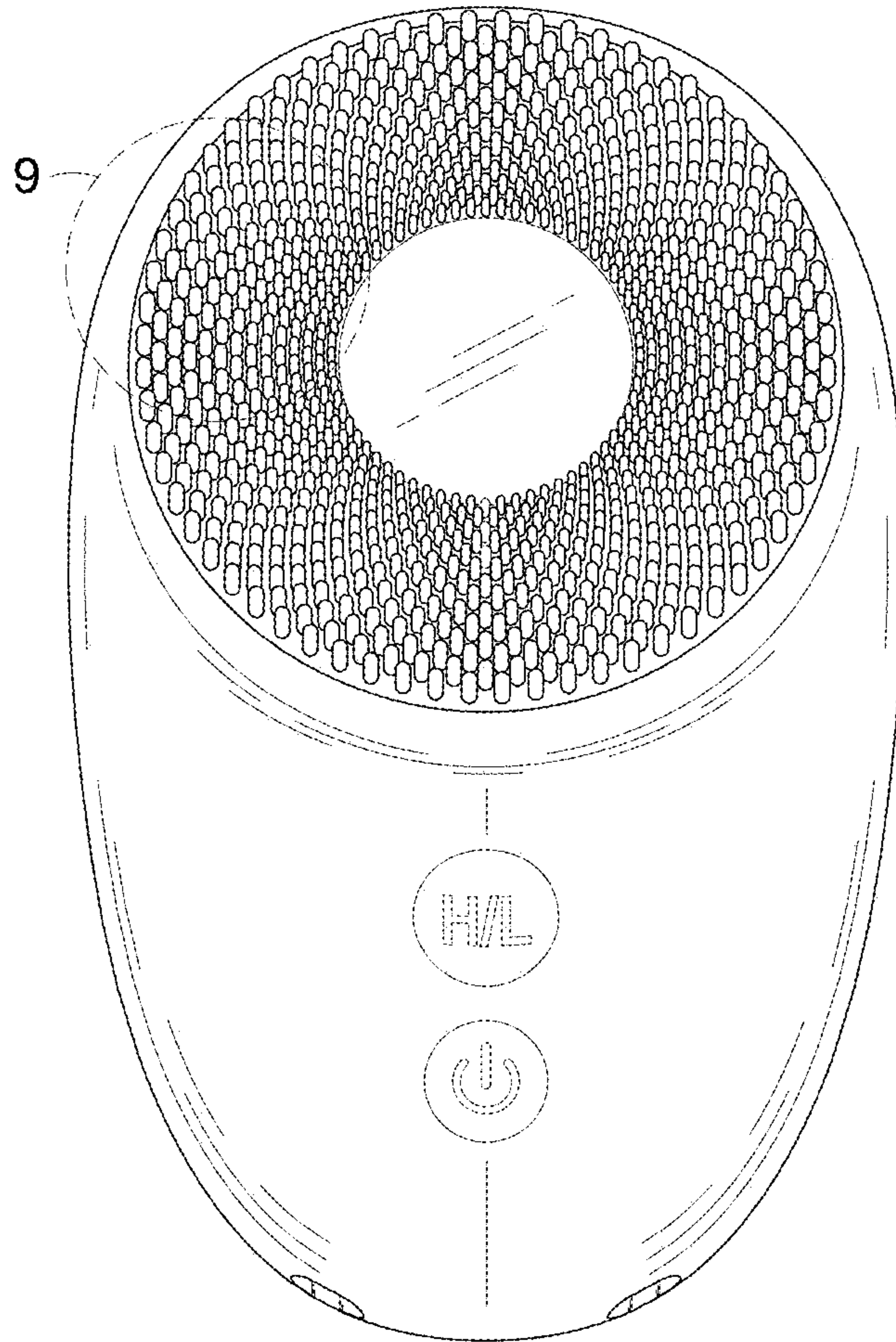


FIG.2

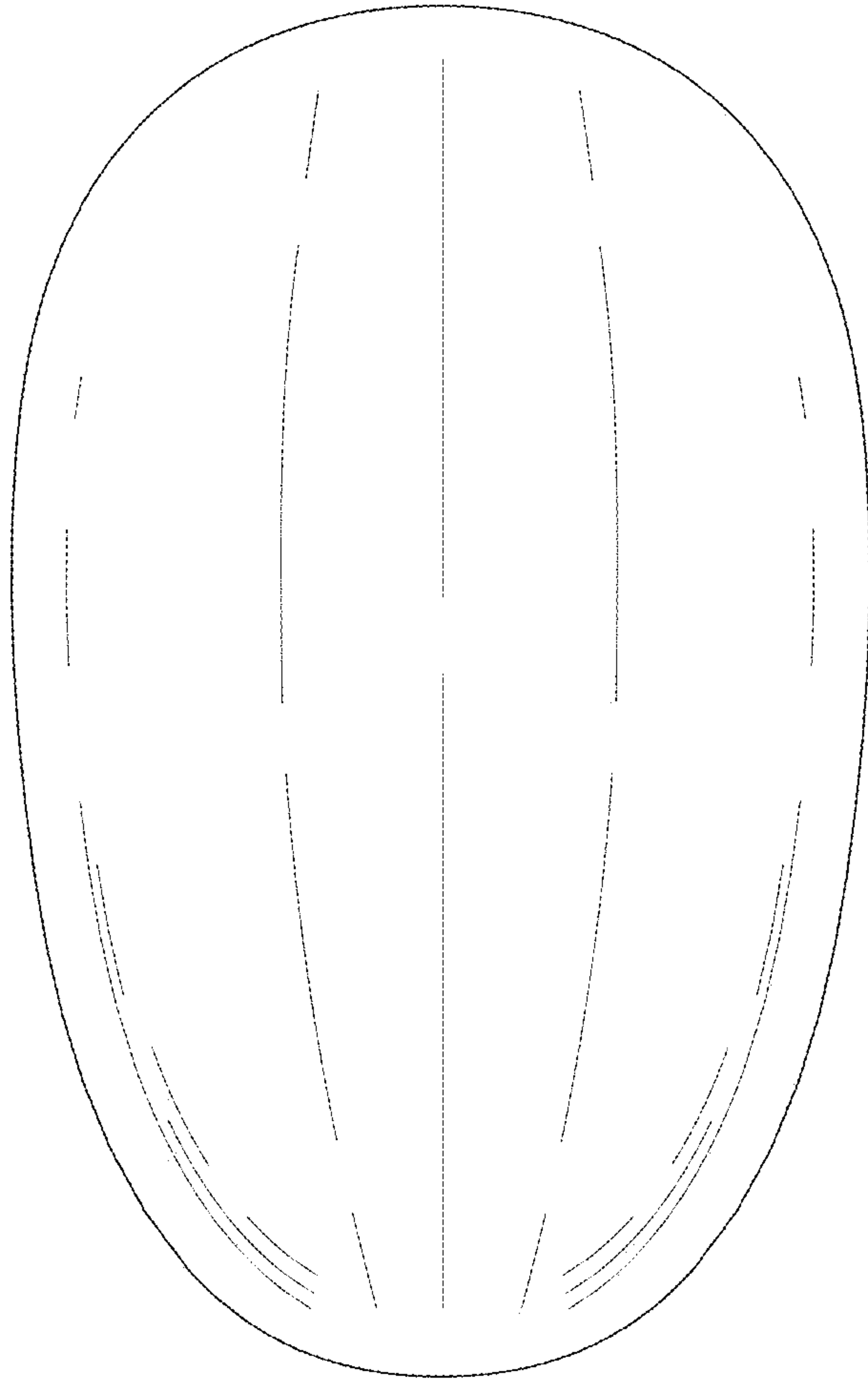


FIG.3

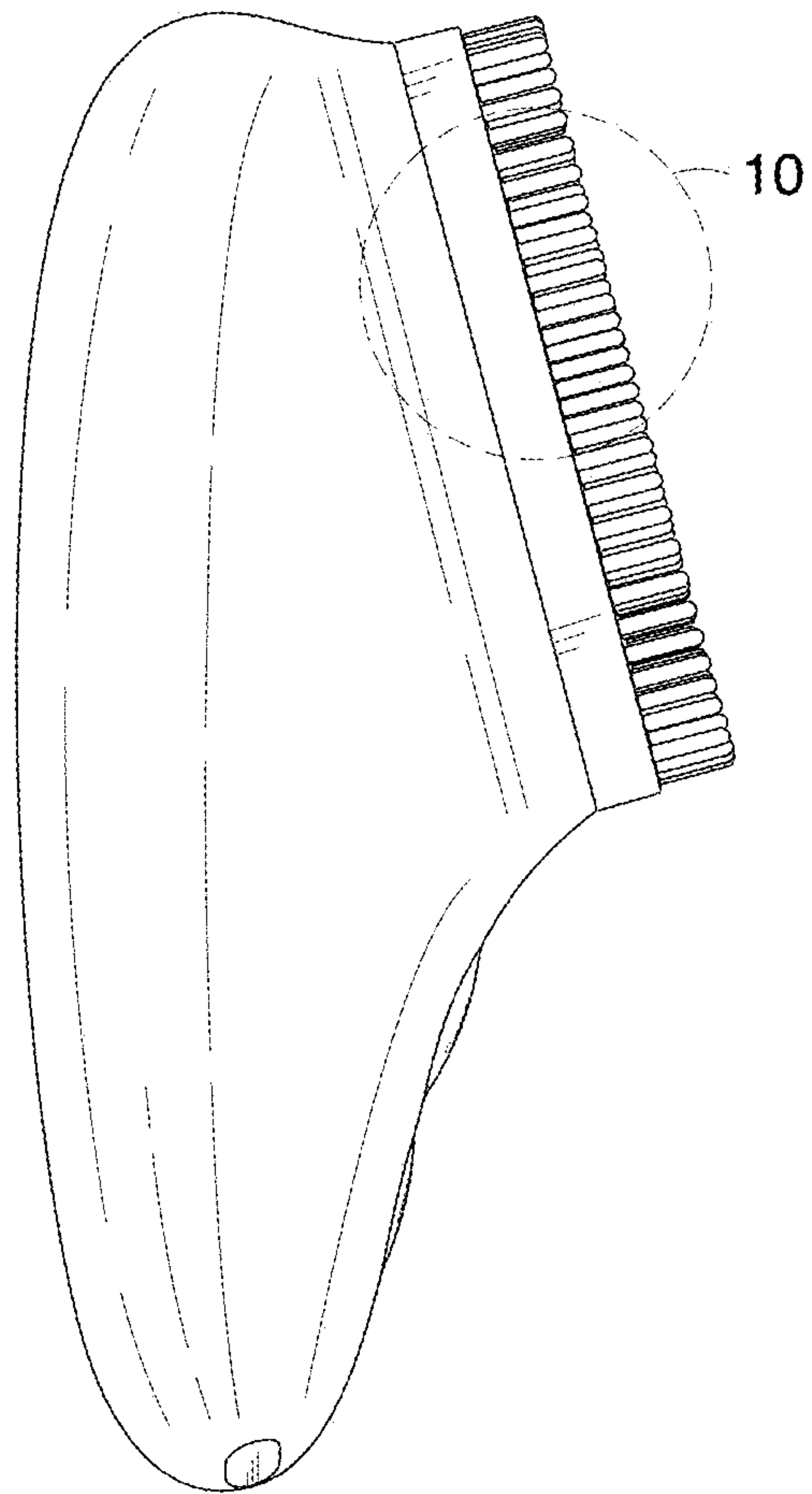


FIG.4

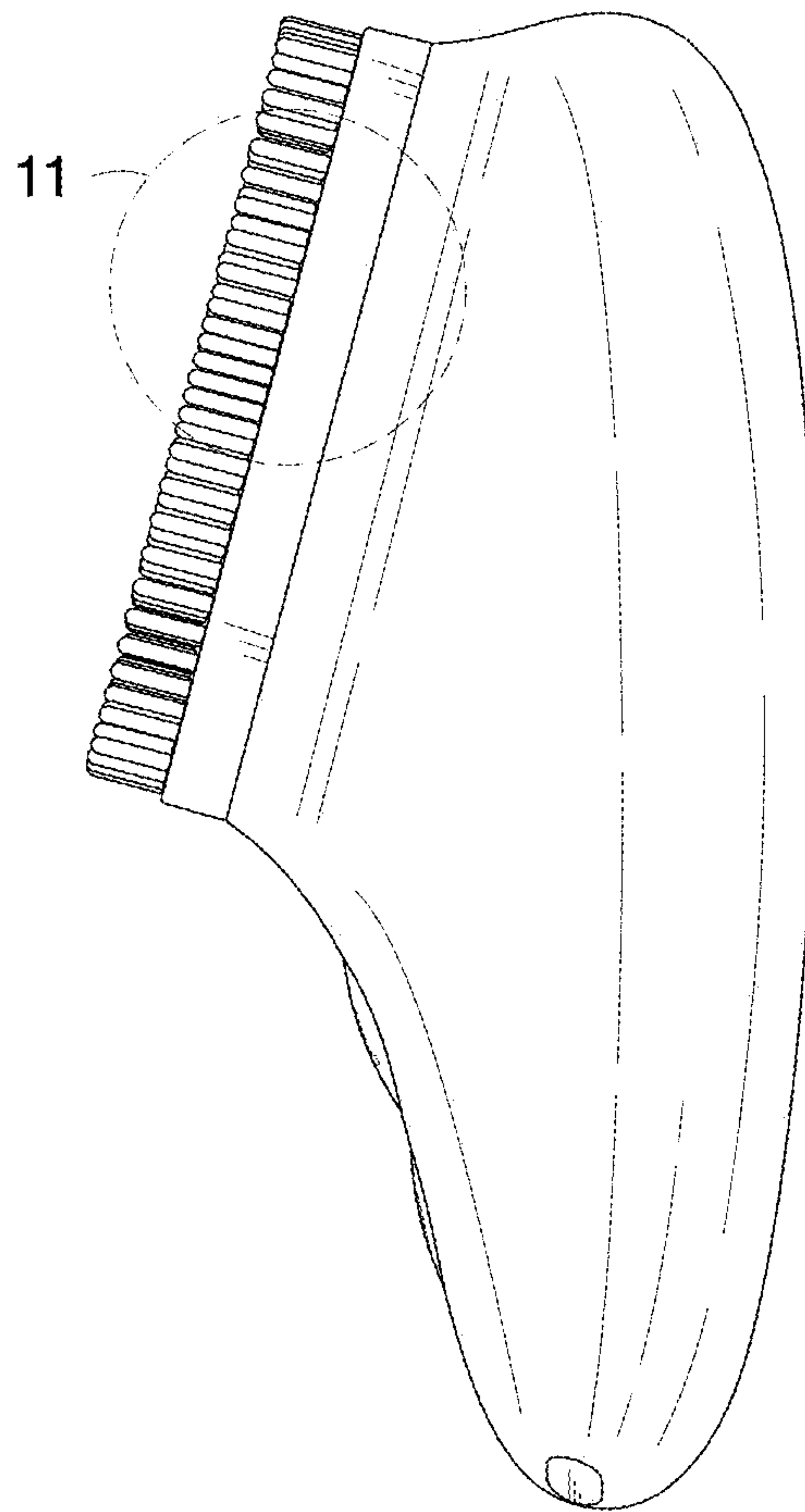


FIG.5

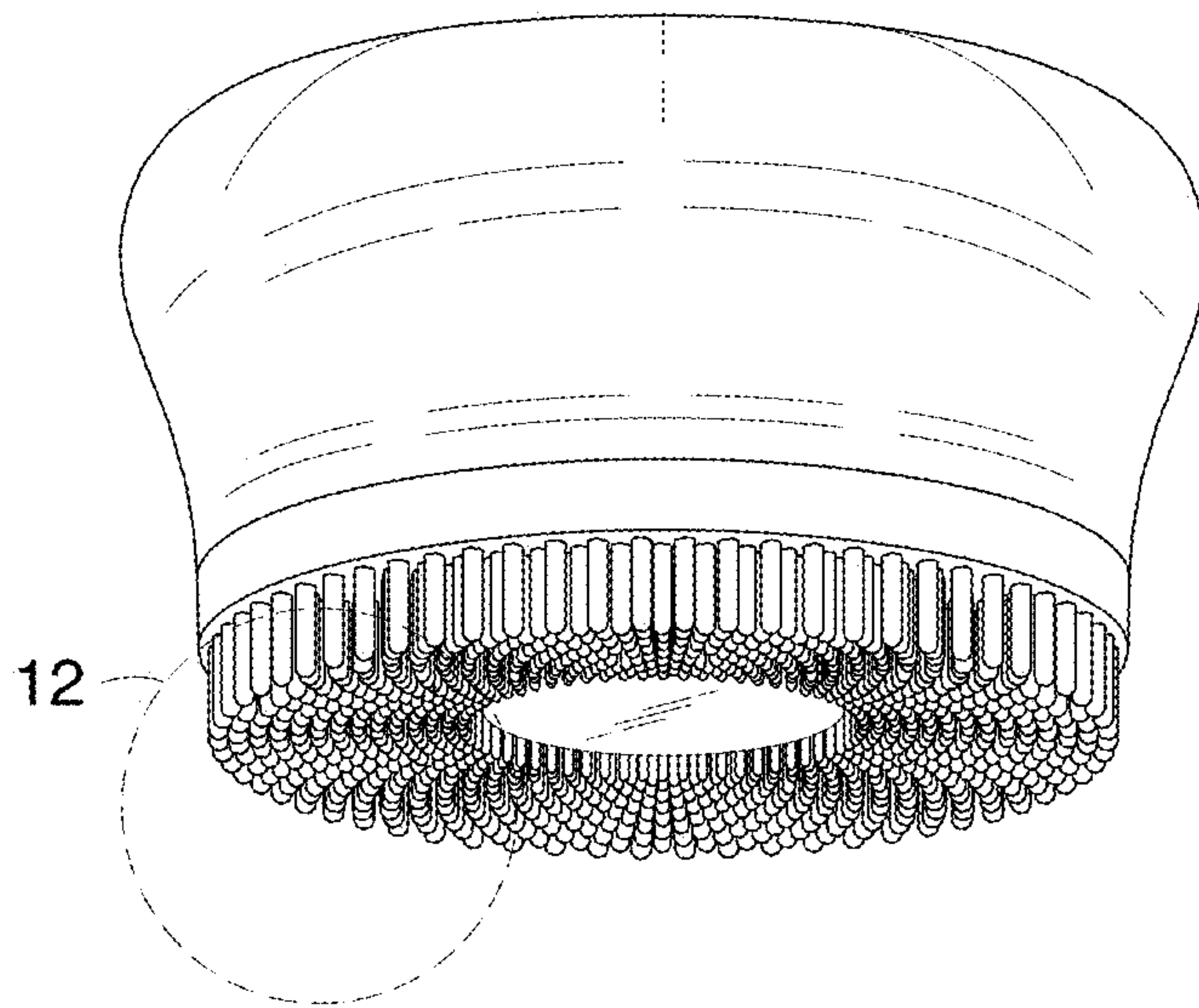


FIG.6

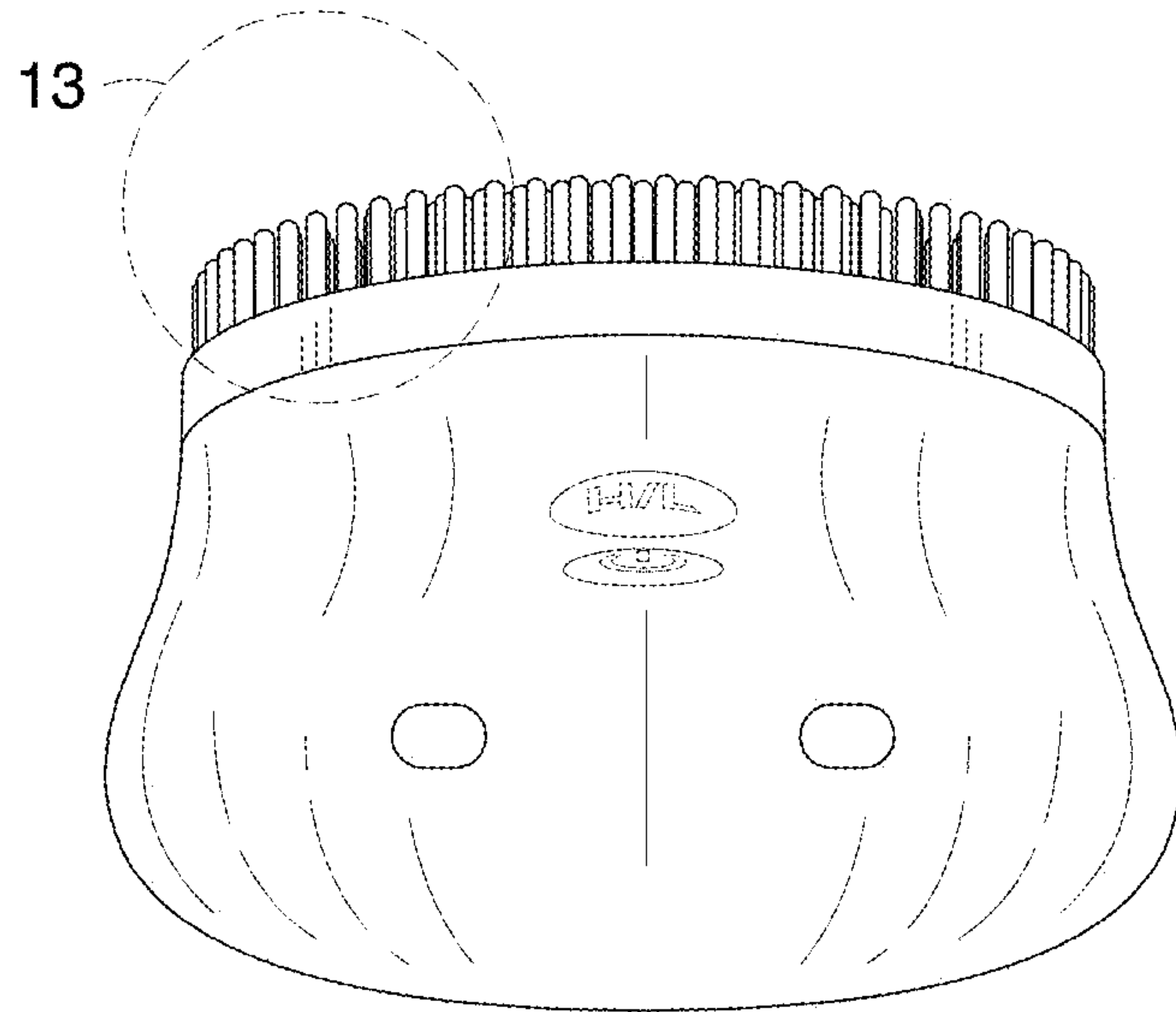


FIG. 7

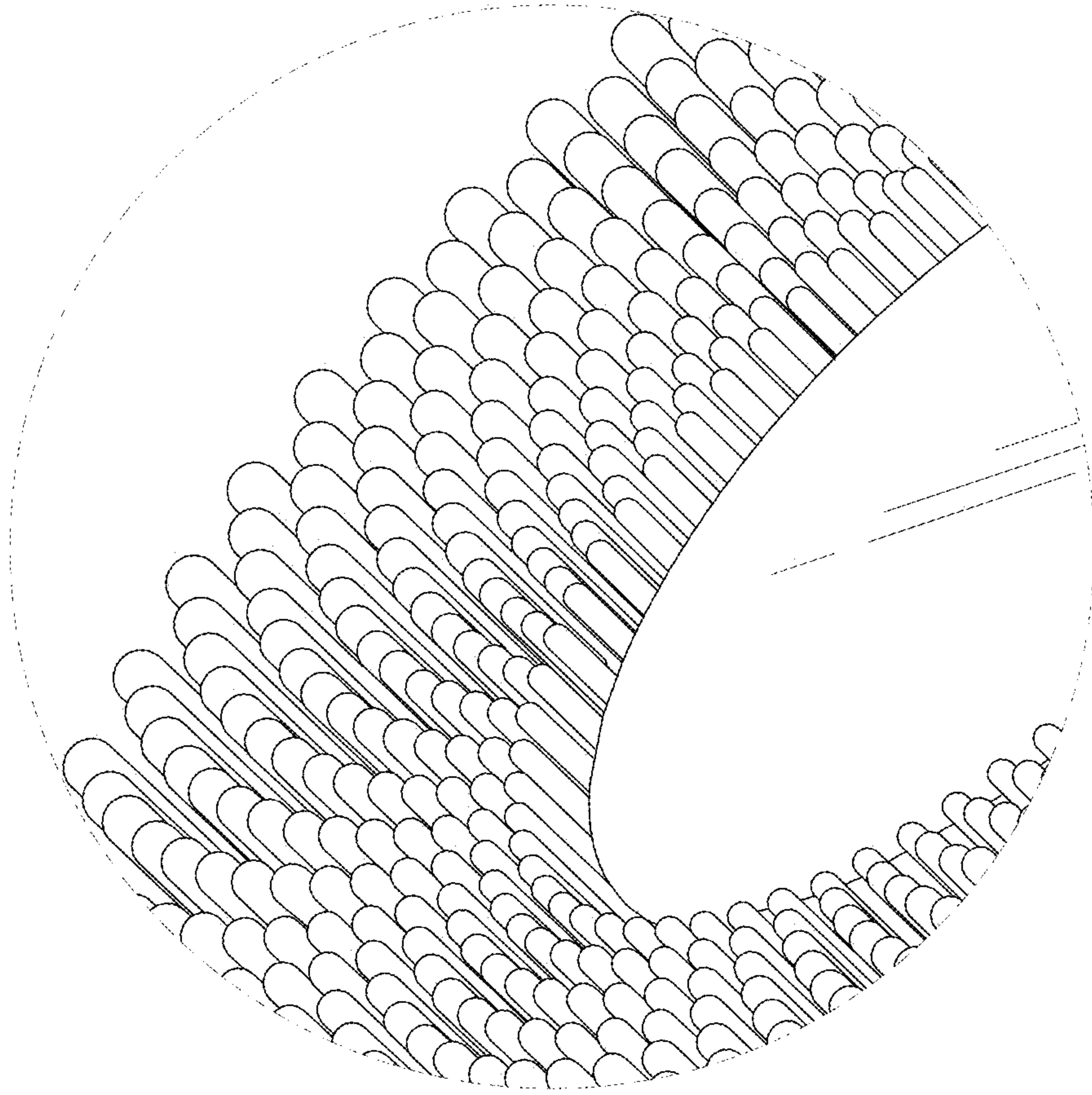


FIG.8

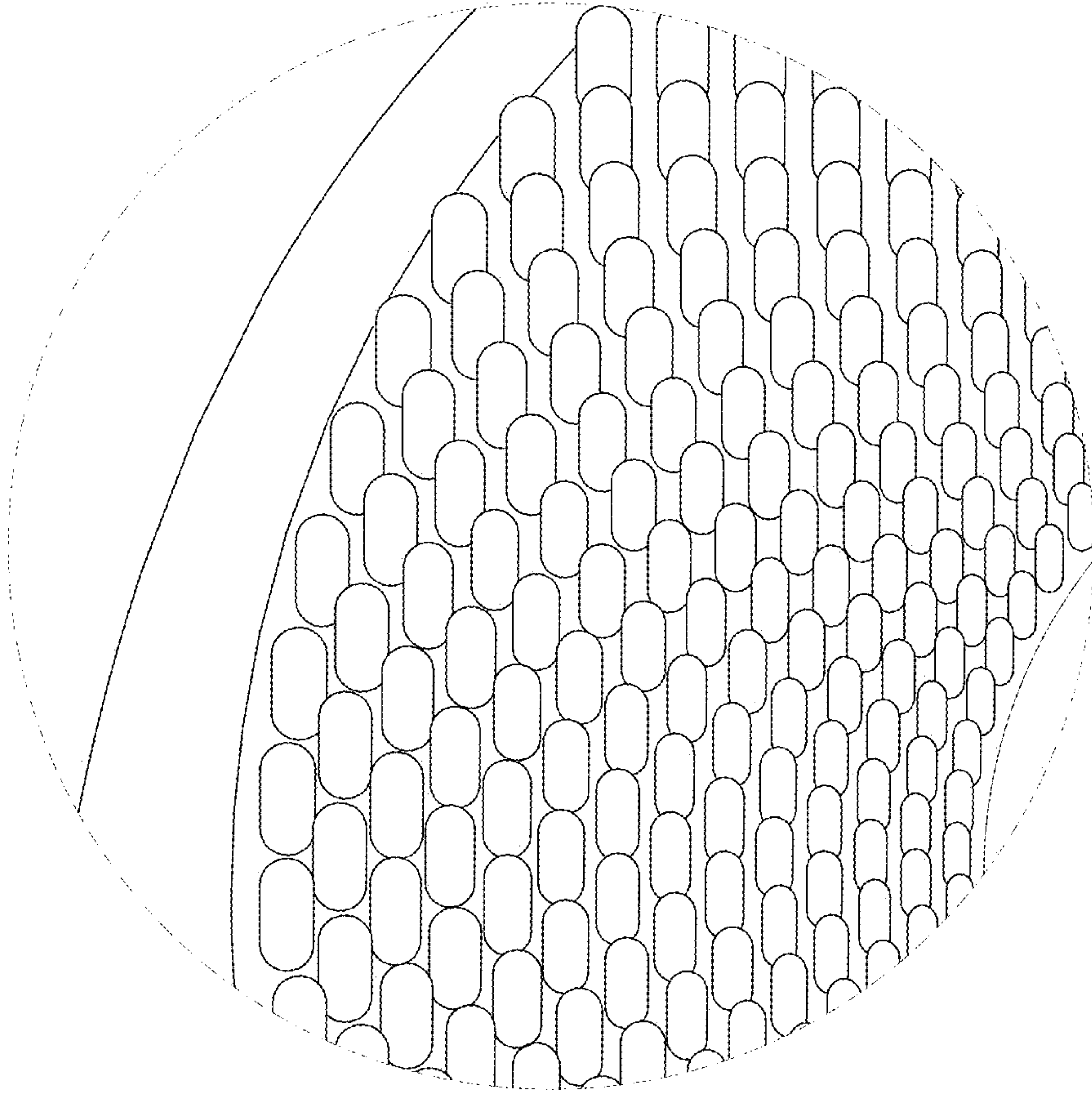


FIG.9

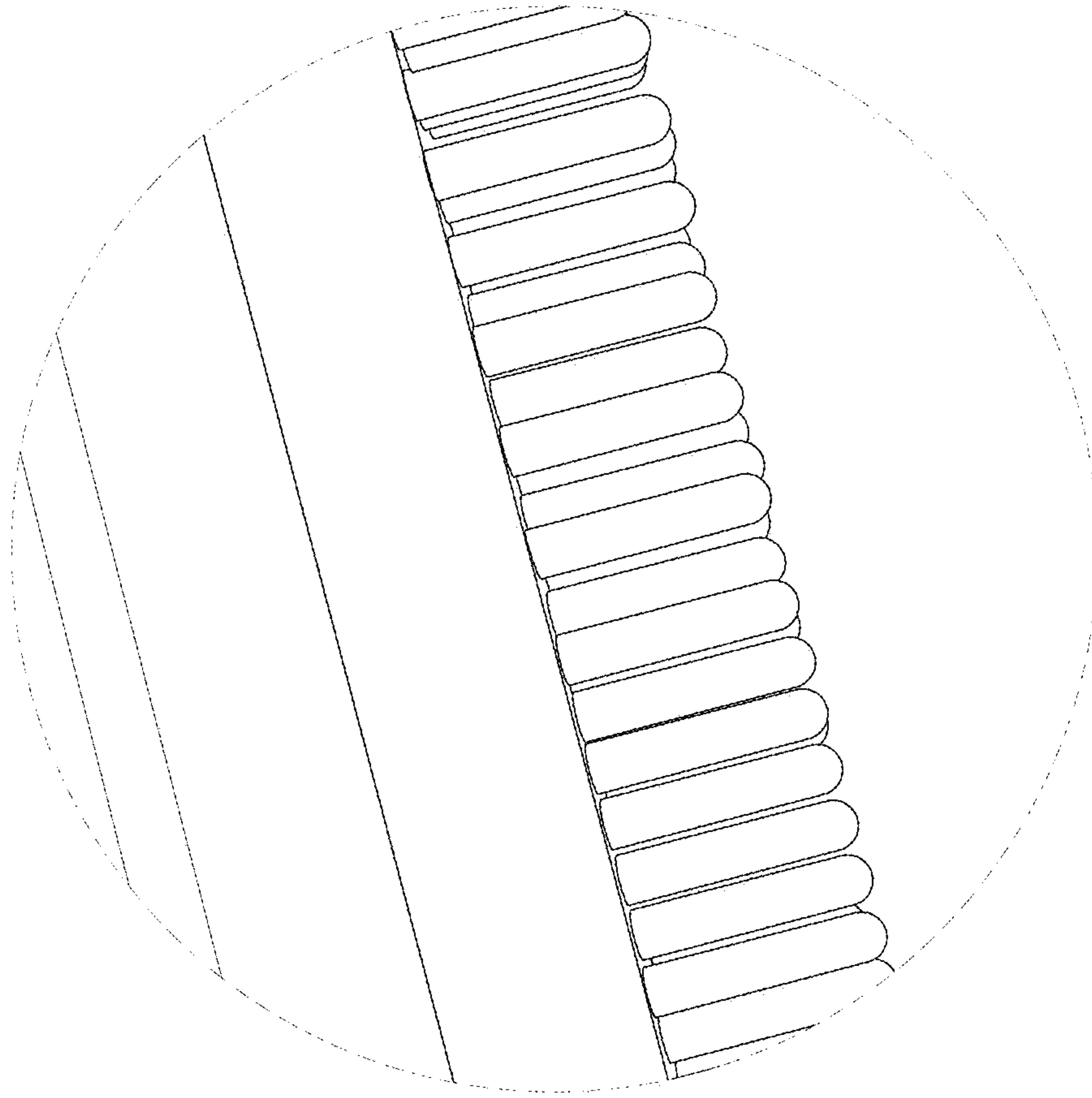


FIG.10

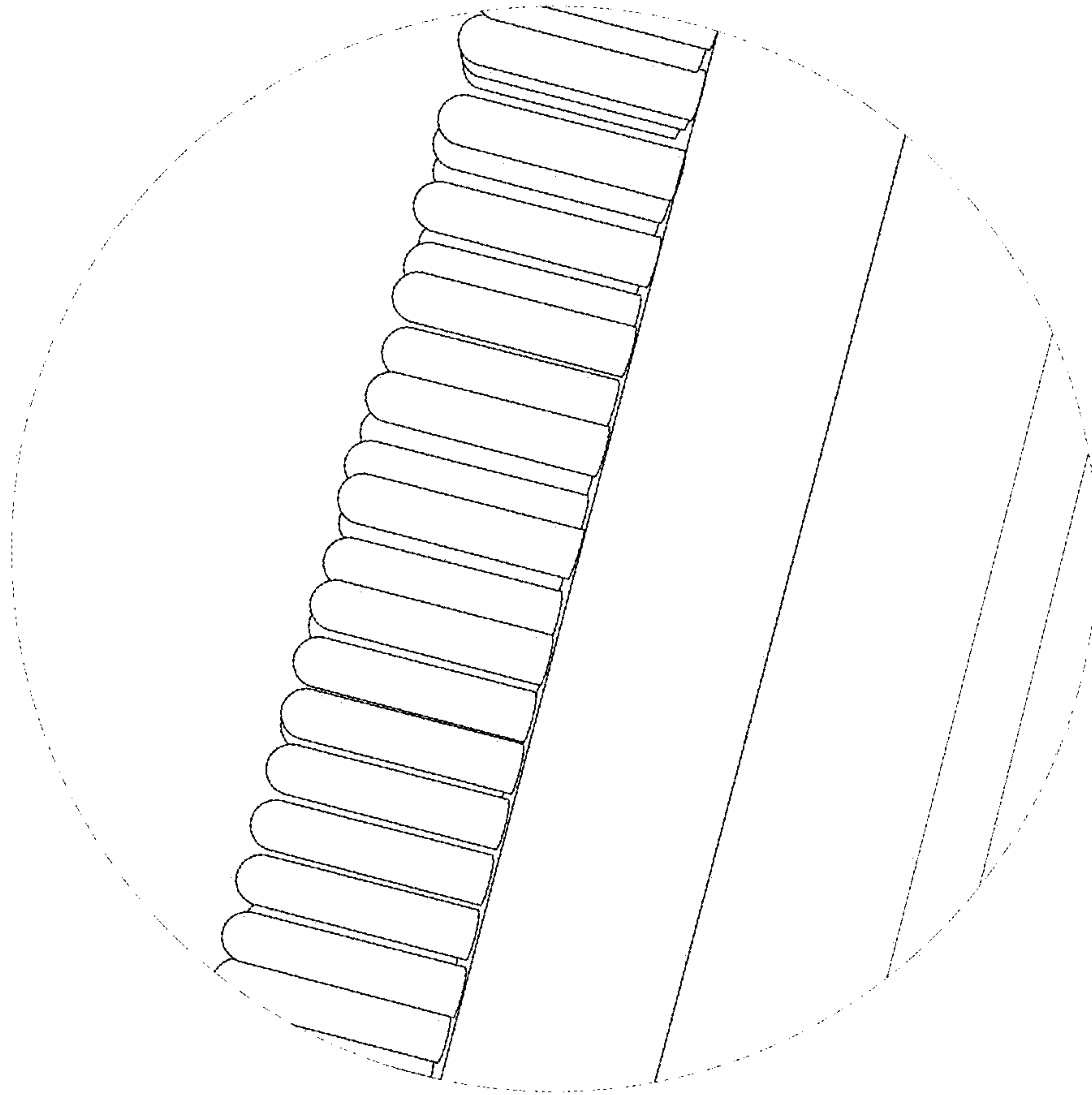


FIG.11

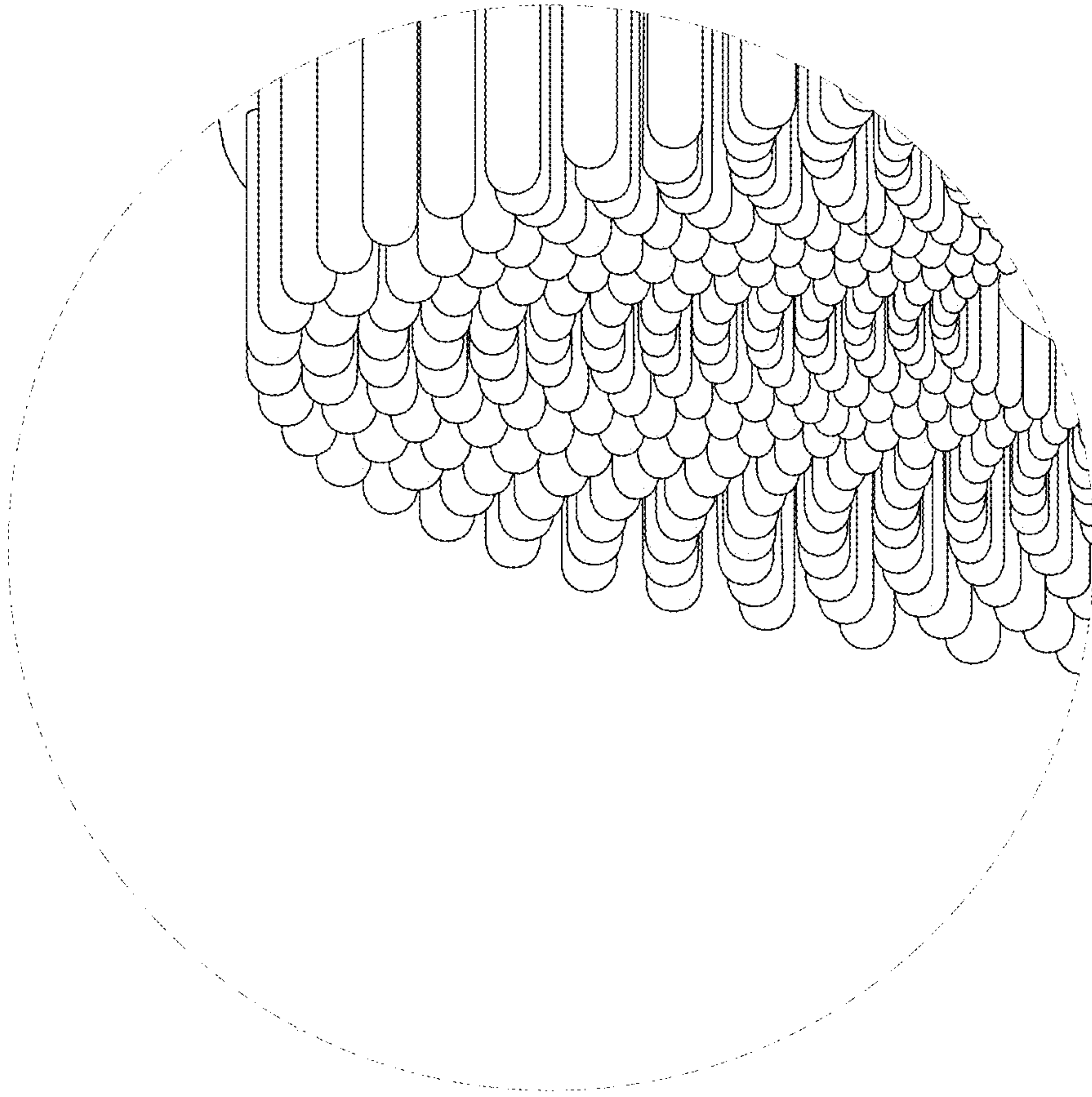


FIG.12

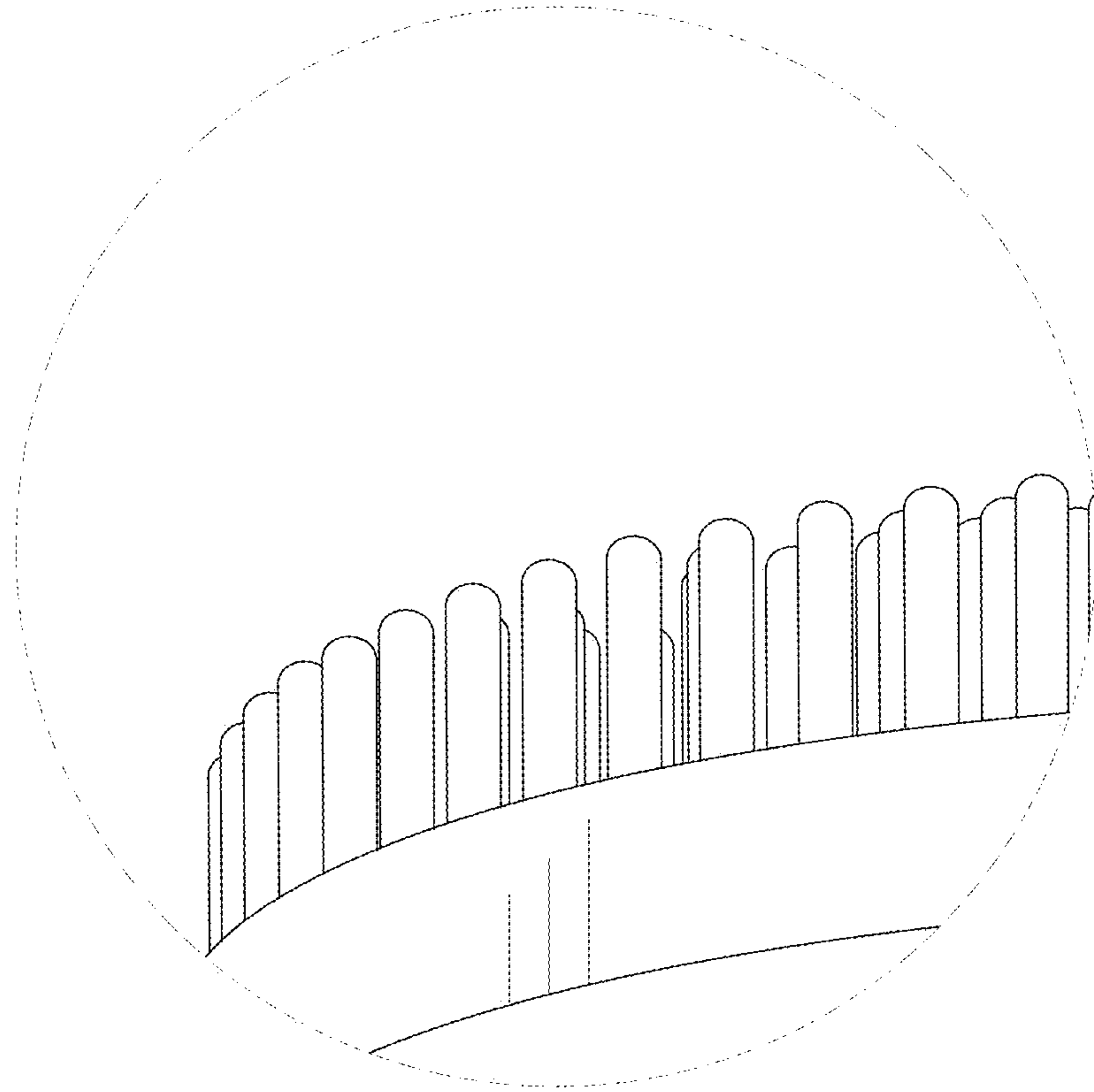


FIG.13