



US00D933957S

(12) **United States Design Patent** (10) **Patent No.:** **US D933,957 S**  
**Guo** (45) **Date of Patent:** **\*\* Oct. 26, 2021**

(54) **ELECTRIC HAIR COMB**  
(71) Applicant: **Quzhi Hairdressing Supplies**  
**(Shenzhen) Co., Ltd**, Shenzhen (CN)  
(72) Inventor: **Yan Guo**, Shenzhen (CN)  
(73) Assignee: **QUZHI HAIRDRESSING SUPPLIES**  
**(SHENZHEN) CO., LTD**, Shenzhen  
(CN)

D895,294 S \* 9/2020 Xie ..... D4/100  
D898,363 S \* 10/2020 Gan ..... D4/100  
D899,782 S \* 10/2020 Yang ..... D4/100  
D904,032 S \* 12/2020 Zeng ..... D4/100  
D905,965 S \* 12/2020 Xie ..... D4/100  
D906,677 S \* 1/2021 Cai ..... D4/100  
D909,064 S \* 2/2021 Huang ..... D4/100  
D909,759 S \* 2/2021 Huang ..... D4/100  
D916,370 S \* 4/2021 Zhang ..... D28/35  
D922,773 S \* 6/2021 Zhou ..... D4/100

(Continued)

(\*\*) Term: **15 Years**

**OTHER PUBLICATIONS**

(21) Appl. No.: **29/746,104**

TYMO hair straightener brush, TYMO, first available on Mar. 18, 2019 on amazon.com, retrieved on Aug. 23, 2021, retrieved from the Internet URL: [https://www.amazon.com/Hair-Straightener-Brush-Straightening-Anti-Scald/dp/B07MMQ4BZH/ref=sr\\_1\\_1\\_sspa?crd=3VBU4HW3DP6PC&dchild=1&keywords=tymo+hair+straightener+brush&qid=1629](https://www.amazon.com/Hair-Straightener-Brush-Straightening-Anti-Scald/dp/B07MMQ4BZH/ref=sr_1_1_sspa?crd=3VBU4HW3DP6PC&dchild=1&keywords=tymo+hair+straightener+brush&qid=1629).\*

(22) Filed: **Aug. 11, 2020**

(30) **Foreign Application Priority Data**

Jun. 30, 2020 (CN) ..... 202030344223.6

(51) **LOC (13) Cl.** ..... **04-02**

*Primary Examiner* — Jennifer Rivard  
*Assistant Examiner* — Alison M Ofstun

(52) **U.S. Cl.**  
USPC ..... **D4/100; D28/35**

(58) **Field of Classification Search**  
USPC ..... D28/10, 12-16, 21, 25, 26, 35, 99;  
D4/100

CPC ..... A45D 33/00; A45D 33/22; A45D 33/24;  
A45D 29/00; A45D 20/00; A45D 20/04;  
A45D 20/08; A45D 20/48; A45D  
2002/005; A45D 2/12; A45D 2/14; A45D  
2/04; A45D 2/06; A45D 1/00; A45D  
7/02; A45D 24/34; A45D 2024/345  
See application file for complete search history.

(57) **CLAIM**

The ornamental design for an electric hair comb, as shown and described.

**DESCRIPTION**

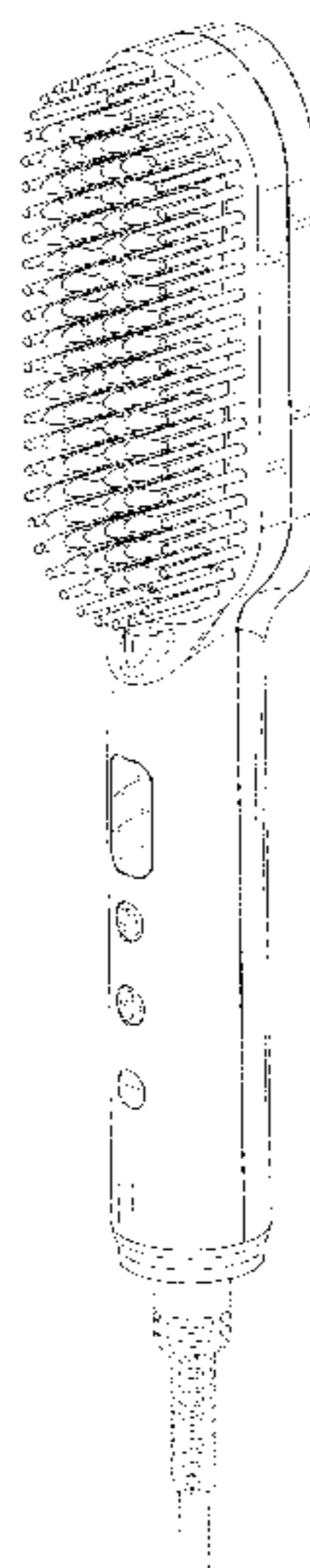
FIG. 1 is a perspective view of an electric hair comb showing my new design;  
FIG. 2 is another perspective view thereof;  
FIG. 3 is a front elevational view thereof;  
FIG. 4 is a rear elevational view thereof;  
FIG. 5 is a left side elevational view thereof;  
FIG. 6 is a right side elevational view thereof;  
FIG. 7 is a top plan view thereof; and,  
FIG. 8 is a bottom plan view thereof.  
The broken lines in the drawings are for the purpose of illustrating portions of the electric hair comb that form no part of the claimed design.

(56) **References Cited**

**U.S. PATENT DOCUMENTS**

D771,310 S \* 11/2016 He ..... D28/35  
D804,188 S \* 12/2017 Du ..... D4/100  
D821,649 S \* 6/2018 Qin ..... D28/35  
D821,754 S \* 7/2018 Huang ..... D4/100  
D836,344 S \* 12/2018 Keong ..... D4/100  
D838,989 S \* 1/2019 Yan ..... D4/100  
D889,130 S \* 7/2020 Yuan ..... D4/100

**1 Claim, 8 Drawing Sheets**



(56)

**References Cited**

U.S. PATENT DOCUMENTS

2018/0125223 A1\* 5/2018 Exley ..... A46B 15/003  
2019/0150583 A1\* 5/2019 Hein ..... A45D 2/002

\* cited by examiner

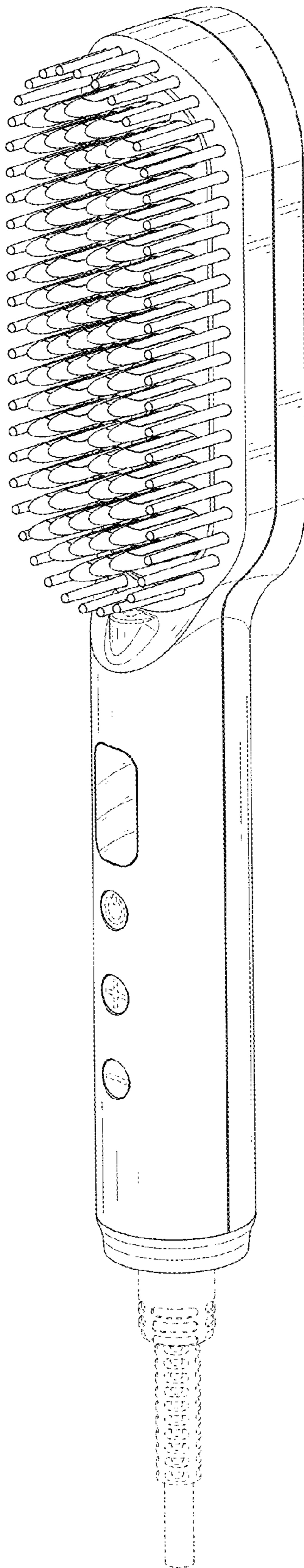


FIG. 1

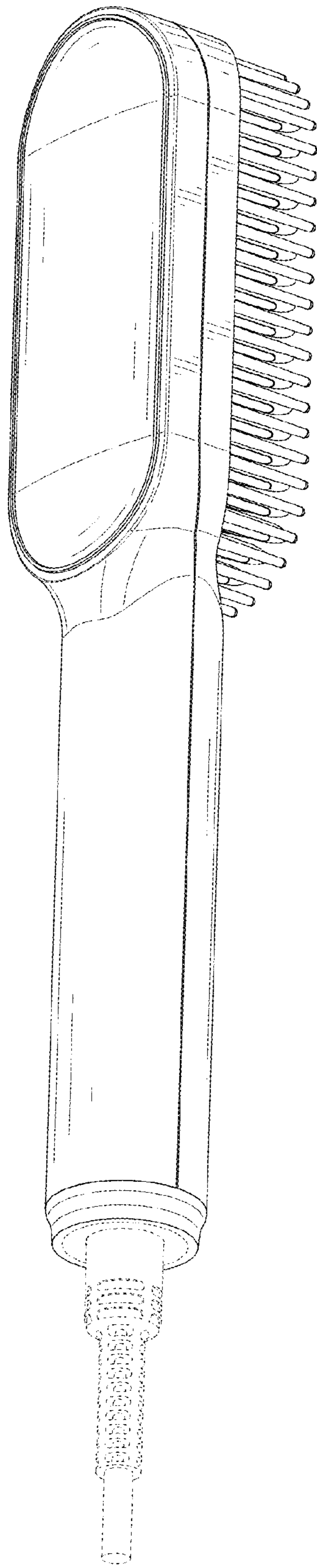


FIG. 2

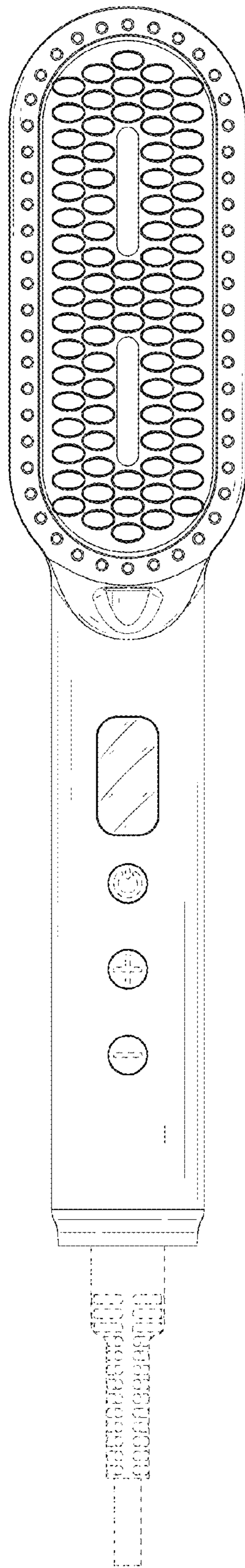


FIG. 3

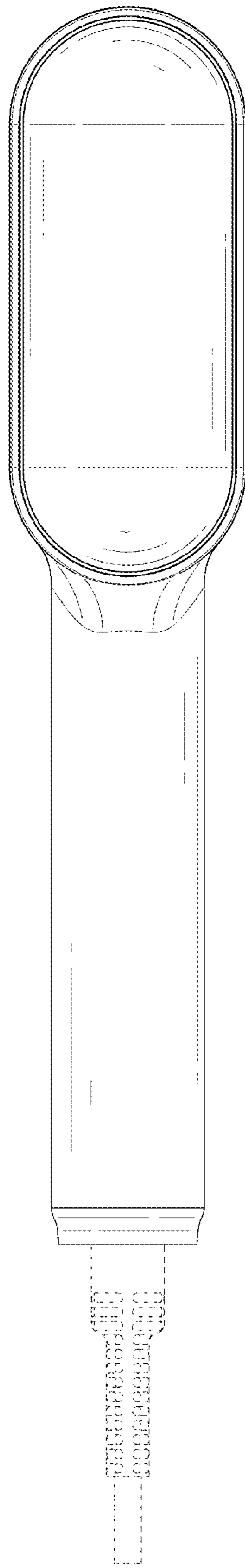


FIG. 4



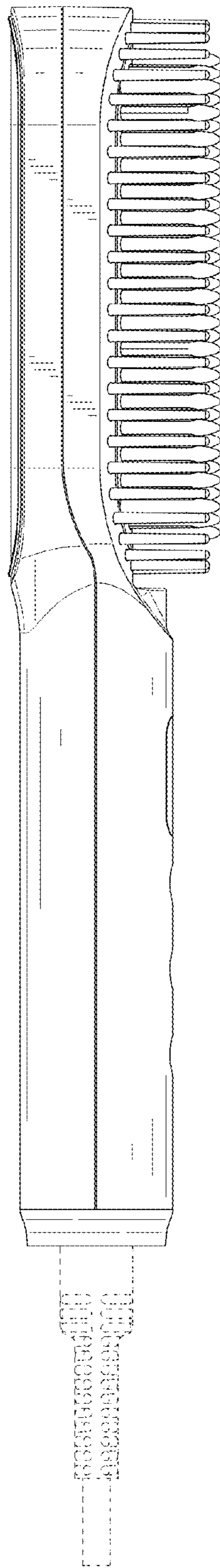


FIG. 5

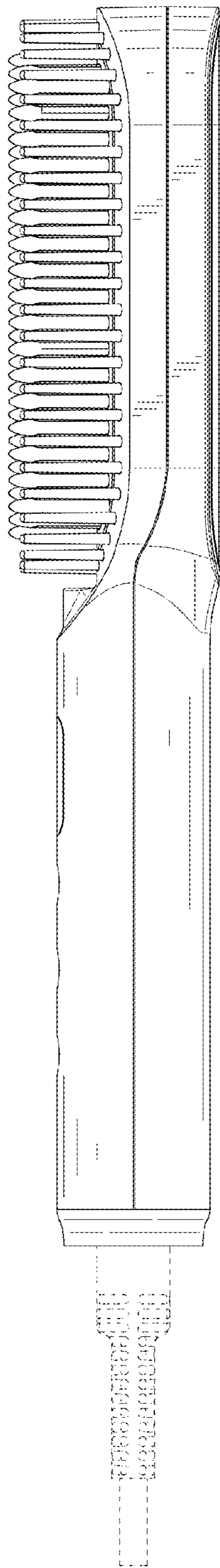


FIG. 6



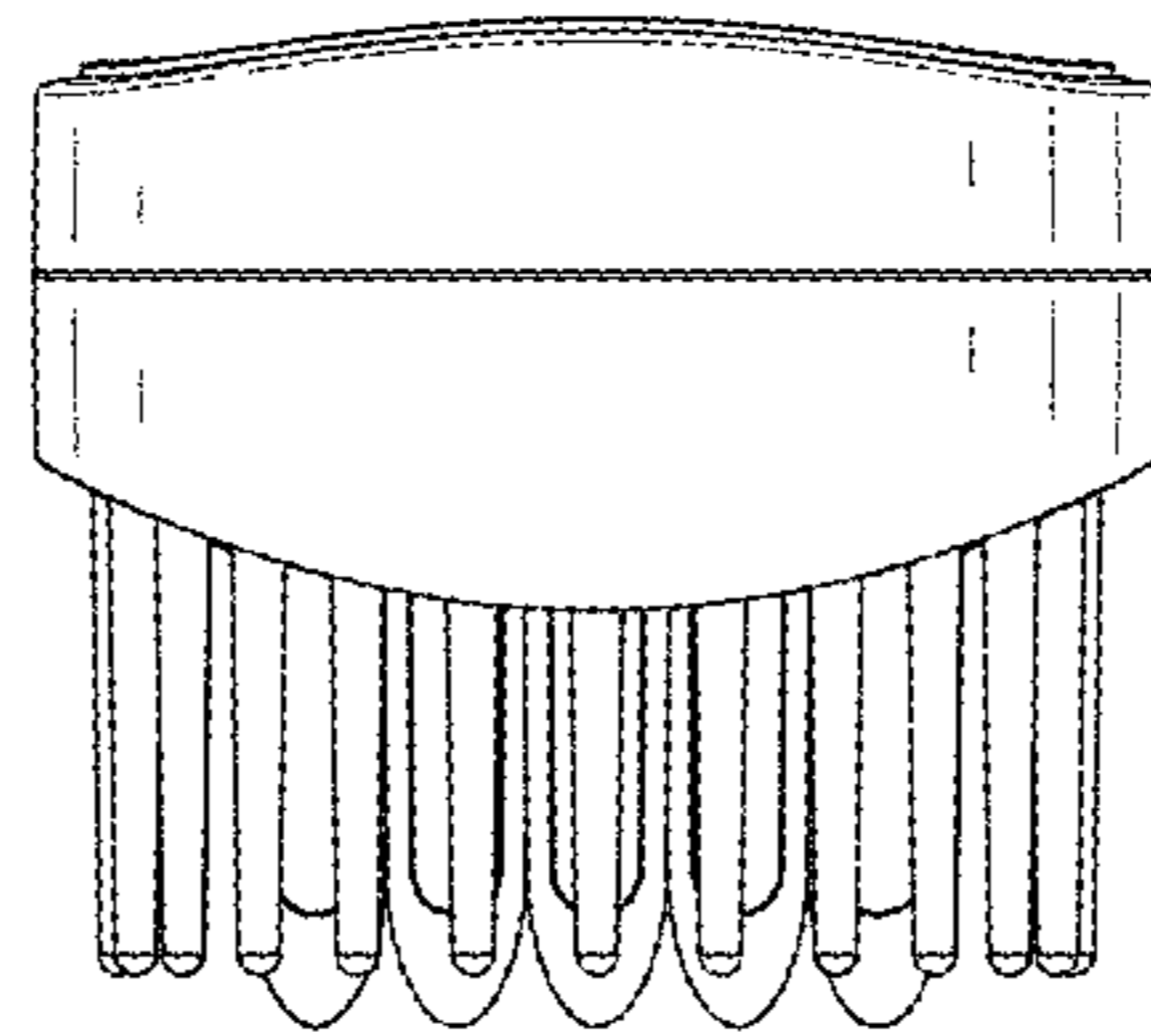


FIG. 7

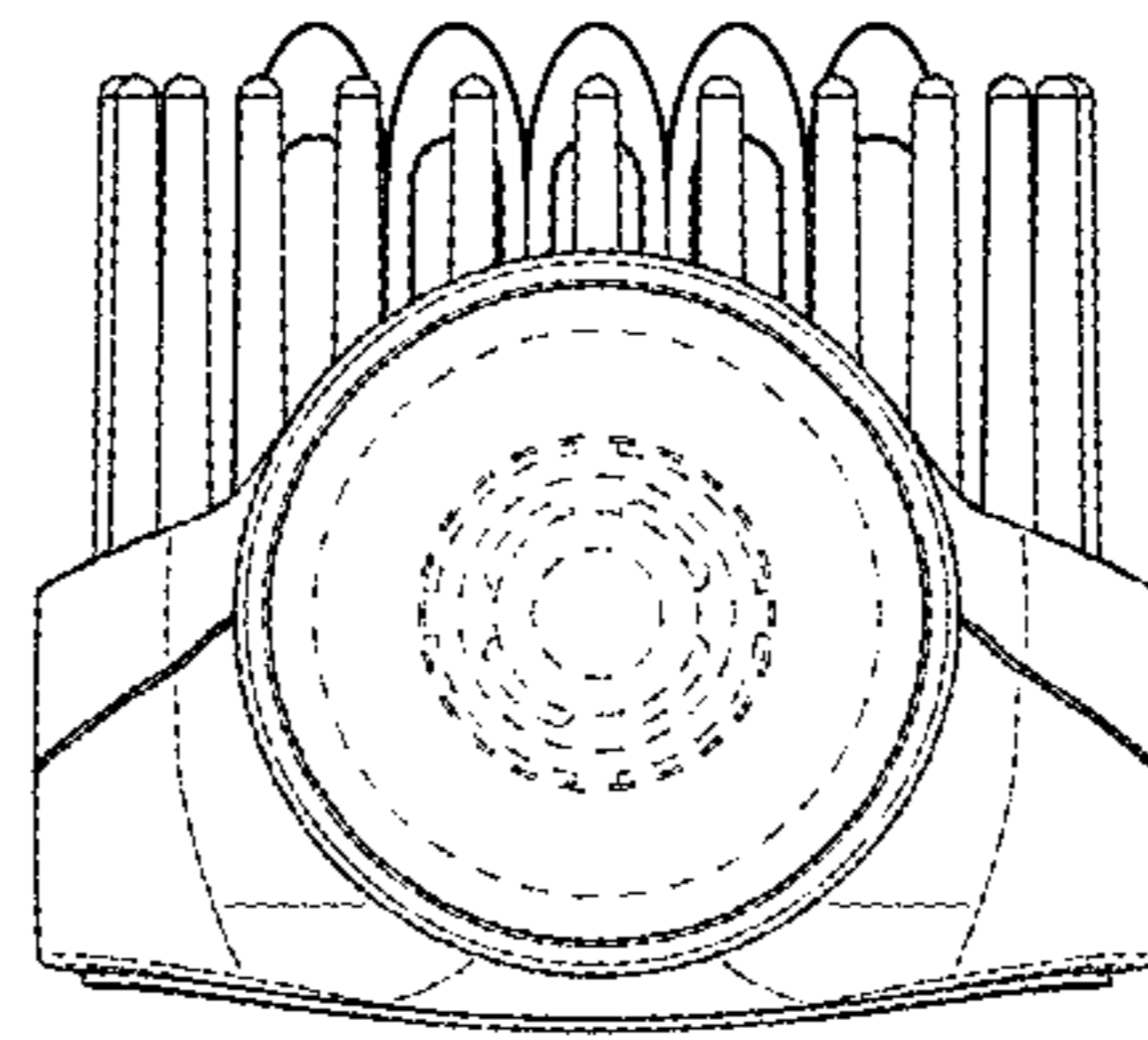


FIG. 8