



US00D933955S

(12) **United States Design Patent** (10) **Patent No.:** **US D933,955 S**
Sung et al. (45) **Date of Patent:** **** Oct. 26, 2021**

(54) **SPINE FOR COSMETIC CASE**
(71) Applicant: **YI JIM PLASTICS ENTERPRISE CO., LTD.**, Taichung (TW)
(72) Inventors: **Wei Che Sung**, Taichung (TW); **Ching Mu Sung**, Taichung (TW)
(73) Assignee: **Yi JIM PLASTICS ENTERPRISE CO., LTD.**
(**) Term: **15 Years**
(21) Appl. No.: **29/717,503**
(22) Filed: **Dec. 18, 2019**
(51) **LOC (13) Cl.** **03-01**
(52) **U.S. Cl.**
USPC **D3/321**; D3/901
(58) **Field of Classification Search**
USPC D3/232–234, 284, 286, 288, 292, 294, D3/303, 318–319; D9/420–423, 434, D9/456; D28/73, 76, 79, 83, 84, 89; D6/407, 626–632
CPC A45C 3/06; A45C 11/008; A45D 40/22; A45D 40/221
See application file for complete search history.

D512,104 S * 11/2005 Lowry D20/44
D517,363 S * 3/2006 Goto D6/407
7,744,174 B2 * 6/2010 Peng A47B 88/40
312/333
D623,051 S * 9/2010 Giraud D9/420
D623,052 S * 9/2010 Giraud D9/420
D625,534 S * 10/2010 Chen D7/619.1
D651,350 S * 12/2011 Paquet D28/83
D740,117 S * 10/2015 Nichols D9/456
D754,543 S * 4/2016 Donadee D9/455
D779,852 S * 2/2017 Covert D6/516
D799,067 S * 10/2017 Forsberg D25/119
D854,922 S * 7/2019 Piscopo D9/414
D876,095 S * 2/2020 Guyon D3/318
(Continued)

FOREIGN PATENT DOCUMENTS

EM 007358114-0001 * 12/2019
Primary Examiner — Jennifer L Watkins
Assistant Examiner — Samantha Lynne Brodowski
(74) *Attorney, Agent, or Firm* — Bruce Stone LLP; Joseph A. Bruce

(57) **CLAIM**

The ornamental design for a spine for cosmetic case, as shown and described.

DESCRIPTION

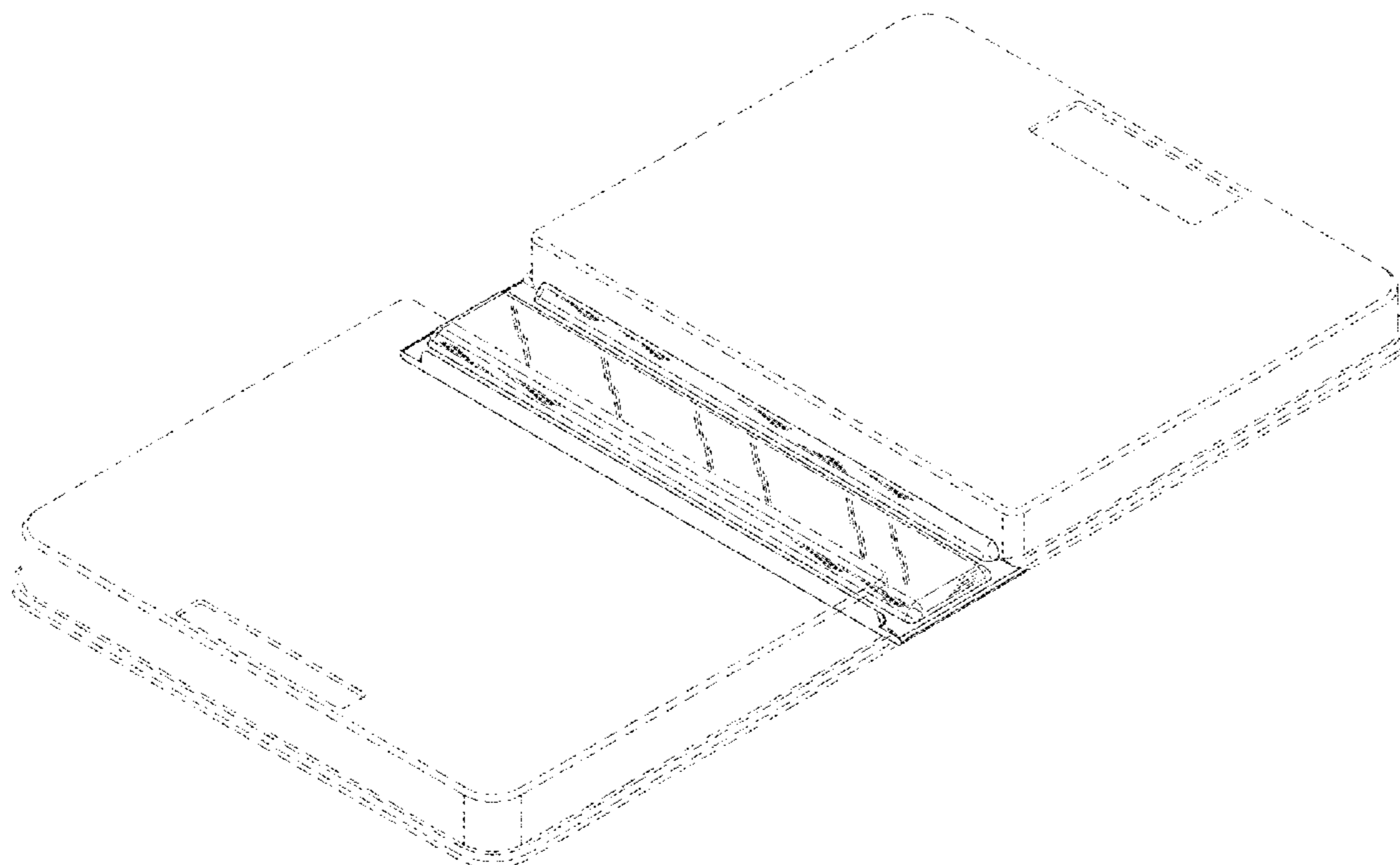
FIG. 1 is a perspective view of a spine for cosmetic case of our new ornamental design;
FIG. 2 is a front view thereof;
FIG. 3 is a rear view thereof;
FIG. 4 is a right side view thereof;
FIG. 5 is a left side view thereof;
FIG. 6 is a top view thereof;
FIG. 7 is a bottom view thereof; and,
FIG. 8 is another perspective view in a closed position.
The broken lines in the drawings depict environment and form no part of the claim.

1 Claim, 8 Drawing Sheets

(56) **References Cited**

U.S. PATENT DOCUMENTS

D139,326 S * 10/1944 Gordon D6/518
D301,548 S * 6/1989 Weaver D9/434
D370,999 S * 6/1996 Umiker D3/307
5,638,839 A * 6/1997 Montoli A45D 40/22
132/294
D413,261 S * 8/1999 Yerich D9/426
D423,781 S * 5/2000 Wei-Chih D3/318
D441,285 S * 5/2001 Tsuruishi D9/456
D445,626 S * 7/2001 Myszka D6/407
D455,312 S * 4/2002 Myszka D6/407
D465,333 S * 11/2002 Chen D3/322
D466,356 S * 12/2002 Marsilio D6/407



(56)

References Cited

U.S. PATENT DOCUMENTS

D889,957 S * 7/2020 Soiling D9/420
2021/0000241 A1* 1/2021 Shpur A41G 5/02

* cited by examiner

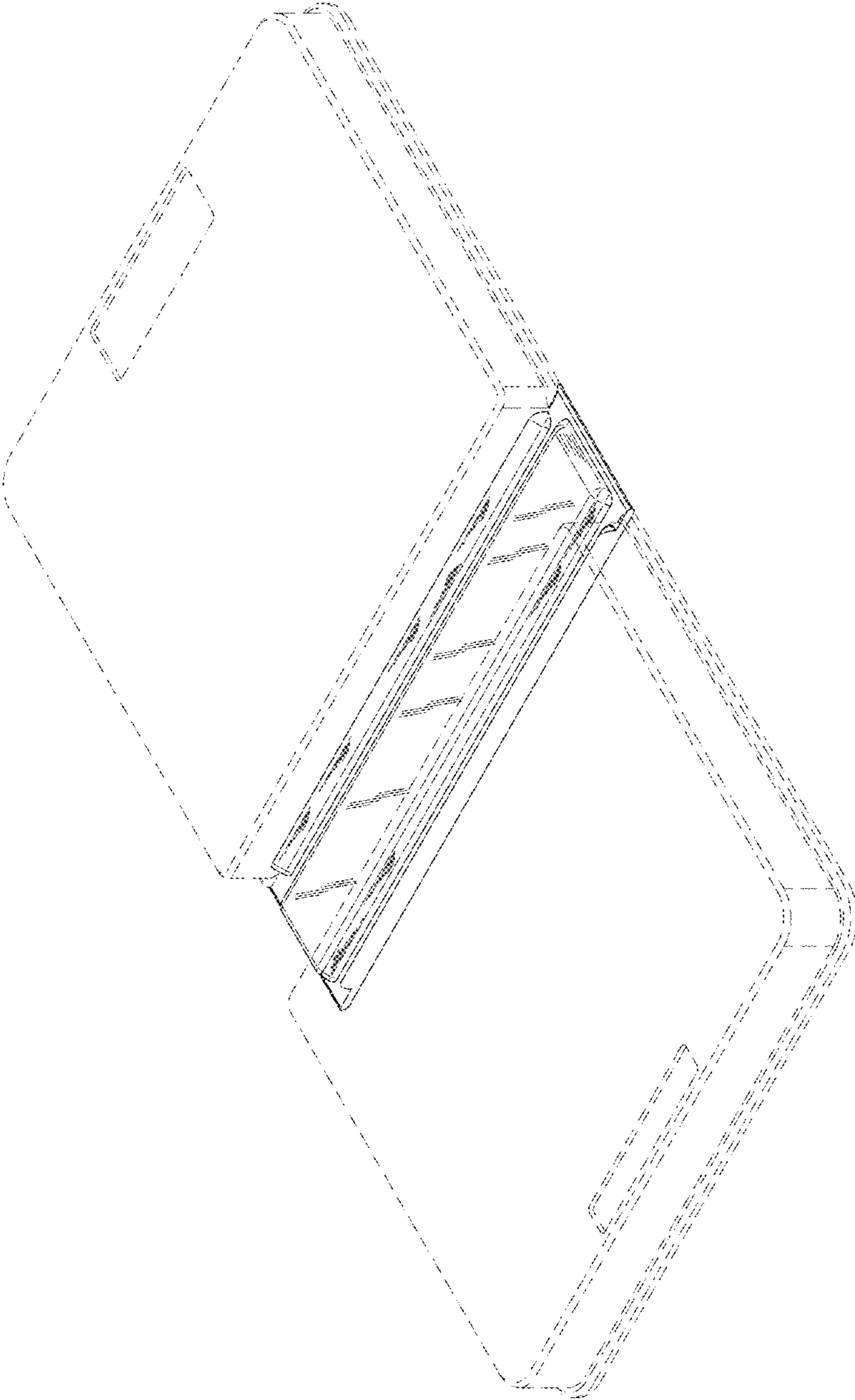


Fig. 1

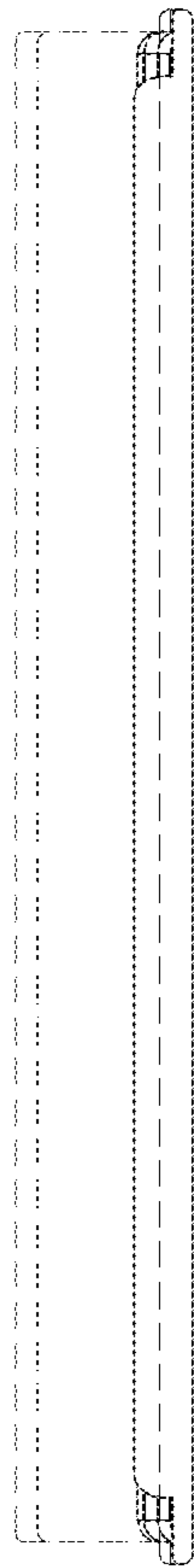


Fig. 2

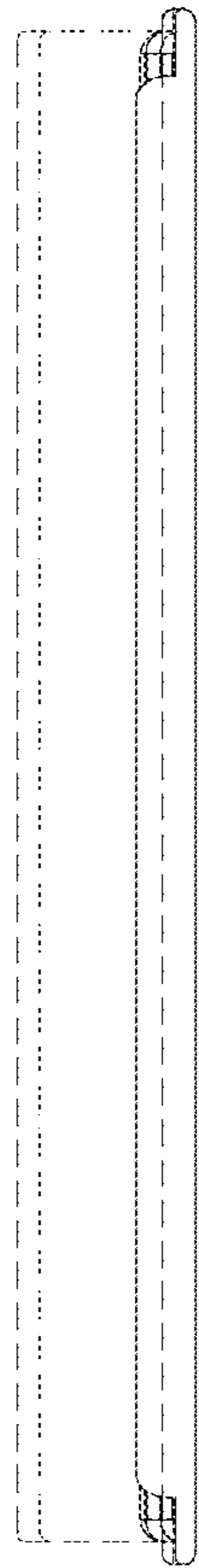


Fig. 3

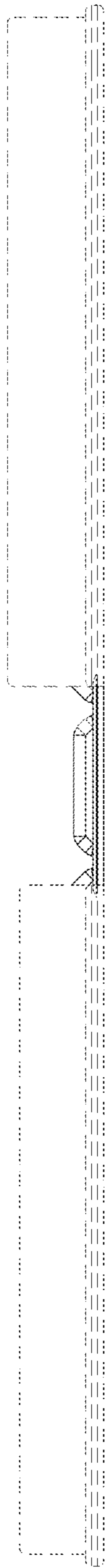


Fig. 4

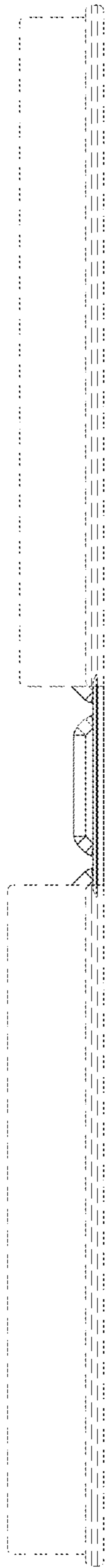


Fig. 5

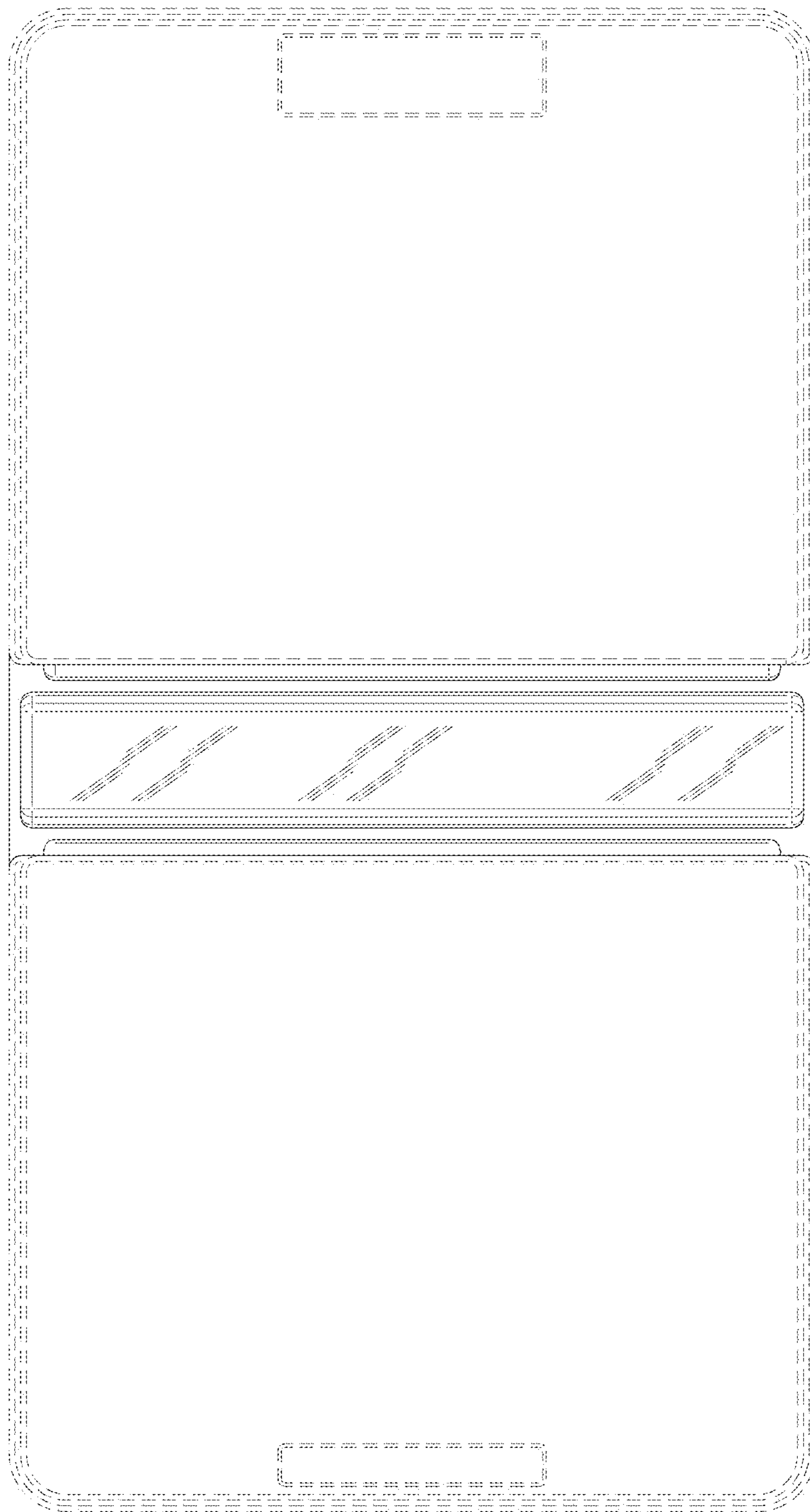


Fig. 6

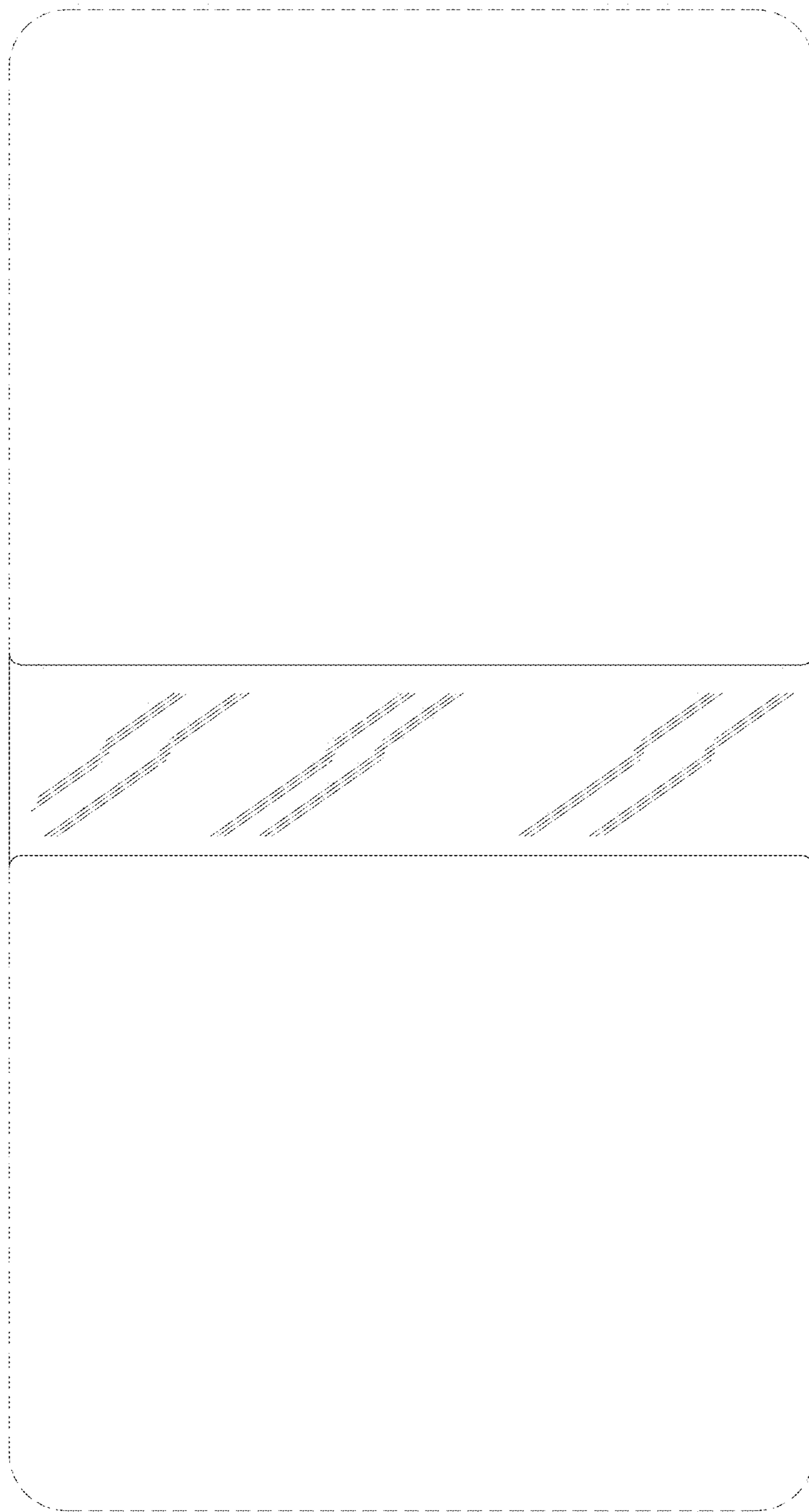


Fig. 7

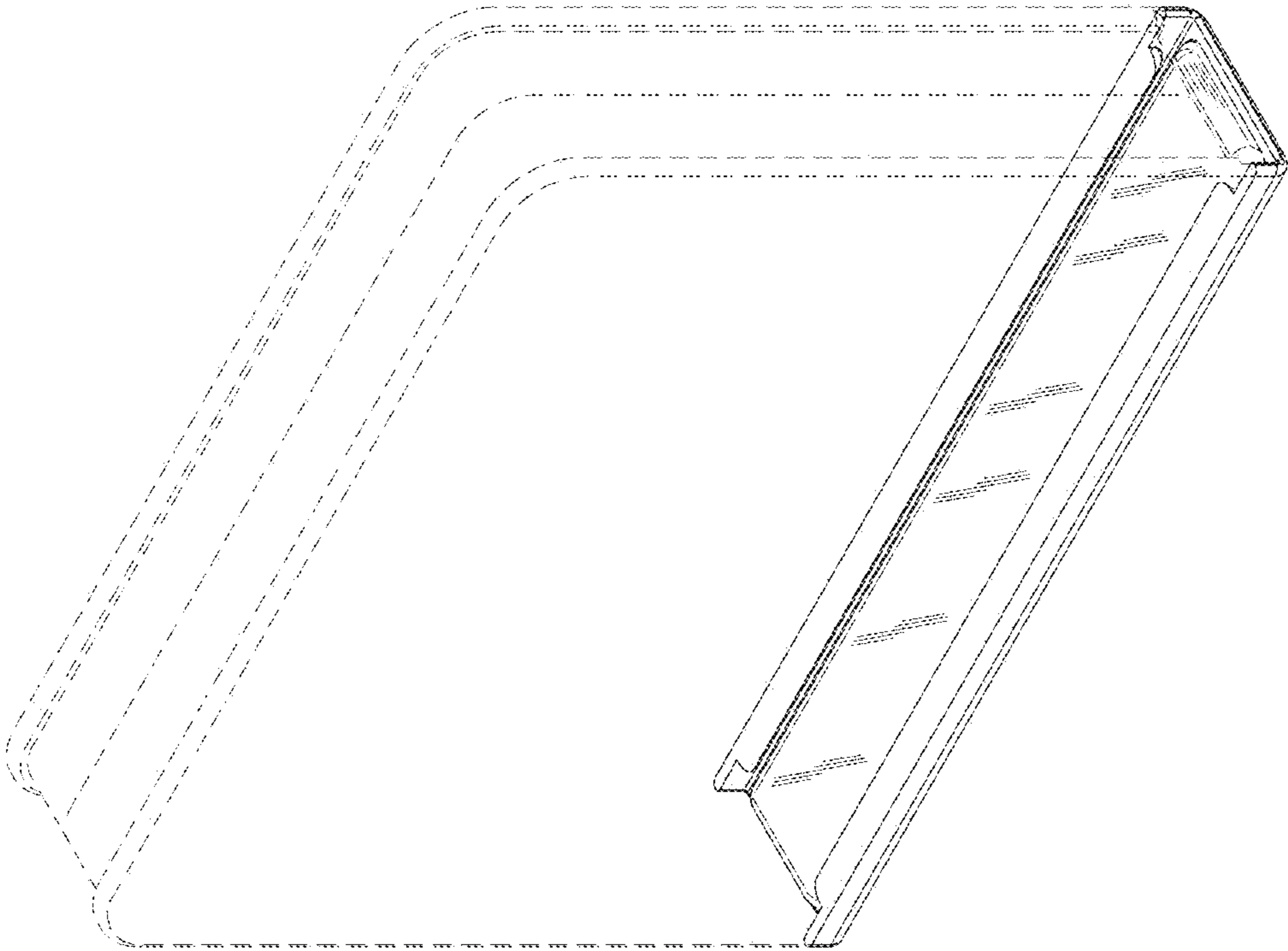


Fig. 8