



US00D933954S

(12) **United States Design Patent**  
**Ludlow et al.**

(10) **Patent No.:** **US D933,954 S**  
(45) **Date of Patent:** **\*\* Oct. 26, 2021**

(54) **CHILD-RESISTANT STORAGE CASE**

(71) Applicant: **Edibles Engineering LLC**, Denver, CO (US)

(72) Inventors: **William Edward Ludlow**, Denver, CO (US); **Paul Phillip Burek**, Centennial, CO (US); **Robert Pierce Donley**, Denver, CO (US)

(73) Assignee: **CRATIV Solutions, Inc.**, Denver, CO (US)

(\*\*) Term: **15 Years**

(21) Appl. No.: **29/710,858**

(22) Filed: **Oct. 27, 2019**

(51) **LOC (13) Cl.** ..... **03-01**

(52) **U.S. Cl.**  
USPC ..... **D3/294**

(58) **Field of Classification Search**  
USPC ... D3/203.1–203.3, 207, 212, 273, 274, 294, D3/295, 321, 323; D19/81, 83, 101–103, D19/106; D27/172, 183, 186–191; D28/73

CPC .. A45C 5/00; A45C 5/04; A45C 11/00; A45C 11/16; A45C 2011/007; A24F 23/00; B65D 43/16; B65D 43/162; B65D 43/164; B65D 43/22; B65D 50/04

See application file for complete search history.

(56) **References Cited**

**U.S. PATENT DOCUMENTS**

- D138,373 S \* 7/1944 Crane ..... B65D 43/22 D27/189
- D141,079 S \* 5/1945 Bogoff ..... B65D 50/04 D27/189
- D144,278 S \* 3/1946 Wohl ..... B65D 83/0463 D27/189
- D201,115 S \* 5/1965 Parsell ..... D3/284
- 3,749,230 A 7/1973 Foster

- 3,907,103 A 9/1975 Shaw
- 4,043,448 A 8/1977 Tanaka
- 4,048,050 A 9/1977 Hillman
- D259,154 S \* 5/1981 White, Jr. .... B65D 77/02 D3/295

(Continued)

**OTHER PUBLICATIONS**

Facebook user “Crativ Packaging” live video, posted on Nov. 16, 2018, [online], [site visited Nov. 18, 2020], Available at internet URL: [https://m.facebook.com/CrativPackaging/videos/329724291148194/?\\_so\\_=channel\\_tab&\\_rv\\_=all\\_videos\\_card](https://m.facebook.com/CrativPackaging/videos/329724291148194/?_so_=channel_tab&_rv_=all_videos_card) (Year: 2018).\*

(Continued)

*Primary Examiner* — Jeffrey D Asch  
*Assistant Examiner* — Caitlin A. Laverty  
(74) *Attorney, Agent, or Firm* — Dorr, Carson & Birney P.C.

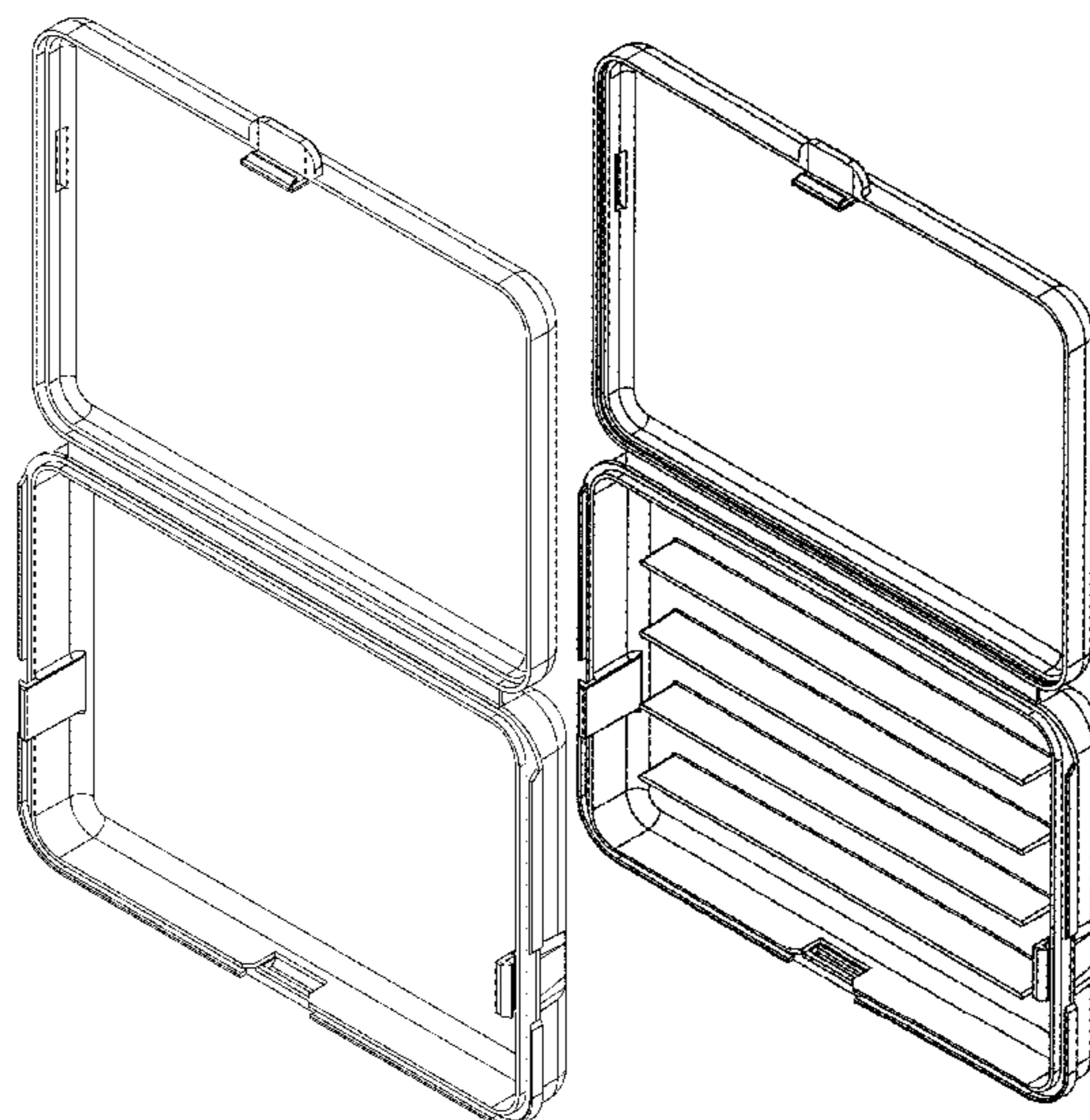
(57) **CLAIM**

The ornamental design for a child-resistant storage case, as shown and described.

**DESCRIPTION**

FIG. 1 is a top plan view of a child-resistant storage case showing our new design.  
FIG. 2 is a front elevational view thereof.  
FIG. 3 is a rear elevational view thereof.  
FIG. 4 is a left side elevational view thereof, with the right side elevational view being a mirror image of FIG. 4.  
FIG. 5 is a bottom plan view thereof.  
FIG. 6 is a top perspective view thereof.  
FIG. 7 is a top plan view of an alternative embodiment of the child-resistant storage case having the same appearance as the first embodiment except for the inclusion of interior ribs; and,  
FIG. 8 is a top perspective view thereof corresponding to FIG. 7.

**1 Claim, 8 Drawing Sheets**



(56)

References Cited

U.S. PATENT DOCUMENTS

4,364,488 A 12/1982 Anjou  
 4,730,731 A 3/1988 Allison  
 4,782,942 A \* 11/1988 Ashley ..... A61L 2/26  
 206/5.1  
 4,821,751 A \* 4/1989 Chen ..... A45D 33/24  
 132/295  
 4,890,742 A 1/1990 Allison  
 D306,235 S \* 2/1990 Tamamura ..... B65D 43/162  
 D3/295  
 D309,981 S \* 8/1990 French ..... A24F 15/18  
 206/823  
 5,080,222 A 1/1992 McNary  
 D333,727 S \* 3/1993 Schurman ..... A45C 11/00  
 D3/292  
 D363,509 S \* 10/1995 Parekh ..... B65D 50/04  
 D19/75  
 5,740,938 A \* 4/1998 Hofmann ..... B65D 43/162  
 206/531  
 6,021,901 A \* 2/2000 Wolfe ..... B65D 43/162  
 206/1.5  
 D425,294 S \* 5/2000 Haverstick ..... D3/203.1  
 D448,154 S \* 9/2001 Mann ..... D3/203.1  
 D458,751 S 6/2002 Hsieh  
 D475,853 S \* 6/2003 Chen ..... D3/294  
 D487,192 S 3/2004 Farnham et al.  
 6,832,686 B2 12/2004 Donegan  
 D527,182 S 8/2006 Ham  
 D529,288 S 10/2006 Ham  
 D548,969 S 8/2007 Bramley  
 D565,842 S 4/2008 Falcone  
 D566,395 S 4/2008 Langer et al.  
 D592,398 S 5/2009 Roesler  
 D592,399 S \* 5/2009 Sage ..... D3/295  
 7,549,541 B2 6/2009 Brozell et al.  
 D612,094 S \* 3/2010 Bellamah ..... D27/189  
 D612,152 S 3/2010 Roesler  
 D613,945 S 4/2010 Molina  
 7,757,843 B2 7/2010 Katsis  
 D636,182 S 4/2011 Yang  
 D637,813 S 5/2011 Liang  
 D640,058 S 6/2011 Molina  
 D666,811 S 9/2012 Yang  
 D675,434 S 2/2013 Vernall et al.  
 D679,908 S 4/2013 Hurt et al.  
 8,708,149 B2 \* 4/2014 Hawry ..... B65D 43/162  
 206/535  
 8,875,877 B2 11/2014 Cottle et al.  
 D725,385 S 3/2015 Ming

RE45,787 E 11/2015 Hurt et al.  
 D754,920 S \* 4/2016 Domon ..... D27/189  
 D759,378 S 6/2016 West et al.  
 D761,023 S 7/2016 Tramontana  
 D772,572 S 11/2016 Palmborg et al.  
 D781,052 S 3/2017 Blahnik  
 D787,183 S 5/2017 Harrah  
 D798,588 S 10/2017 Heyman  
 D805,774 S \* 12/2017 Sun ..... D3/294  
 D815,343 S \* 4/2018 Kesselman ..... D27/187  
 D834,819 S 12/2018 Burek et al.  
 D840,146 S \* 2/2019 Hauss ..... D3/203.3  
 D852,616 S \* 7/2019 Thesing ..... D9/423  
 D863,677 S \* 10/2019 Chung ..... D27/172  
 D887,137 S \* 6/2020 Burek ..... D3/273  
 D891,755 S \* 8/2020 Prioleau ..... D3/203.1  
 D898,360 S \* 10/2020 Elkind ..... B65D 50/04  
 D3/294  
 10,912,359 B2 \* 2/2021 Wu ..... A45C 5/03  
 D912,401 S \* 3/2021 Dowd ..... D3/294  
 D921,362 S \* 6/2021 Lu ..... D3/294  
 D927,851 S \* 8/2021 Chasseriaux ..... D3/294  
 2002/0185404 A1 \* 12/2002 Donegan ..... B65D 77/02  
 206/531  
 2004/0226853 A1 \* 11/2004 Intini ..... B65D 83/0463  
 206/536  
 2007/0205115 A1 \* 9/2007 Lee ..... A45C 11/00  
 206/37  
 2009/0255842 A1 10/2009 Brozell et al.  
 2017/0137184 A1 \* 5/2017 Burek ..... B65D 50/04  
 2019/0270556 A1 \* 9/2019 Patton ..... B65D 43/22  
 2020/0323257 A1 \* 10/2020 Griffin ..... A24F 15/18  
 2021/0221573 A1 \* 7/2021 Salemi ..... B65D 43/22

OTHER PUBLICATIONS

Facebook user “Crativ Packaging” photo, posted on Mar. 12, 2019, [online], [site visited Nov. 18, 2020], Available at internet URL: <https://m.facebook.com/CrativPackaging/photos/a.368349383335302/882376981932537/?type=3&theater> (Year: 2019).  
 High Quality Red Wine Carrier Gift Packaging Box . . . , unknown first available date, AliExpress.com [online], [site visited Nov. 20, 2020], Available at internet URL: <https://www.aliexpress.com/i/32901564329.html> (Year: 2020).  
 Cabela’s, “Fly Fishing” catalog, pp. 1 and 76-79, Mar. 2016, Sidney, NE.  
 Photo of a prior art fishing tackle case purchased from Bass Pro Shop (2016).

\* cited by examiner

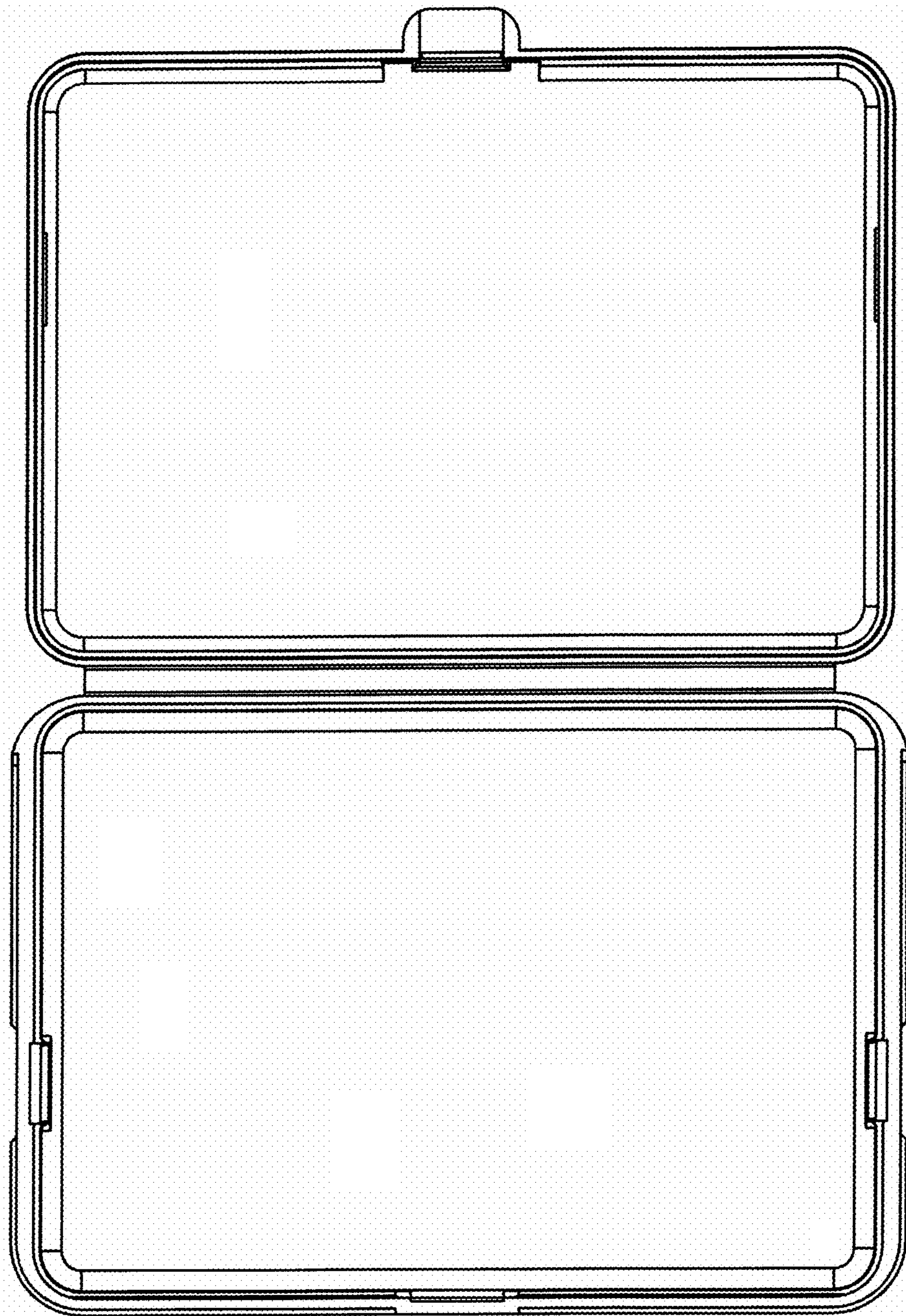
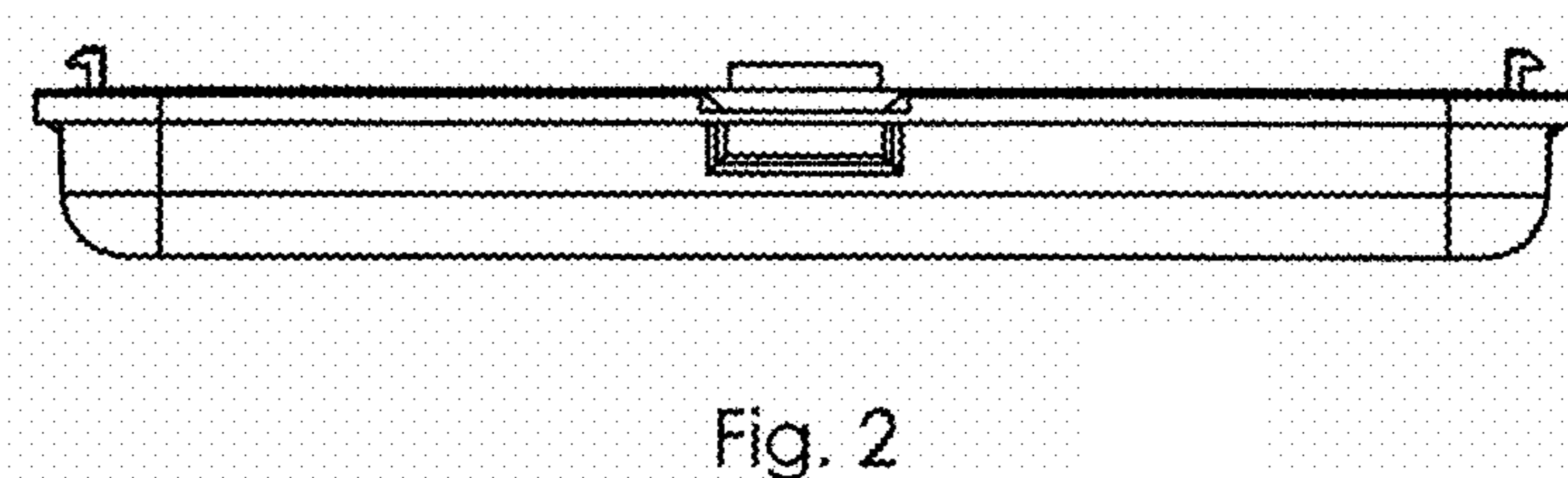


Fig. 1



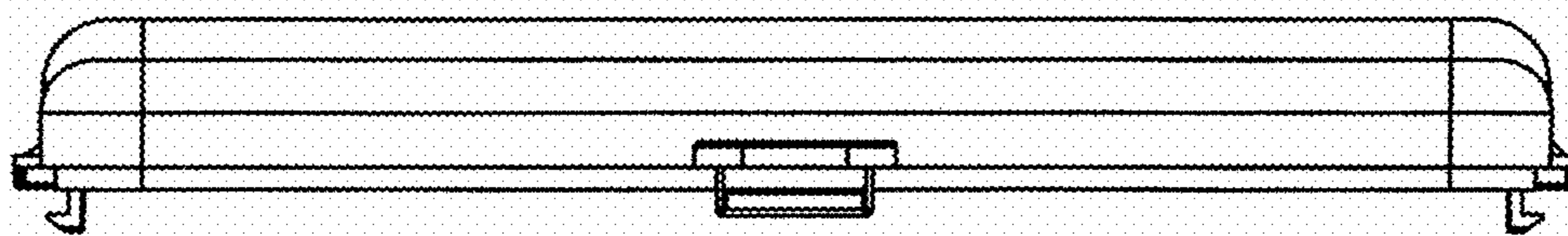


Fig. 3

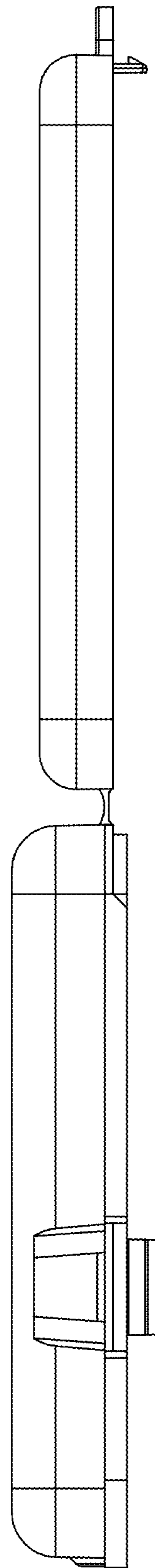


Fig. 4

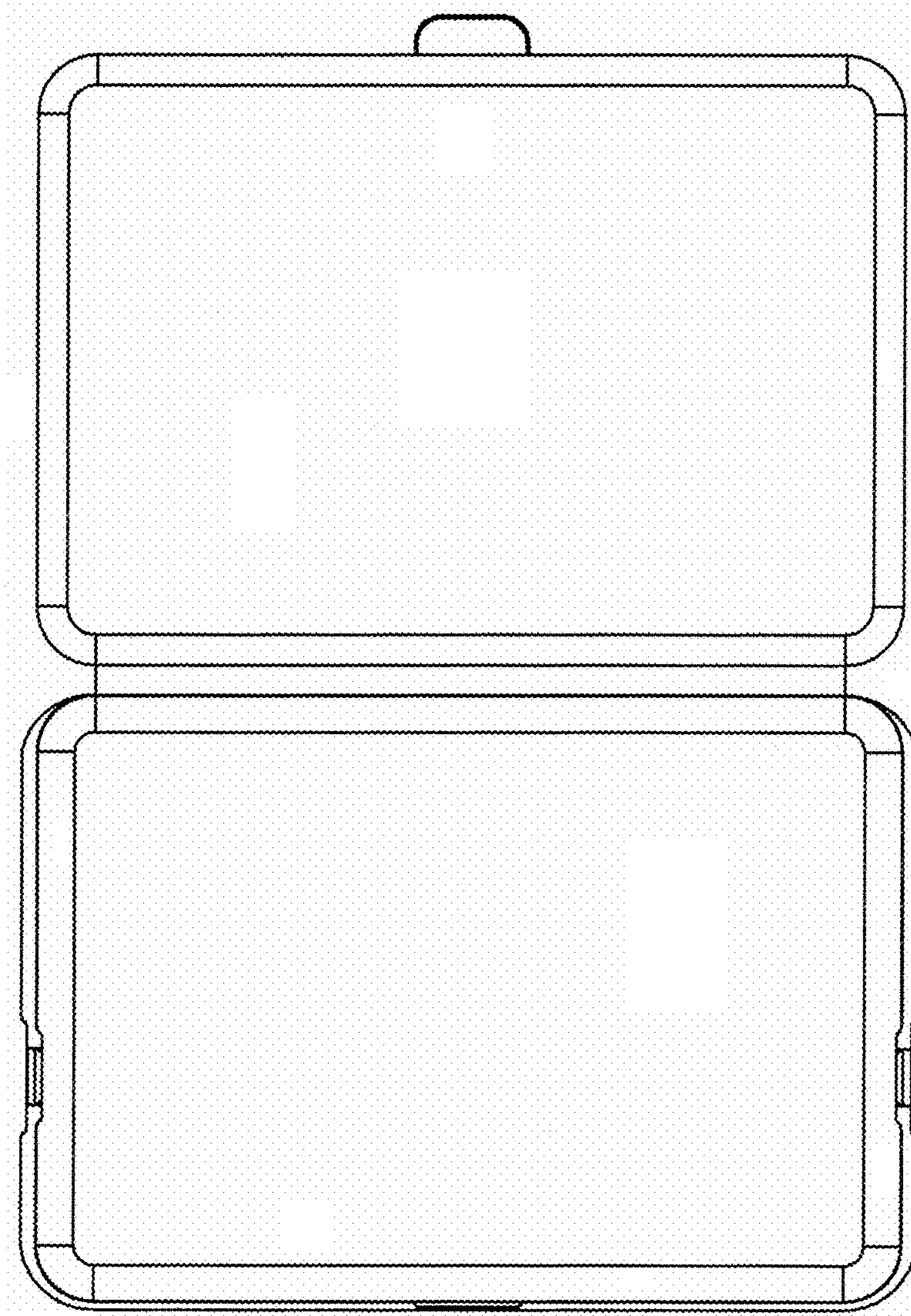


Fig. 5

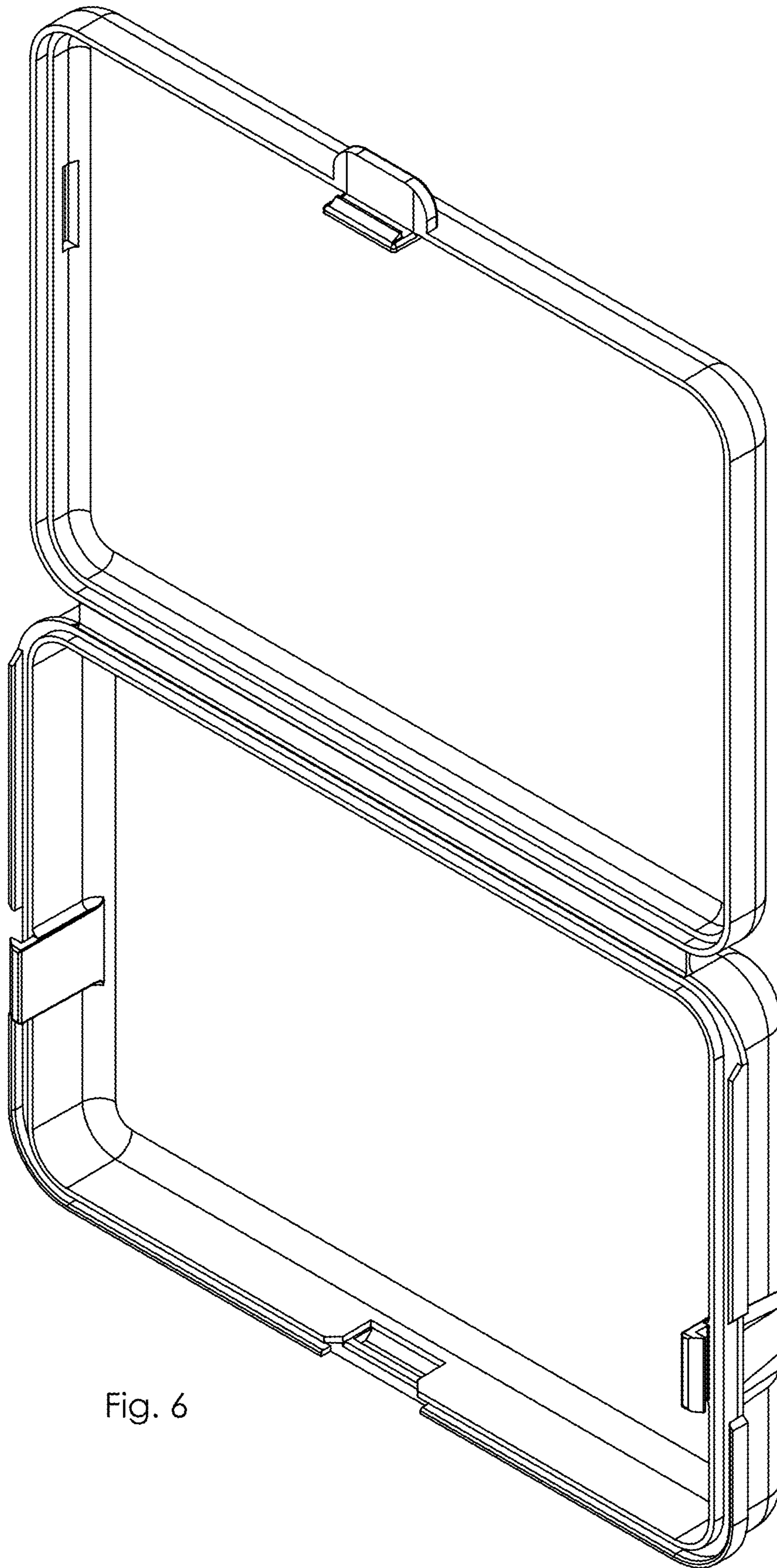


Fig. 6



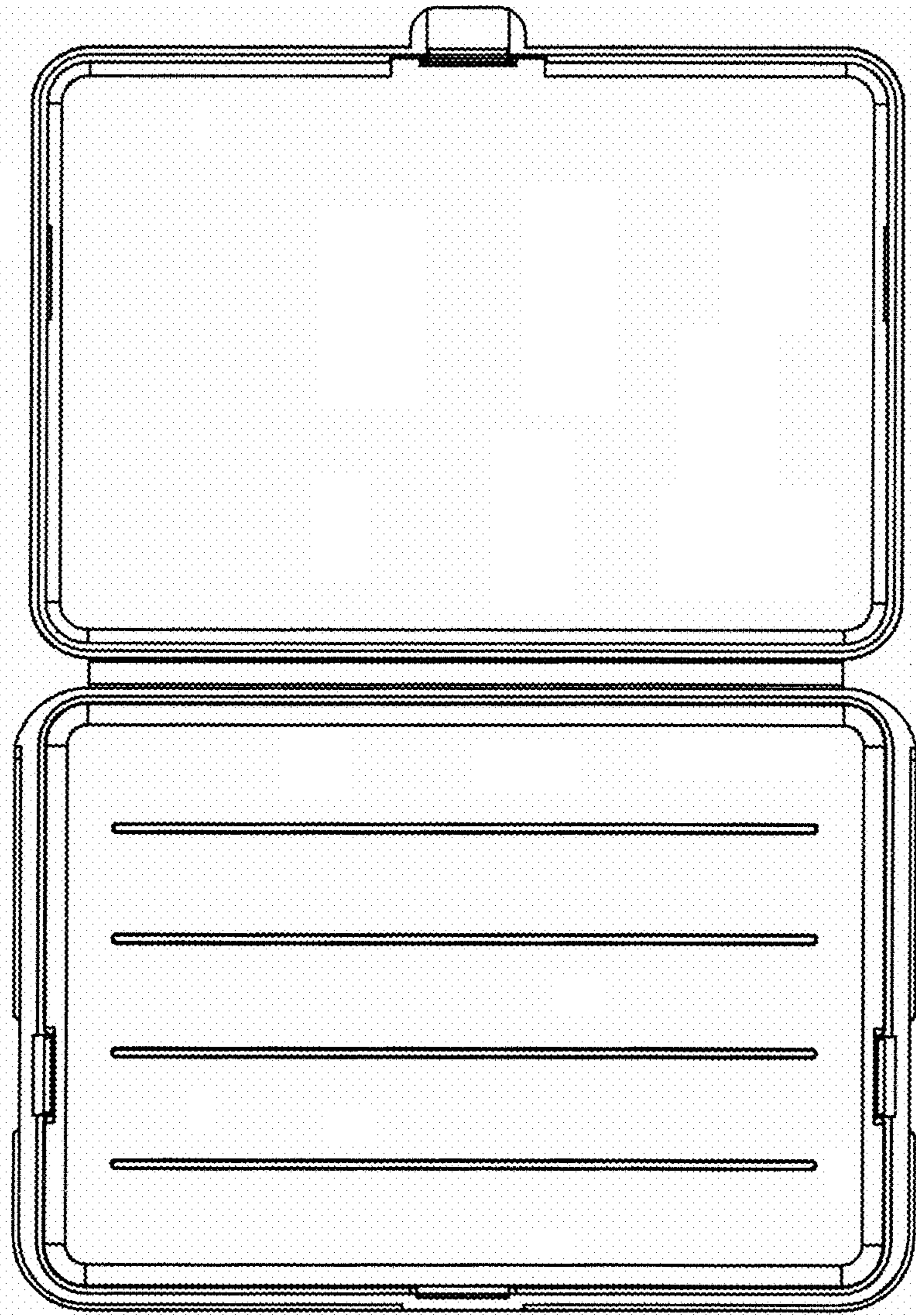


Fig. 7

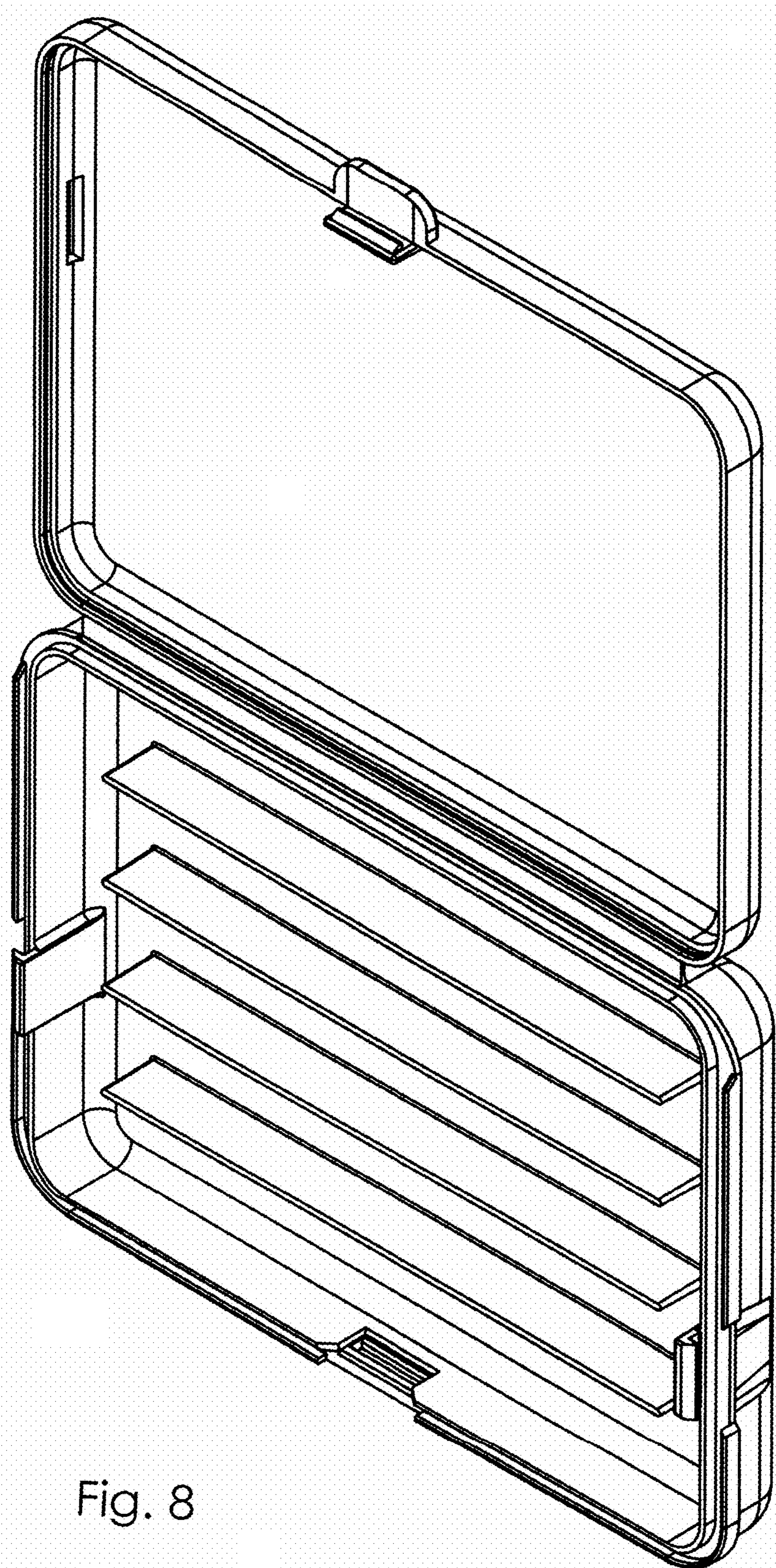


Fig. 8