



US00D933950S

(12) **United States Design Patent**
Breines

(10) **Patent No.:** **US D933,950 S**

(45) **Date of Patent:** **** Oct. 26, 2021**

(54) **CASE**

D742,764 S * 11/2015 Steib D10/31
D767,986 S * 10/2016 Epstein A45C 11/02

(71) Applicant: **Robert Breines**, Westlake Village, CA
(US)

D865,296 S * 10/2019 Min D28/83

(Continued)

(72) Inventor: **Robert Breines**, Westlake Village, CA
(US)

OTHER PUBLICATIONS

(**) Term: **15 Years**

ToughBuilt—Toolmate Softboxes, reviewed Jan. 4, 2016 [online],
[site visited Jan. 22, 2021], available from internet. URL <https://
www.amazon.com/ToughBuilt-Toolmate-Softboxes-Multi-purpose-
Organizer/dp/B01A4WOM2K/> (Year: 2016).*

(Continued)

(21) Appl. No.: **29/750,254**

(22) Filed: **Sep. 11, 2020**

(51) **LOC (13) Cl.** **03-01**

Primary Examiner — Kevin K Rudzinski

Assistant Examiner — Amber J Rabie

(52) **U.S. Cl.**
USPC **D3/212**

(57) **CLAIM**

(58) **Field of Classification Search**
USPC D3/207, 208, 212, 215, 270, 273, 293,
D3/294, 301, 211; D6/632
CPC .. A01K 27/008; B65D 33/1625; H01H 36/00;
A45F 5/021

I claim the ornamental design for a case, as shown and
described.

DESCRIPTION

See application file for complete search history.

FIG. 1 is a perspective view of the case, showing the new
design;
FIG. 2 is a perspective view thereof, illustrated in an open
position;
FIG. 3 is an enlarged view of FIG. 2;
FIG. 4 is a front elevational view, illustrated in an open
position;
FIG. 5 is an enlarged view of FIG. 4;
FIG. 6 is a front elevational view;
FIG. 7 is a rear elevational view;
FIG. 8 is a top plan view;
FIG. 9 is a bottom plan view;
FIG. 10 is a right-side elevational view; and,
FIG. 11 is a left-side elevational view.

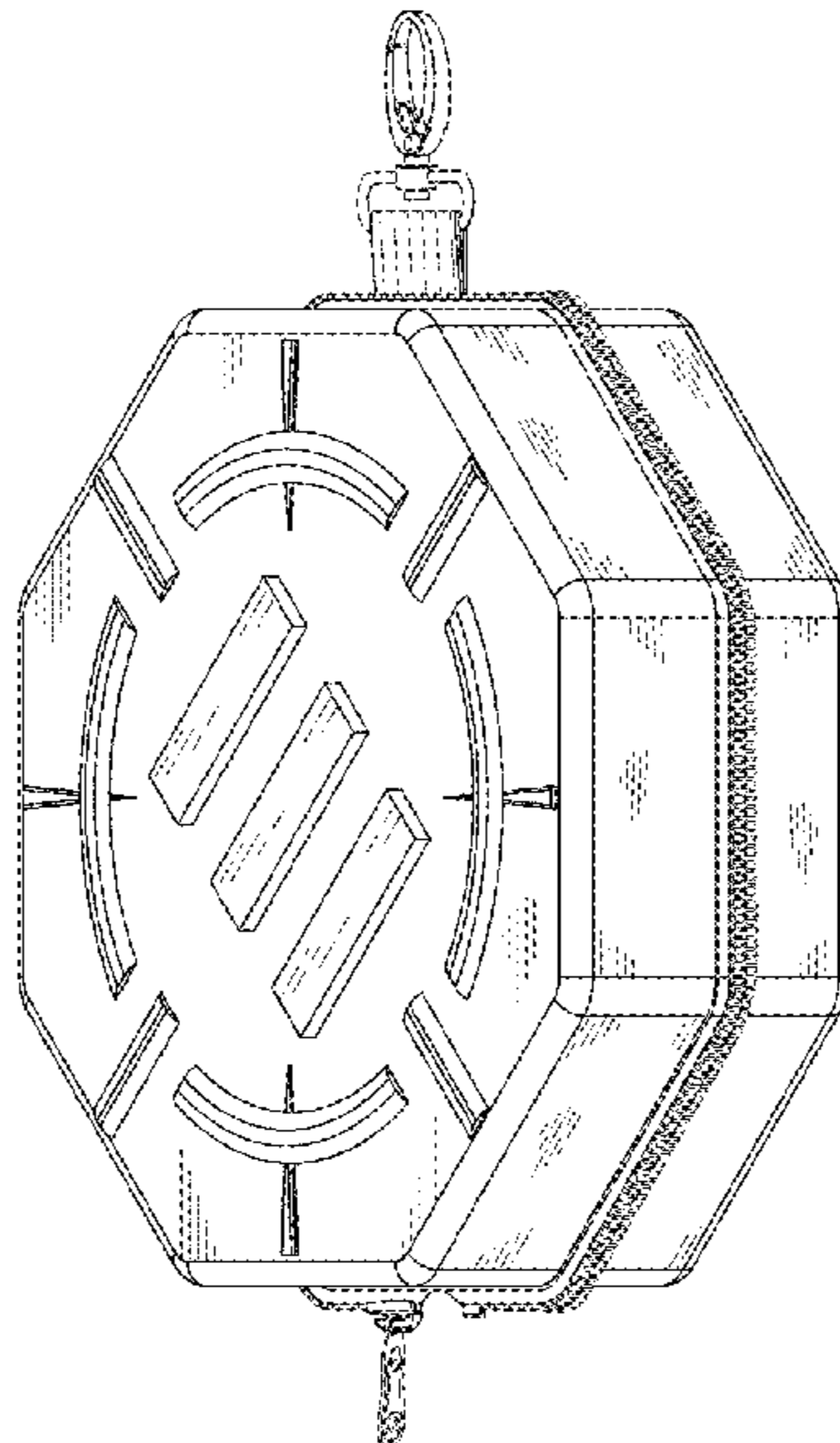
The broken lines representing a logo in the FIGS. 1, 2, 3, 4,
10 and 11, broken lines representing the boundaries of the
enlarged view of FIGS. 3 and 5, and broken lines showing
stitching in FIGS. 2-5 and 7 form no part of the claimed
design.

(56) **References Cited**

U.S. PATENT DOCUMENTS

- D56,211 S * 8/1920 Vivaudou D3/294
- 2,046,133 A * 6/1936 Rathbun B65D 43/168
217/57
- D276,470 S * 11/1984 Lo D28/64.3
- D281,730 S * 12/1985 Phu A45C 11/00
D28/78
- 4,927,015 A * 5/1990 Jones A45C 15/00
206/315.1
- D484,731 S * 1/2004 Tung A45C 11/02
D3/270
- D487,442 S * 3/2004 Wang D14/138 AB
- D518,675 S * 4/2006 Perella D6/632
- D618,906 S * 7/2010 Covington D3/208
- D629,202 S * 12/2010 Wai D3/294
- D668,457 S * 10/2012 Mimlitch, III D3/294

1 Claim, 9 Drawing Sheets



(56)

References Cited

U.S. PATENT DOCUMENTS

D886,024 S * 6/2020 Breines D12/216
2014/0251840 A1 * 9/2014 Norman A45C 11/00
206/205

OTHER PUBLICATIONS

Geekon Protective Dice Case with Foam Padding, reviewed May 9, 2019 [online], [site visited Jan. 22, 2021], available from internet. URL <<https://www.amazon.com/GEEKON-Protective-Padding-Nesting-Elastic/dp/B07PH241RQ/>> (Year: 2019).*

* cited by examiner

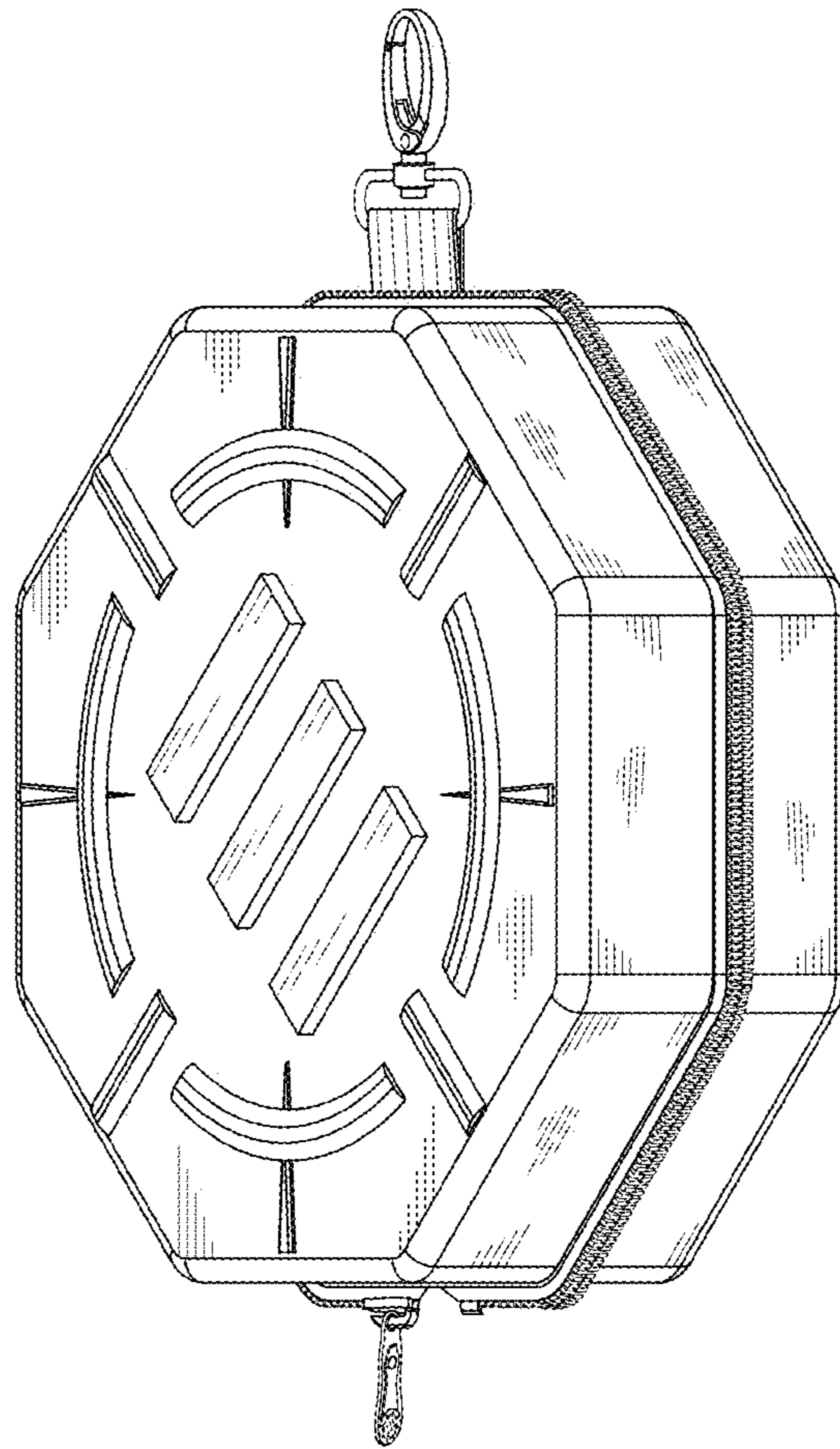


Fig. 1

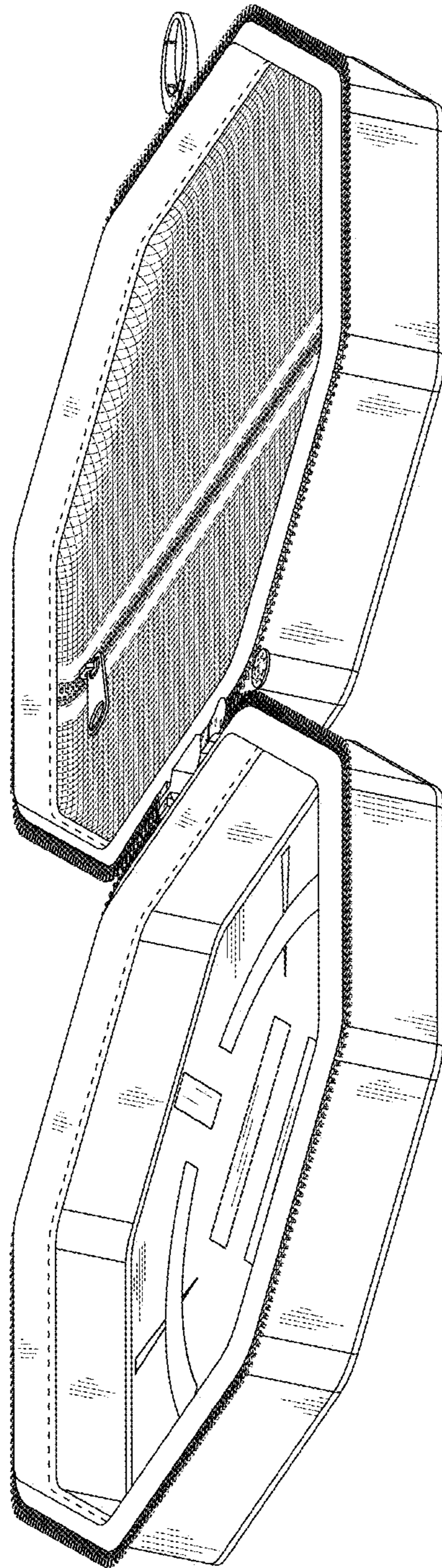


Fig. 2

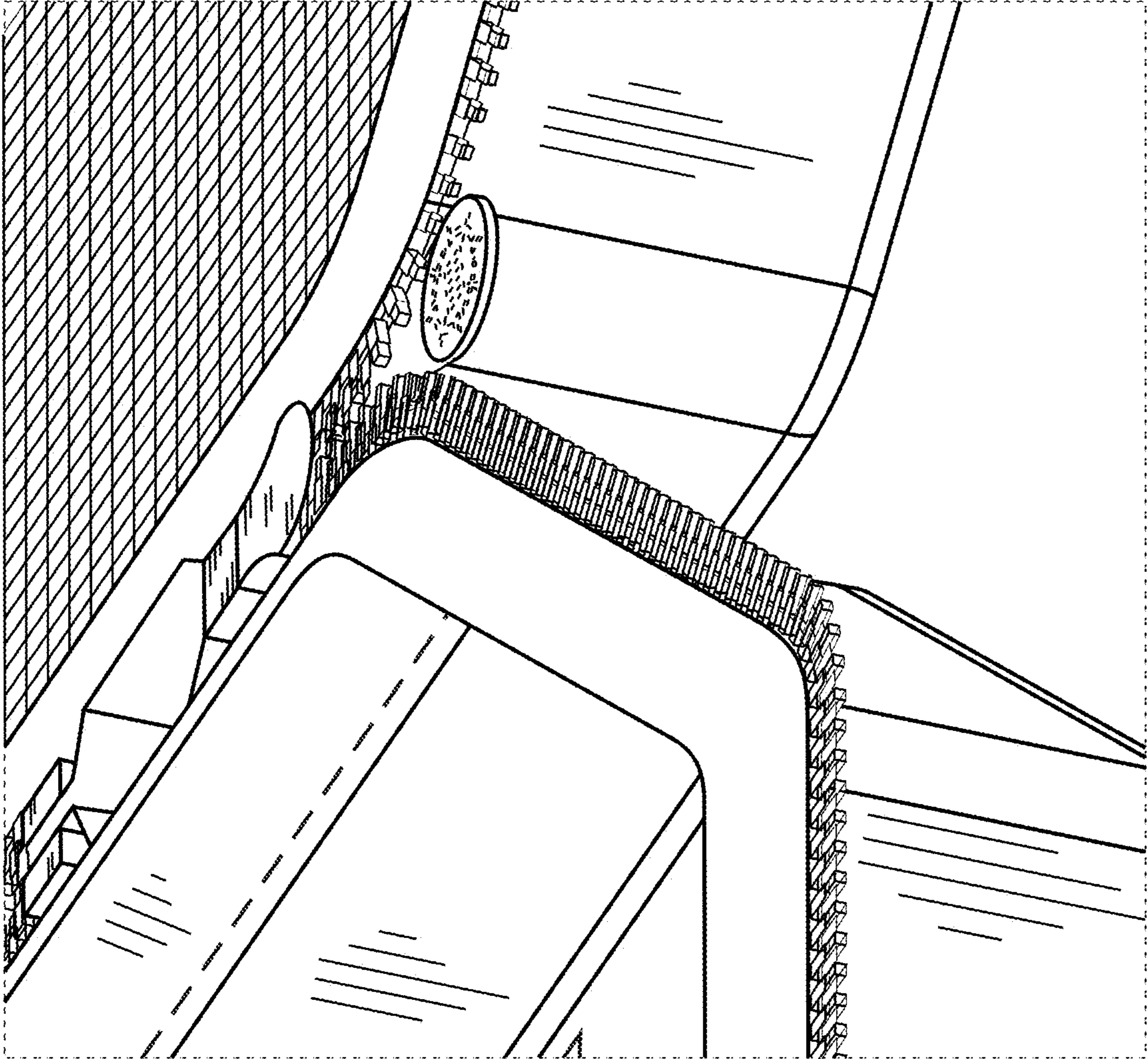


Fig. 3

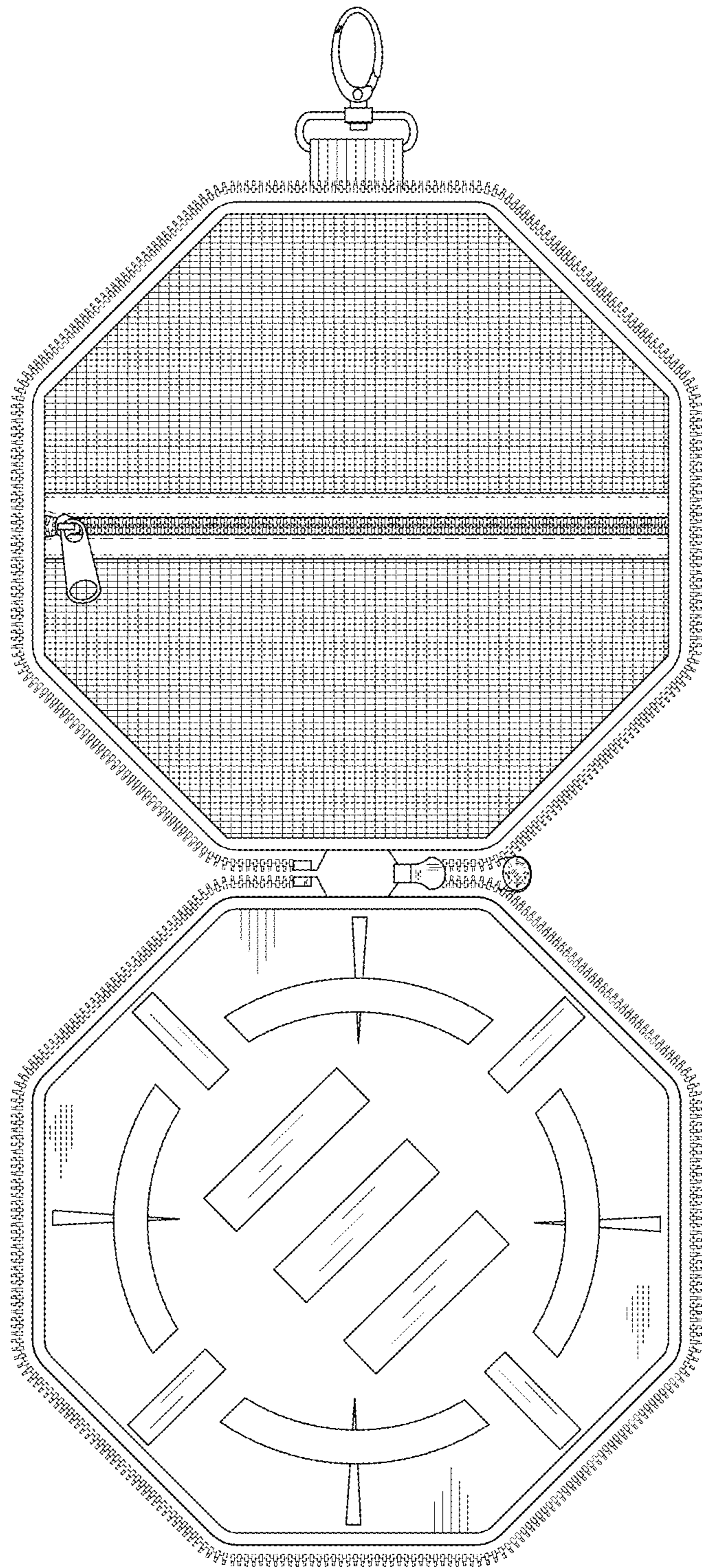


Fig. 4

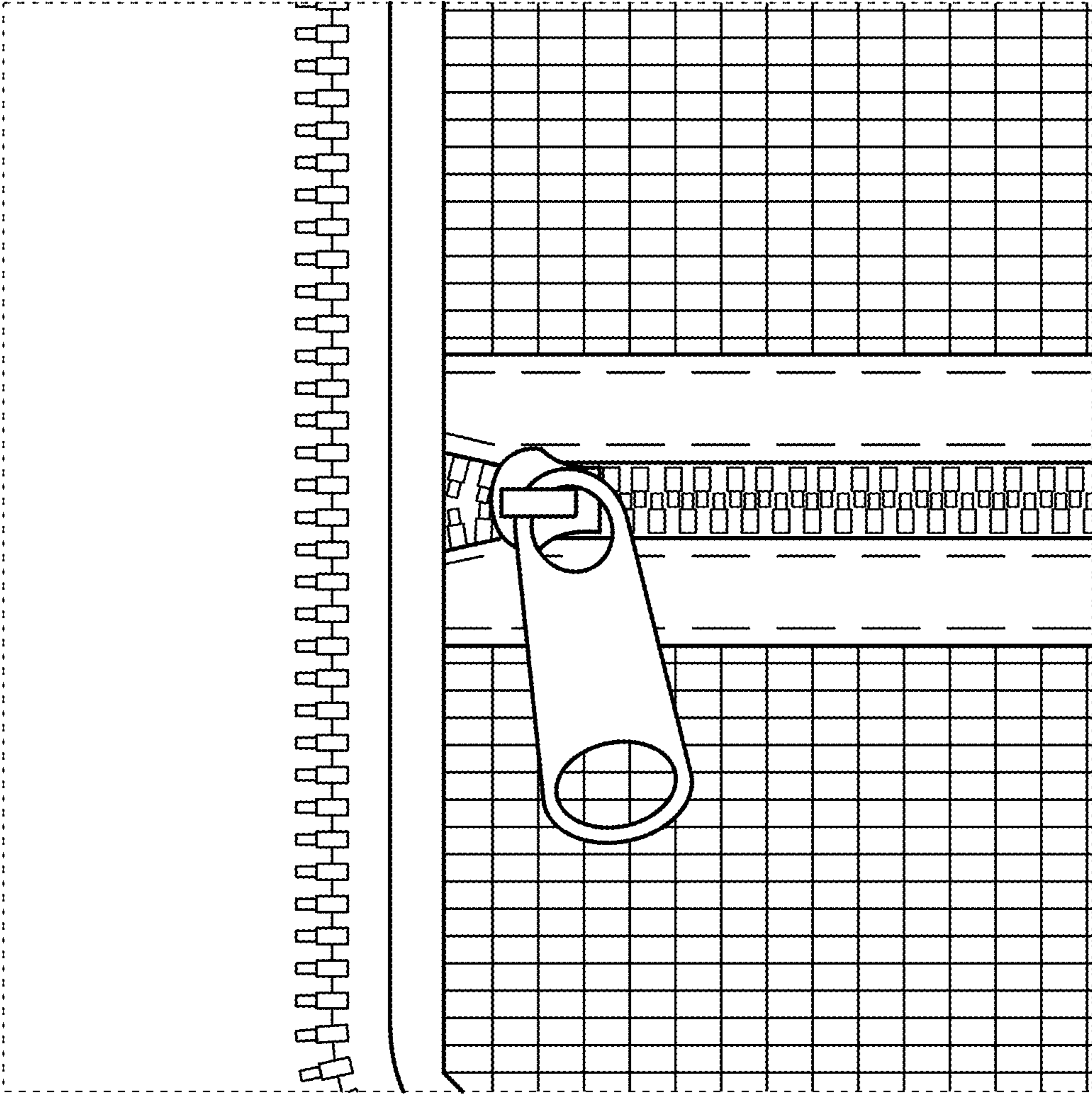


Fig. 5

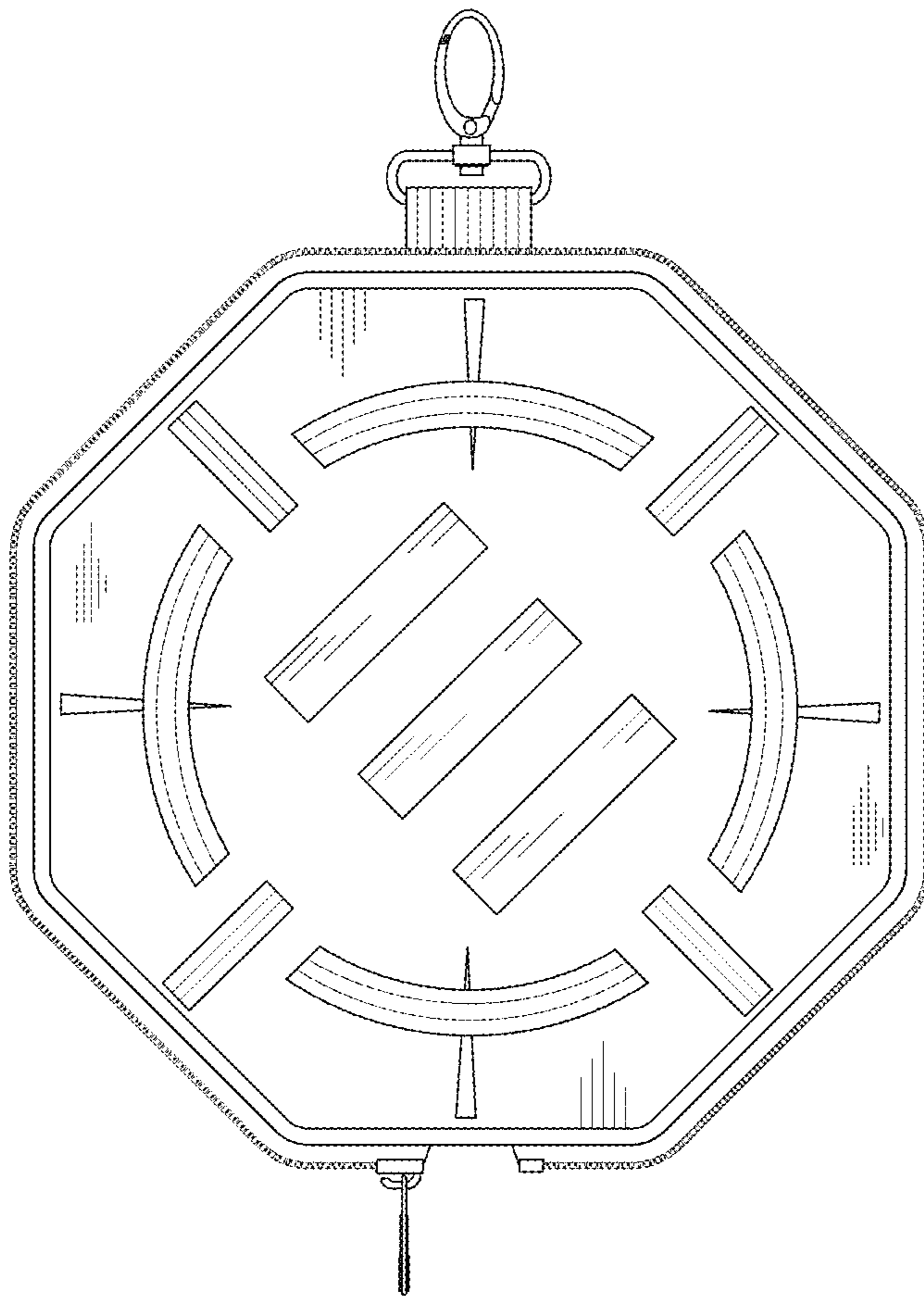


Fig. 6

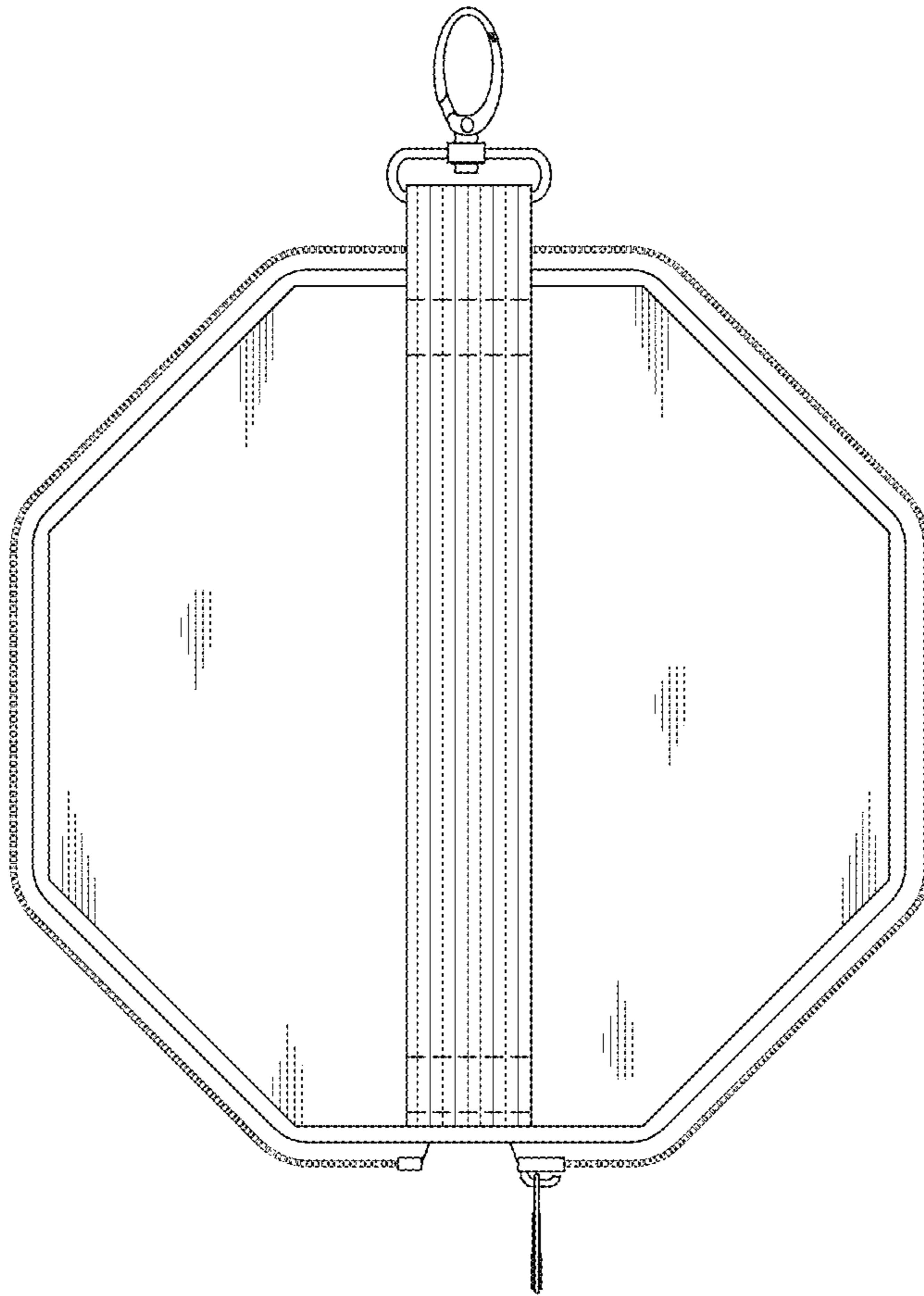


Fig. 7

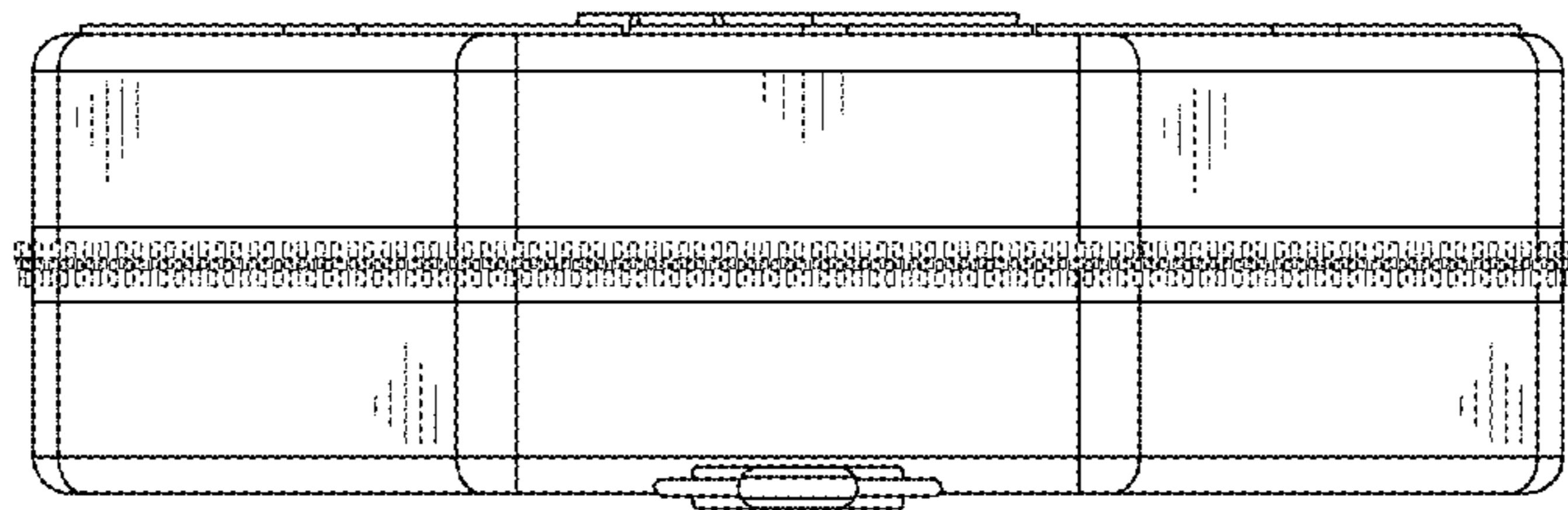


Fig. 8

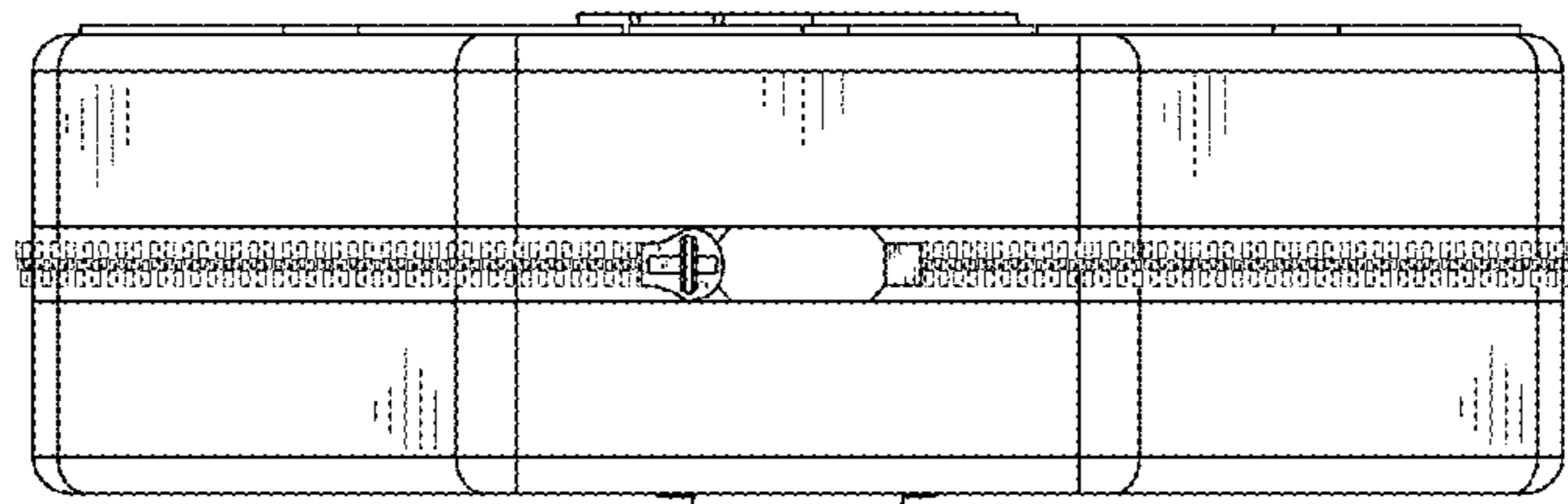


Fig. 9

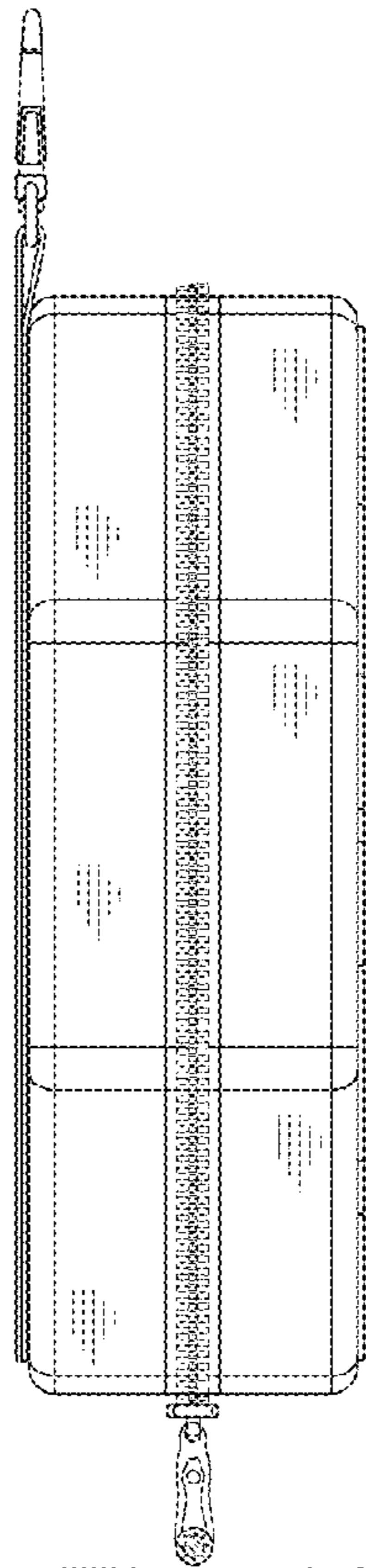


Fig. 10

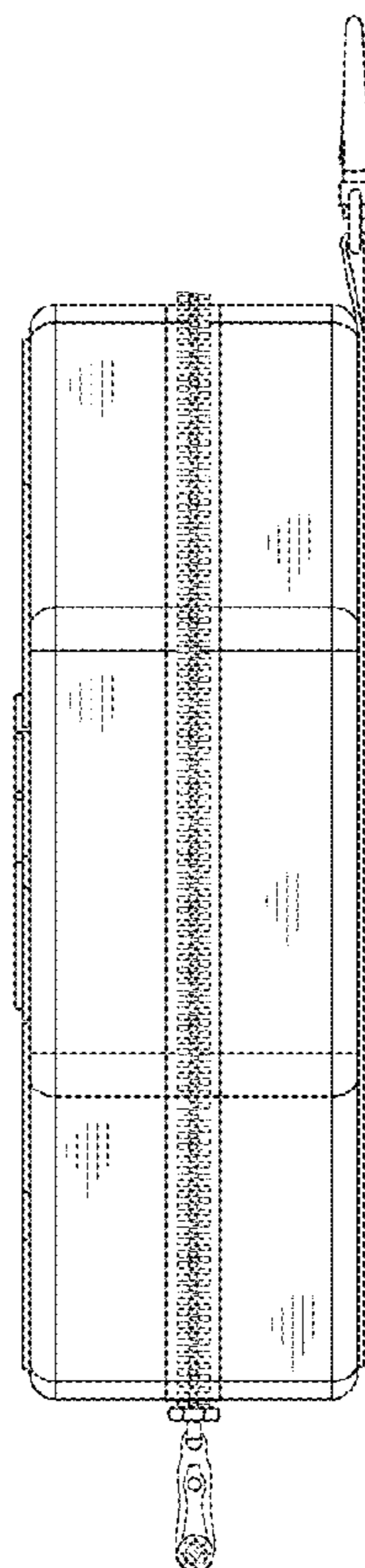


Fig. 11