



US00D933942S

(12) **United States Design Patent**
Williams

(10) **Patent No.:** **US D933,942 S**
(45) **Date of Patent:** **** Oct. 26, 2021**

- (54) **SANDAL**
- (71) Applicant: **Evan E. Williams**, Zionsville, IN (US)
- (72) Inventor: **Evan E. Williams**, Zionsville, IN (US)
- (**) Term: **15 Years**
- (21) Appl. No.: **29/703,701**
- (22) Filed: **Aug. 29, 2019**
- (51) **LOC (13) Cl.** **02-04**
- (52) **U.S. Cl.**
USPC **D2/916; D2/919**
- (58) **Field of Classification Search**
USPC D2/897-900, 916-918, 919-926, 946,
D2/969, 971
CPC ... A43B 3/12; A43B 3/101-102; A43B 3/128;
A43B 3/10; A43B 3/16
See application file for complete search history.

4,899,412 A *	2/1990	Ganon	A43B 3/101 12/142 A
5,392,532 A *	2/1995	Bray, Jr.	A43B 3/108 36/11.5
D410,324 S *	6/1999	Adjeleian	A43B 3/105 D2/919
D415,606 S *	10/1999	Bray, Jr.	A43B 3/108 D2/919
D421,829 S *	3/2000	Bray, Jr.	D2/919
D457,714 S *	5/2002	Bray, Jr.	A43B 3/102 D2/919
D586,541 S *	2/2009	Michkine	D2/919
D618,888 S *	7/2010	Durst	D2/896
D619,792 S *	7/2010	Kovacs	A43B 3/108 D2/919
D770,861 S *	11/2016	Williams	A43B 3/106 D7/610

* cited by examiner

Primary Examiner — Rashida C. Walshon

(57) **CLAIM**

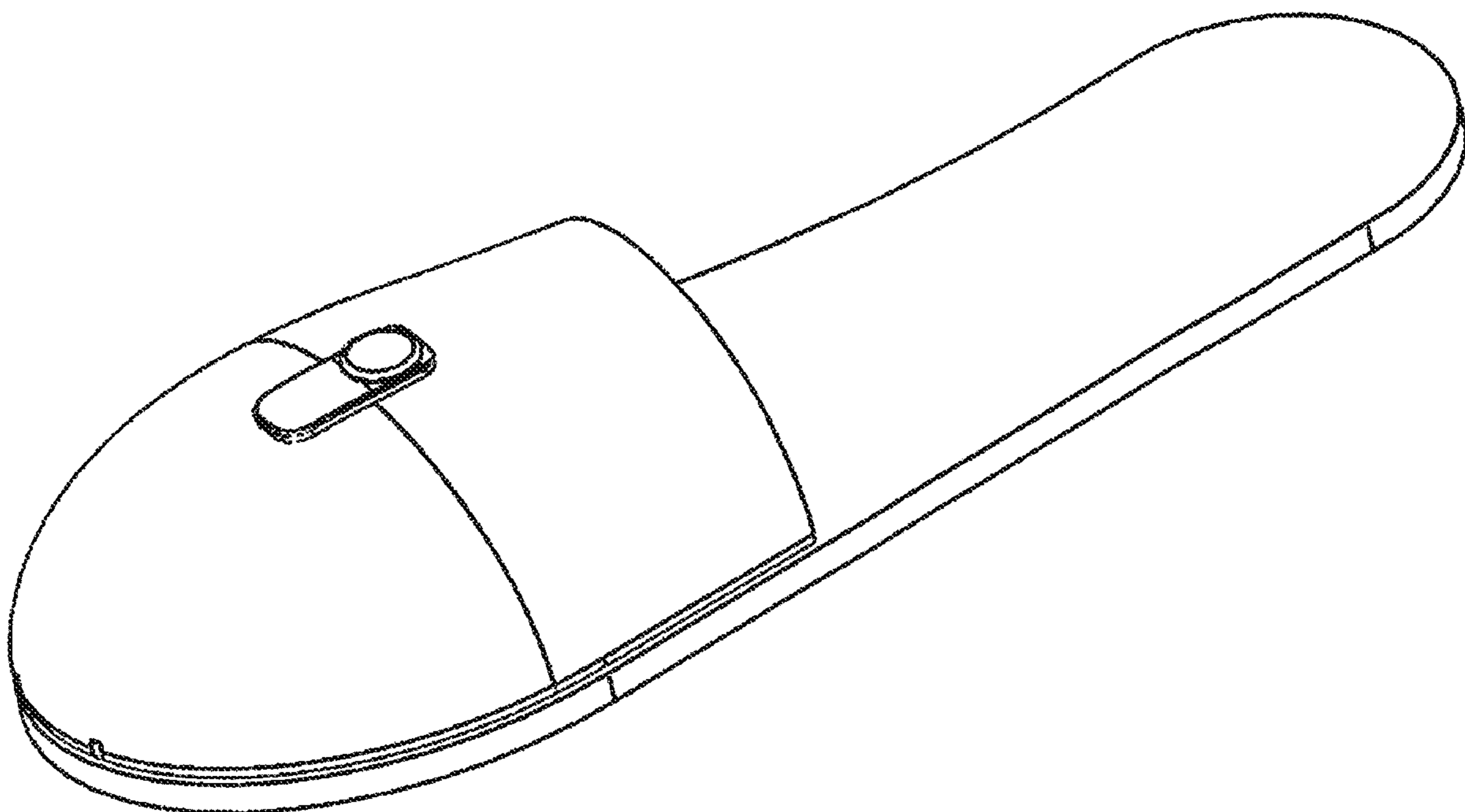
The ornamental design for a sandal, as shown and described.

DESCRIPTION

FIG. 1 is a perspective view of a sandal showing my new design;
 FIG. 2 is a front elevational view thereof;
 FIG. 3 is a side elevational view thereof;
 FIG. 4 is a side elevational view thereof, from a side opposite that of FIG. 3;
 FIG. 5 is a top view thereof; and,
 FIG. 6 is a bottom view thereof, opposite that of FIG. 5.

1 Claim, 6 Drawing Sheets

- (56) **References Cited**
U.S. PATENT DOCUMENTS
- 1,770,698 A * 7/1930 Horowitz A43B 3/108
36/9 R
- 2,069,752 A * 2/1937 Dorr A43B 3/102
36/11.5
- 3,095,656 A * 7/1963 Lipare A43B 3/105
36/91
- 3,874,100 A * 4/1975 Schwitters A43B 3/106
36/11.5
- 4,145,822 A * 3/1979 Mitchell A43B 3/24
36/87



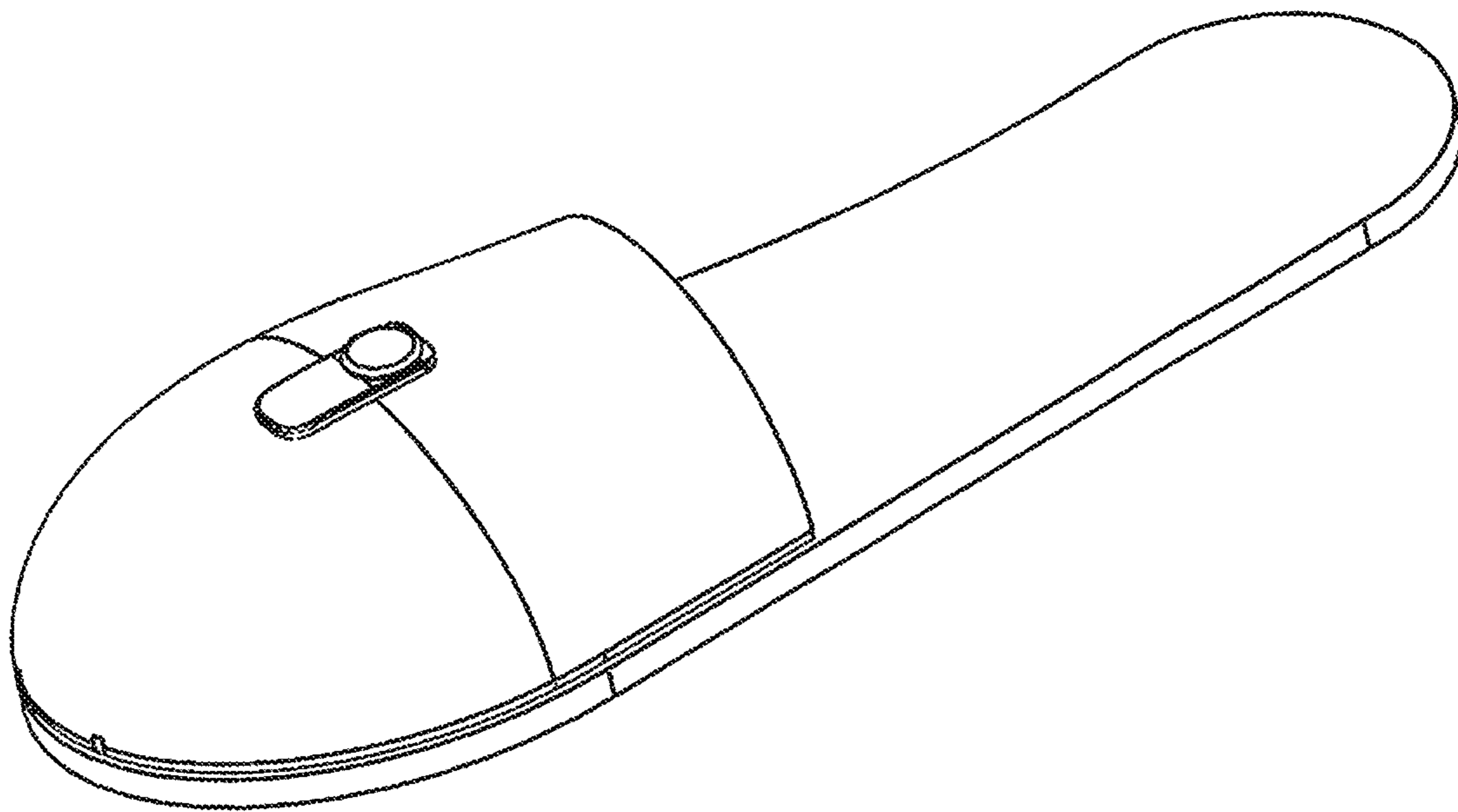


FIG. 1

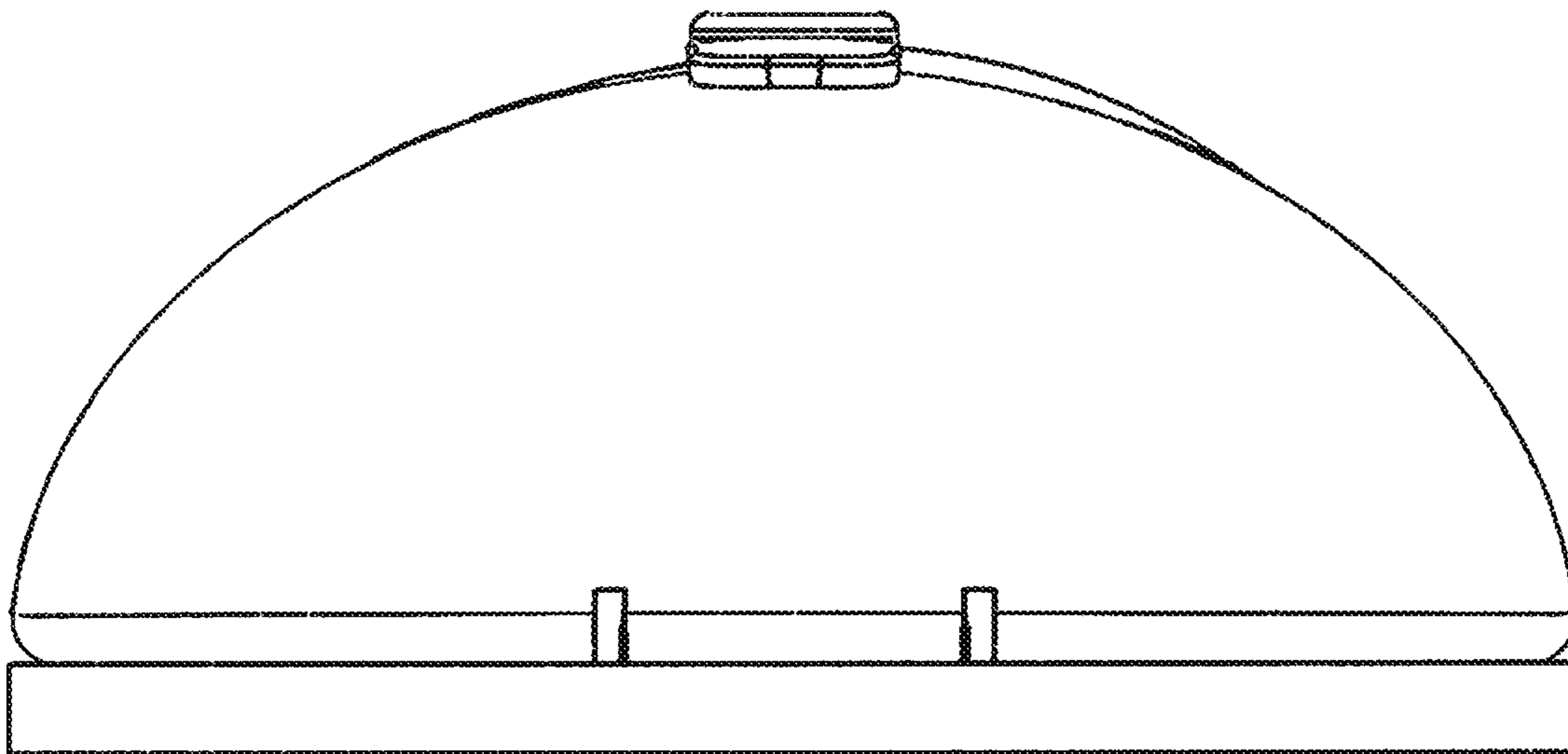


FIG. 2

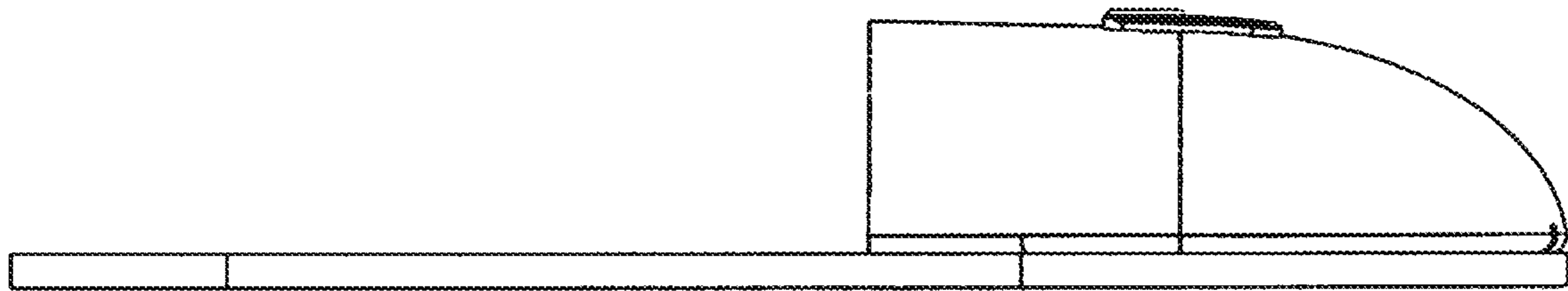


FIG. 3

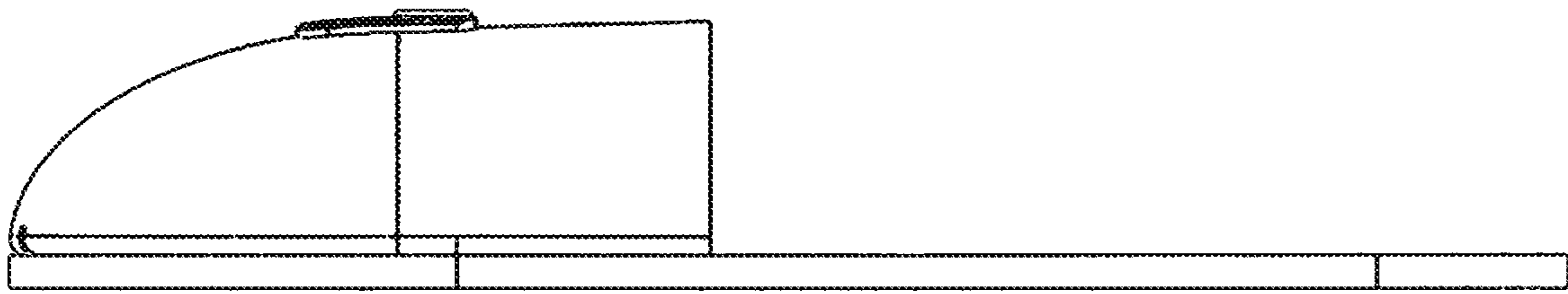


FIG. 4

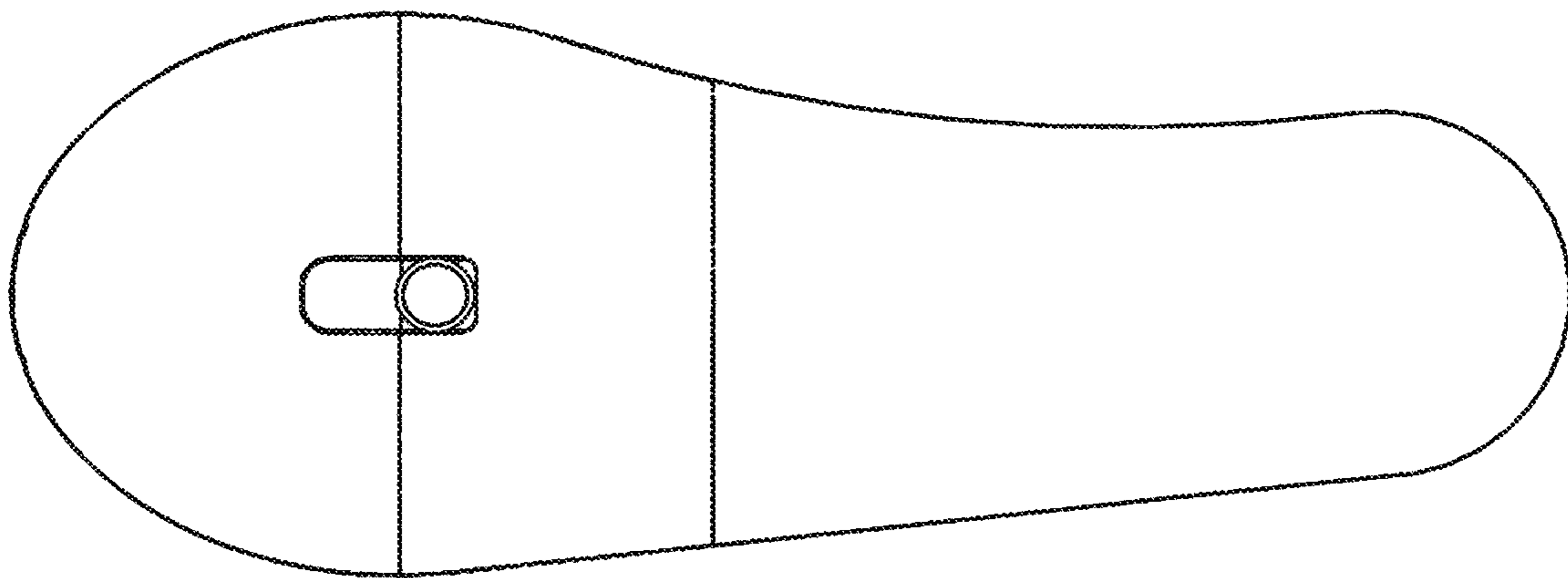


FIG. 5



FIG. 6