



US00D933933S

(12) **United States Design Patent**
Baikie

(10) **Patent No.:** **US D933,933 S**

(45) **Date of Patent:** **** Oct. 26, 2021**

(54) **SHOE TREAT**

(71) Applicant: **Redbarn Pet Products LLC**, Long Beach, CA (US)

(72) Inventor: **Jeffrey Baikie**, Seal Beach, CA (US)

(73) Assignee: **REDBARN PET PRODUCTS, LLC**, Long Beach, CA (US)

(**) Term: **15 Years**

(21) Appl. No.: **29/734,555**

(22) Filed: **May 13, 2020**

(51) **LOC (13) Cl.** **01-01**

(52) **U.S. Cl.**
USPC **D1/106; D2/907**

(58) **Field of Classification Search**
USPC D1/100–130, 199; 426/104, 115, 121, 426/129, 130, 144, 249, 274, 303, 414, 426/420; D6/350, 358, 674; D2/925, D2/939, 941, 946, 950; D7/515, 559, D7/689; D19/69, 91; 294/27.1
CPC . B65F 1/141; A47G 23/0225; A47G 23/0241; A21D 13/0025
See application file for complete search history.

(56) **References Cited**

U.S. PATENT DOCUMENTS

D566,376 S	*	4/2008	Askew	D1/106
D615,734 S	*	5/2010	Di Nucci	D2/907
D731,761 S	*	6/2015	Carroll	D2/907
D735,976 S	*	8/2015	Siegel	D2/908
D760,483 S	*	7/2016	Siegel	D2/908

D785,295 S	*	5/2017	Carroll	D2/902
D851,870 S	*	6/2019	Gallo	D2/907
D858,954 S	*	9/2019	Sassi	D2/907
D874,097 S	*	2/2020	Fang	D2/896
D875,355 S	*	2/2020	Fang	D2/896
D882,215 S	*	4/2020	Comazzetto	D2/907
D891,042 S	*	7/2020	Gallo	D2/902
D910,284 S	*	2/2021	Sassi	D2/907

* cited by examiner

Primary Examiner — Katie Jane Stofko

(74) *Attorney, Agent, or Firm* — Foley & Lardner LLP; Sunit Talapatra

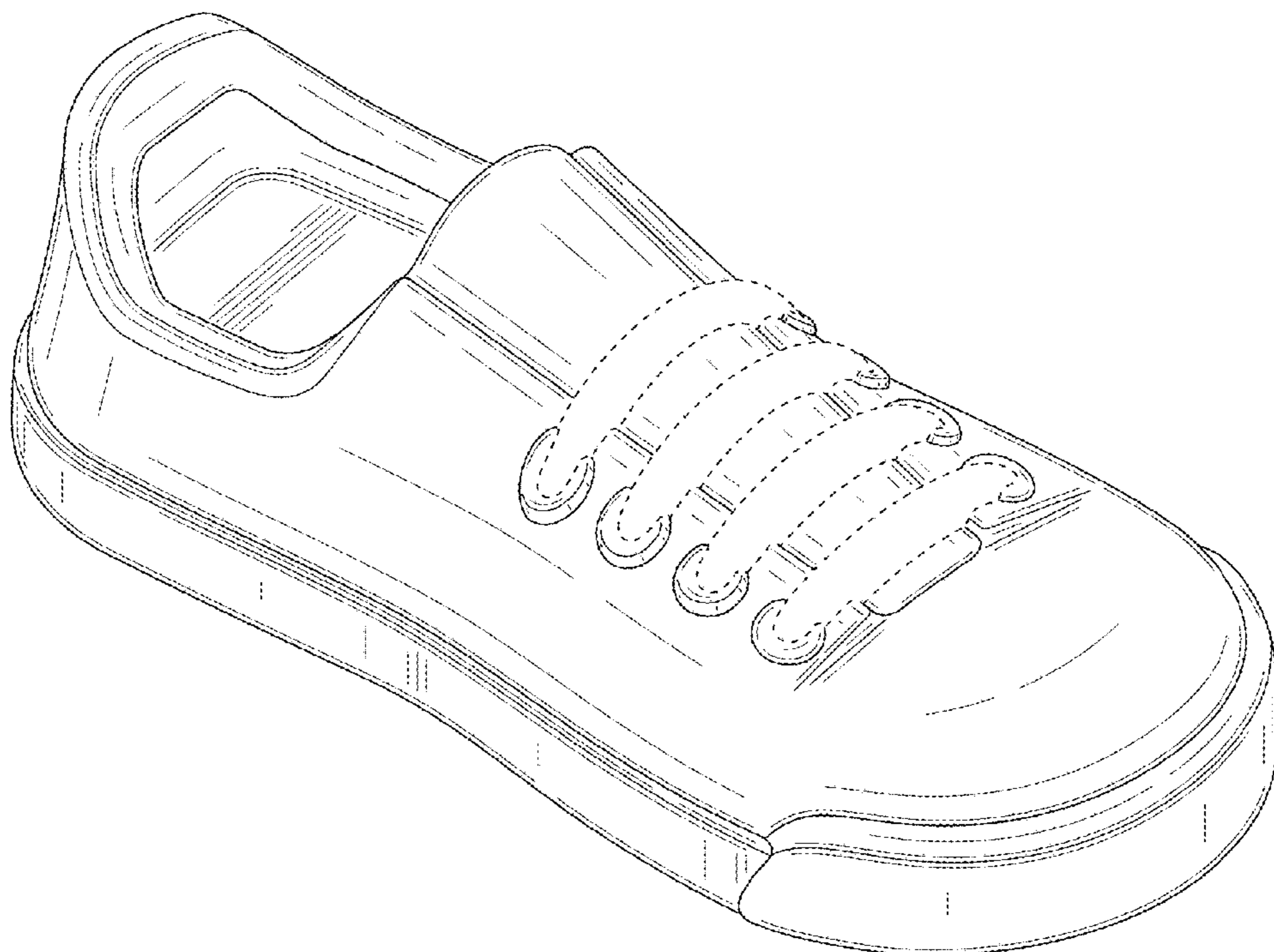
(57) **CLAIM**

I claim the ornamental design for a shoe treat, as shown and described.

DESCRIPTION

FIG. 1 is a top perspective view of a shoe treat; FIG. 2 is a top view thereof; FIG. 3 is a bottom view thereof; FIG. 4 is a front view thereof; FIG. 5 is a rear side view thereof; FIG. 6 is a right side view thereof; FIG. 7 is a left side view thereof; and, FIG. 8 is a bottom perspective view thereof. The ornamental design which is claimed is shown in solid lines in the drawings. The broken lines of equal length dashes in the drawings are for illustrative purposes, depict environmental subject matter, and form no part of the claimed design.

1 Claim, 8 Drawing Sheets



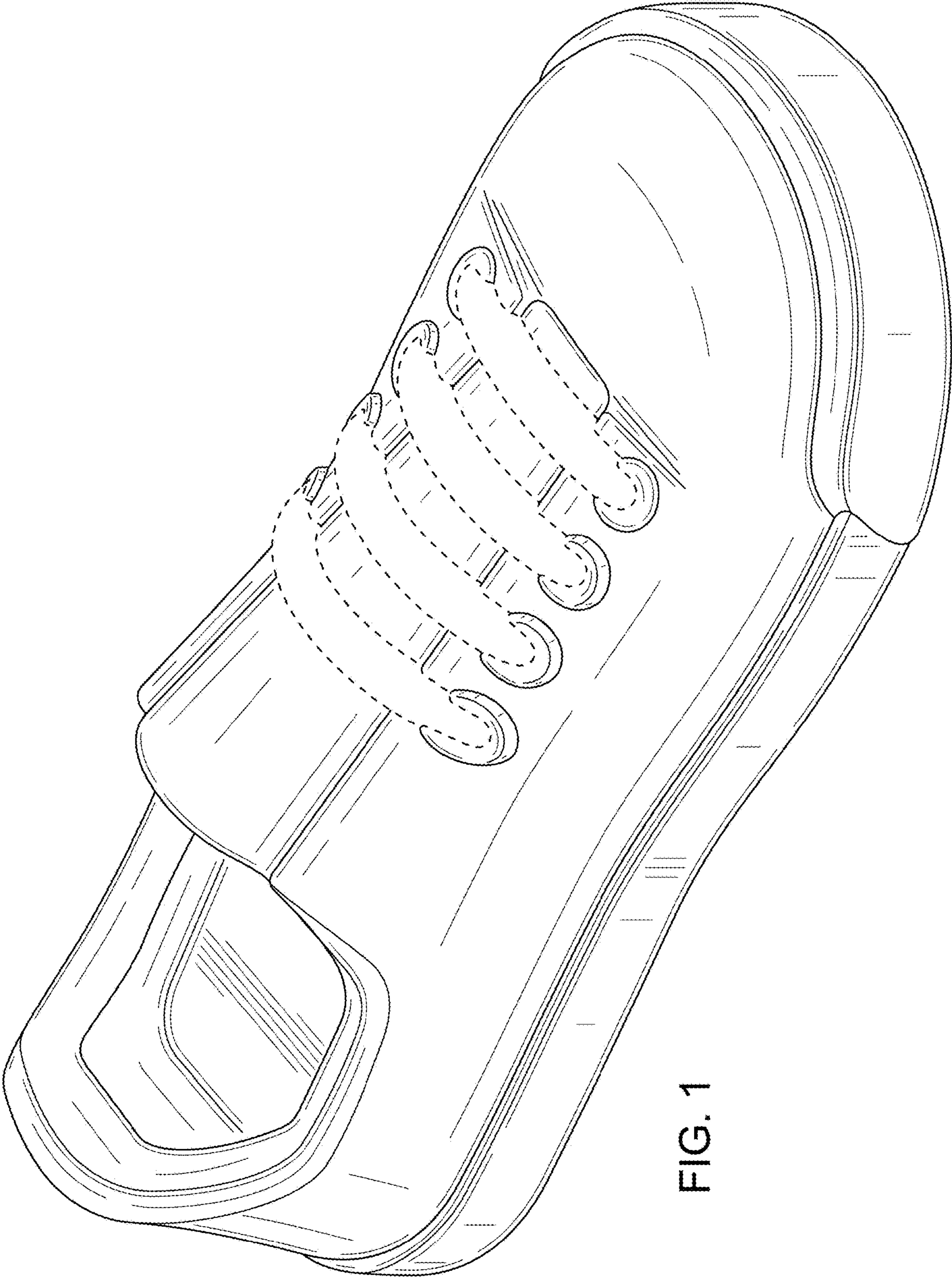


FIG. 1

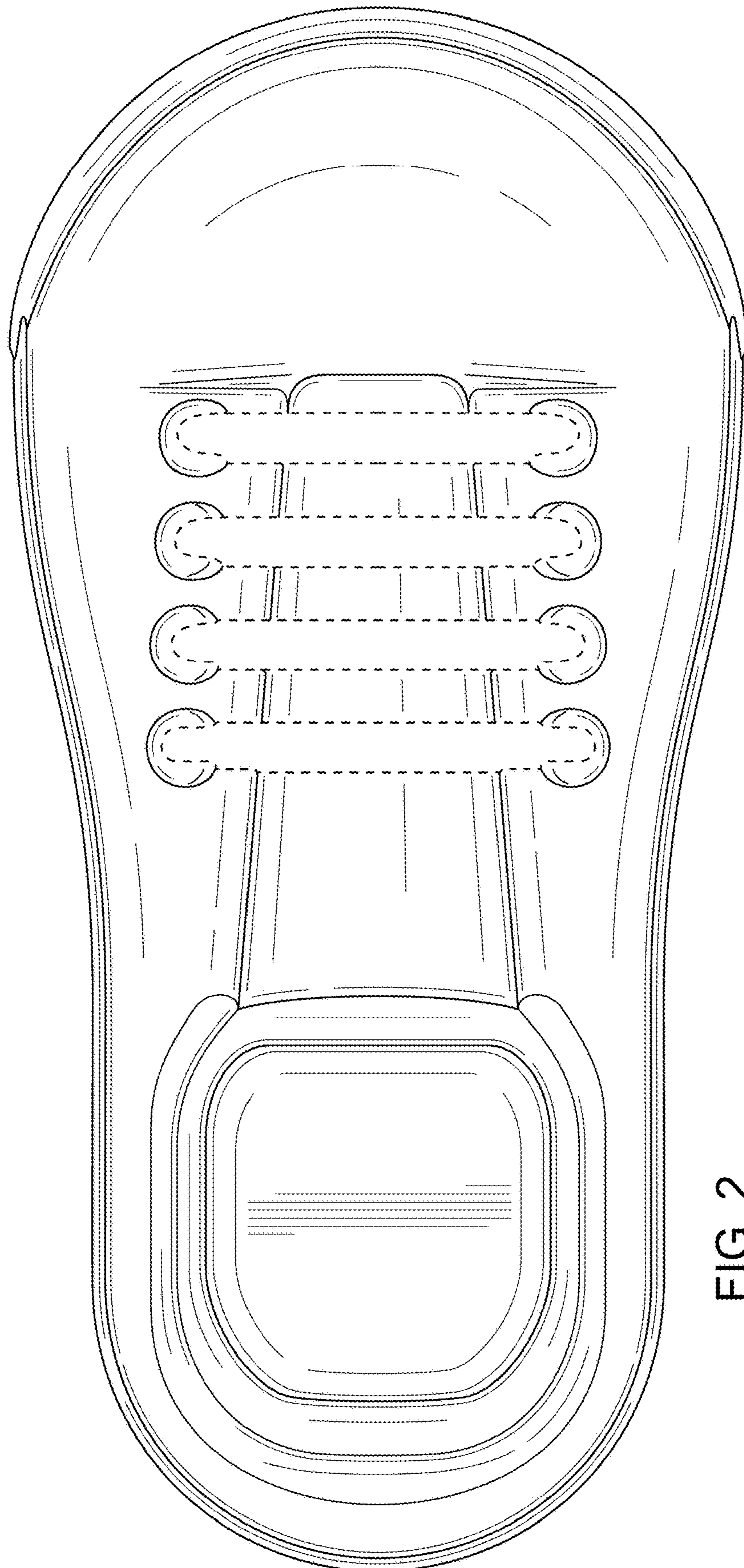


FIG. 2

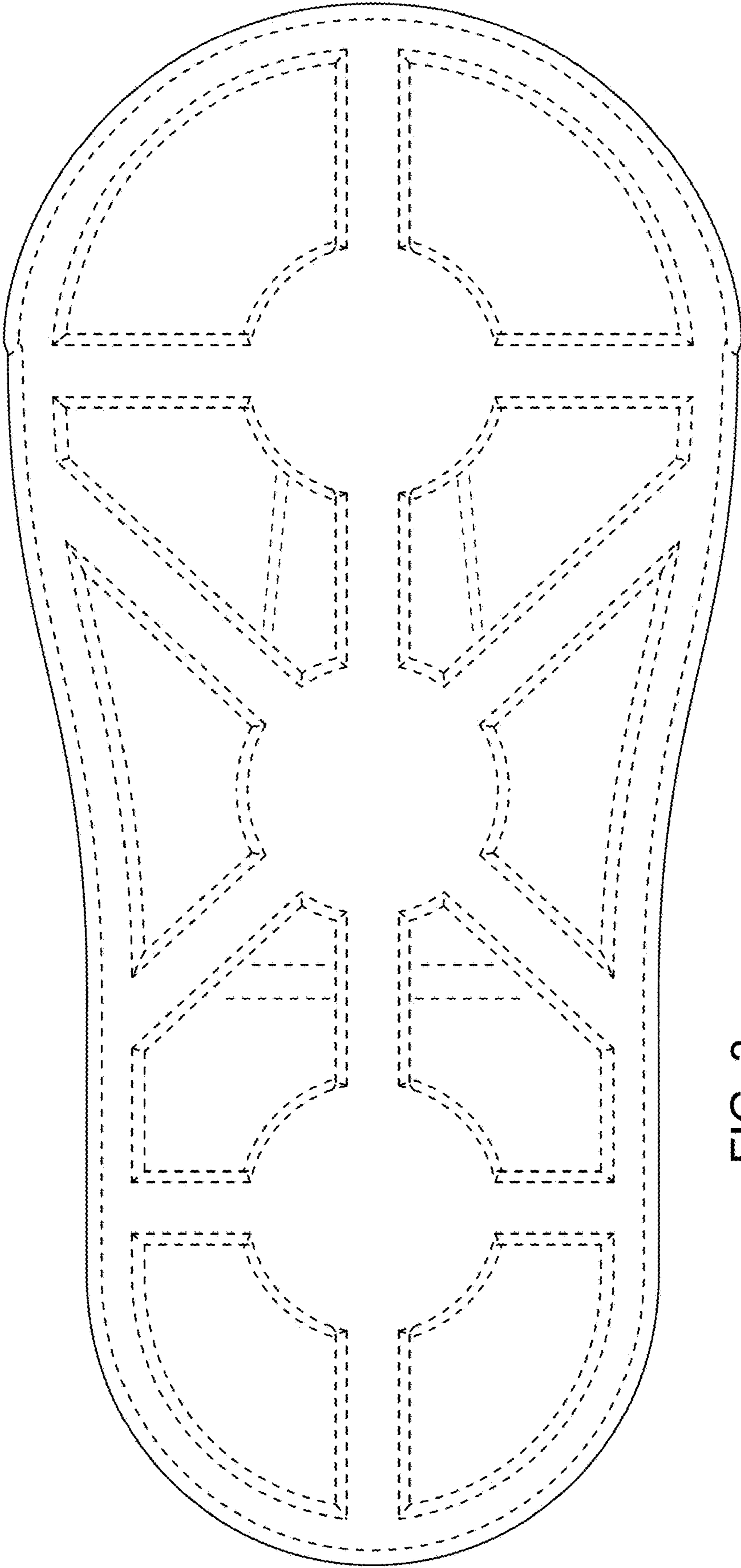


FIG. 3

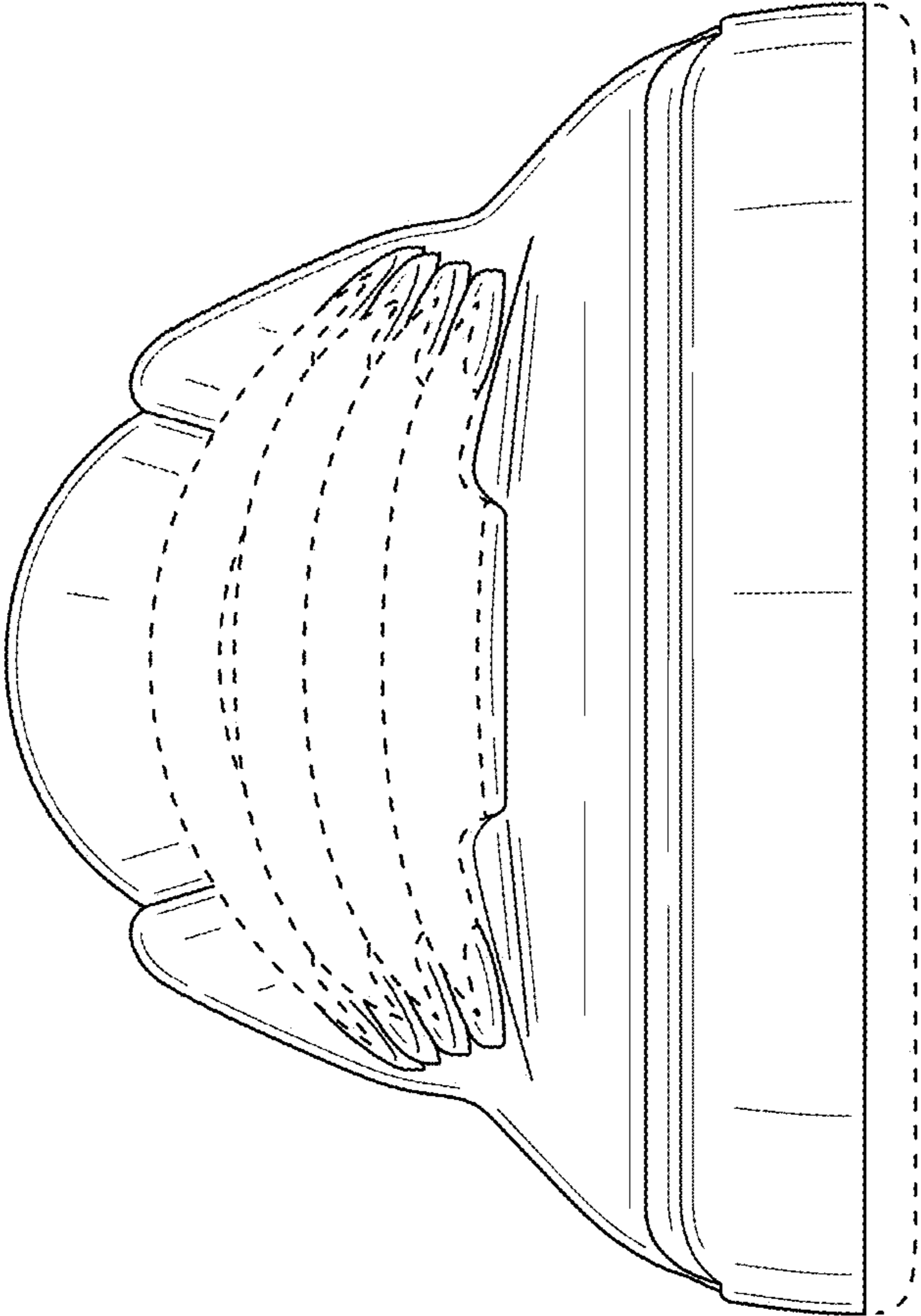


FIG. 4

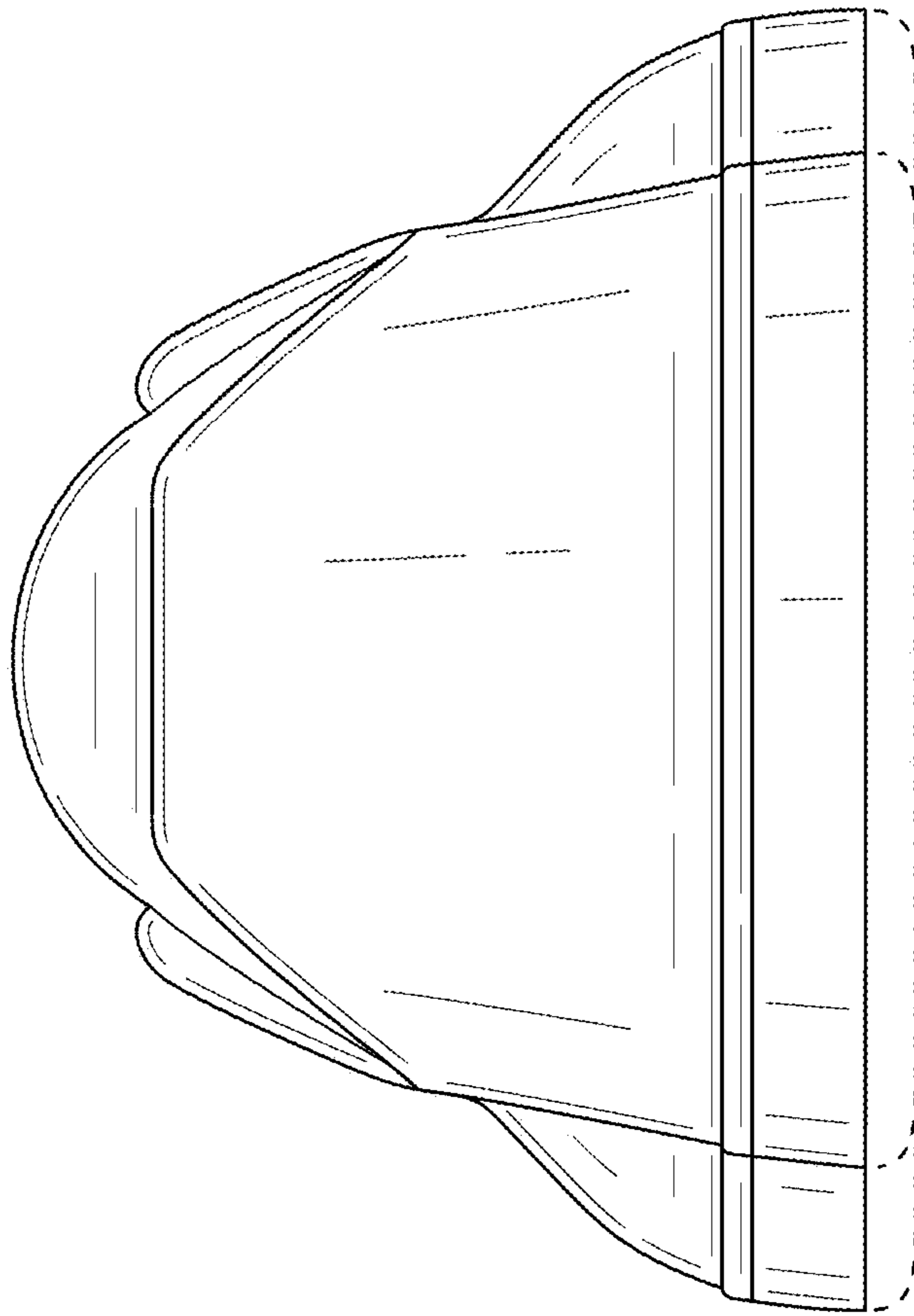


FIG. 5

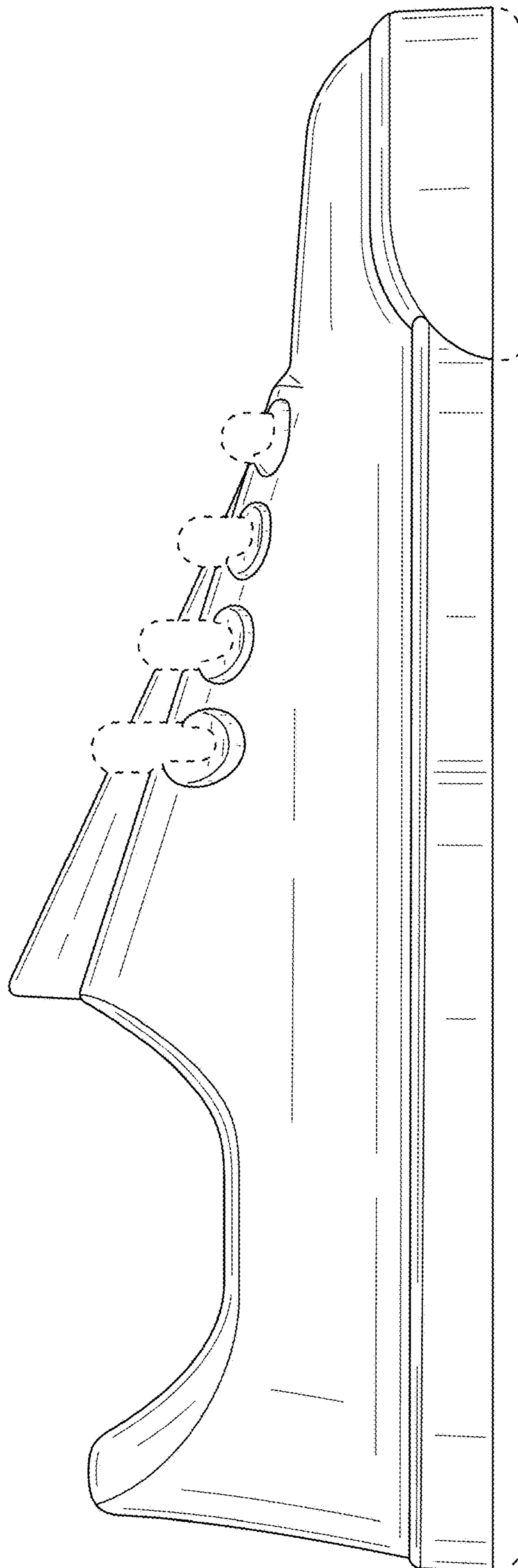


FIG. 6

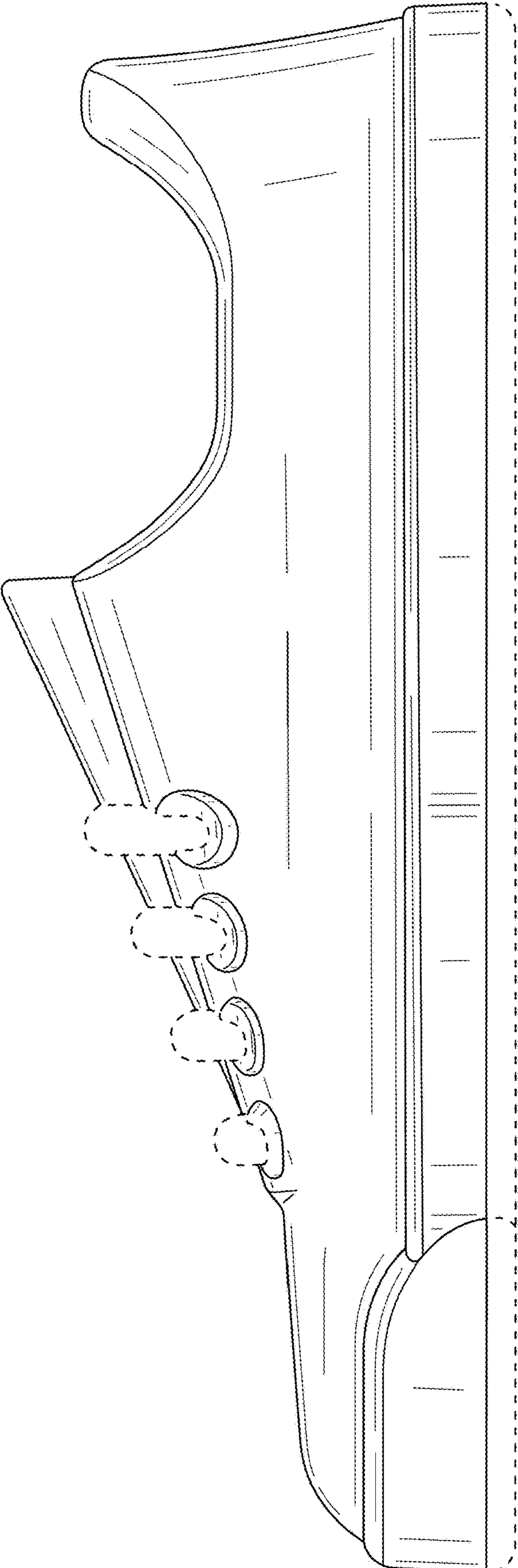


FIG. 7

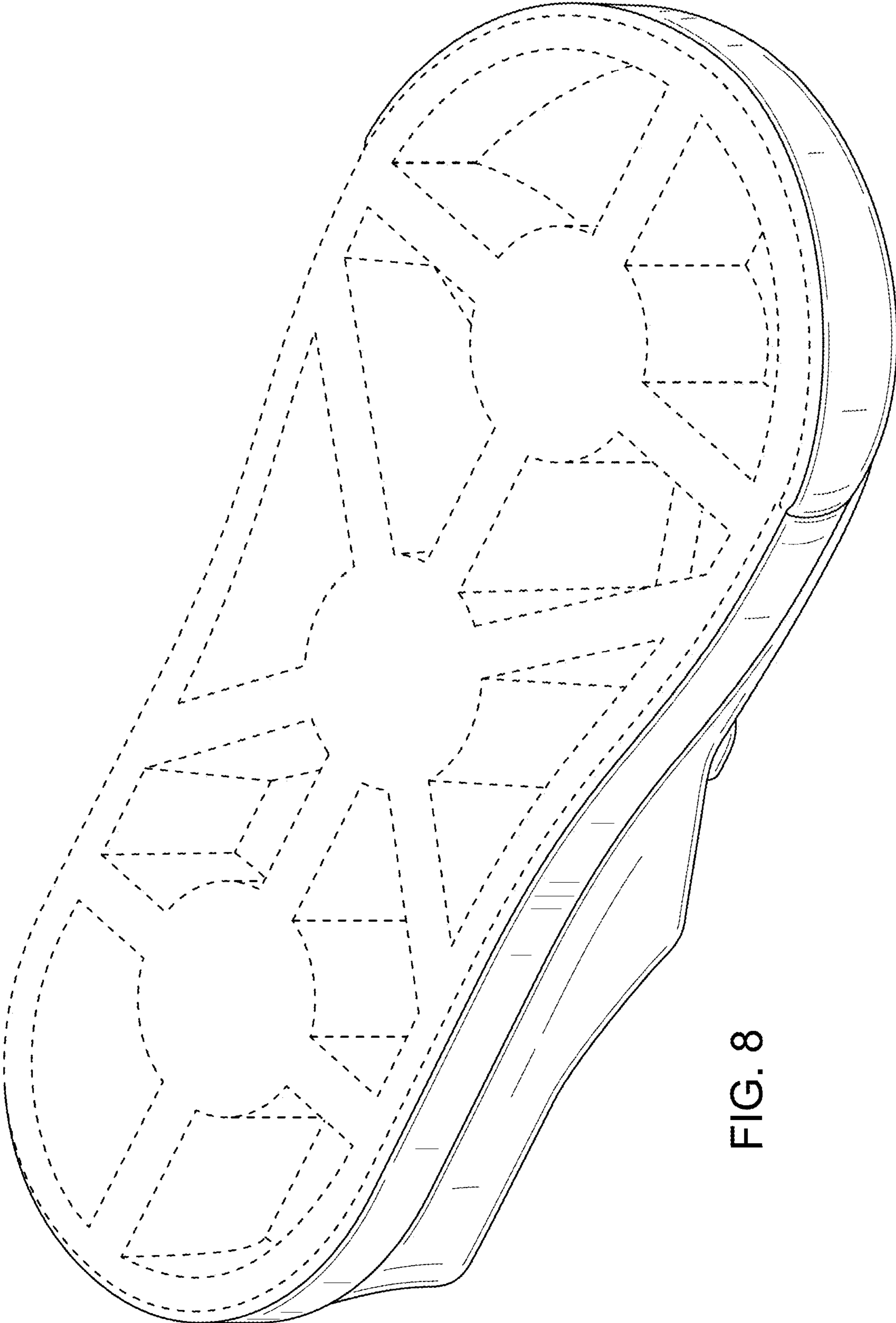


FIG. 8