



US00D933930S

(12) **United States Design Patent** (10) **Patent No.:** **US D933,930 S**  
**Dai et al.** (45) **Date of Patent:** **\*\* Oct. 19, 2021**

(54) **TRANSPORT ROBOT**

OTHER PUBLICATIONS

(71) Applicant: **ZHEJIANG GUOZI ROBOTICS CO., LTD.**, Zhejiang (CN)

(72) Inventors: **Jinqiu Dai**, Zhejiang (CN); **Lvjun Jin**, Zhejiang (CN)

(73) Assignee: **ZHEJIANG GUOZI ROBOTICS CO., LTD.**, Zhejiang (CN)

(\*\*) Term: **15 Years**

(21) Appl. No.: **29/710,506**

(22) Filed: **Oct. 23, 2019**

(30) **Foreign Application Priority Data**

Apr. 24, 2019 (CN) ..... 201930193387.0

(51) **LOC (13) Cl.** ..... **12-05**

(52) **U.S. Cl.**  
USPC ..... **D34/34**

(58) **Field of Classification Search**  
USPC ..... D34/28-38; D15/199  
CPC ..... B66F 7/00; B66F 7/10; B66F 7/24; B66F 9/061; B66F 9/063; B66F 9/24  
See application file for complete search history.

(56) **References Cited**

U.S. PATENT DOCUMENTS

6,125,971 A \* 10/2000 Niebuhr ..... B66F 9/20  
187/231  
D562,525 S \* 2/2008 Graf ..... D34/34  
D565,270 S \* 3/2008 Ruppert ..... D34/34  
D583,124 S \* 12/2008 Stark ..... D34/34  
D608,523 S \* 1/2010 Knie ..... D34/34  
D752,312 S \* 3/2016 Chen ..... D34/34  
D756,589 S \* 5/2016 Knie ..... D34/34  
2016/0257541 A1 \* 9/2016 Chan ..... B66F 9/08  
2019/0322509 A1 \* 10/2019 Jianming ..... B66F 9/07531  
2020/0239293 A1 \* 7/2020 Onishi ..... B66F 9/24

Guozi Slim, announced 2020 [online], [site visited Apr. 1, 2021]. Available from internet, URL: <http://www.smartlogisticsolutions.com/product/detail/id/10015.html> (Year: 2020).\*

Innolift, announced 2021 [online], [site visited Apr. 1, 2021]. Available from internet, URL: <https://materialhandlingsolutions.theonlinecatalog.com/products/innolift-automatic-self-loading-stacker-small/> (Year: 2021).\*

\* cited by examiner

*Primary Examiner* — George A Bugg

*Assistant Examiner* — Tamara L Hahn

(74) *Attorney, Agent, or Firm* — Yue (Robert) Xu; Apex Attorneys at Law, LLP

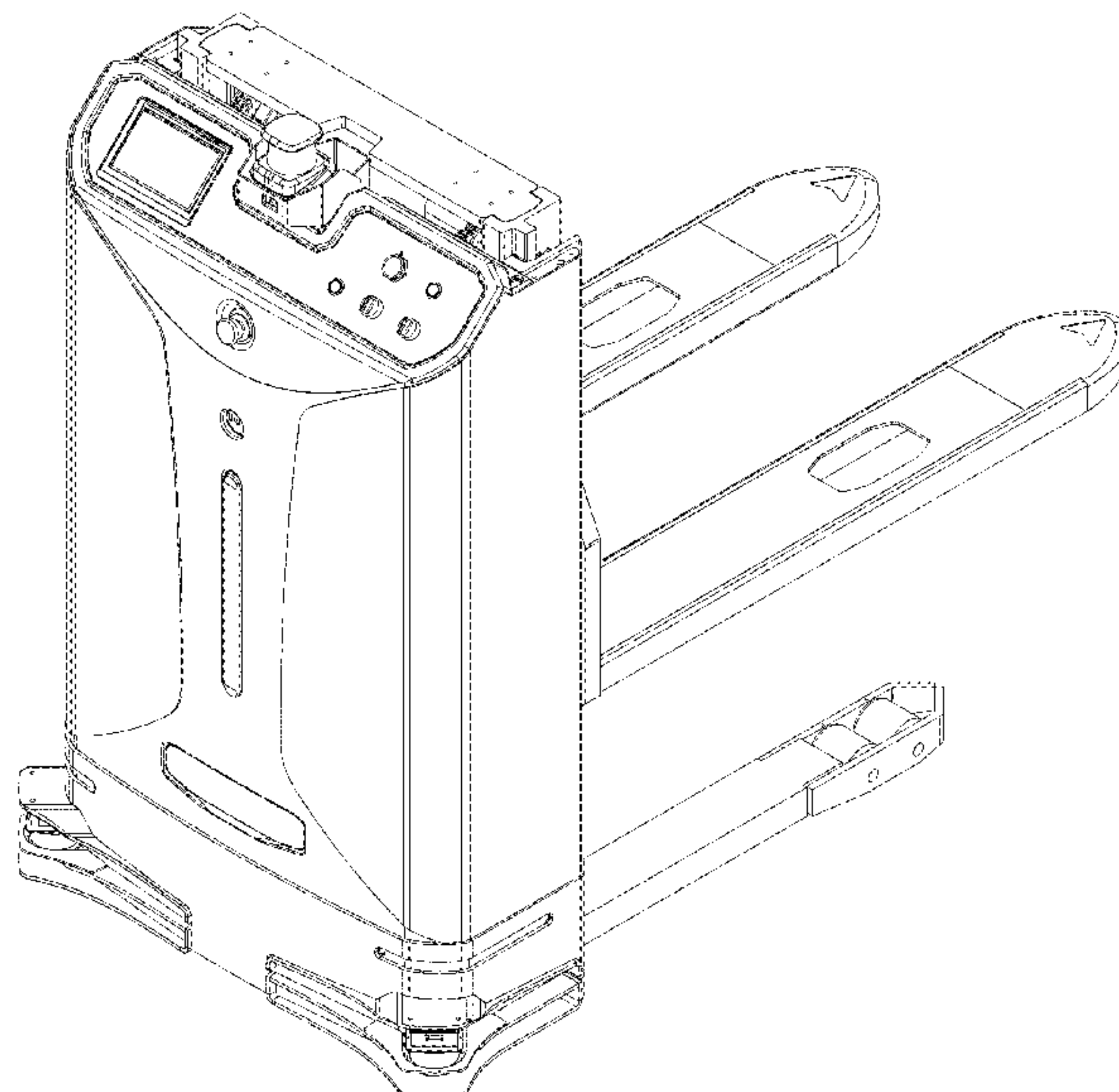
(57) **CLAIM**

The ornamental design for a transport robot, as shown and described.

**DESCRIPTION**

FIG. 1 is a front view of a transport robot according to the present application, showing our new design;  
FIG. 2 is a rear view thereof;  
FIG. 3 is a left view thereof;  
FIG. 4 is a right view thereof;  
FIG. 5 is a top view thereof;  
FIG. 6 is a bottom view thereof;  
FIG. 7 is a first perspective view thereof;  
FIG. 8 is a second perspective view thereof;  
FIG. 9 is an enlarged view taken along line 9 of FIG. 1; and,  
FIG. 10 is an enlarged view taken along line 10 of FIG. 2.  
The broken lines in FIGS. 1, 2, 9 and 10 are to show enlarged portions of the transport robot and form no part of the claimed design.

**1 Claim, 10 Drawing Sheets**



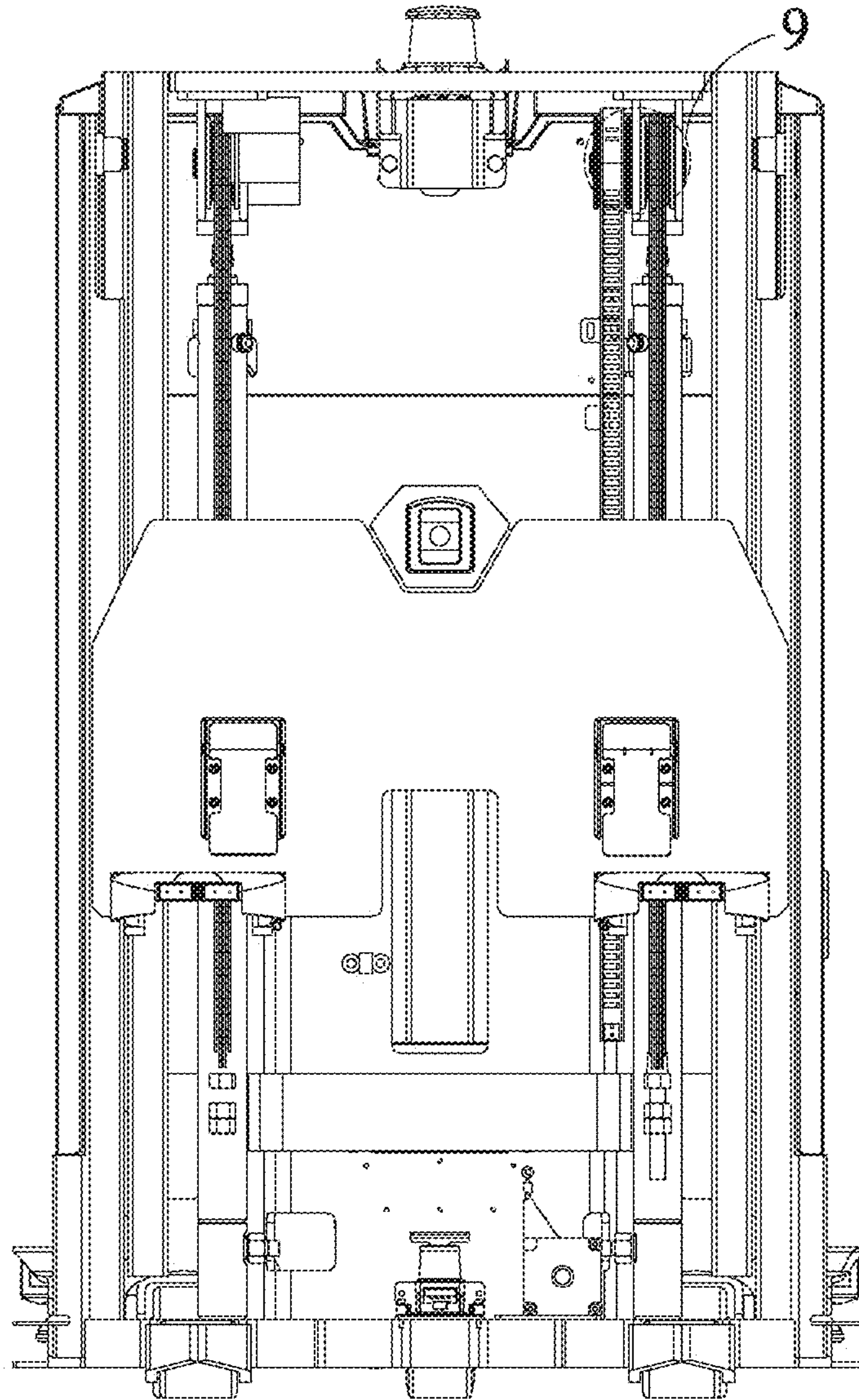


Fig. 1

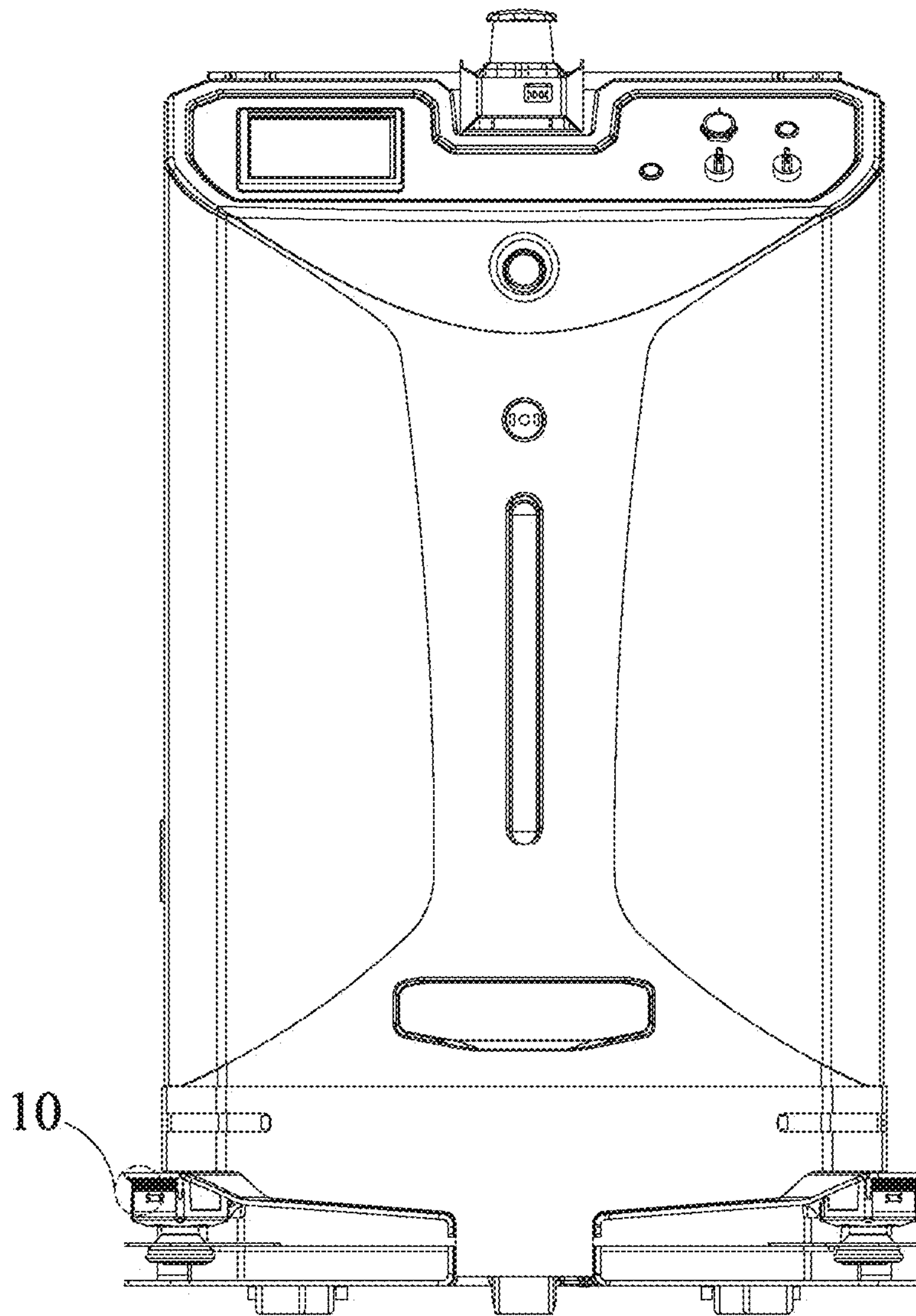


Fig. 2



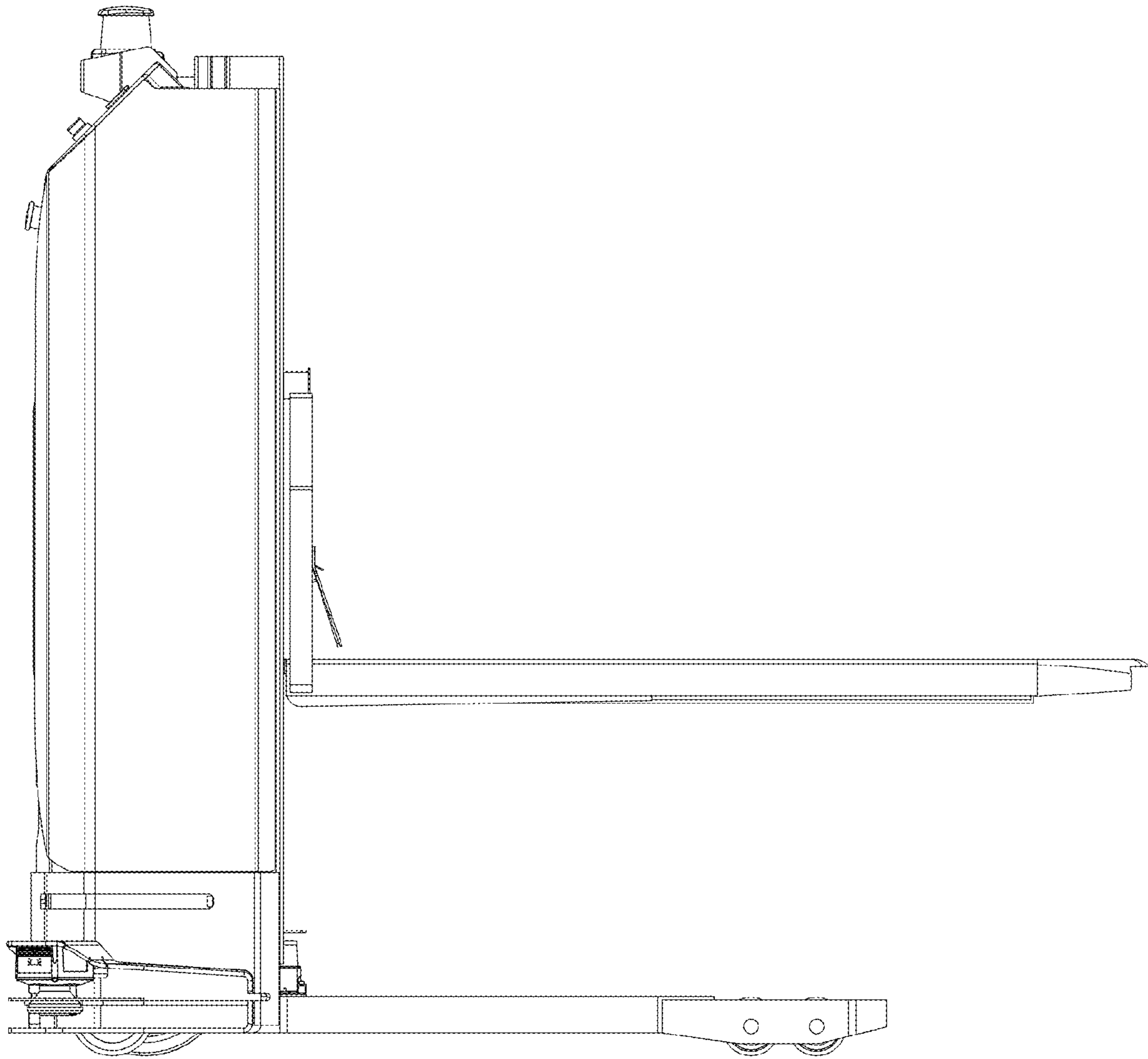


Fig. 3

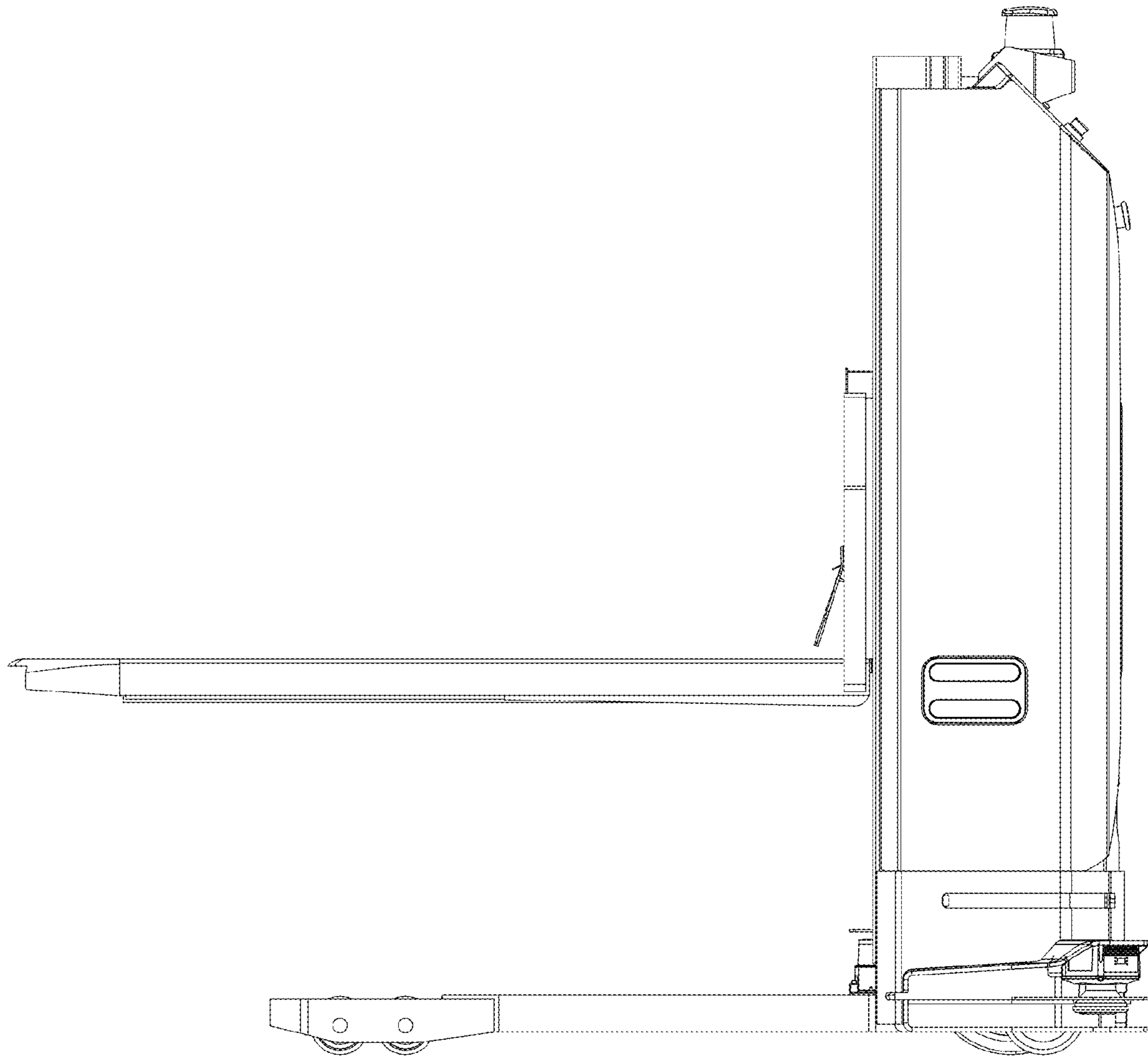


Fig. 4

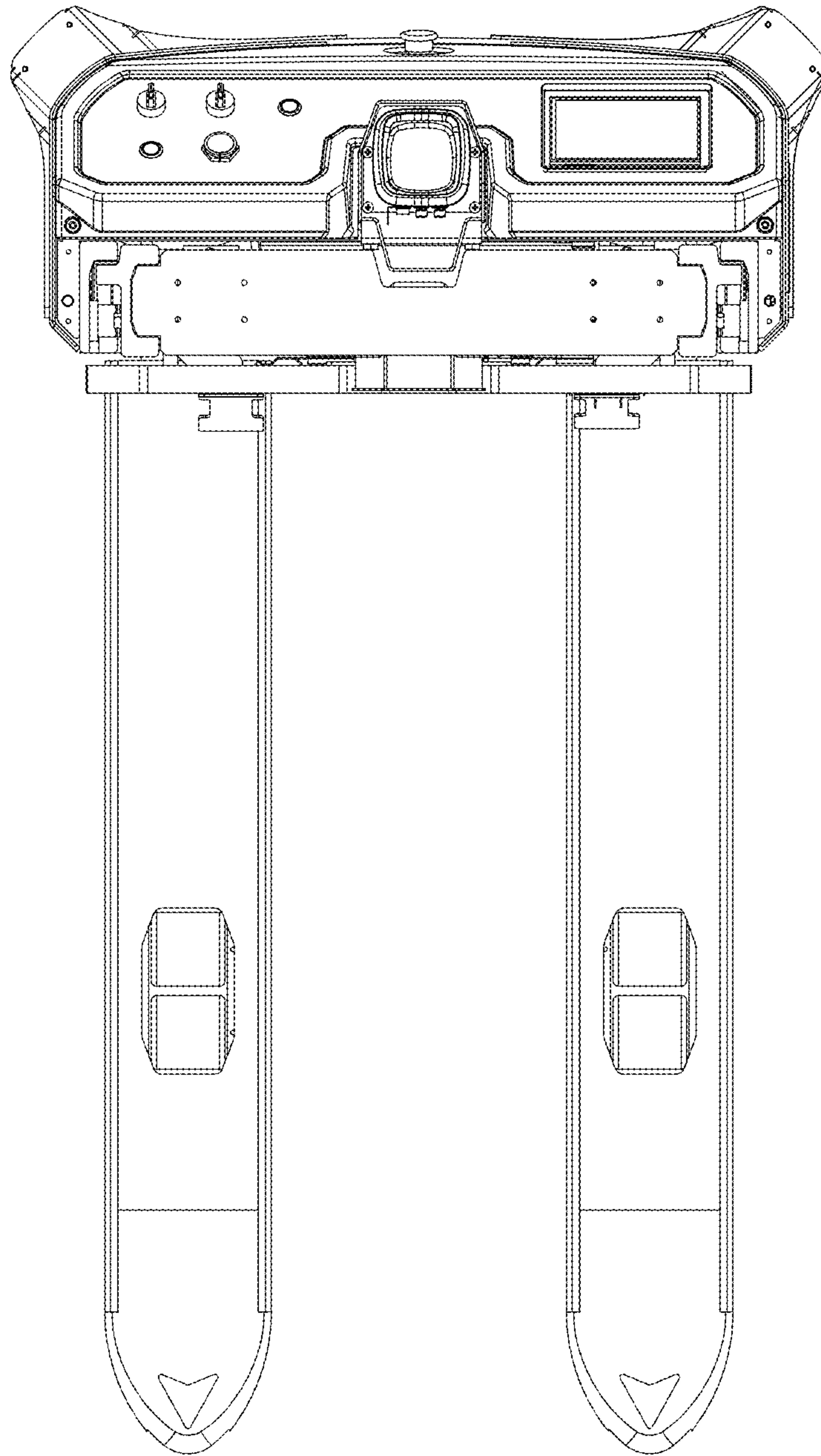


Fig. 5

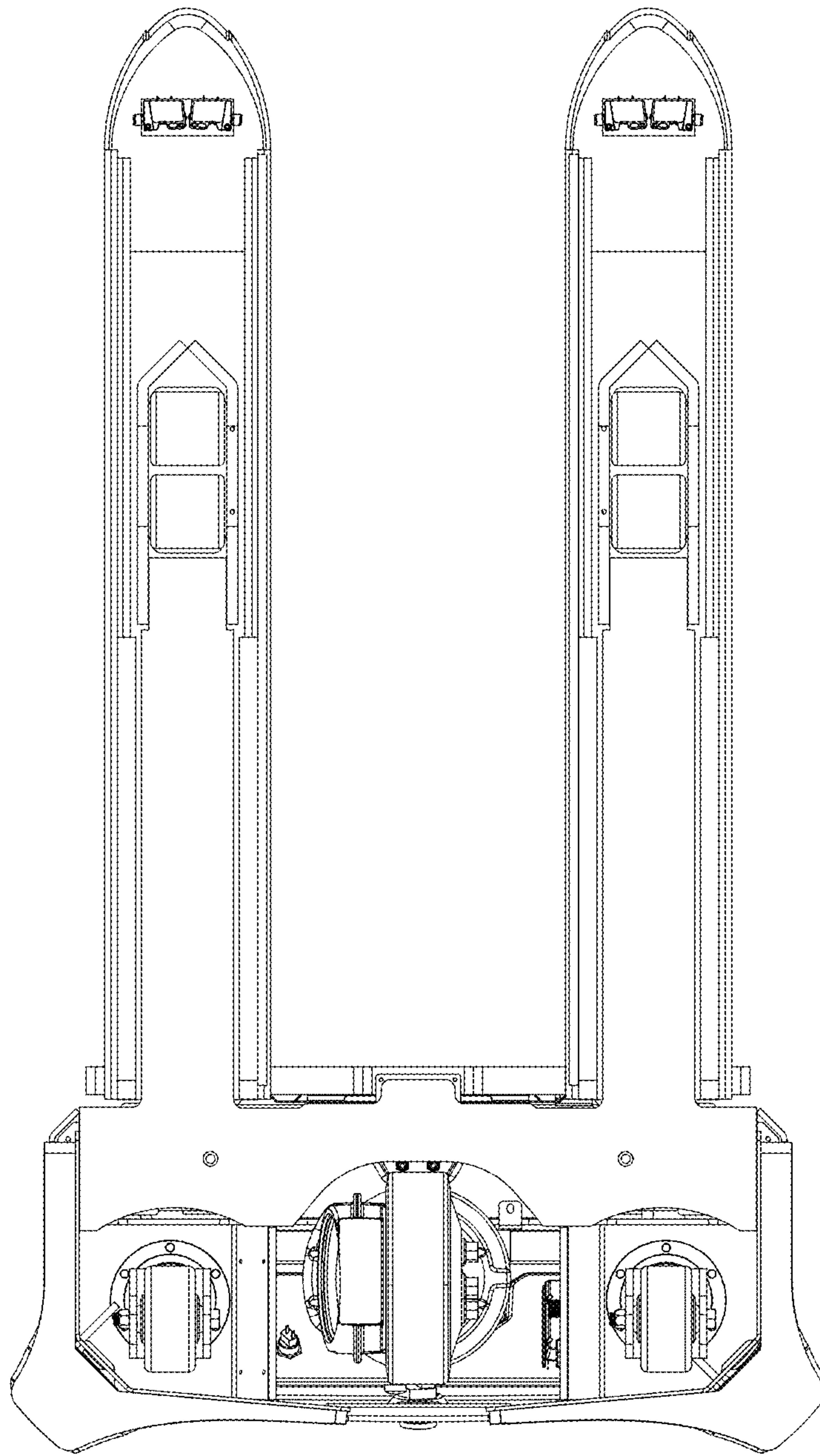


Fig. 6



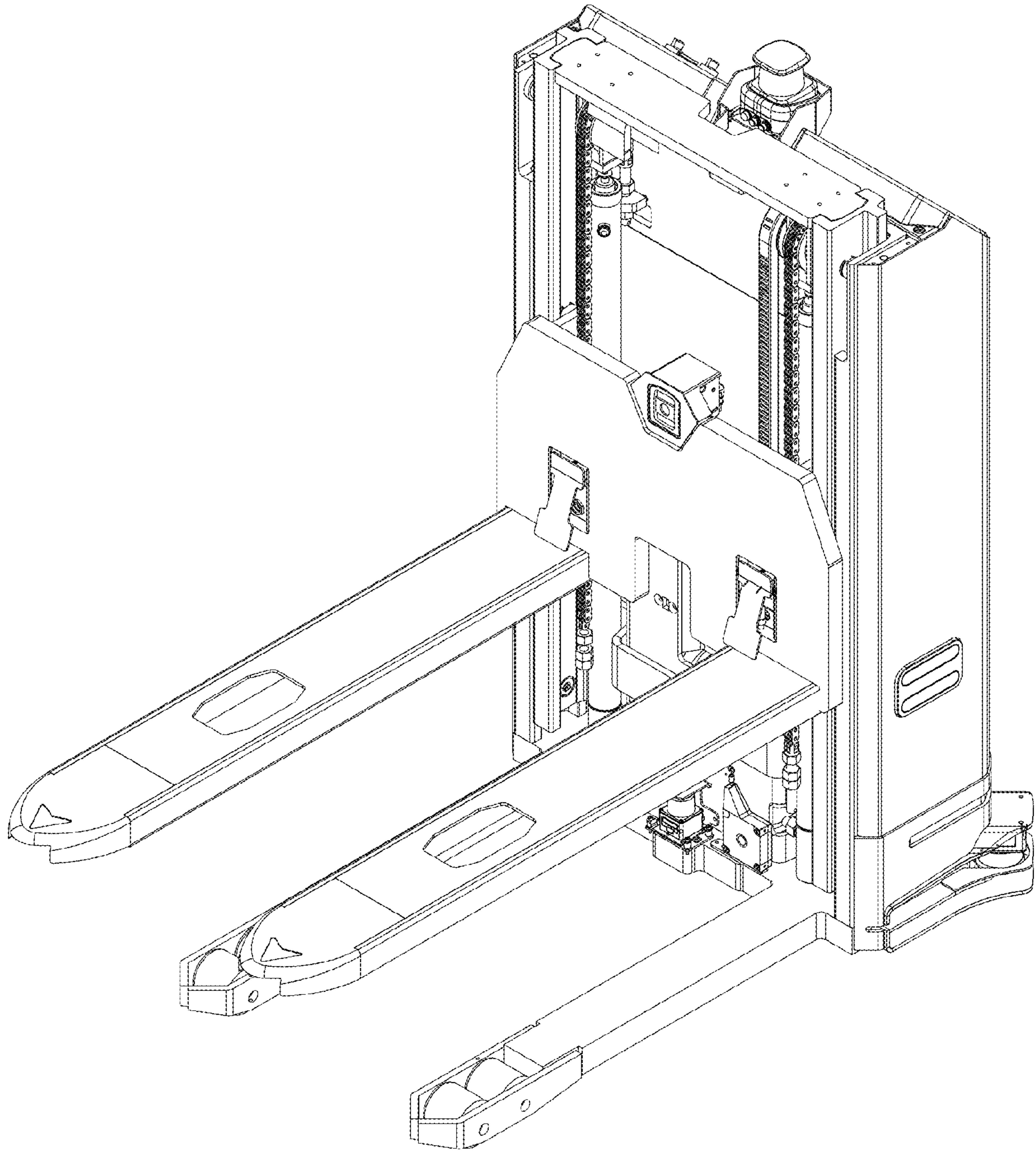


Fig. 7



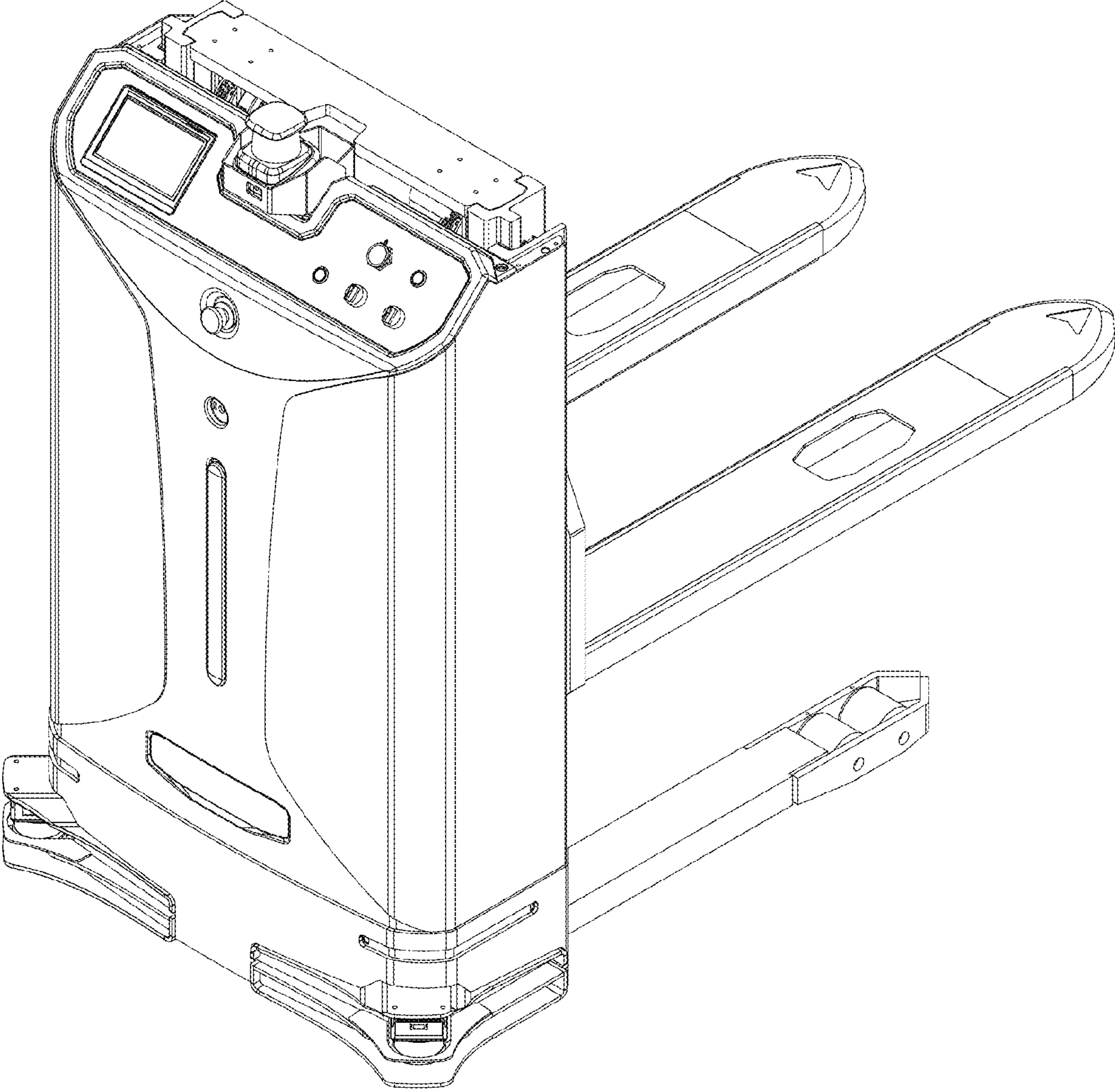


Fig. 8

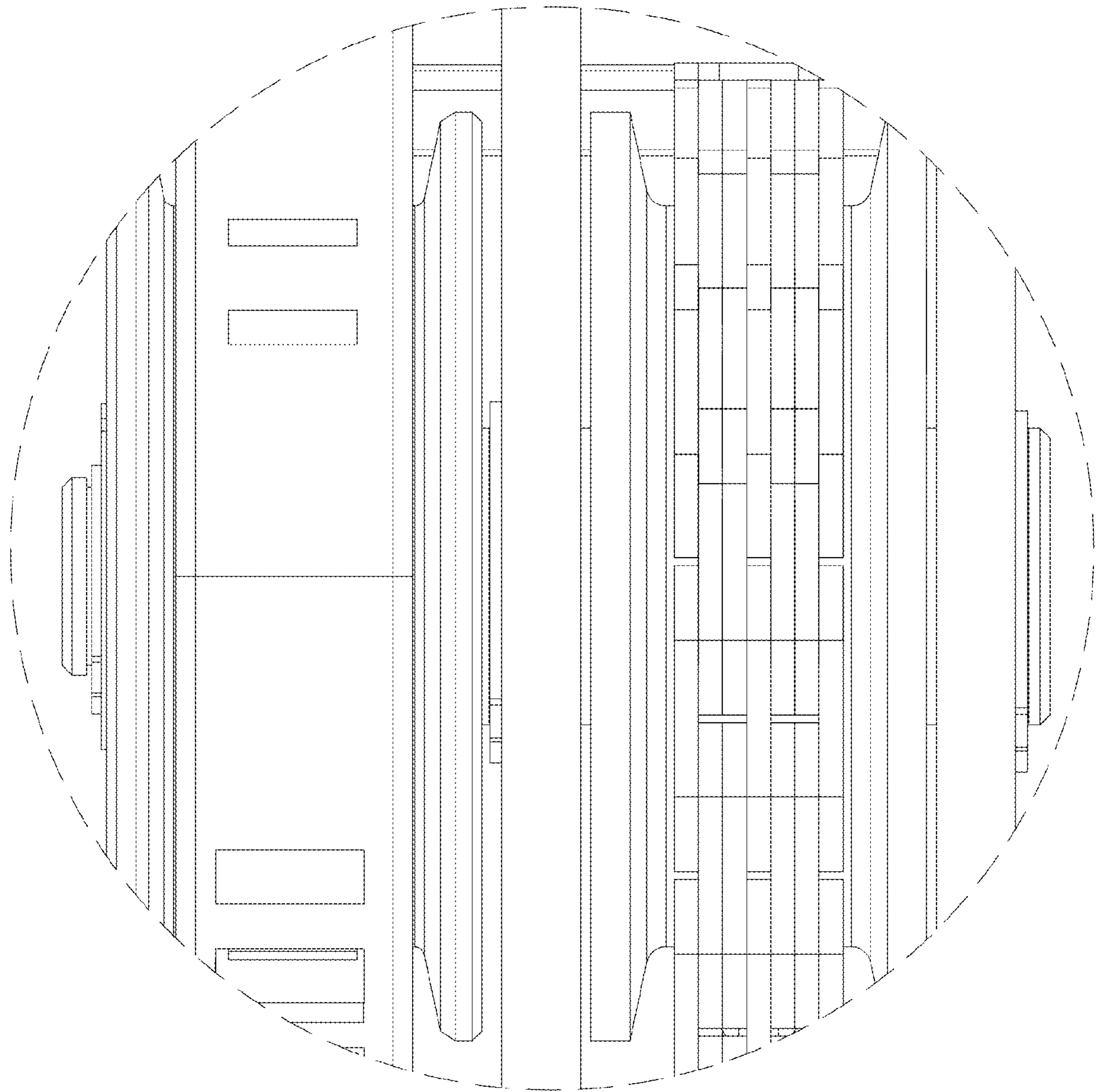


Fig. 9

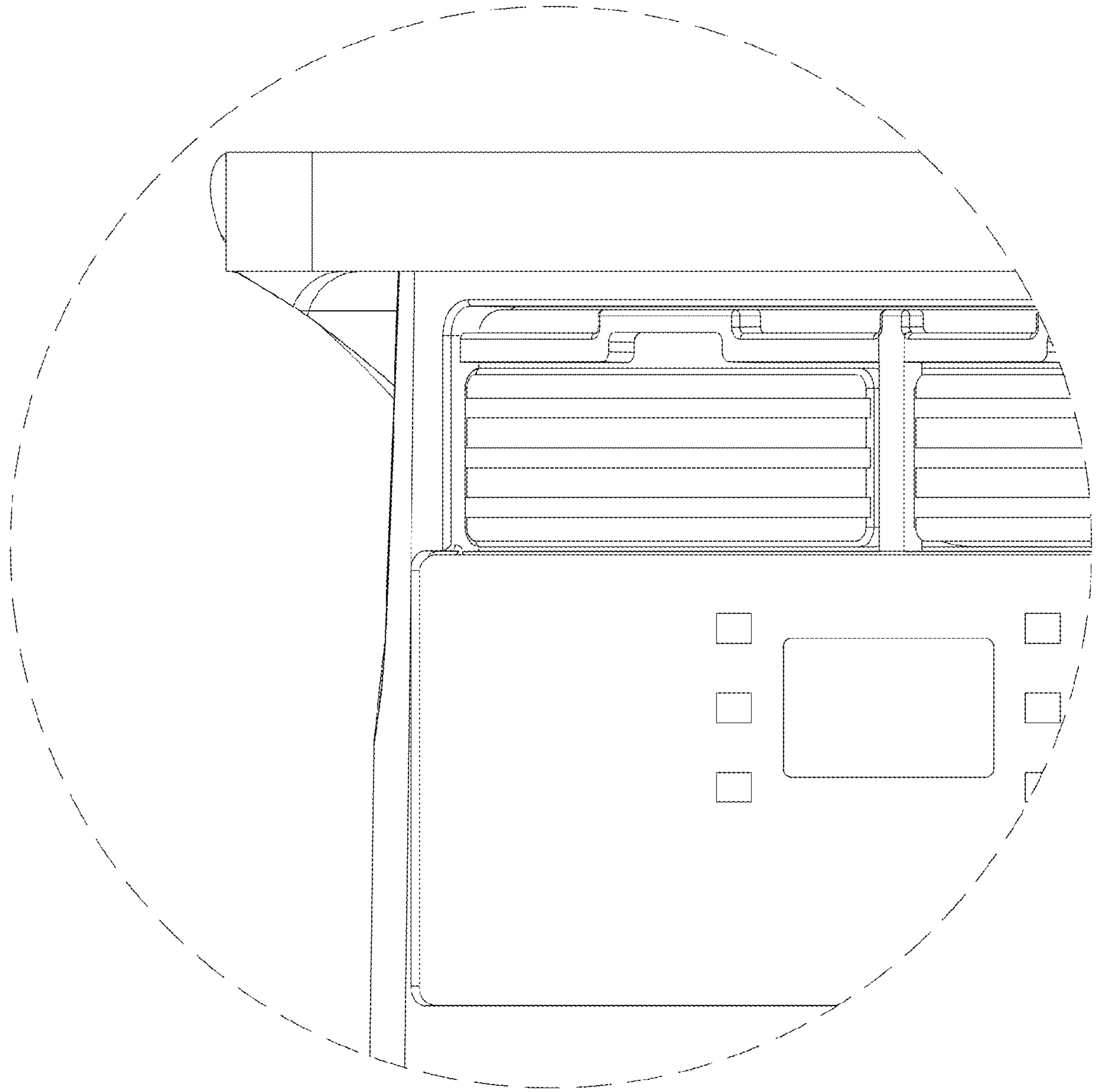


Fig. 10