



US00D933929S

(12) **United States Design Patent**
Liu et al.

(10) **Patent No.:** **US D933,929 S**
(45) **Date of Patent:** **** Oct. 19, 2021**

(54) **JACK**

(71) Applicant: **CHANGSHU TONGRUN AUTO ACCESSORY CO., LTD.**, Changshu (CN)

(72) Inventors: **Yuanbo Liu**, Changshu (CN); **Chao Huang**, Changshu (CN)

(73) Assignee: **CHANGSHU TONGRUN AUTO ACCESSORY CO., LTD.**, Changshu (CN)

(**) Term: **15 Years**

(21) Appl. No.: **29/713,242**

(22) Filed: **Nov. 14, 2019**

(30) **Foreign Application Priority Data**

Jun. 11, 2019 (CN) 201930297518.X

(51) **LOC (13) Cl.** **12-05**

(52) **U.S. Cl.**
USPC **D34/31**

(58) **Field of Classification Search**
USPC D34/28–39

(Continued)

(56) **References Cited**

U.S. PATENT DOCUMENTS

6,086,047 A * 7/2000 Lee B66F 5/04
254/2 B

D682,501 S * 5/2013 Shen D34/31

2016/0122165 A1 * 5/2016 Martinez Martinez ... B66F 5/04
254/93 H

* cited by examiner

Primary Examiner — George A Bugg

Assistant Examiner — Tamara L Hahn

(74) *Attorney, Agent, or Firm* — Treasure IP Group, LLC

(57) **CLAIM**

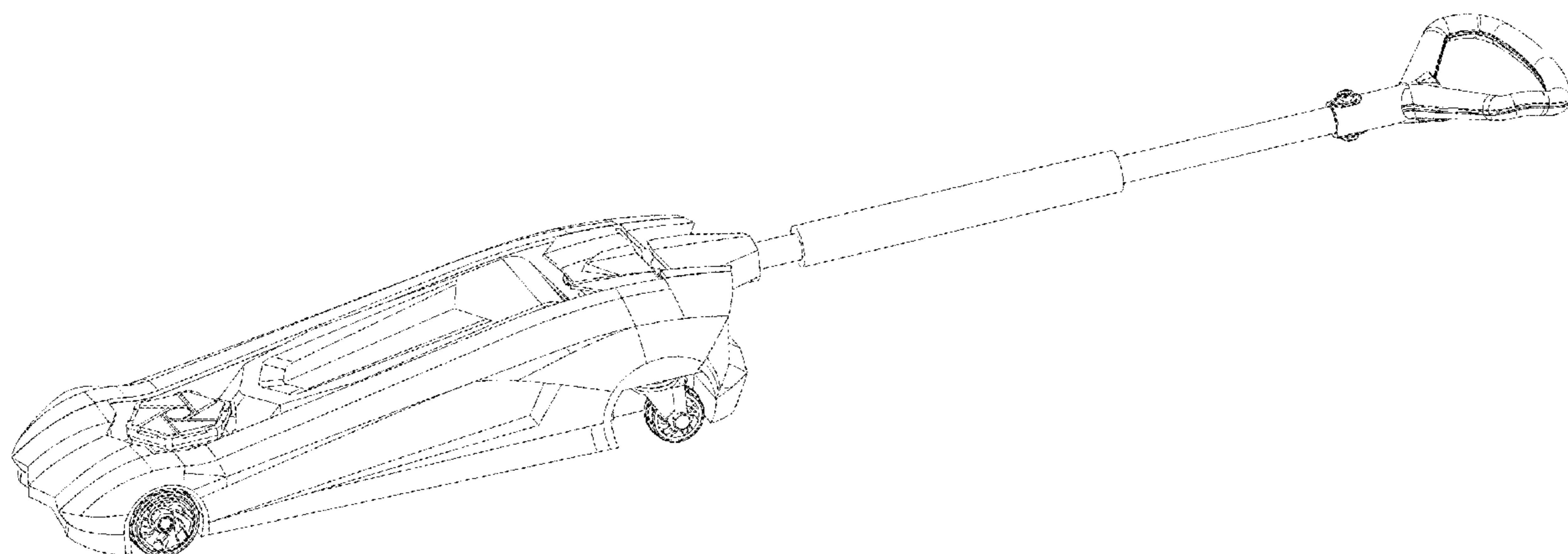
The ornamental design for a jack, as shown and described.

DESCRIPTION

FIG. 1 is a right view of a jack.
FIG. 2 is a bottom view of thereof.
FIG. 3 is a top view thereof;
FIG. 4 is a back view thereof;
FIG. 5 is a left view thereof;
FIG. 6 is a front view thereof; and
FIG. 7 is a perspective view thereof;
FIG. 8 is an enlarged view of the front left tire, taken along line 8 in FIG. 1;
FIG. 9 is an enlarged view of the back left tire, taken along line 9 in FIG. 1;
FIG. 10 is an enlarged view of an element on the rear end, taken along line 10 in FIG. 1;
FIG. 11 is an enlarged view of the middle portion, taken along line 11 in FIG. 2;
FIG. 12 is an enlarged view of the front left tire, taken along line 12 in FIG. 2;
FIG. 13 is an enlarged view of the back left tire, taken along line 13 in FIG. 2;
FIG. 14 is an enlarged view of the front right tire, taken along line 14 in FIG. 2;
FIG. 15 is an enlarged view of the back right tire, taken along line 15 in FIG. 2;
FIG. 16 is an enlarged view of an element of a handle, taken along line 16 in FIG. 2;
FIG. 17 is an enlarged view of the element of the handle, taken along line 17 in FIG. 3;
FIG. 18 is an enlarged view of the jack, taken along line 18 in FIG. 4;
FIG. 19 is an enlarged view of the element on the rear end, taken along line 19 in FIG. 5;
FIG. 20 is an enlarged view of the back right tire, taken along line 20 in FIG. 5;
FIG. 21 is an enlarged view of the front right tire, taken along line 21 in FIG. 5; and,
FIG. 22 is an enlarged view of the jack, taken along line 22 in FIG. 6.

The broken lines in the drawings depict portions of the jack that form no part of the claimed design. The square-shaped

(Continued)



broken lines and connected broken lines are included to indicate enlarged portions and form no part of the claimed design.

1 Claim, 22 Drawing Sheets

(58) **Field of Classification Search**

CPC B66F 3/24; B66F 3/42; B66F 3/00; B66F
5/00

See application file for complete search history.

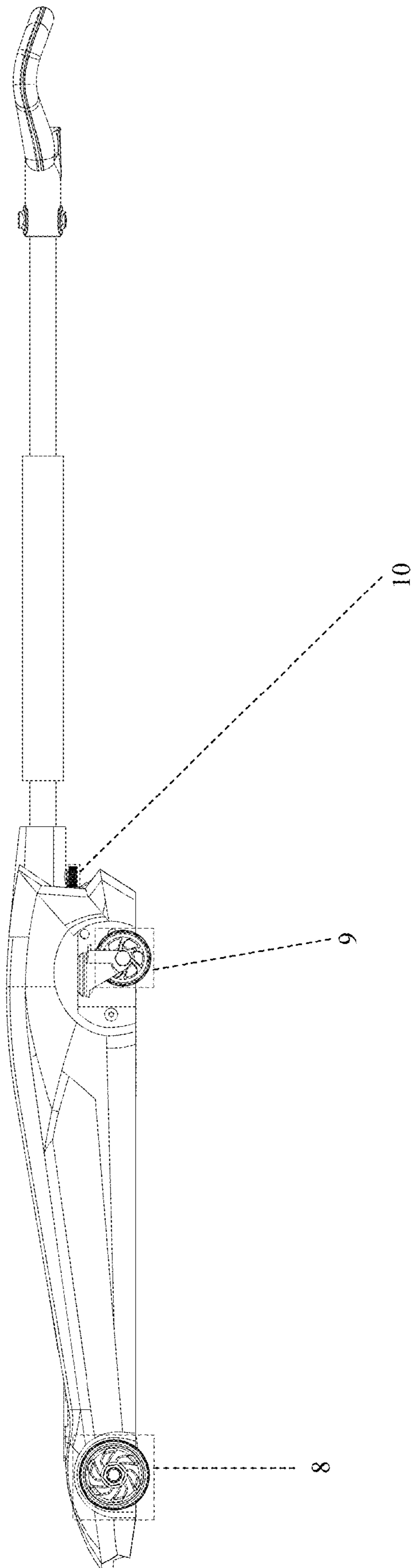


FIG.1

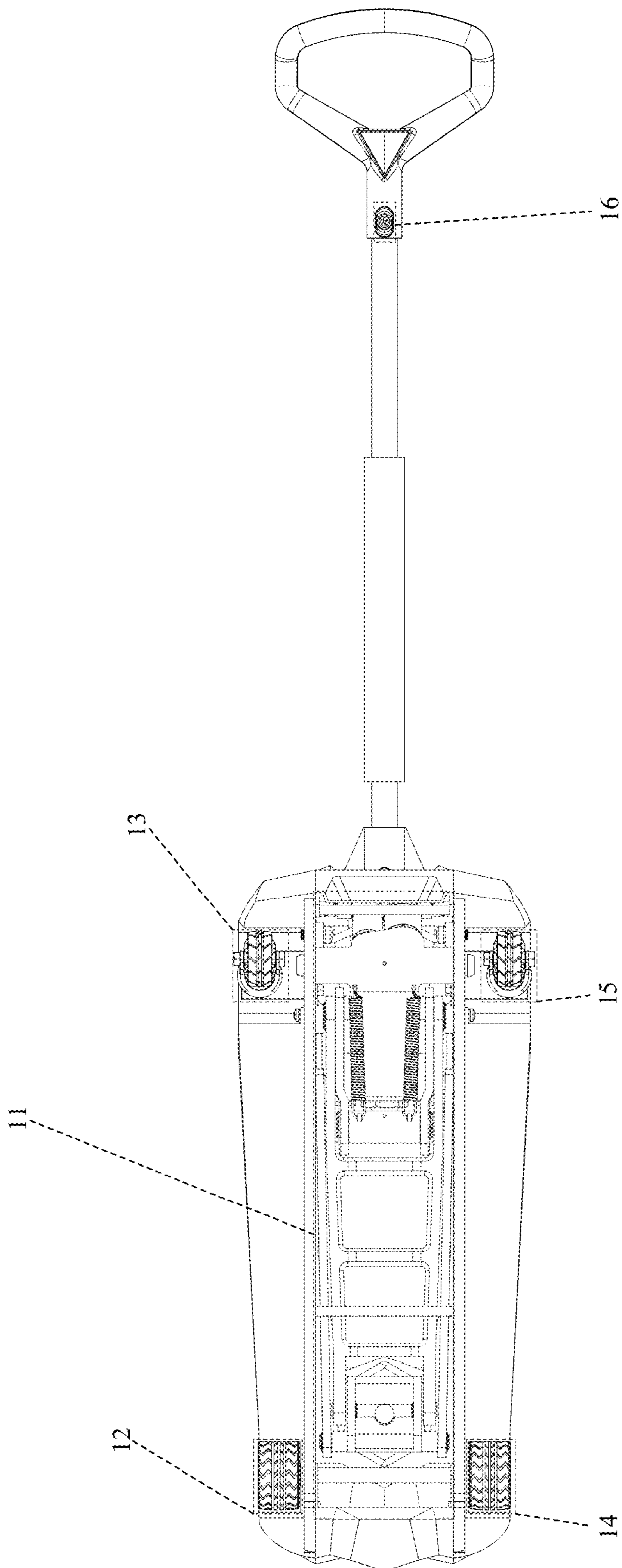


FIG.2

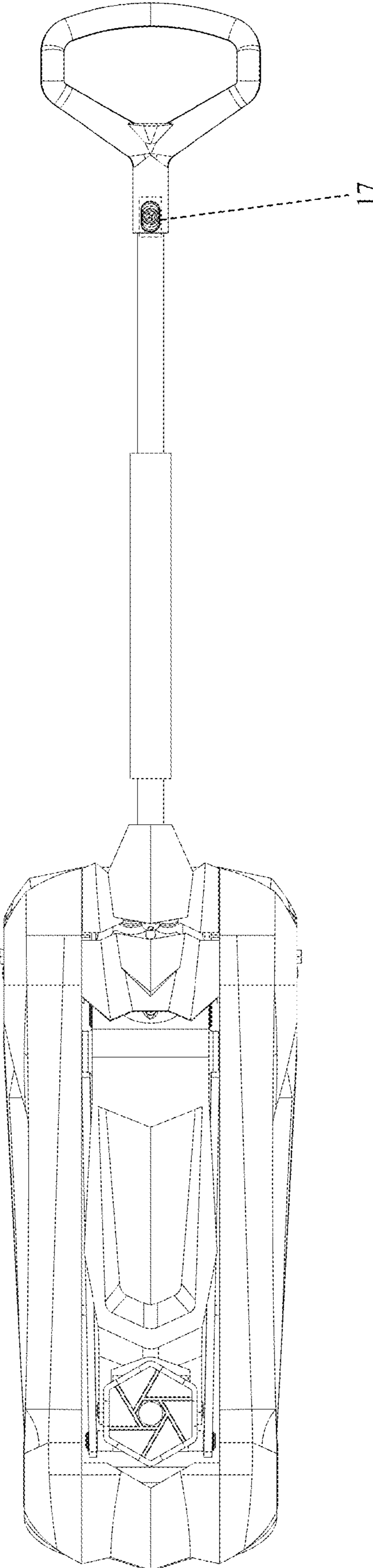


FIG.3

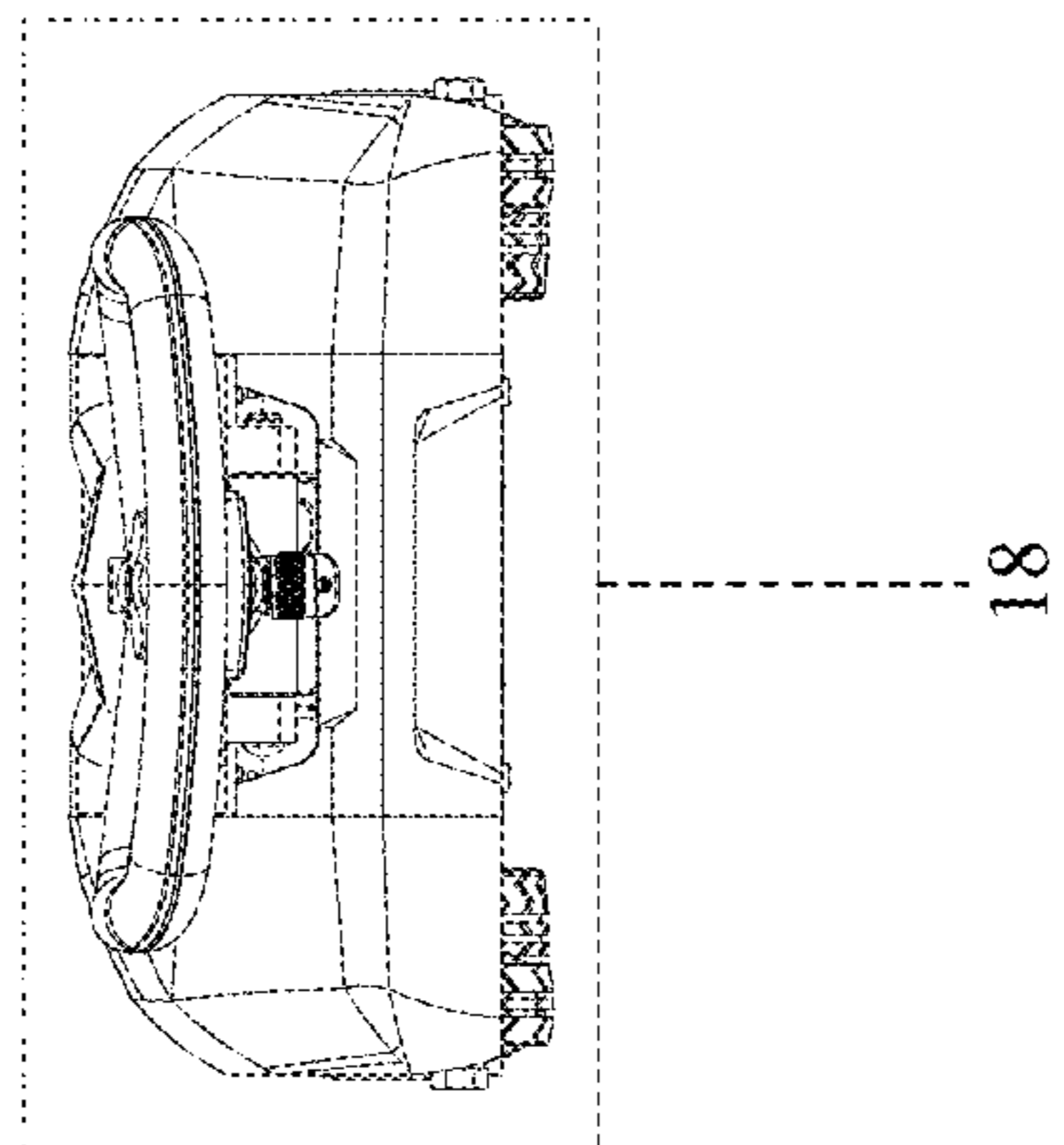


FIG. 4

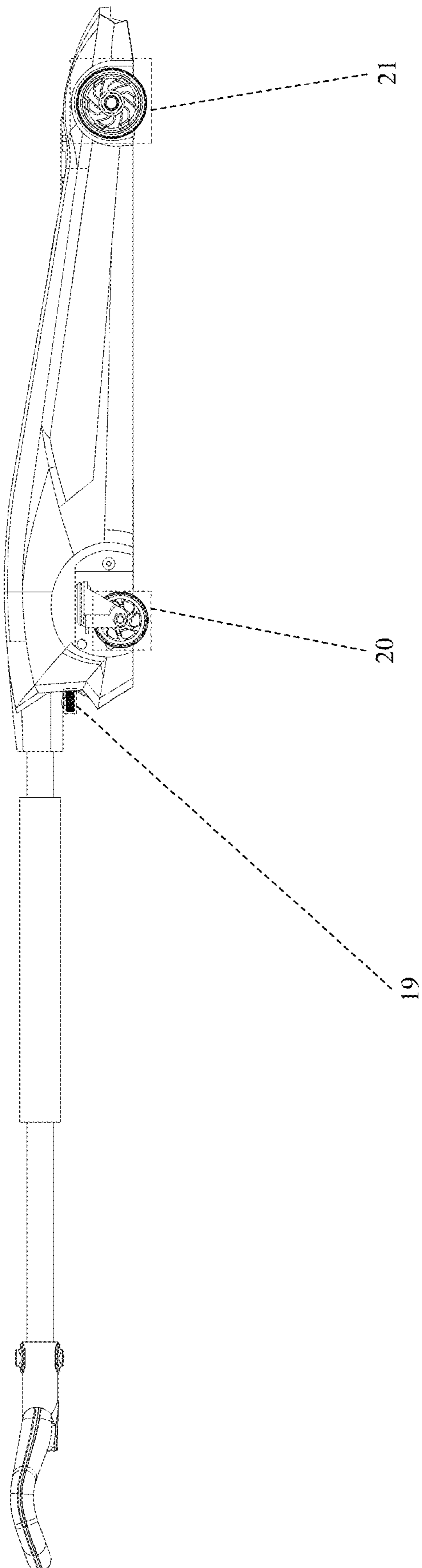


FIG.5

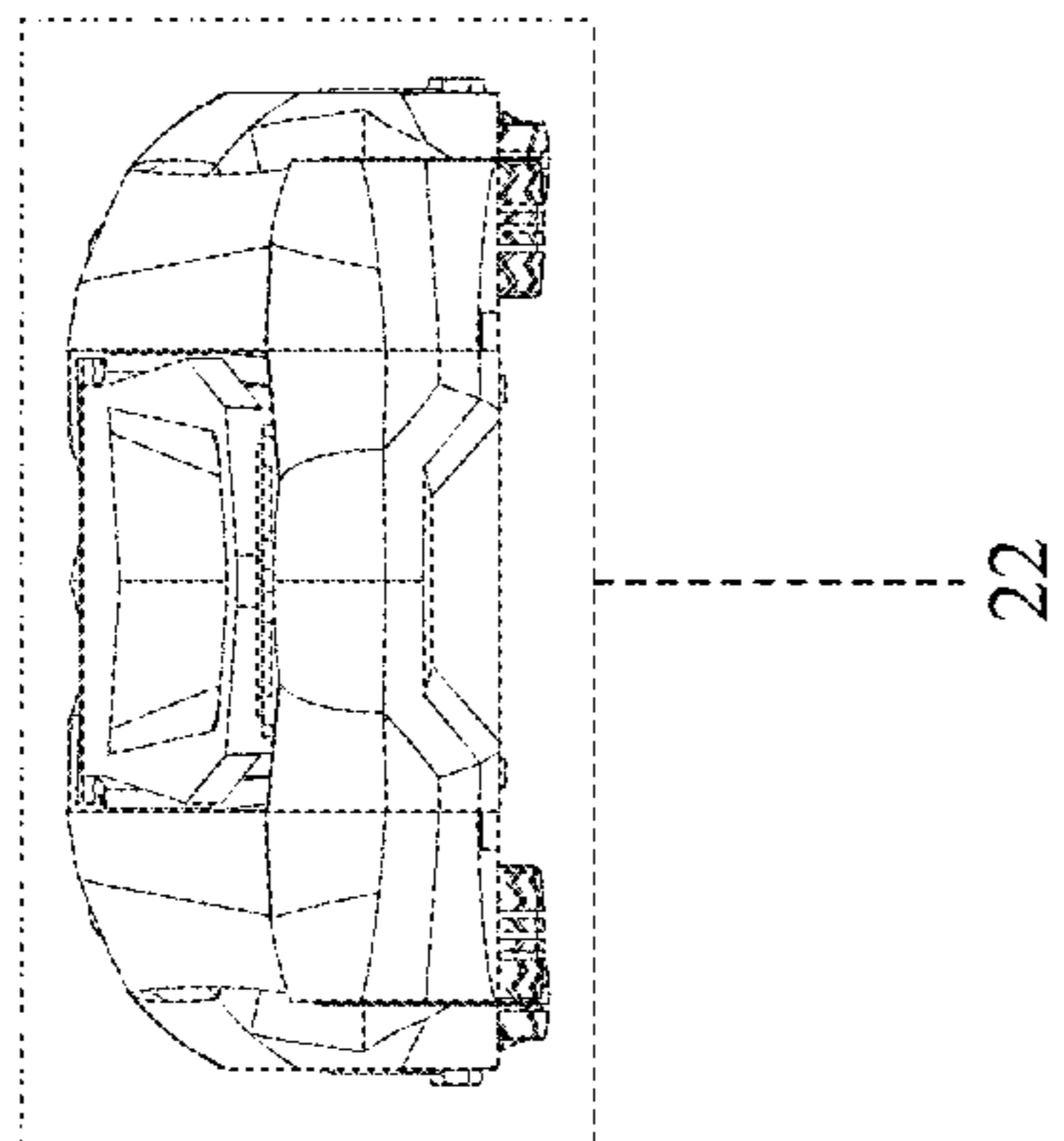


FIG.6

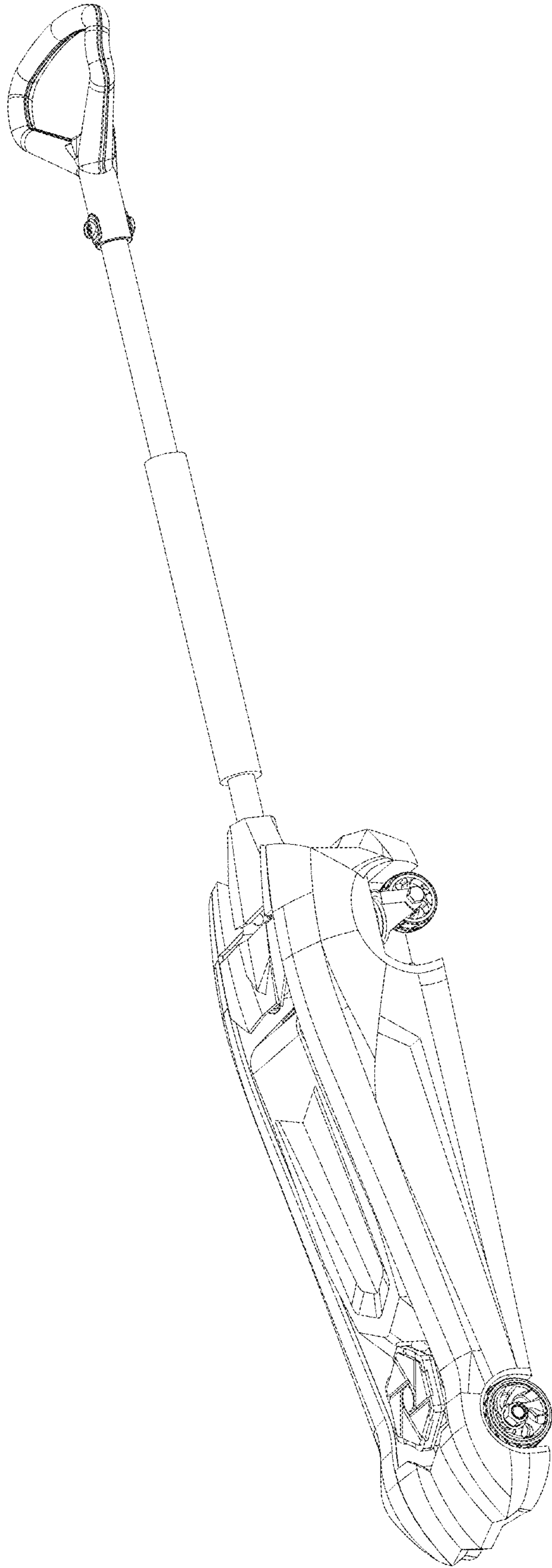


FIG.7

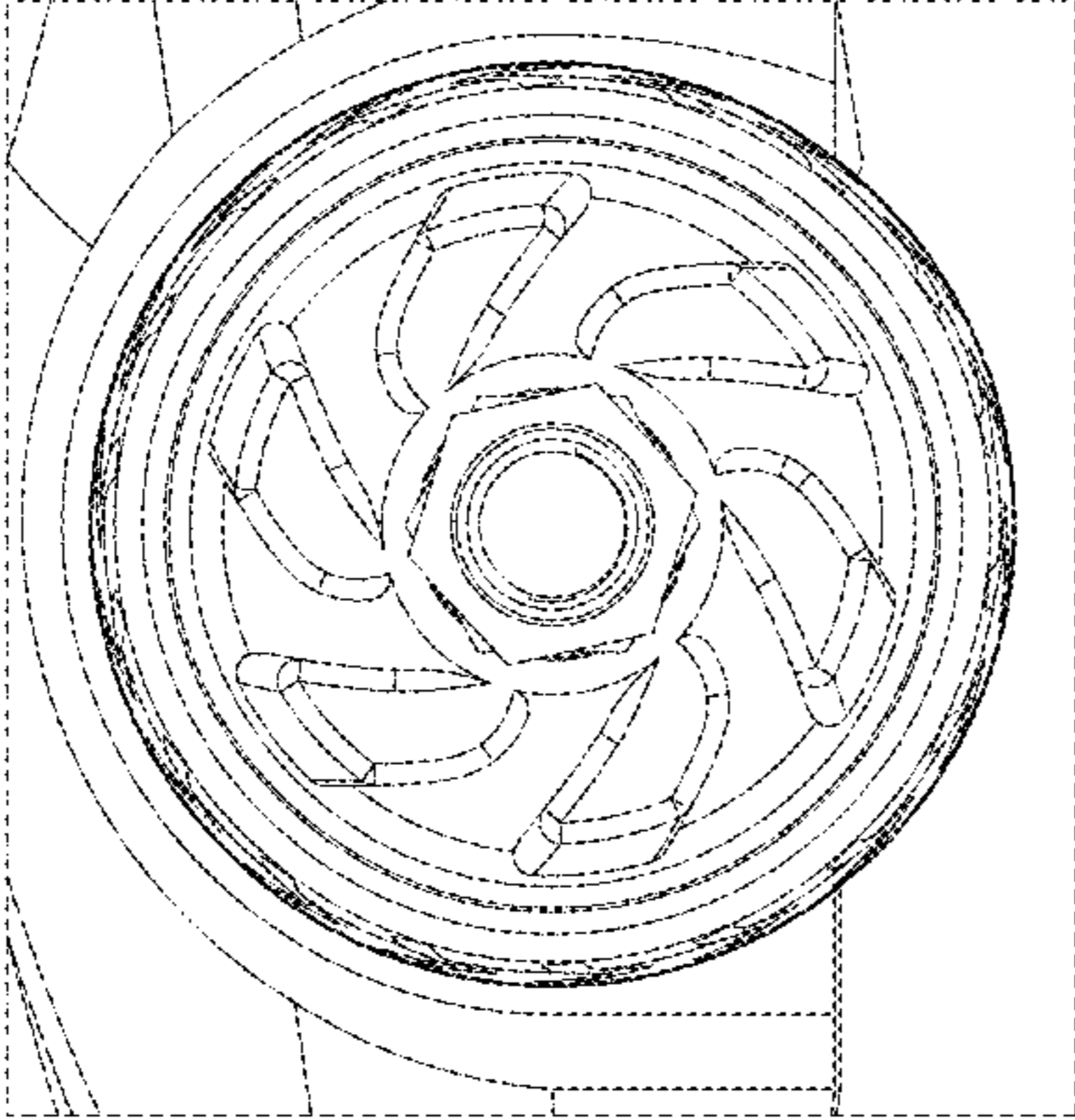


FIG.8

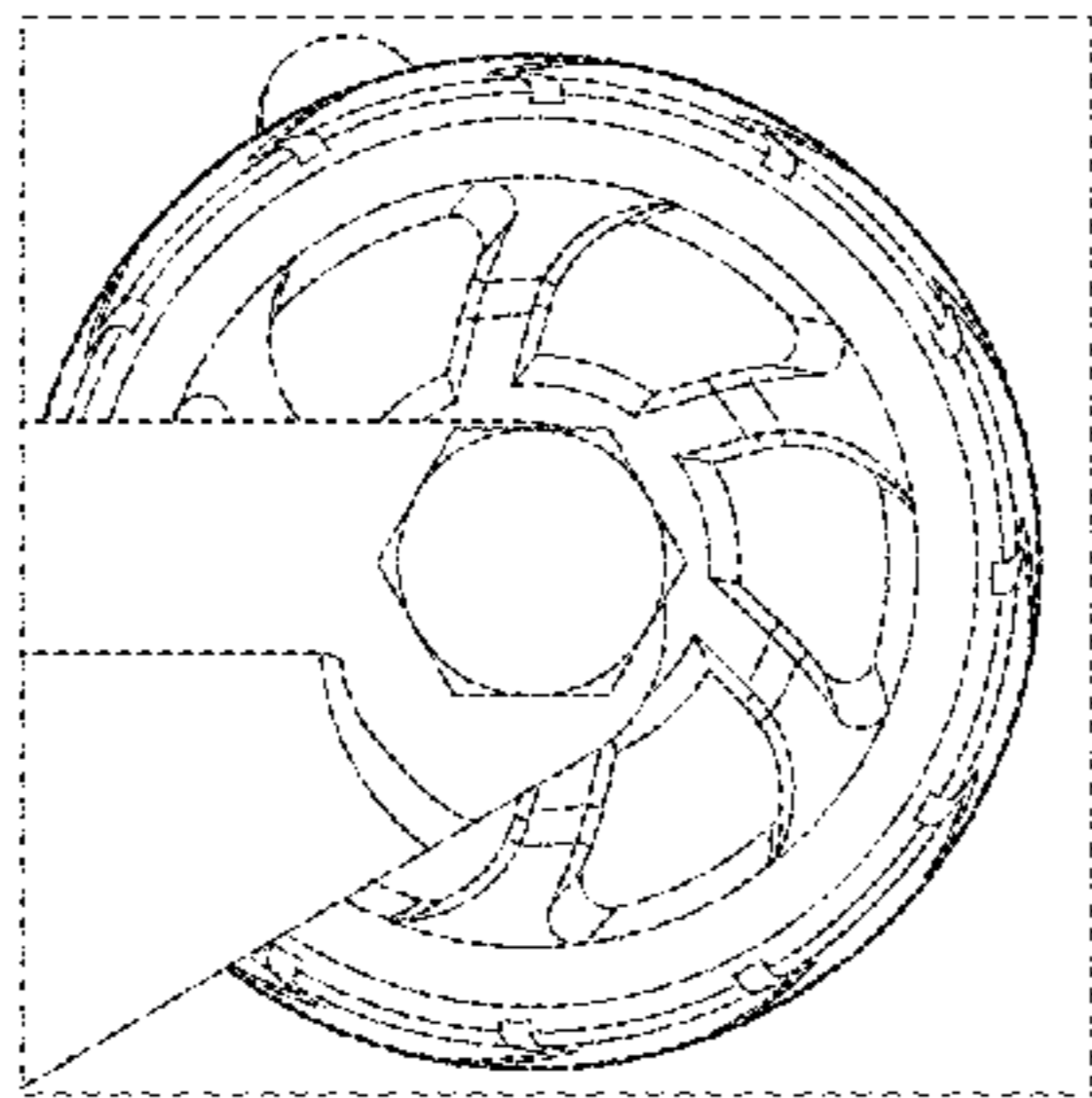


FIG.9

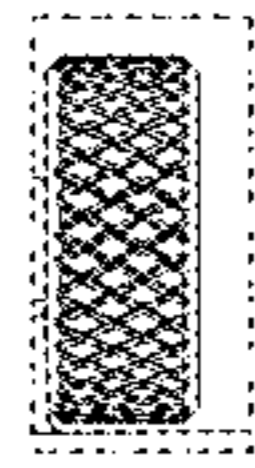


FIG.10

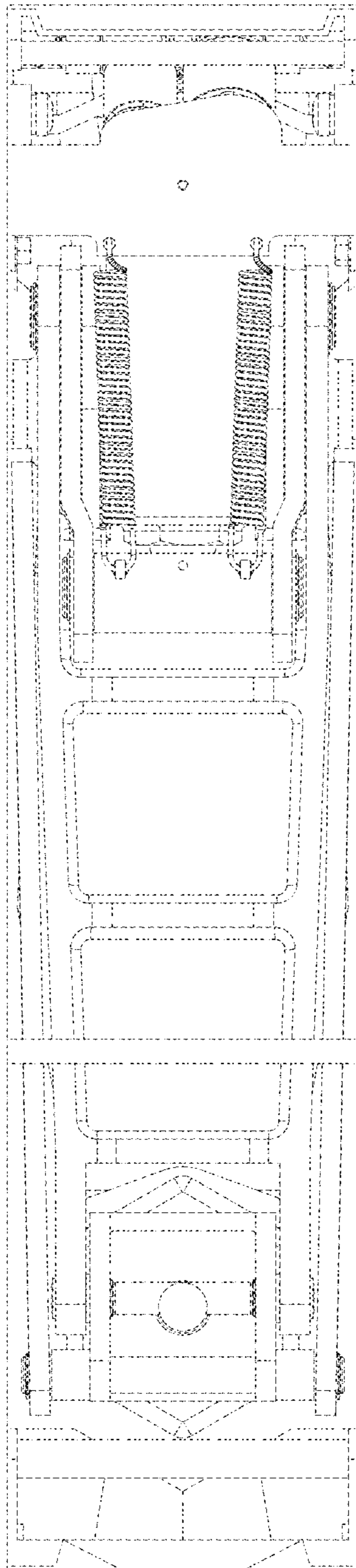


FIG.11

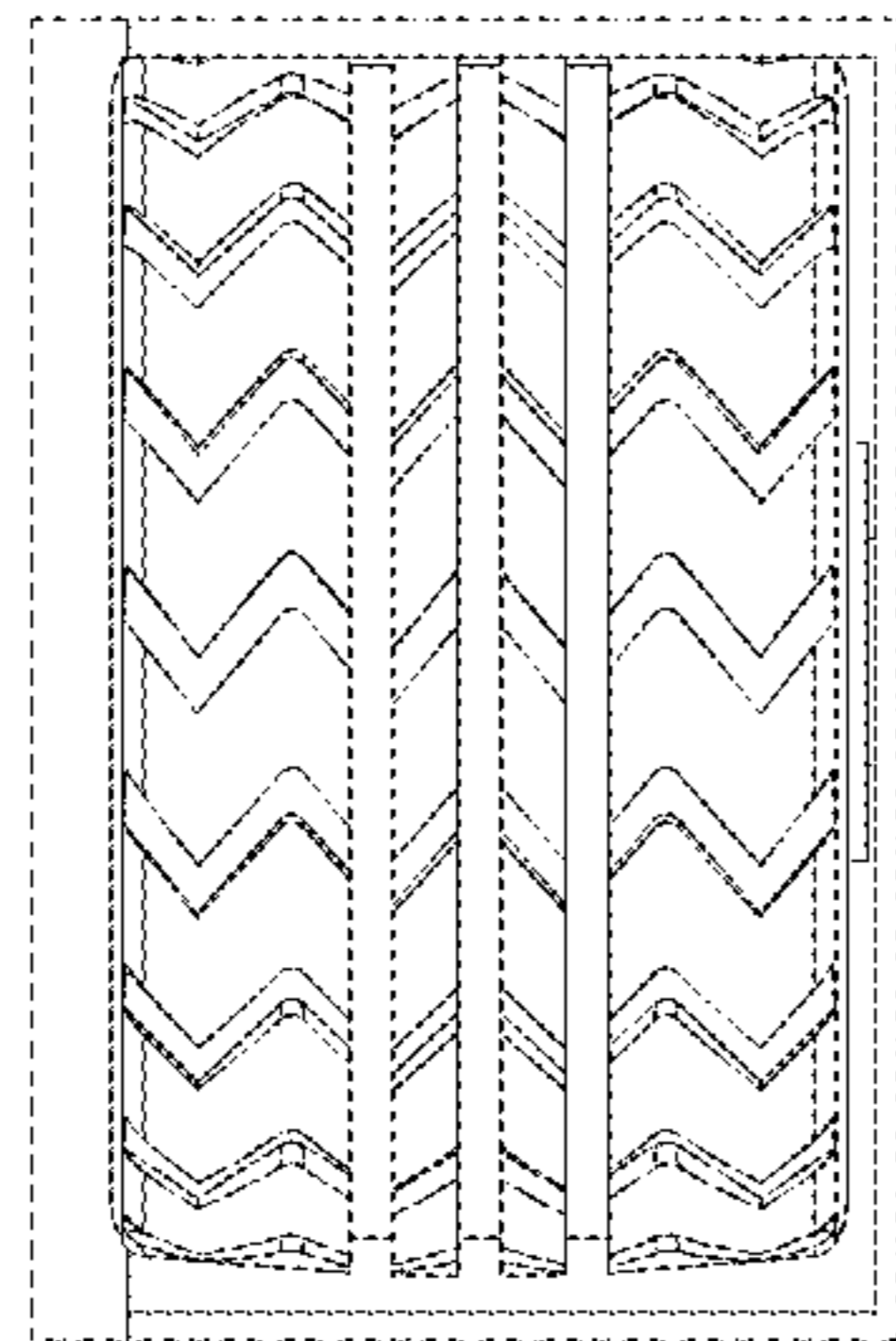


FIG.12

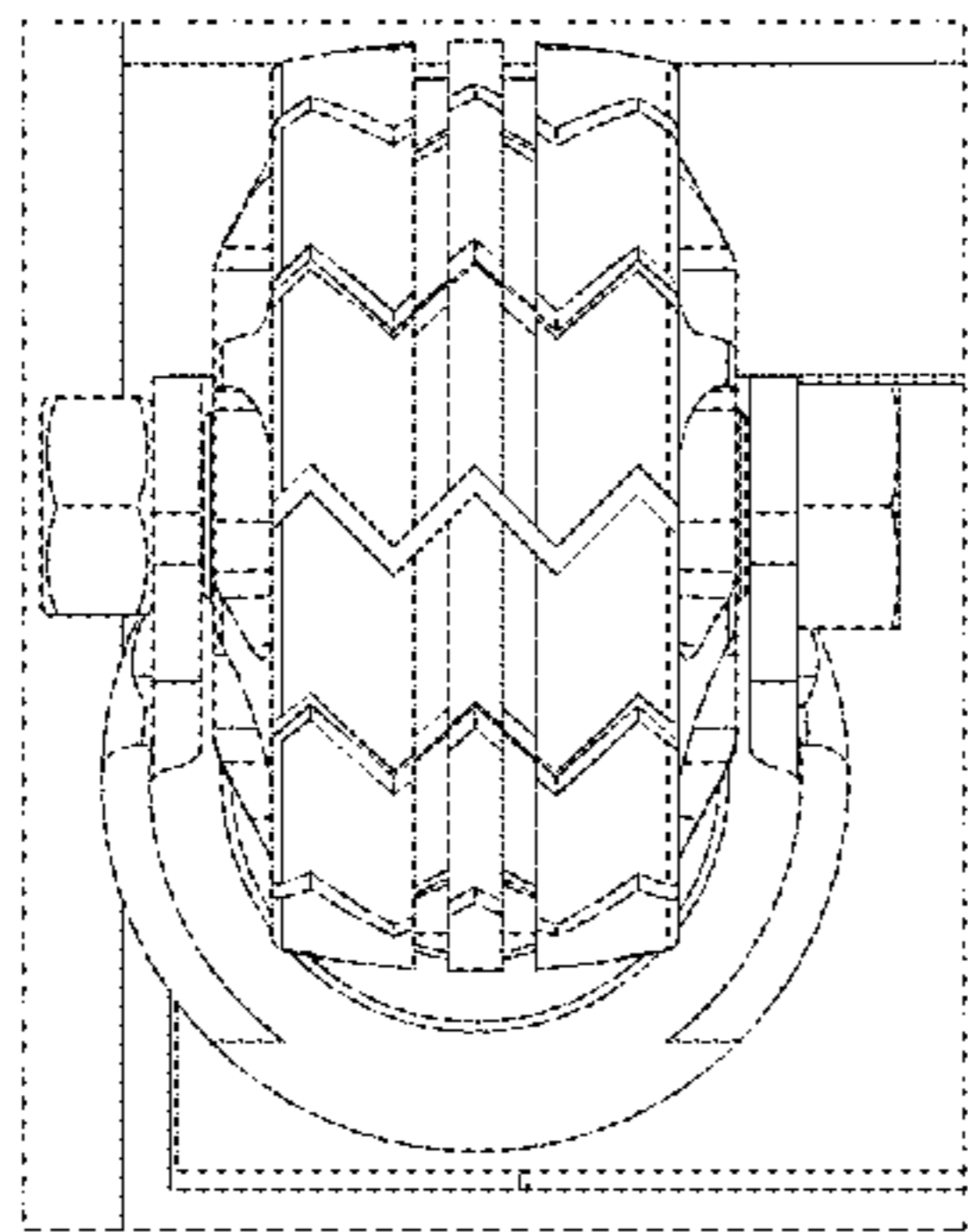


FIG.13

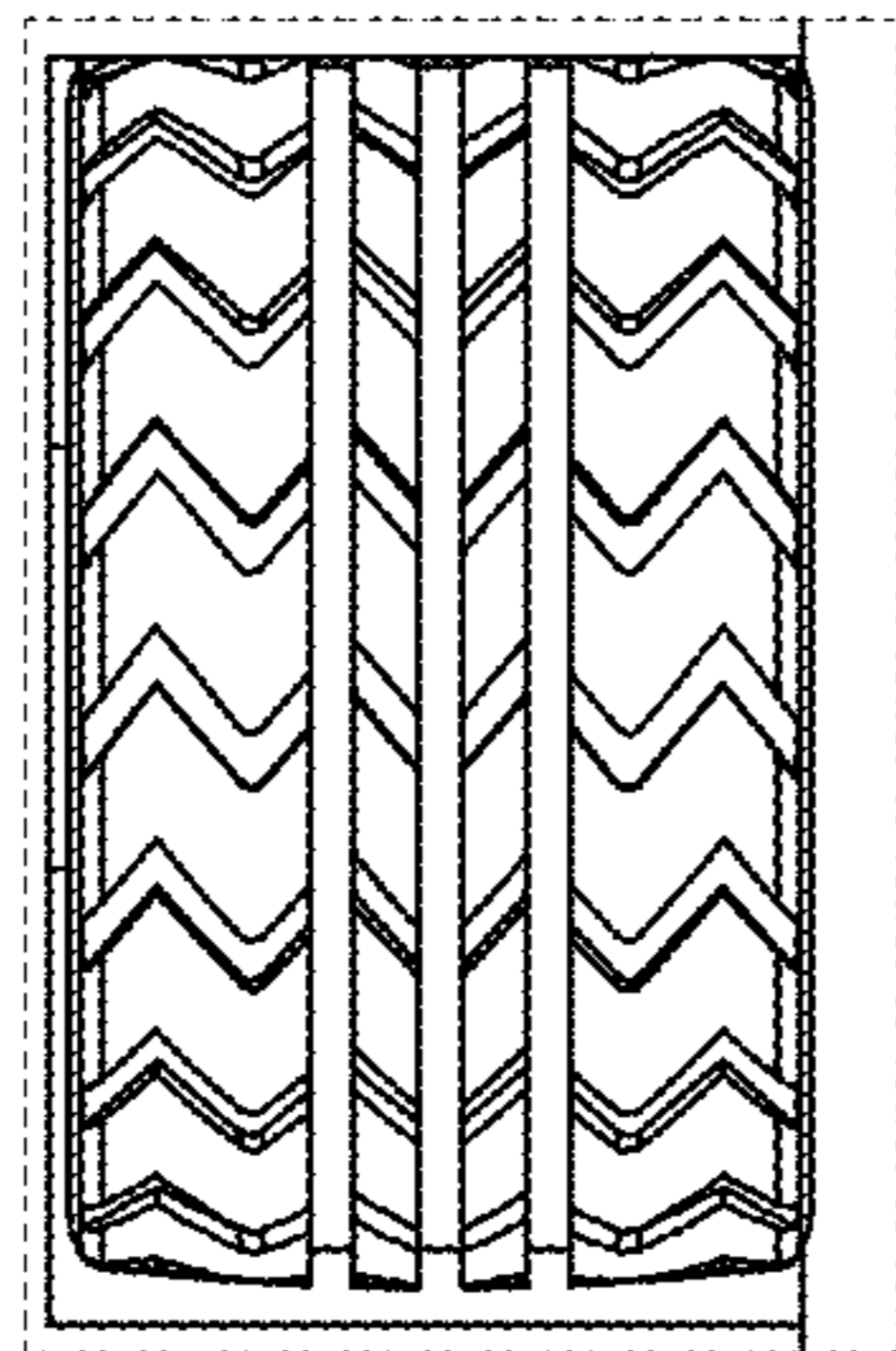


FIG.14

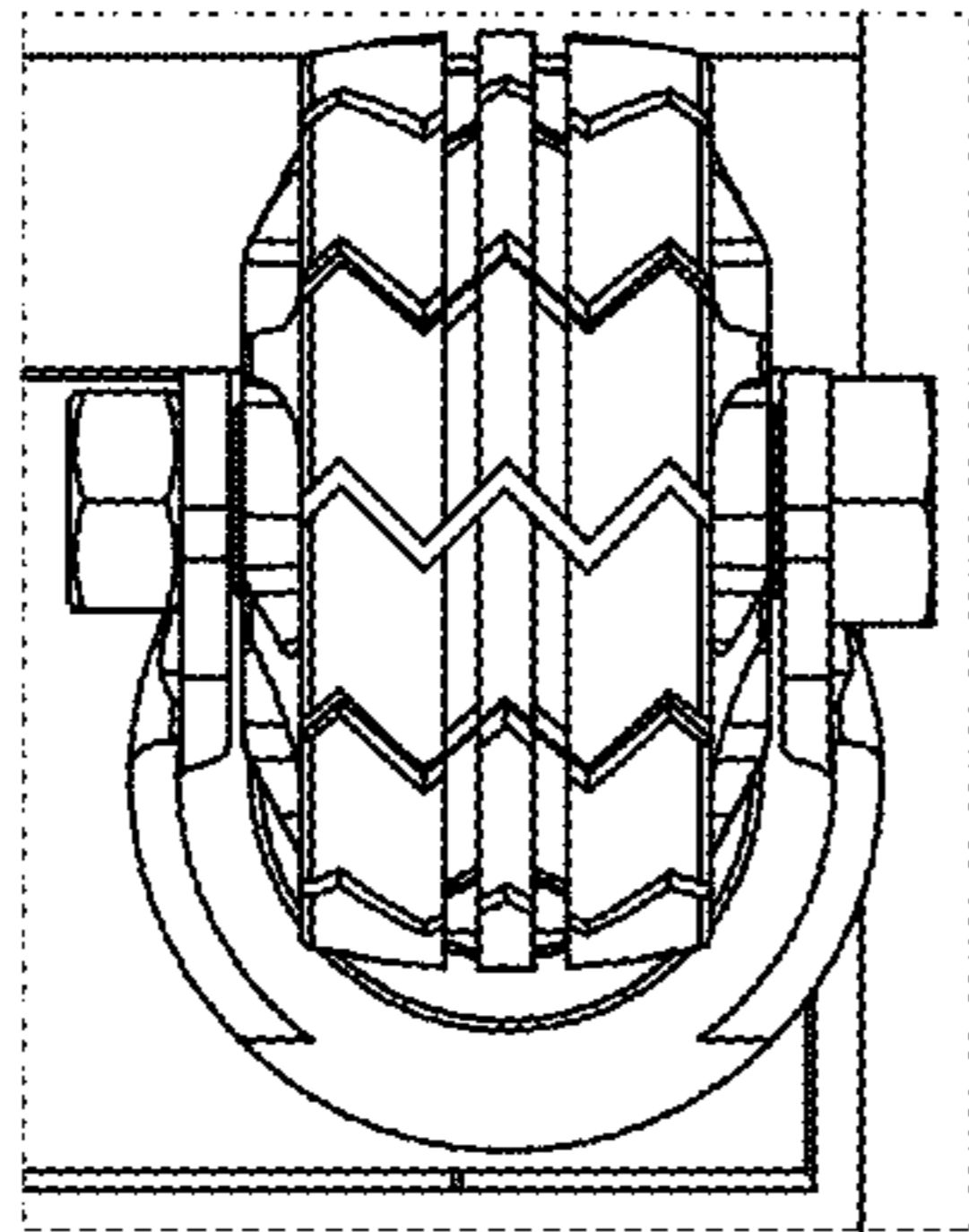


FIG.15

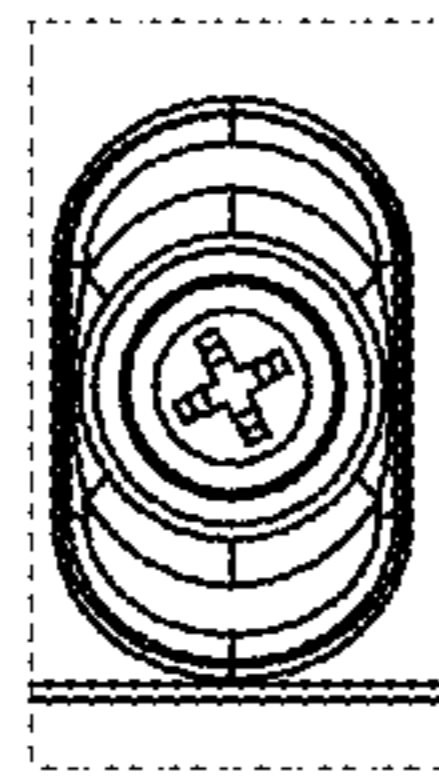


FIG.16

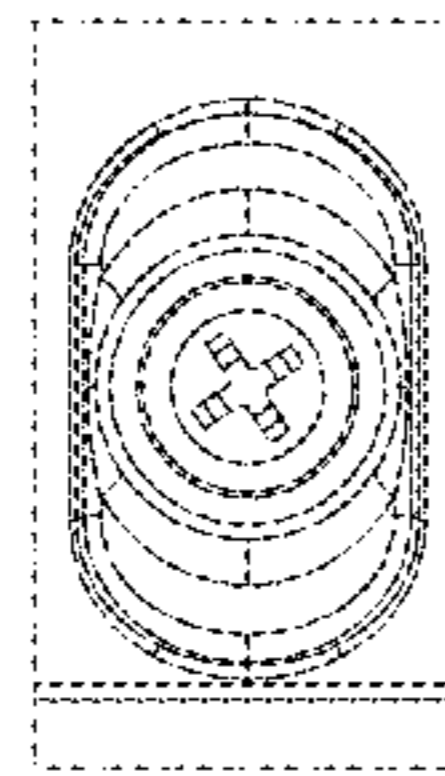


FIG.17

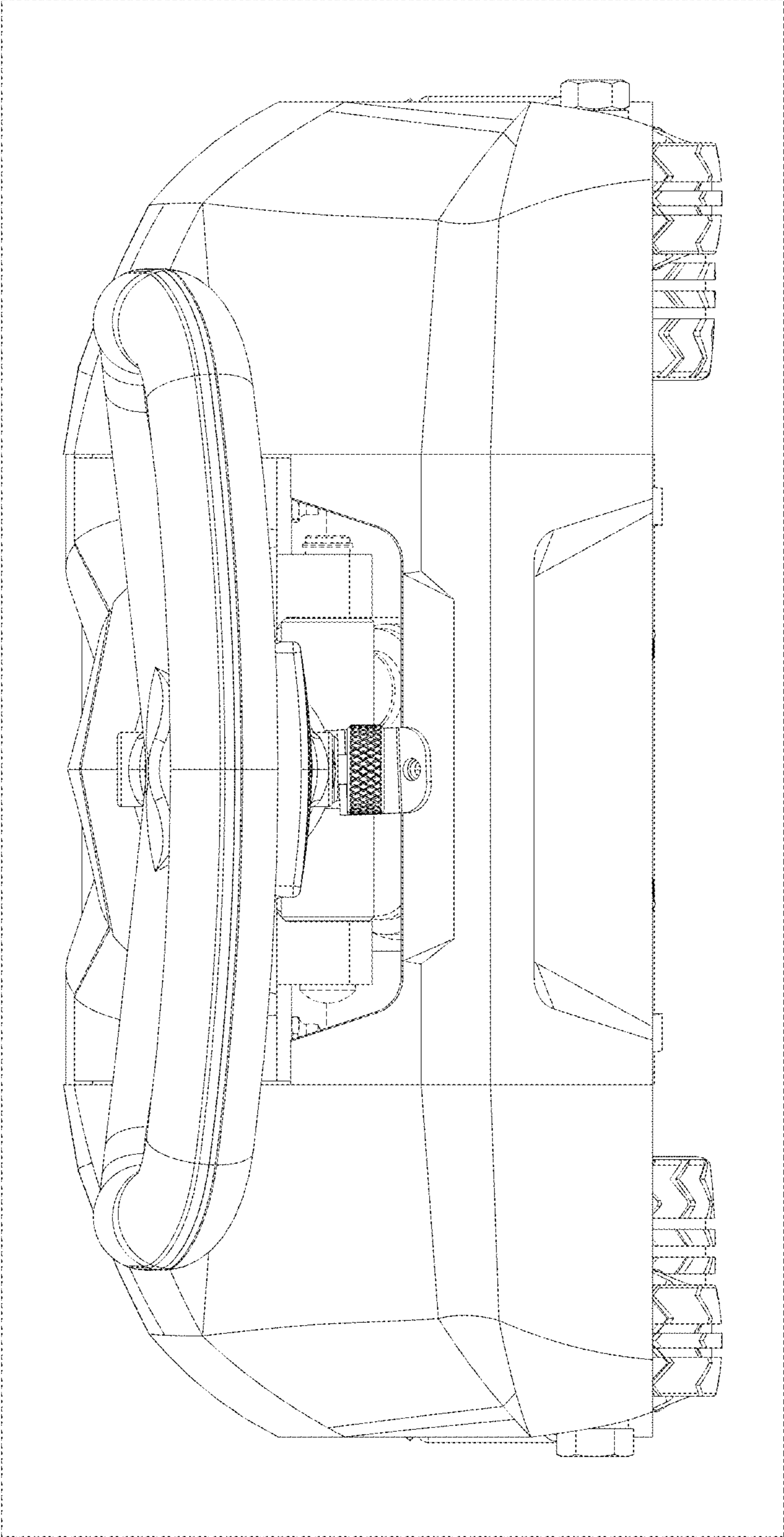


FIG.18

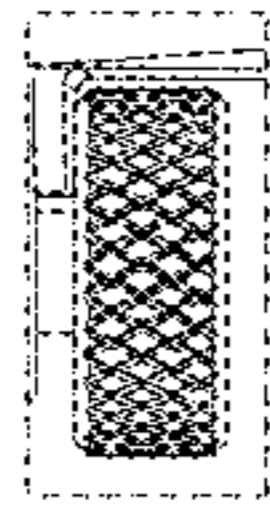


FIG. 19

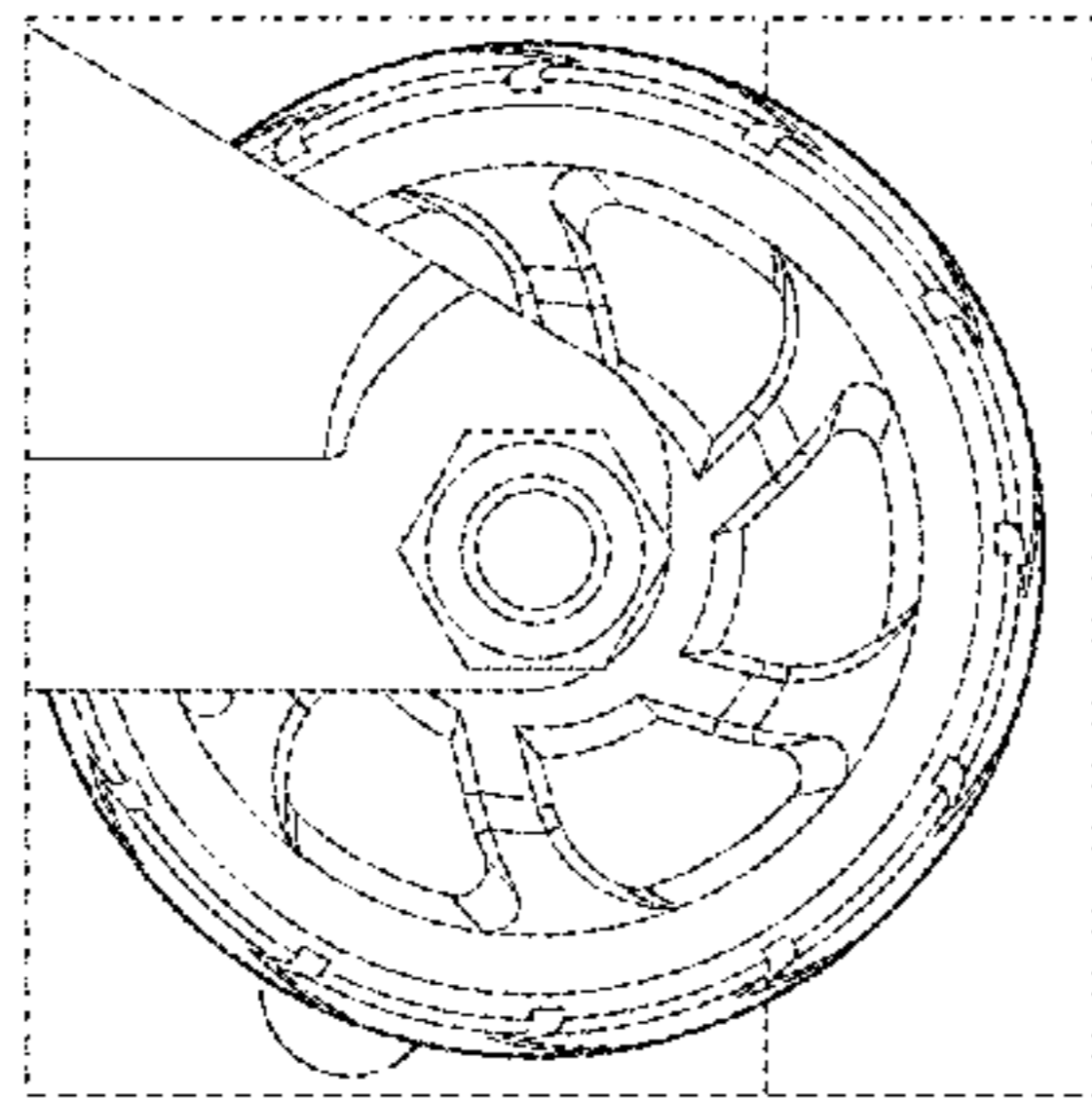


FIG.20

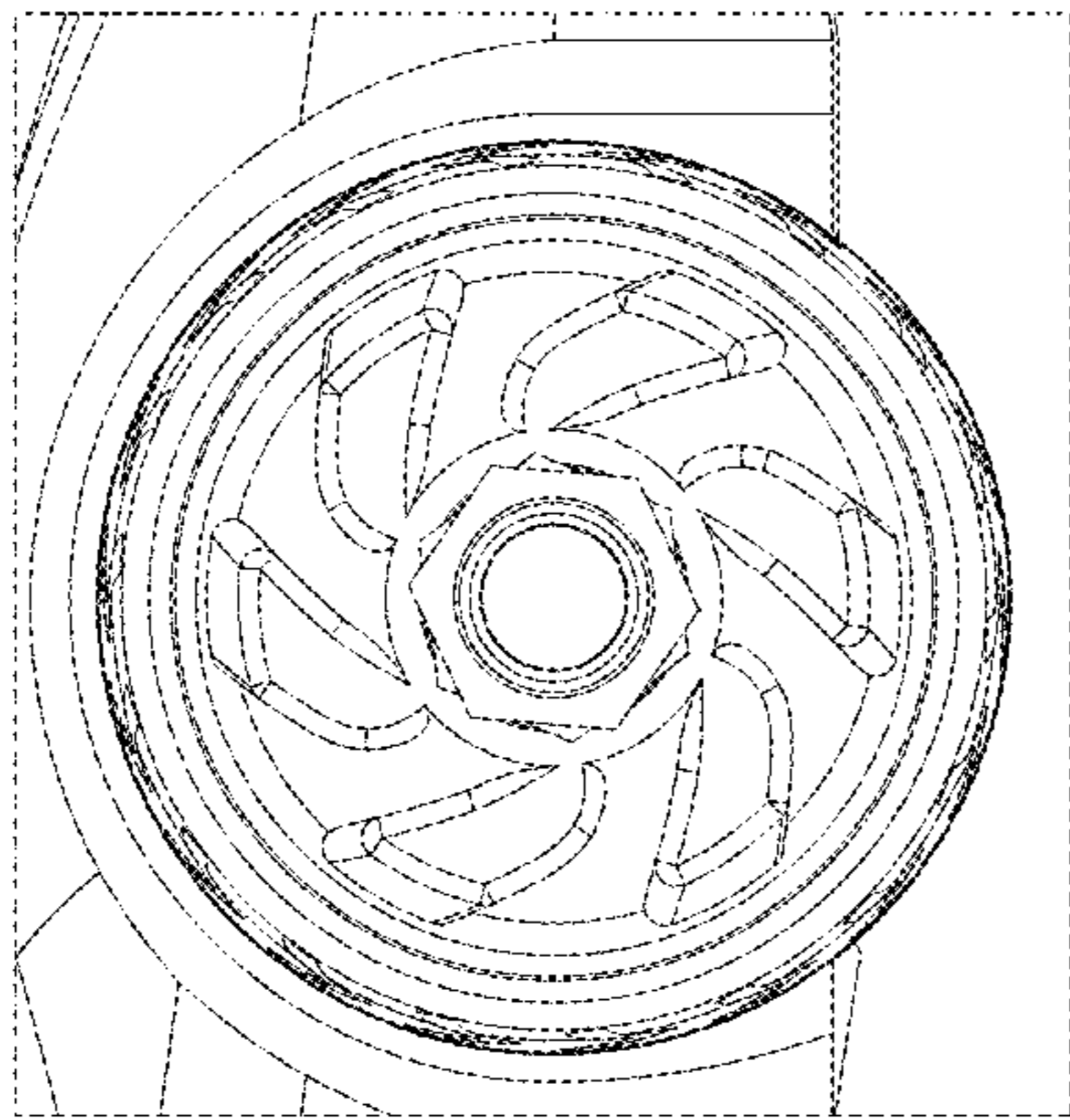


FIG. 21

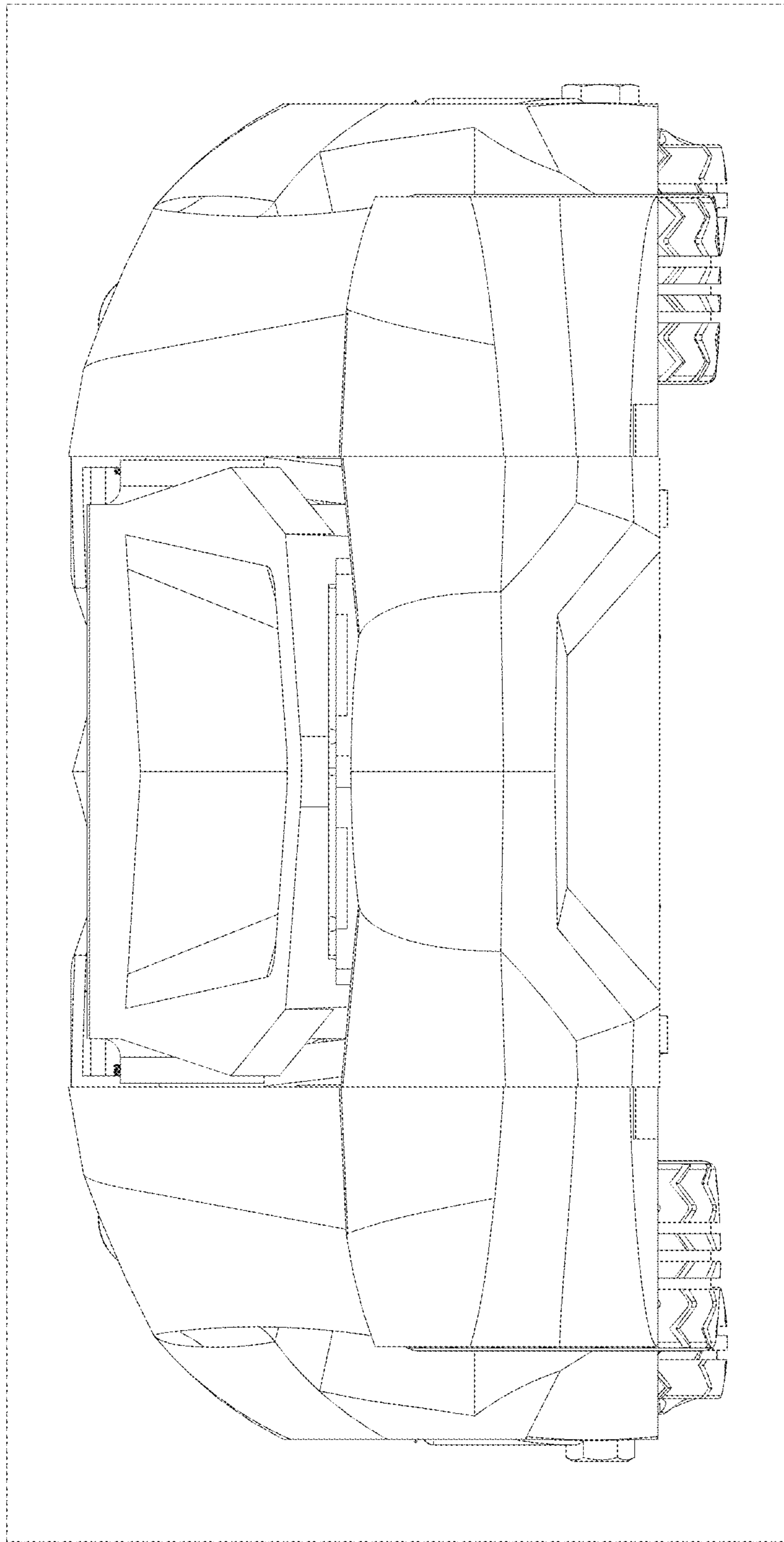


FIG.22