

US00D933927S

(12) **United States Design Patent**
Rotem

(10) **Patent No.:** **US D933,927 S**
(45) **Date of Patent:** **** Oct. 19, 2021**

(54) **VACUUM GRIPPER**

3,506,297 A 4/1970 Creskoff
3,763,453 A * 10/1973 Schurr H01F 7/206
335/292
3,915,241 A 10/1975 Bieri
3,970,341 A * 7/1976 Glanemann B66C 1/0212
294/186
4,112,248 A * 9/1978 Leive H01F 7/206
174/50

(71) Applicant: **Nemo Power Tools Ltd.**, Hong Kong
(CN)

(72) Inventor: **Nimrod Rotem**, San Francisco, CA
(US)

(73) Assignee: **Nemo Power Tools Ltd.**, Hong Kong
(CN)

(Continued)

(**) Term: **15 Years**

(21) Appl. No.: **29/753,783**

(22) Filed: **Oct. 1, 2020**

FOREIGN PATENT DOCUMENTS

EP 3181027 A1 6/2017
GB 1036586 A 7/1966
WO 2010110719 A1 9/2010

Primary Examiner — Cynthia Ramirez

(74) *Attorney, Agent, or Firm* — Connie R. Masters

Related U.S. Application Data

(63) Continuation of application No. 16/769,107, filed on
Jun. 2, 2020.

(57) **CLAIM**

The ornamental design for a vacuum gripper, as shown and
described.

(30) **Foreign Application Priority Data**

May 8, 2018 (IL) 259216

(51) **LOC (13) Cl.** **12-05**

(52) **U.S. Cl.**
USPC **D34/28**

(58) **Field of Classification Search**
USPC D34/28; D8/349, 354, 373
CPC ... B29C 48/022; B29C 48/0012; B29C 48/91;
B29C 48/03; B29C 44/26; B66C 1/023;
B66C 1/0281; B66C 1/0293; F16J 15/10;
F16J 15/022; F16J 15/104
See application file for complete search history.

DESCRIPTION

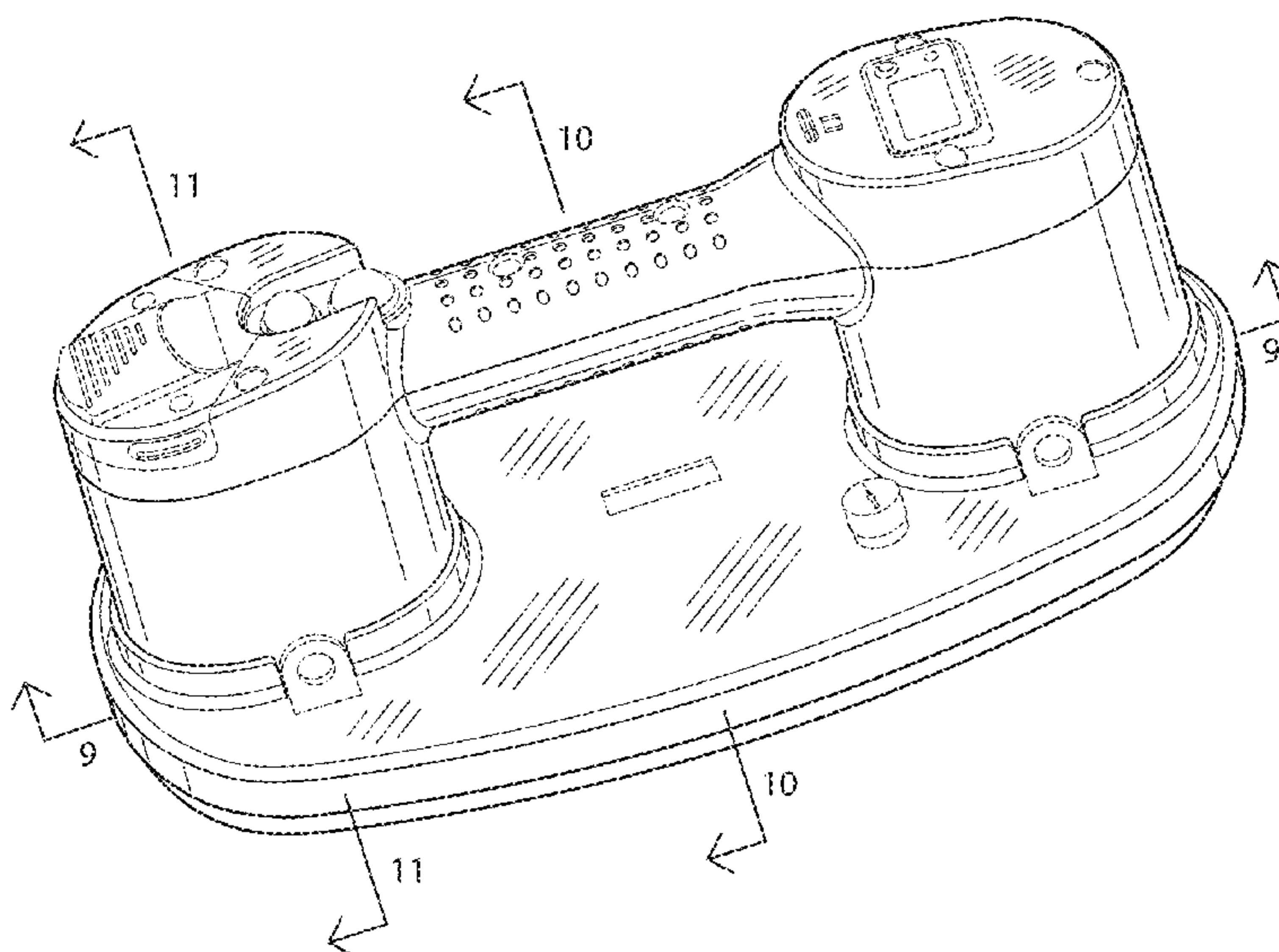
FIG. 1 is a top perspective view of a vacuum gripper,
showing my new design;
FIG. 2 is a bottom perspective view thereof;
FIG. 3 is a front view thereof;
FIG. 4 is a rear view thereof;
FIG. 5 is a right side view thereof;
FIG. 6 is a left side view thereof;
FIG. 7 is a top view thereof;
FIG. 8 is a bottom view thereof;
FIG. 9 is a sectional view thereof, which is taken along line
9-9 in FIG. 1;
FIG. 10 is a sectional view thereof, which is taken along line
10-10 in FIG. 1; and,
FIG. 11 is a sectional view thereof, which is taken along line
11-11 in FIG. 1.
The broken lines depict portions of the vacuum gripper that
form no part of the claimed design.

(56) **References Cited**

U.S. PATENT DOCUMENTS

1,294,103 A 2/1919 Hitchcock
2,837,702 A * 6/1958 Blind H01F 7/206
335/291
2,920,916 A 1/1960 Pagdin

1 Claim, 11 Drawing Sheets



(56)

References Cited

U.S. PATENT DOCUMENTS

4,185,261 A *	1/1980	Nagata	H01F 7/206	7,404,536 B2	7/2008	Kalb	
				294/65.5	D609,340 S	2/2010	Eder et al.	
D269,939 S	8/1983	Norman			7,712,807 B2	5/2010	Perlman et al.	
4,852,926 A	8/1989	Littell			7,963,578 B2	6/2011	Wells et al.	
5,190,332 A	3/1993	Nagai et al.			D651,505 S	1/2012	Roth et al.	
D337,411 S *	7/1993	Smith	D13/183	8,096,537 B2	1/2012	Browne et al.	
5,375,895 A	12/1994	Volkert			8,267,386 B2	9/2012	Schaaf et al.	
D386,842 S	11/1997	Hoshino et al.			8,414,045 B2	4/2013	Schaaf	
5,748,062 A *	5/1998	Kirkpatrick	H01F 7/206	9,062,689 B2	6/2015	Schaaf	
				294/65.5	9,108,319 B2	8/2015	Kniss et al.	
6,039,371 A *	3/2000	Smith	E04F 21/22	9,215,962 B2	12/2015	Qian	
				254/200	9,815,209 B2	11/2017	Pinet et al.	
6,213,528 B1	4/2001	Hufken et al.			D879,396 S	3/2020	Knight	
6,244,778 B1	6/2001	Chesbrough			D880,087 S	3/2020	Knight	
D446,623 S *	8/2001	Smith	D34/35	D893,981 S *	8/2020	Livingston, Jr. D8/315
6,279,976 B1	8/2001	Ball			2007/0200378 A1 *	8/2007	Johnson B66C 1/0256
6,296,426 B1	10/2001	King et al.						294/65
6,382,692 B1	5/2002	Schmalz et al.			2007/0241575 A1 *	10/2007	Lundin B66C 1/0293
6,413,022 B1	7/2002	Sarh						294/183
6,502,877 B2	1/2003	Schick et al.			2009/0166490 A1 *	7/2009	Liao F16B 47/00
D490,201 S *	5/2004	Liao	D34/28				248/205.8
7,086,675 B2	8/2006	Jacobs			2010/0150743 A1 *	6/2010	Dellach B66C 1/0212
7,222,901 B2	5/2007	Gebauer et al.						417/182
7,267,512 B1	9/2007	Mueller			2014/0035304 A1 *	2/2014	Seebauer B66C 1/0293
								294/189
					2018/0094728 A1 *	4/2018	Denton F16J 15/022
					2021/0033193 A1 *	2/2021	Aoki F16J 15/025

* cited by examiner

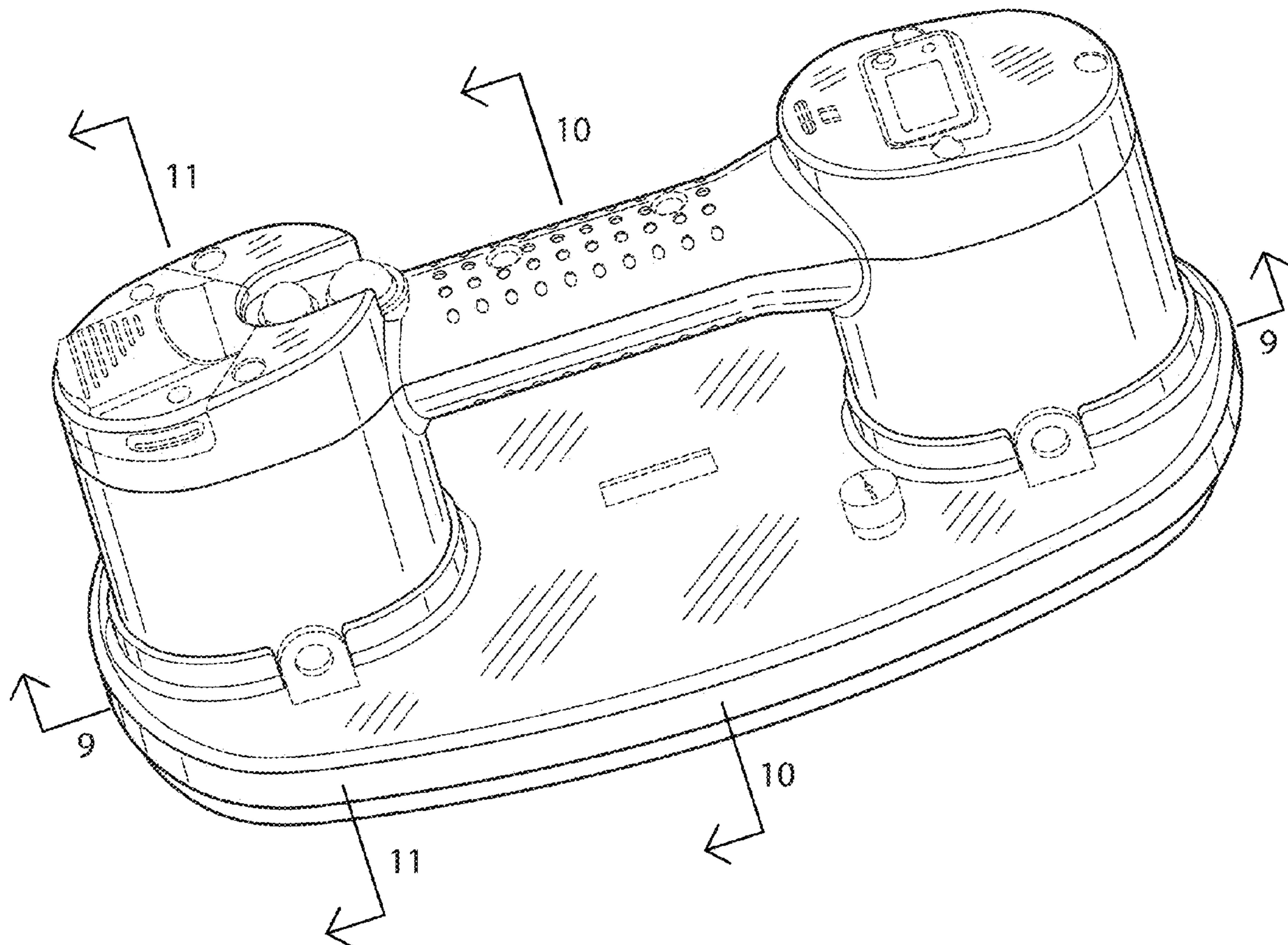


FIG. 1

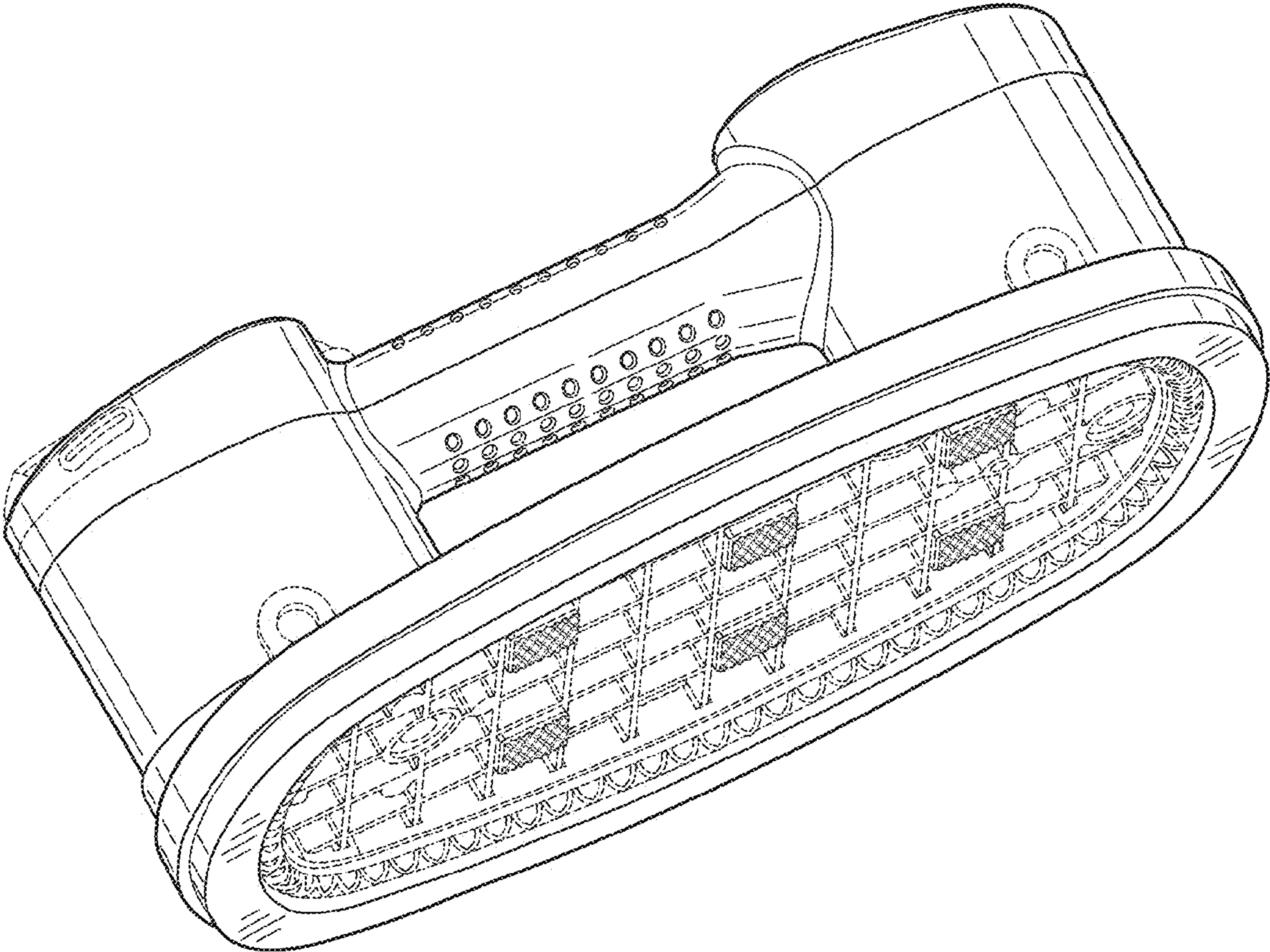


FIG. 2

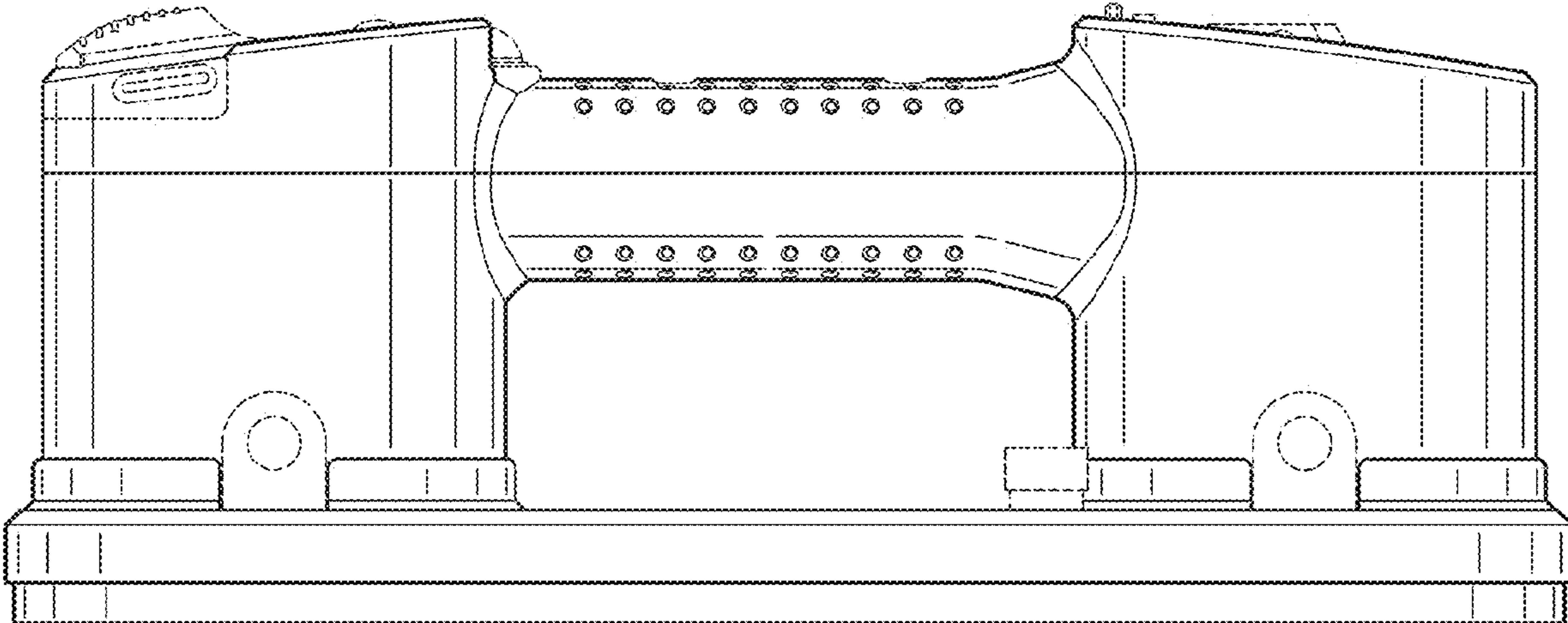


FIG. 3

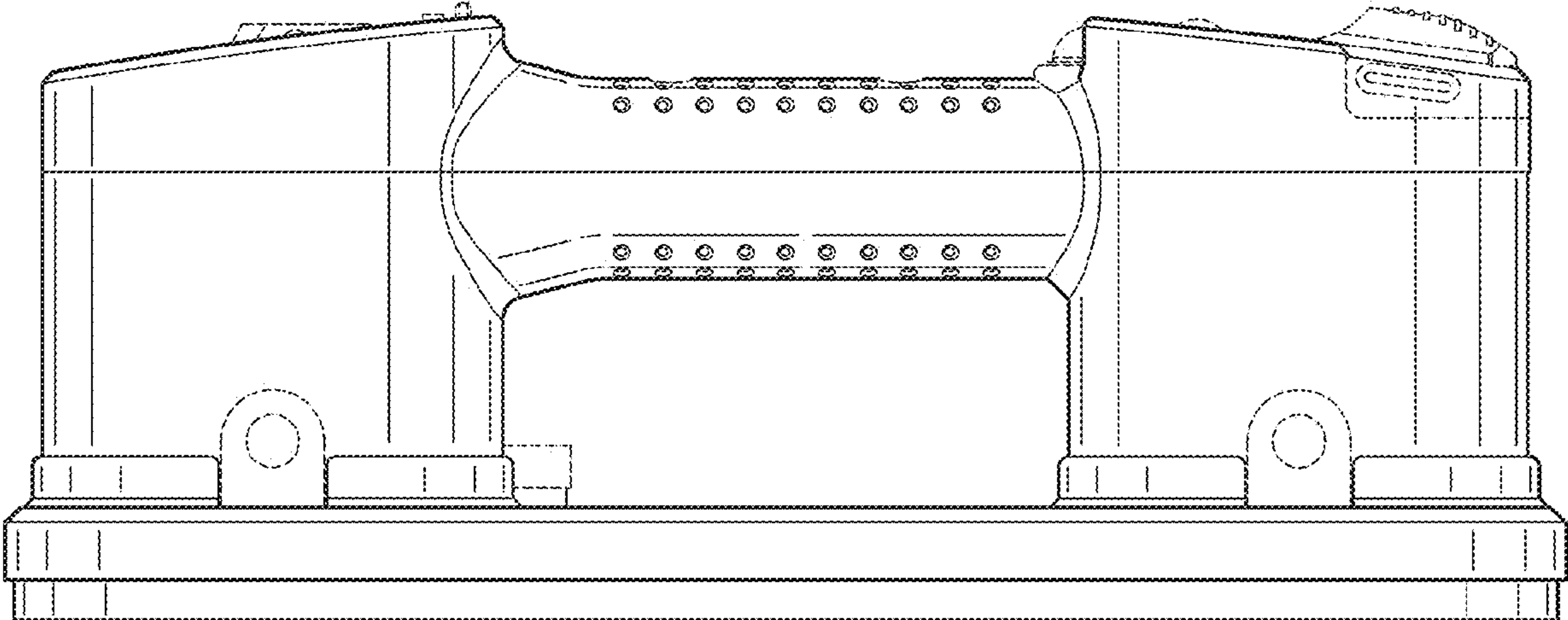


FIG. 4

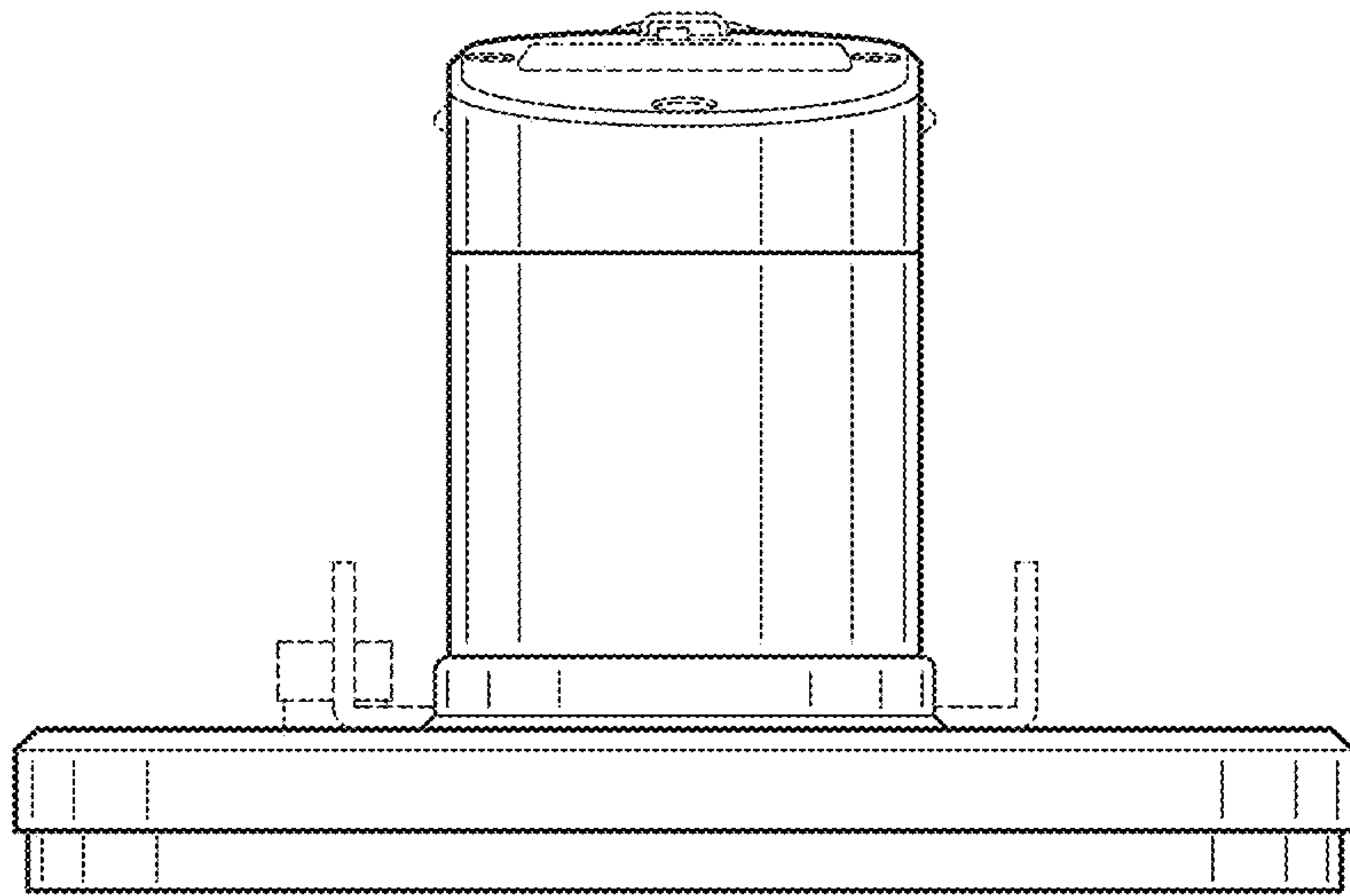


FIG. 5

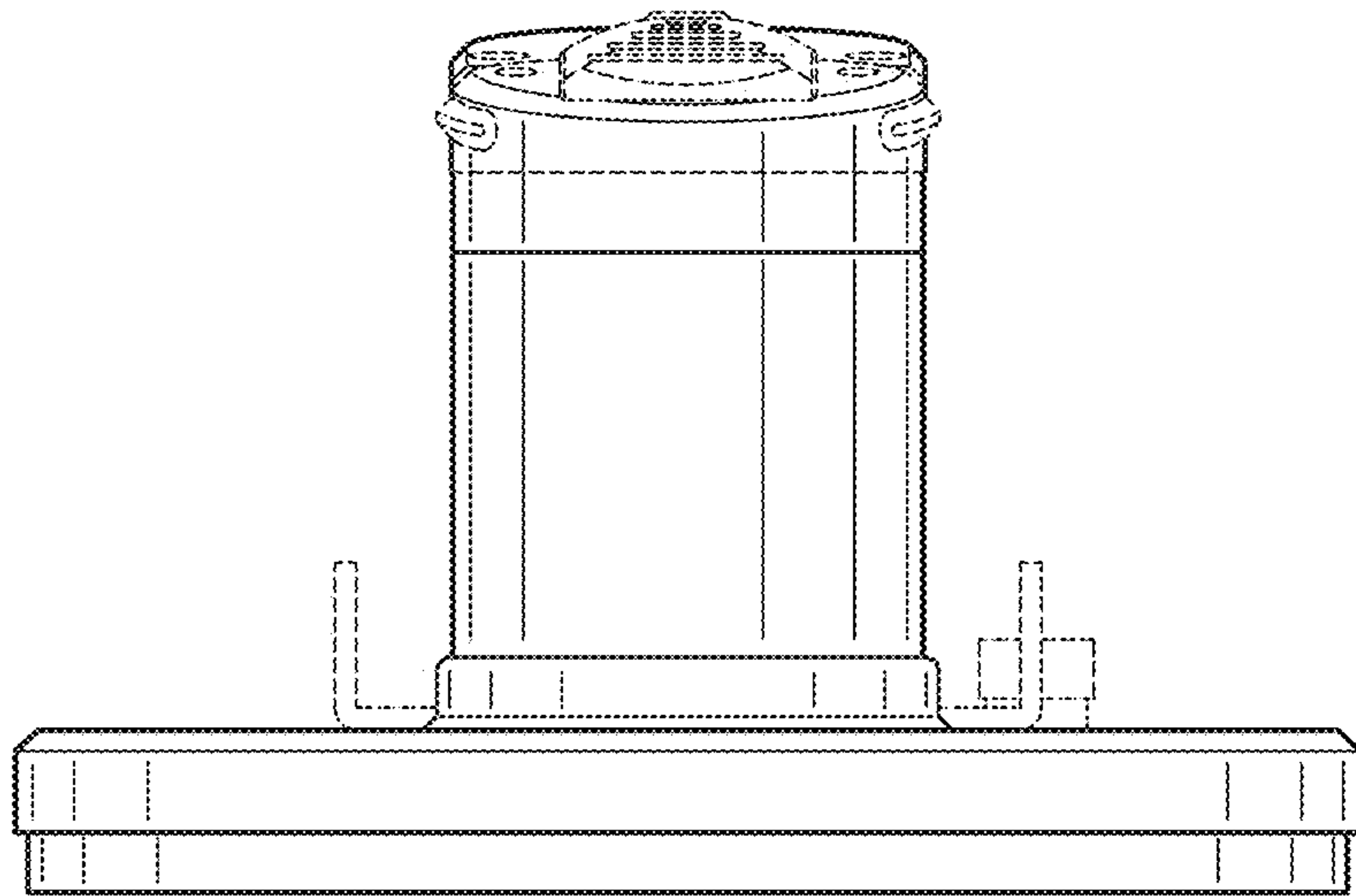


FIG. 6

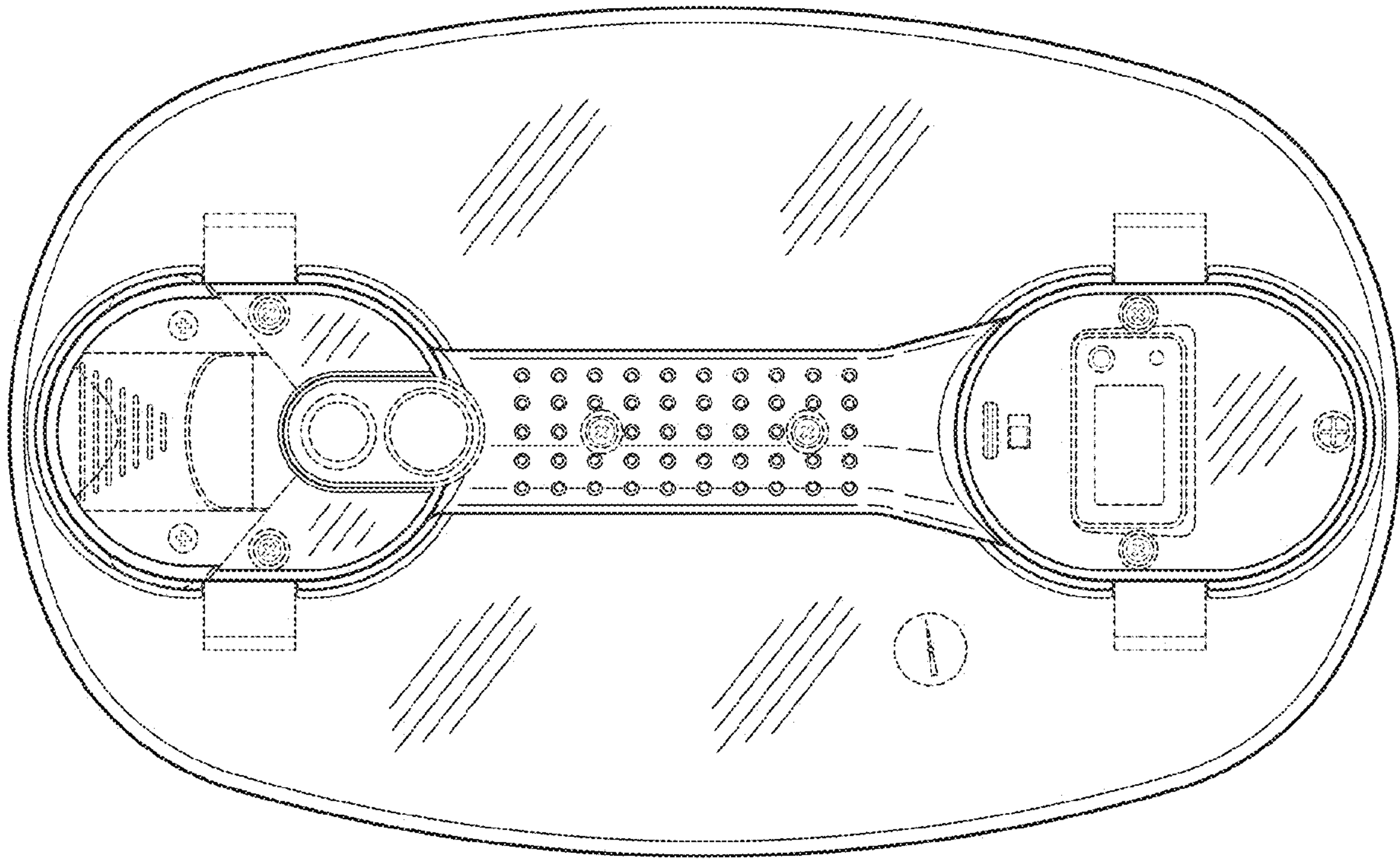


FIG. 7

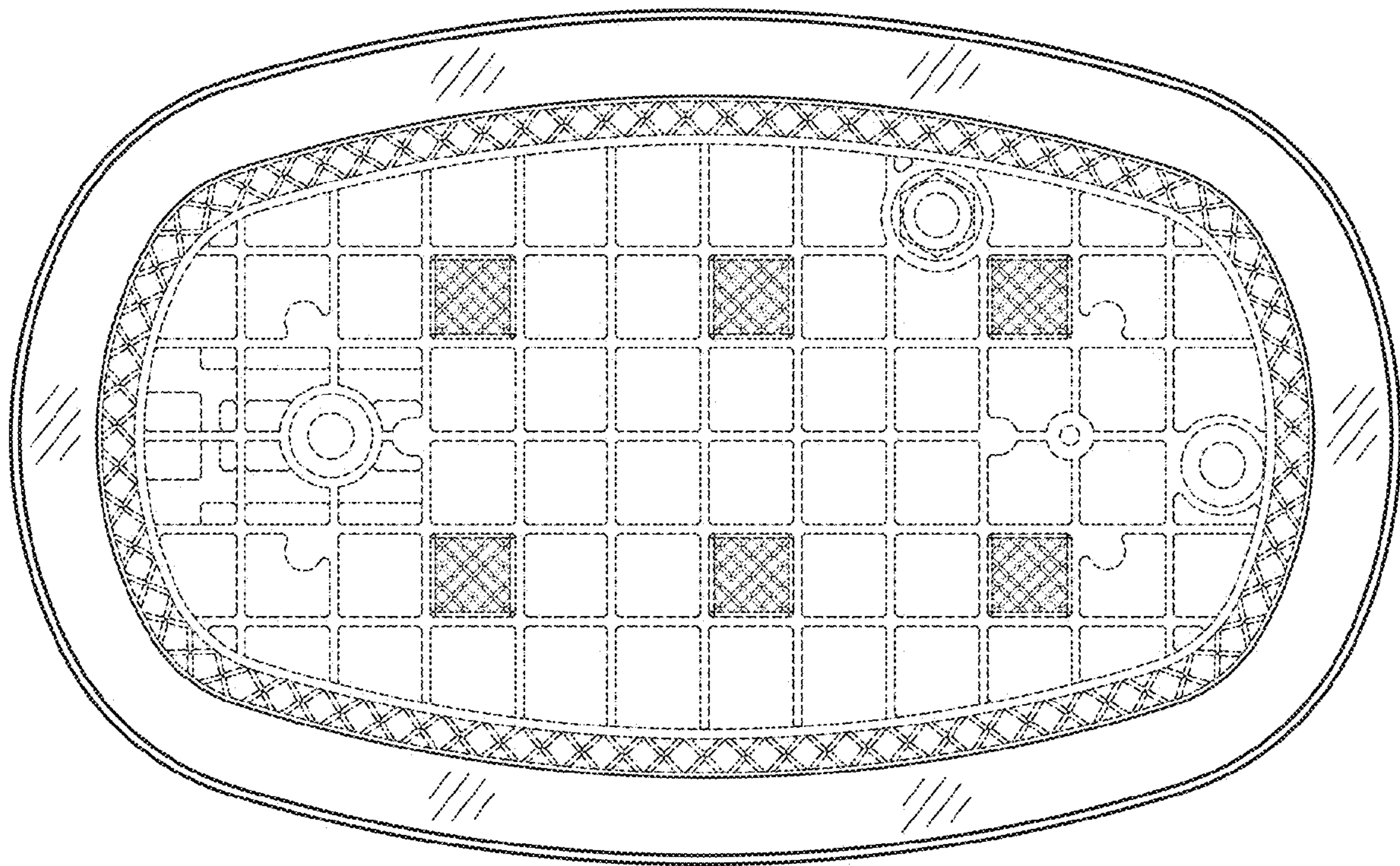


FIG. 8

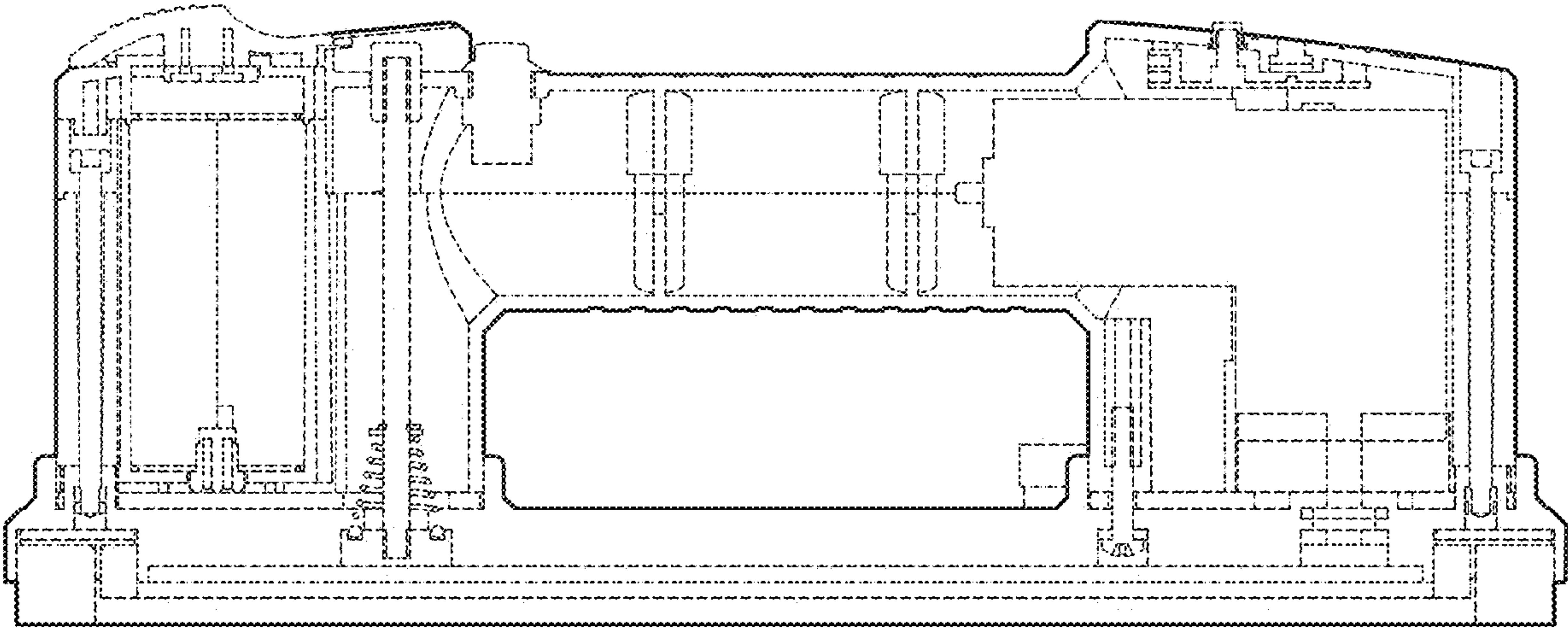


FIG. 9

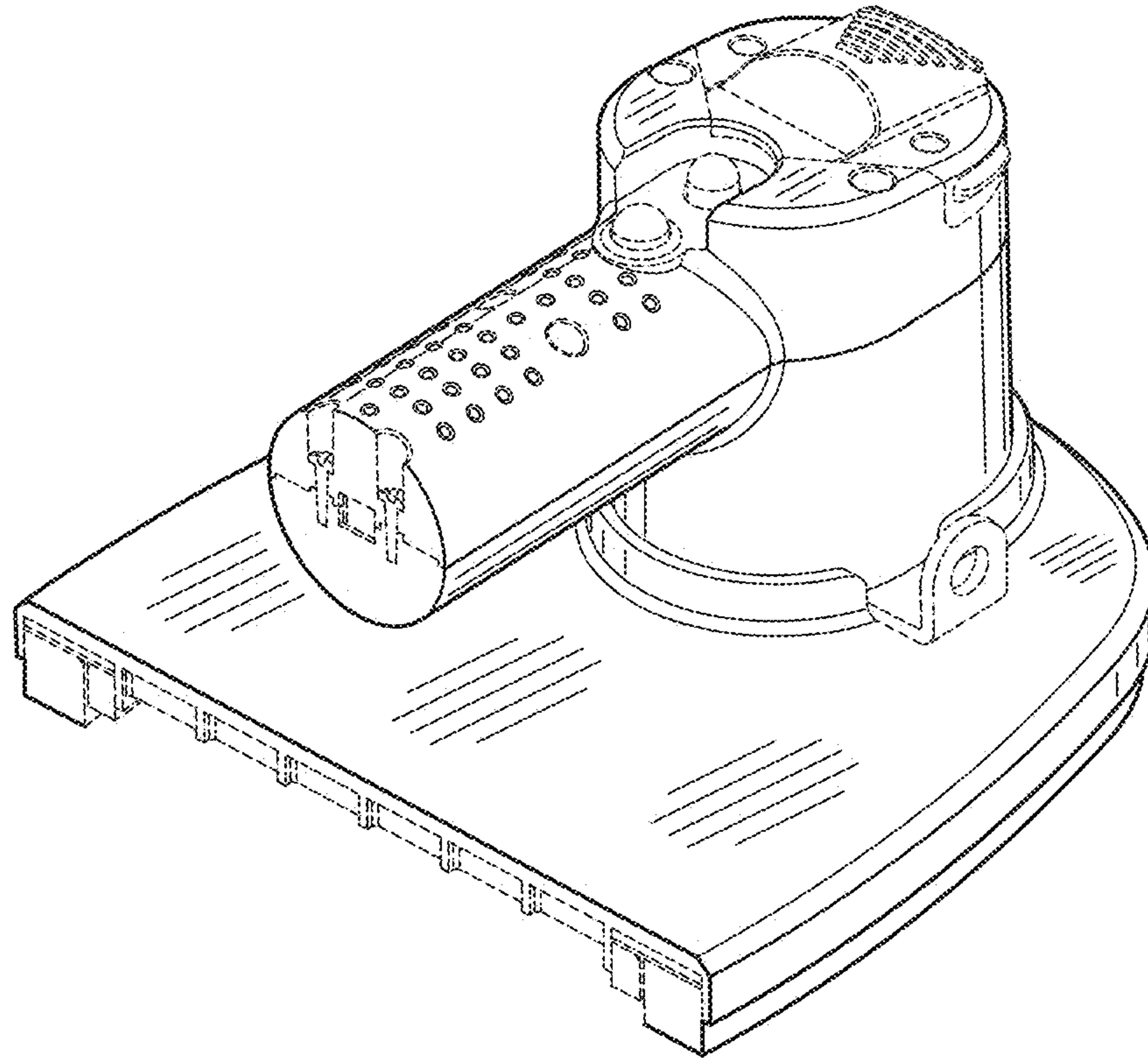


FIG. 10

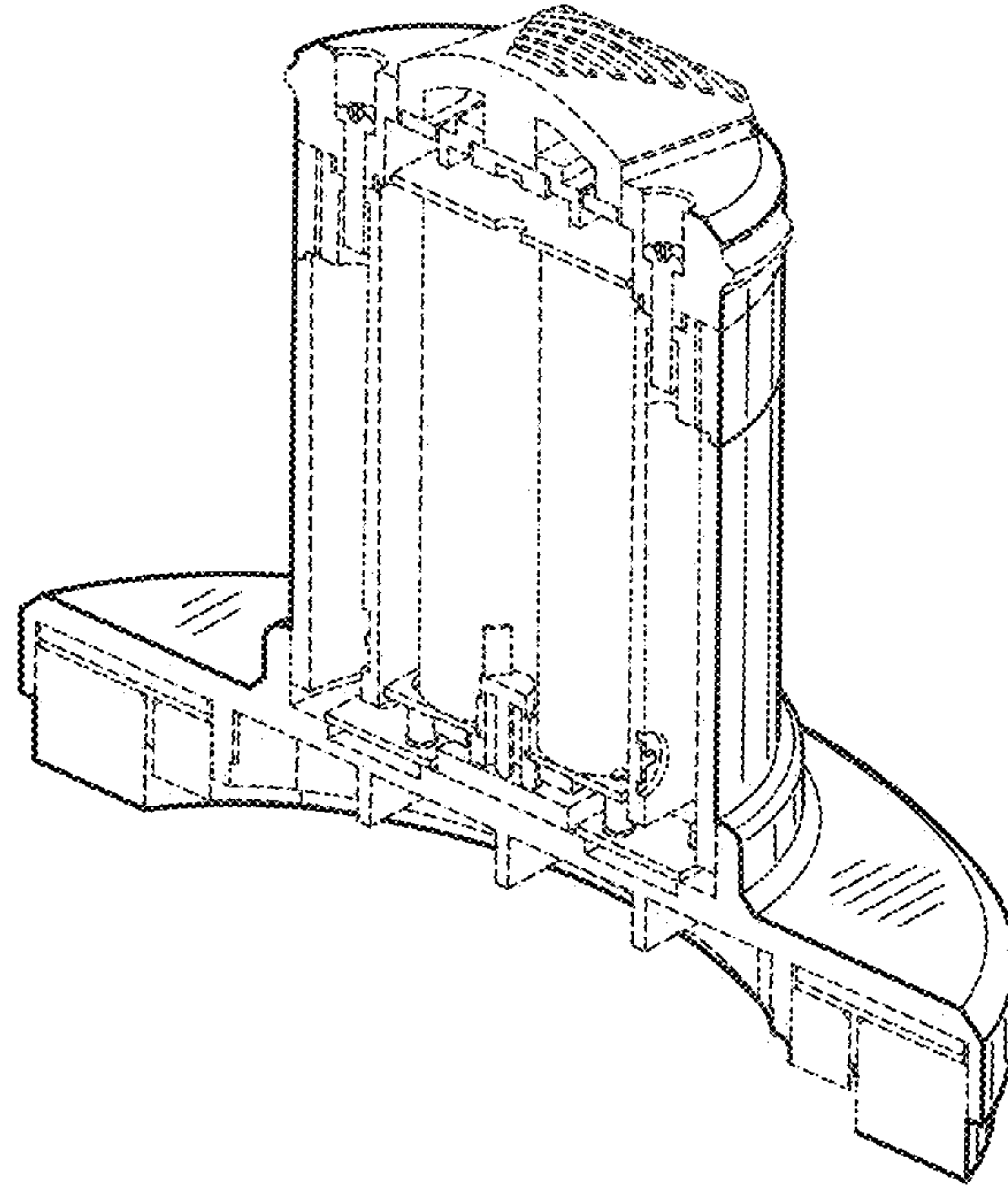


FIG. 11