



US00D933926S

(12) **United States Design Patent**
Theißen

(10) **Patent No.:** **US D933,926 S**

(45) **Date of Patent:** **** Oct. 19, 2021**

(54) **HOIST FOR GLASS PLATES**

(71) Applicant: **Bohle AG**, Haan (DE)

(72) Inventor: **Marco Theißen**, Wermelskirchen (DE)

(73) Assignee: **Bohle AG**, Haan (DE)

(**) Term: **15 Years**

(21) Appl. No.: **29/703,114**

(22) Filed: **Aug. 23, 2019**

(30) **Foreign Application Priority Data**

Feb. 27, 2019 (EM) 006269346-0001

(51) **LOC (13) Cl.** **12-05**

(52) **U.S. Cl.**
USPC **D34/28**

(58) **Field of Classification Search**
USPC D34/1-35; D14/452; D8/382
CPC B65H 3/0816; B65H 3/08; B65H 3/0883;
G06F 3/0412; B65G 49/061
See application file for complete search history.

(56) **References Cited**

U.S. PATENT DOCUMENTS

3,219,377	A *	11/1965	Allen	B25B 11/007
					294/187
D641,610	S *	7/2011	Sedalo	D8/354
D651,505	S *	1/2012	Roth	D8/373
D673,960	S *	1/2013	Lindfield	D14/447
D685,563	S *	7/2013	Chan	D34/28
D686,216	S *	7/2013	Hachadorian	D14/447
D832,087	S *	10/2018	Fievet	D8/382
D841,631	S *	2/2019	Pei	D14/239
D848,988	S *	5/2019	Pei	D14/239
10,295,113	B1 *	5/2019	Fox	B66F 5/00
D870,095	S *	12/2019	Hu	D14/253
D877,746	S *	3/2020	Pei	D14/452

D878,382	S *	3/2020	Pei	D14/452
2019/0191879	A1 *	6/2019	Pei	F16M 11/105
2020/0079598	A1 *	3/2020	Carlei	B66F 9/181
2020/0269391	A1 *	8/2020	Theissen	B66C 1/0218

OTHER PUBLICATIONS

Woods Power Gripr, announced 2020 [online], [site visited Oct. 29, 2020]. Available from internet, URL: <https://www.grainger.com/product/2MDF6> (Year: 2020).*

* cited by examiner

Primary Examiner — Kevin K Rudzinski

Assistant Examiner — Tamara L Hahn

(74) *Attorney, Agent, or Firm* — Patent Technologies, LLC; Robert D. Gunderman, Jr.

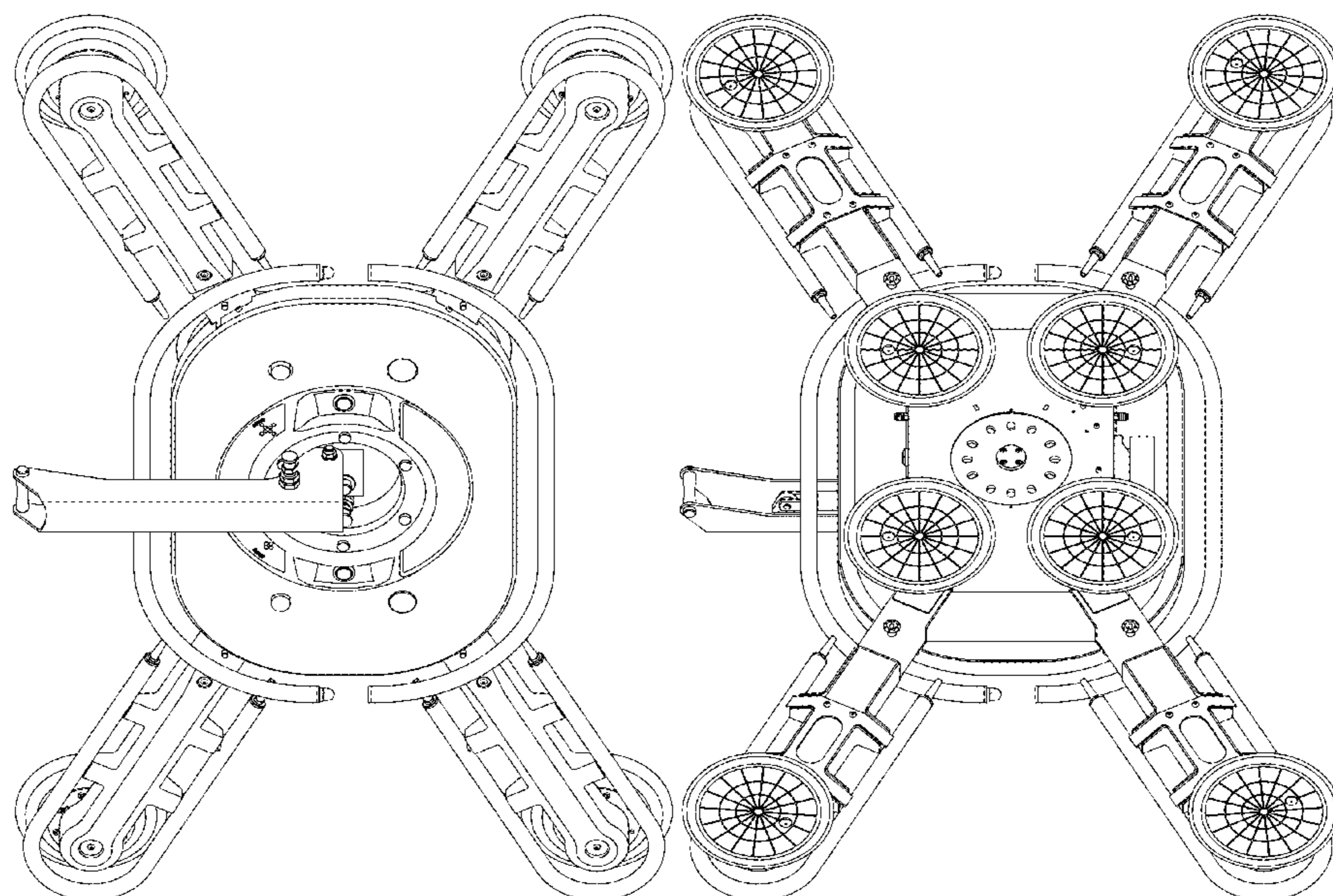
(57) **CLAIM**

The ornamental design for a hoist for glass plates, as shown and described.

DESCRIPTION

FIG. 1 is a bottom plan view of a hoist for glass plates showing my new design;
 FIG. 2 is a top plan view of the hoist for glass plates of FIG. 1;
 FIG. 3 is a top perspective view of the hoist for glass plates of FIG. 1;
 FIG. 4 is a bottom perspective view of the hoist for glass plates of FIG. 1;
 FIG. 5 is a first side elevational view of the hoist for glass plates of FIG. 1;
 FIG. 6 is a second side elevational view of the hoist for glass plates of FIG. 1;
 FIG. 7 is a third side elevational view of the hoist for glass plates of FIG. 1; and,
 FIG. 8 is a fourth side elevational view of the hoist for glass plates of FIG. 1.

1 Claim, 8 Drawing Sheets



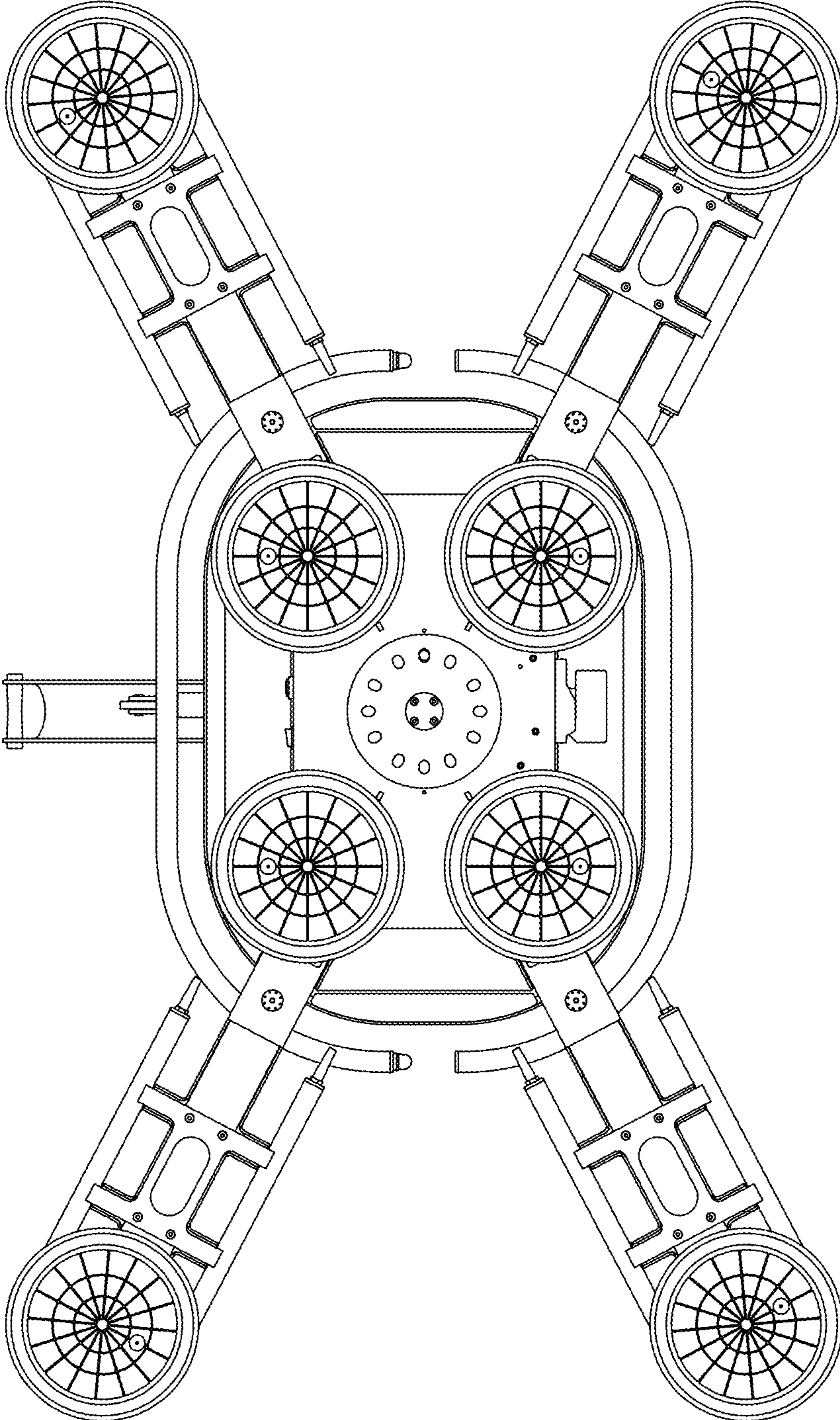


Fig. 1

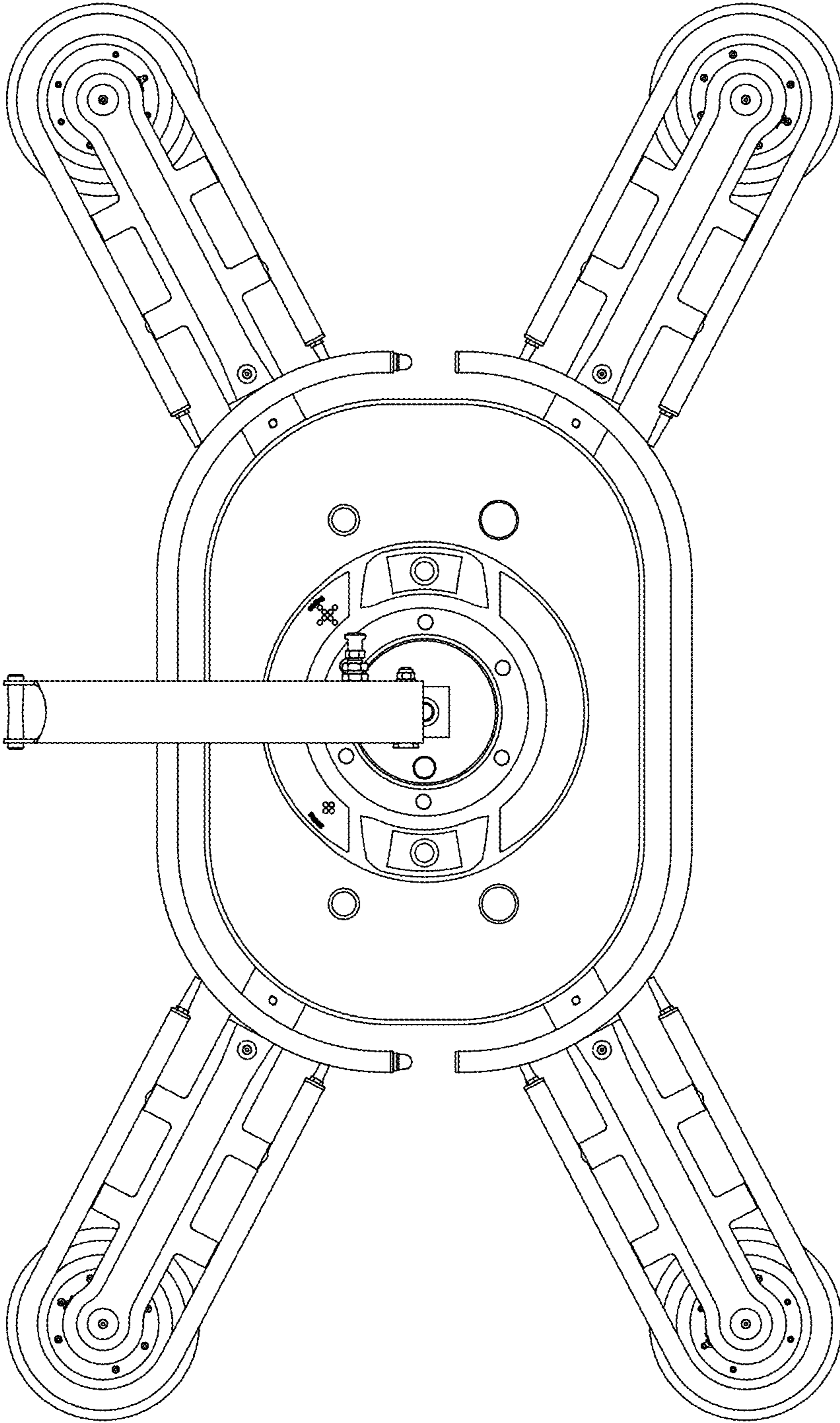


Fig. 2

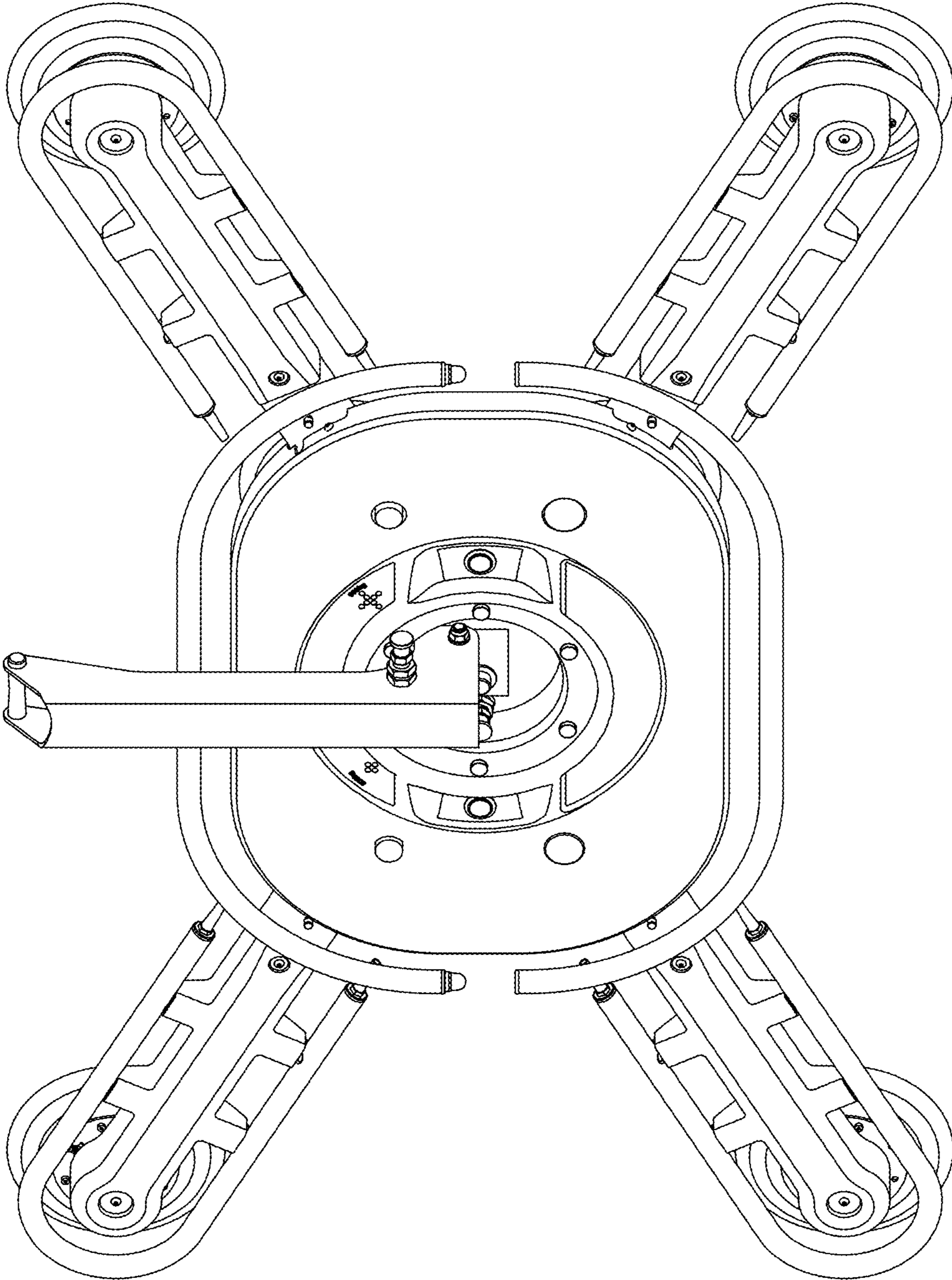


Fig. 3

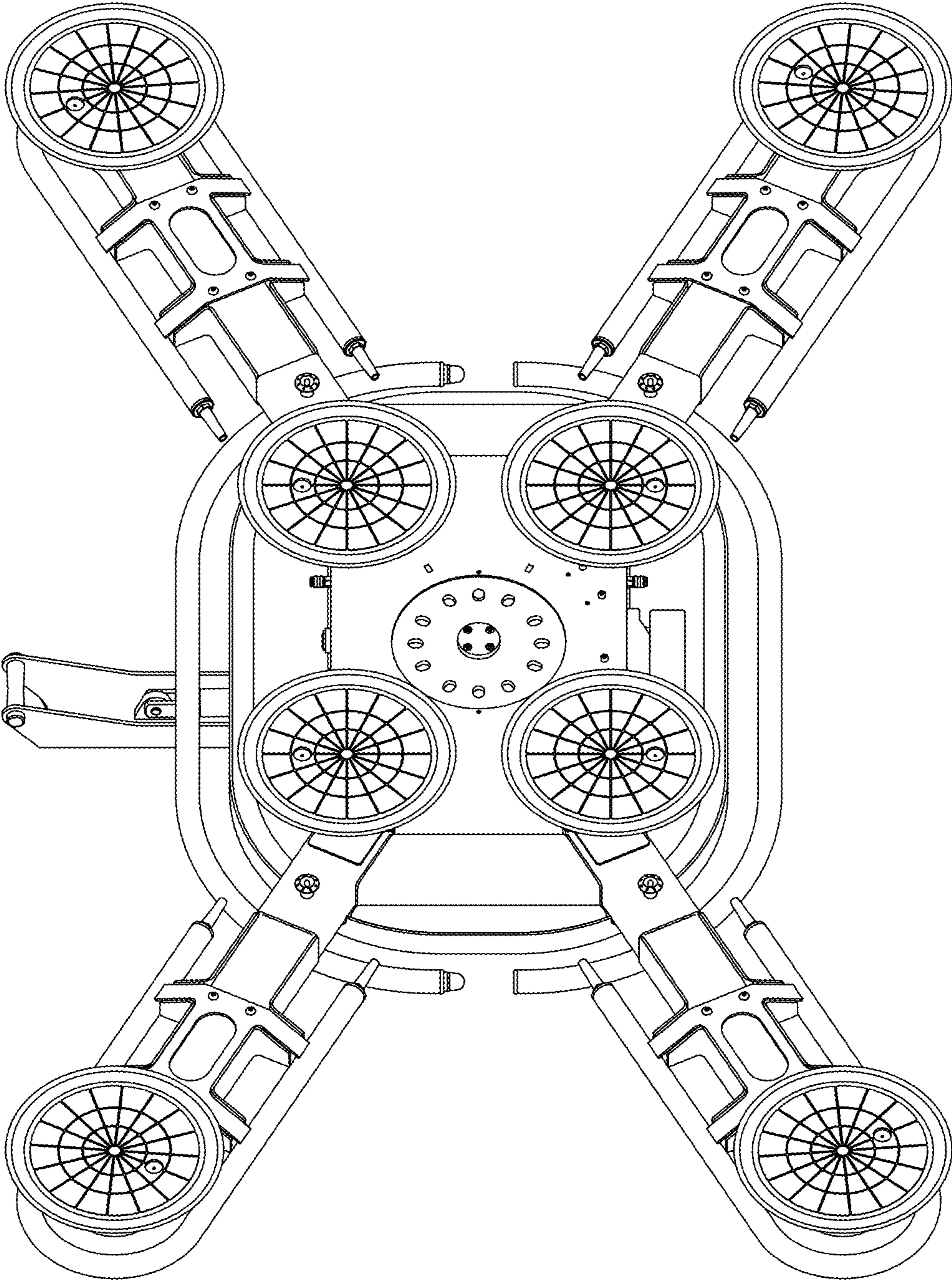


Fig. 4

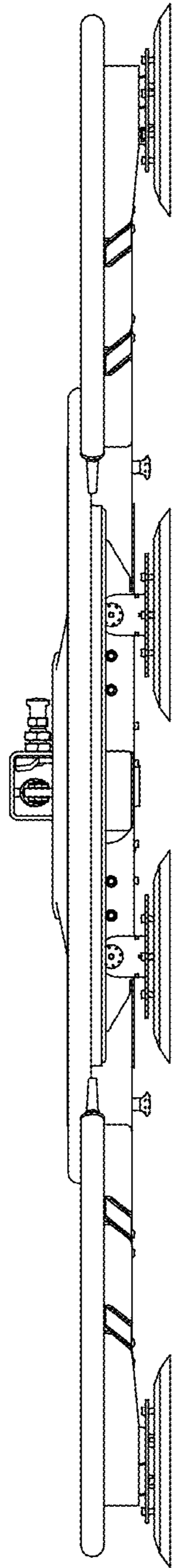


Fig. 5

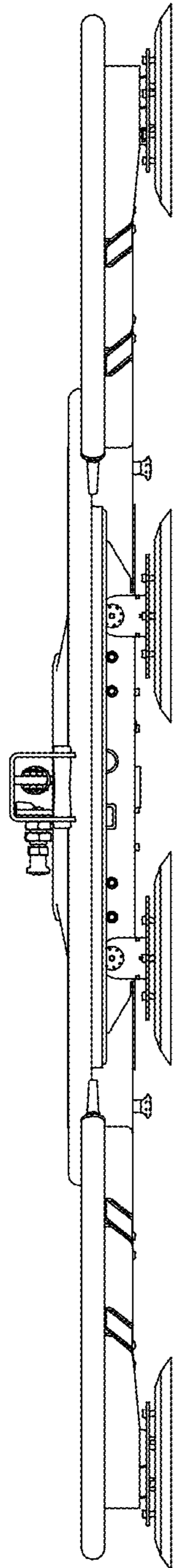


Fig. 6

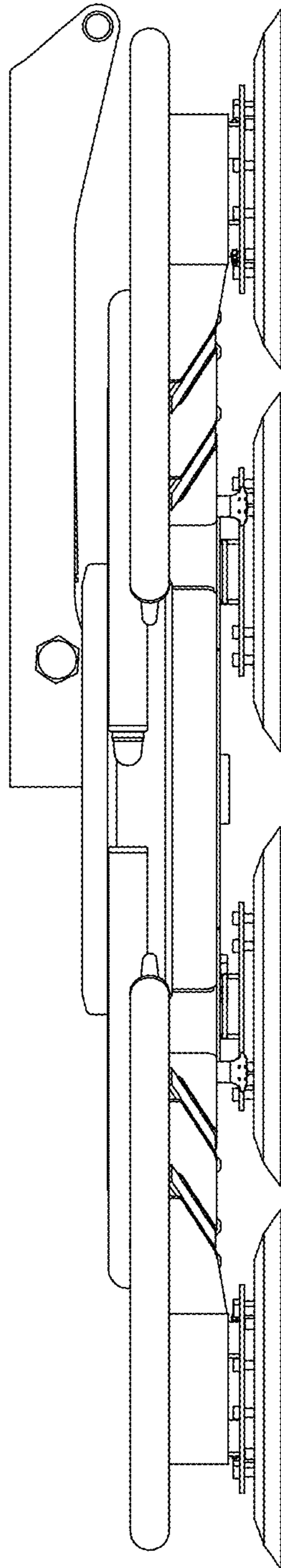


Fig. 7

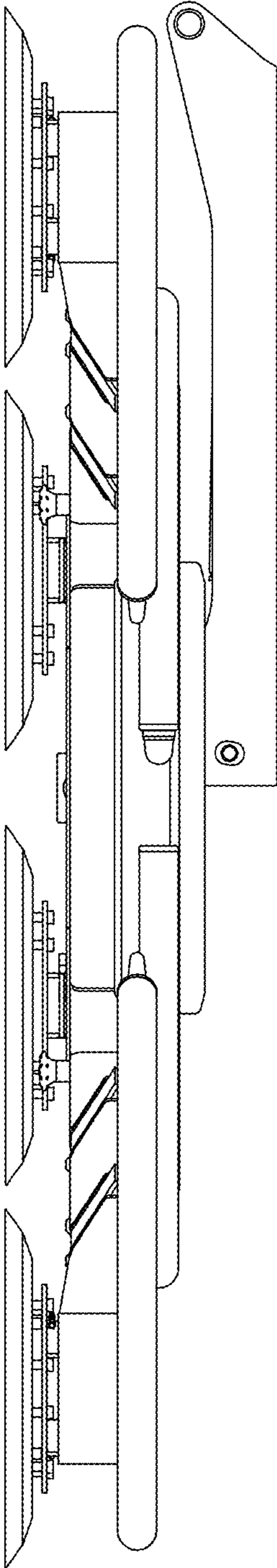


Fig. 8