



US00D933925S

(12) **United States Design Patent** (10) **Patent No.:** **US D933,925 S**
Nomura et al. (45) **Date of Patent:** **** Oct. 19, 2021**

(54) **TRANSFER ASSISTANCE MACHINE**
 (71) Applicant: **FUJI CORPORATION**, Aichi-ken (JP)
 (72) Inventors: **Hideaki Nomura**, Aichi-ken (JP);
Takeshi Sato, Aichi-ken (JP);
Nobuyuki Nakane, Aichi-ken (JP);
Kuniyasu Nakane, Aichi-ken (JP);
Tomoko Nagae, Aichi-ken (JP)

(73) Assignee: **FUJI CORPORATION**, Aichi (JP)

(**) Term: **15 Years**

(21) Appl. No.: **29/663,635**

(22) Filed: **Sep. 18, 2018**

(30) **Foreign Application Priority Data**

Mar. 19, 2018 (JP) 2018-005680

(51) **LOC (13) Cl.** **12-05**

(52) **U.S. Cl.**
 USPC **D34/28**

(58) **Field of Classification Search**
 USPC D34/12-39; D24/183; D8/382, 356,
 D8/349, 353, 354, 380
 CPC .. A61G 7/1069; A61G 7/1046; A61G 7/1078;
 A61G 7/1017; A61G 7/1096
 See application file for complete search history.

(56) **References Cited**

U.S. PATENT DOCUMENTS

10,045,895 B2 * 8/2018 Eklof A61G 7/1046
 10,874,565 B2 * 12/2020 Eriksson A61G 7/1017
 D926,417 S * 7/2021 Nomura D34/35

2002/0153176 A1* 10/2002 Downing G01G 19/44
 177/144
 2009/0165204 A1* 7/2009 Biersteker A61G 7/1051
 5/87.1
 2010/0031439 A1* 2/2010 Spidare A61G 7/1069
 5/87.1

OTHER PUBLICATIONS

Hug-T1, announced 2019 [online], [site visited Feb. 4, 2021].
 Available from internet, URL: https://www.youtube.com/watch?v=lkOqKd3llp4&feature=emb_title (Year: 2019).*

* cited by examiner

Primary Examiner — George A Bugg
Assistant Examiner — Tamara L Hahn
 (74) *Attorney, Agent, or Firm* — JCIPRNET

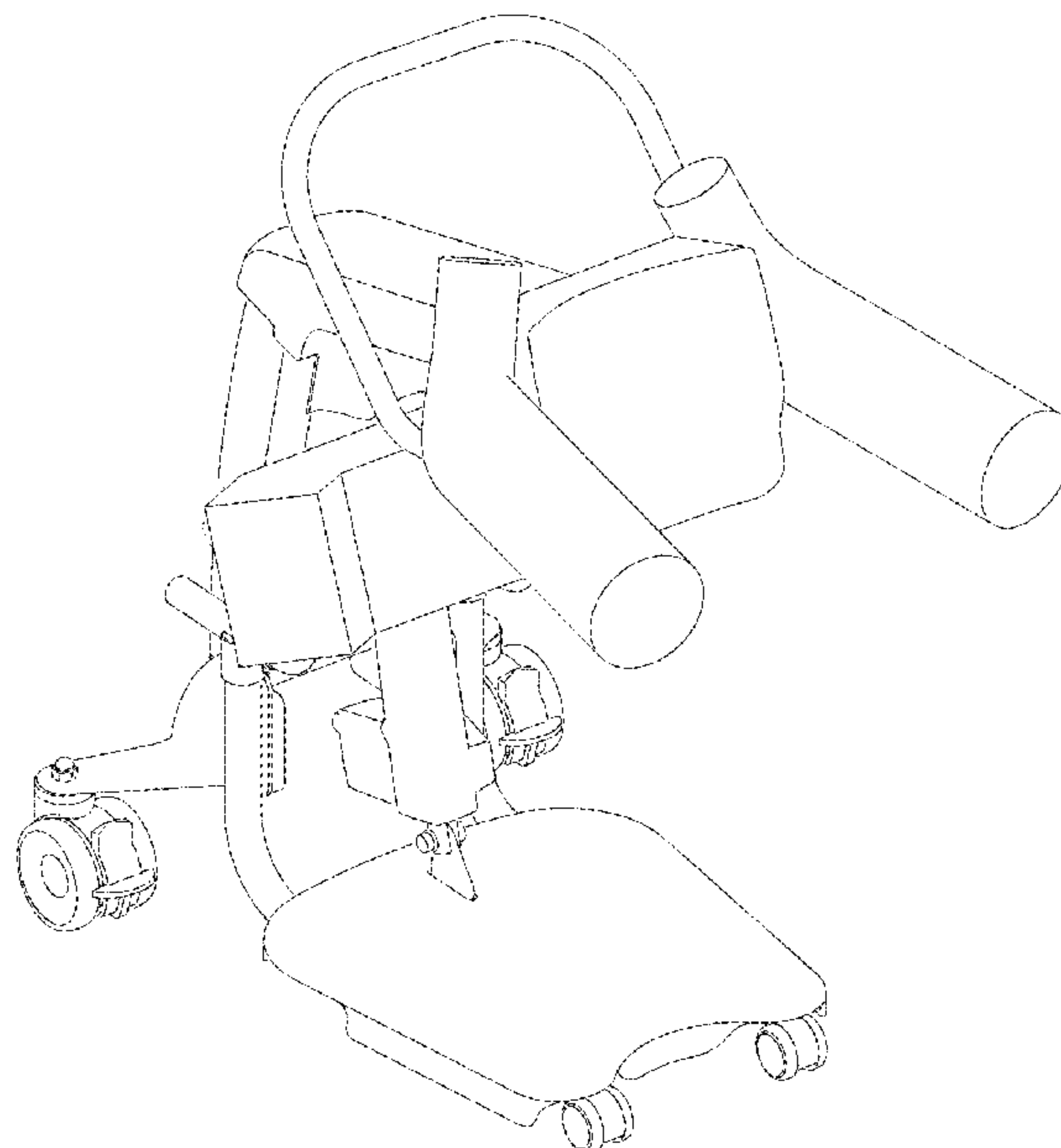
(57) **CLAIM**

The ornamental design for a transfer assistance machine, as shown and described.

DESCRIPTION

FIG. 1 is a front view of a transfer assistance machine showing our new design;
 FIG. 2 is a rear view thereof;
 FIG. 3 is a left side view thereof;
 FIG. 4 is a right side view thereof;
 FIG. 5 is a top view thereof;
 FIG. 6 is a bottom view thereof;
 FIG. 7 is a front, left side perspective view thereof;
 FIG. 8 is a rear, right side perspective view thereof;
 FIG. 9 is a right side view thereof with the holding part holding the body of the care receiver in a seating position; and,
 FIG. 10 is a right side view thereof with the holding part holding the body of the care receiver in a stand-up position. The broken lines are showing portions of the transfer assistance machine that form no part of the claimed design. The broken lines in FIGS. 9 and 10 showing a care receiver depict environment and form no part of the claimed design.

1 Claim, 10 Drawing Sheets



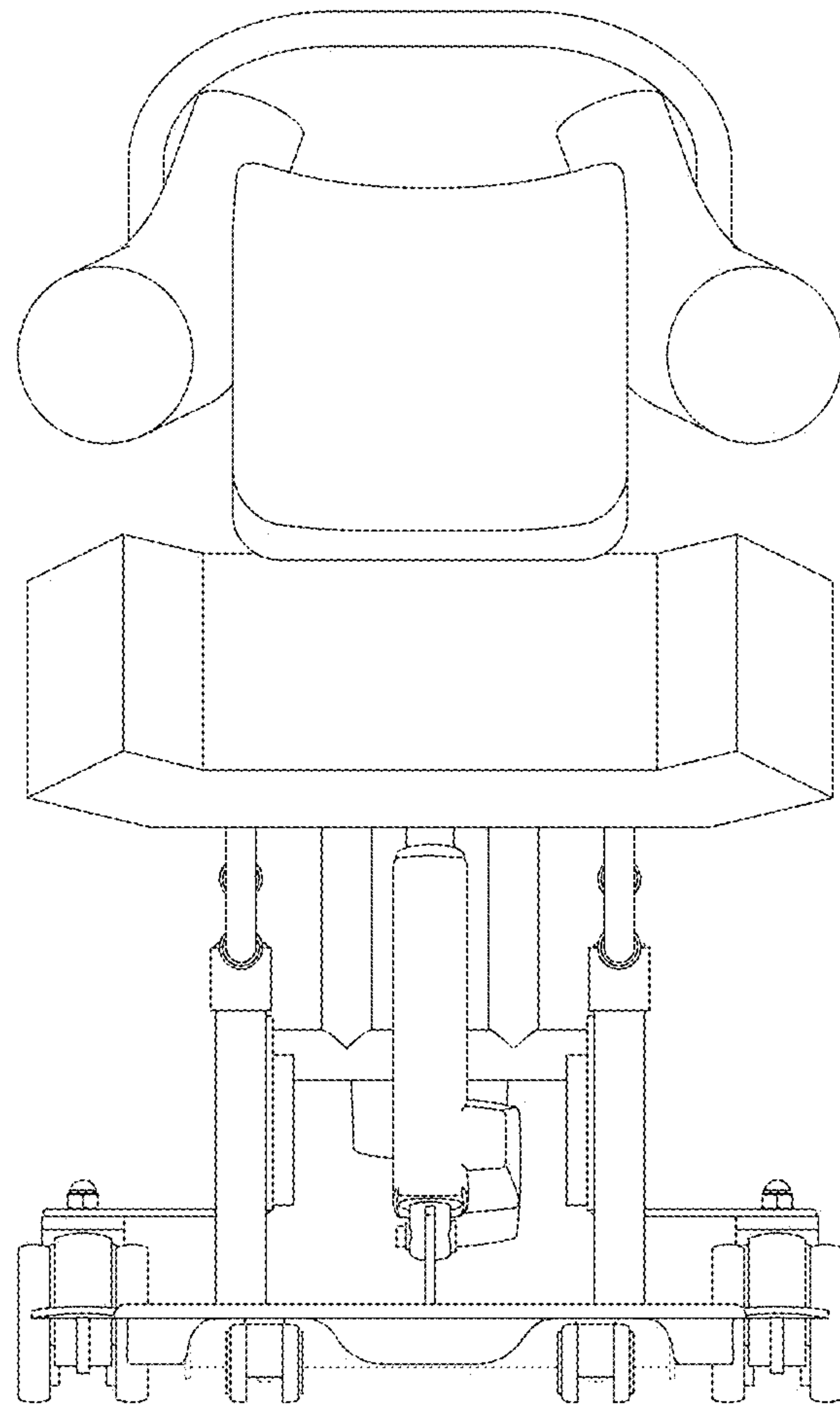


FIG. 1

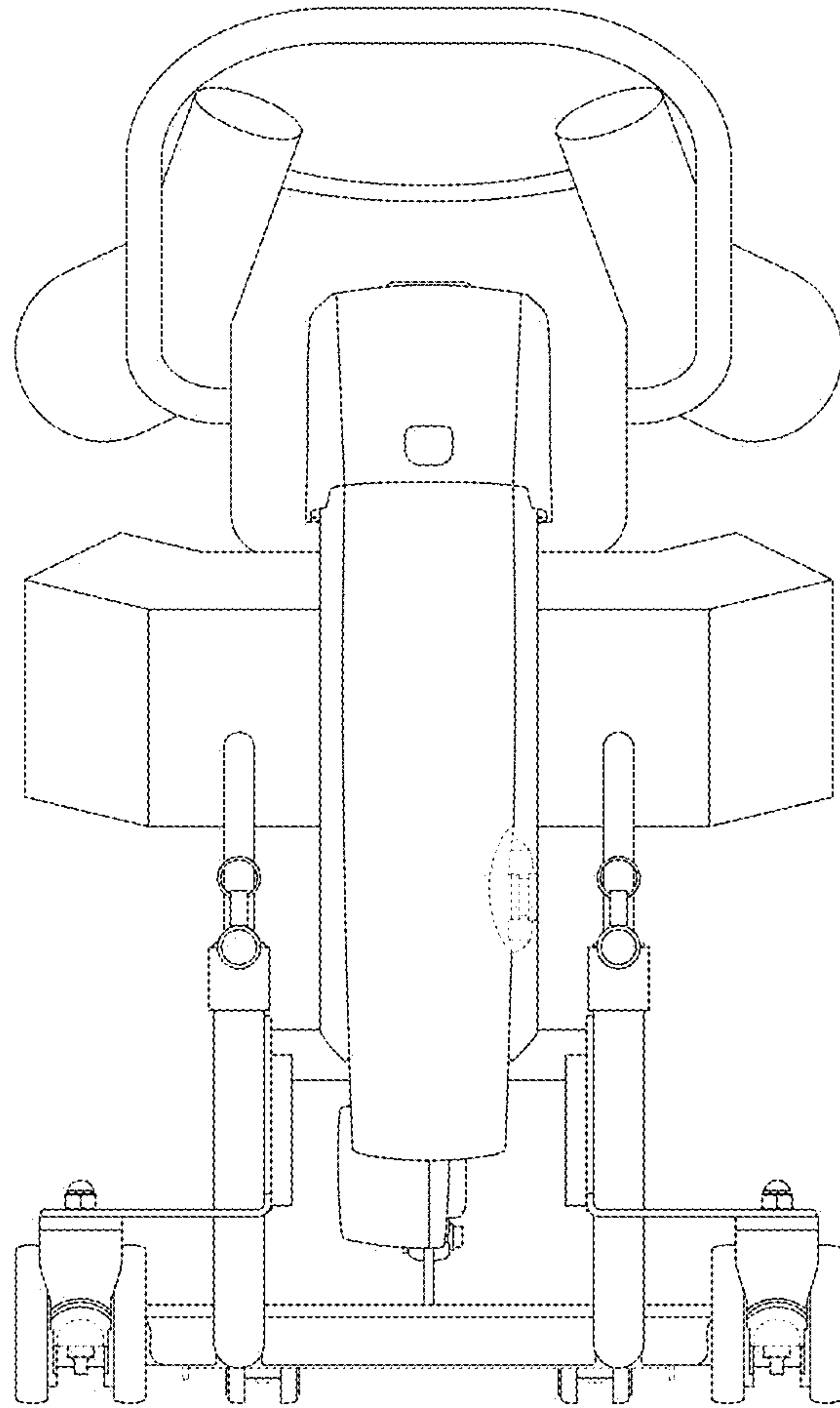


FIG. 2

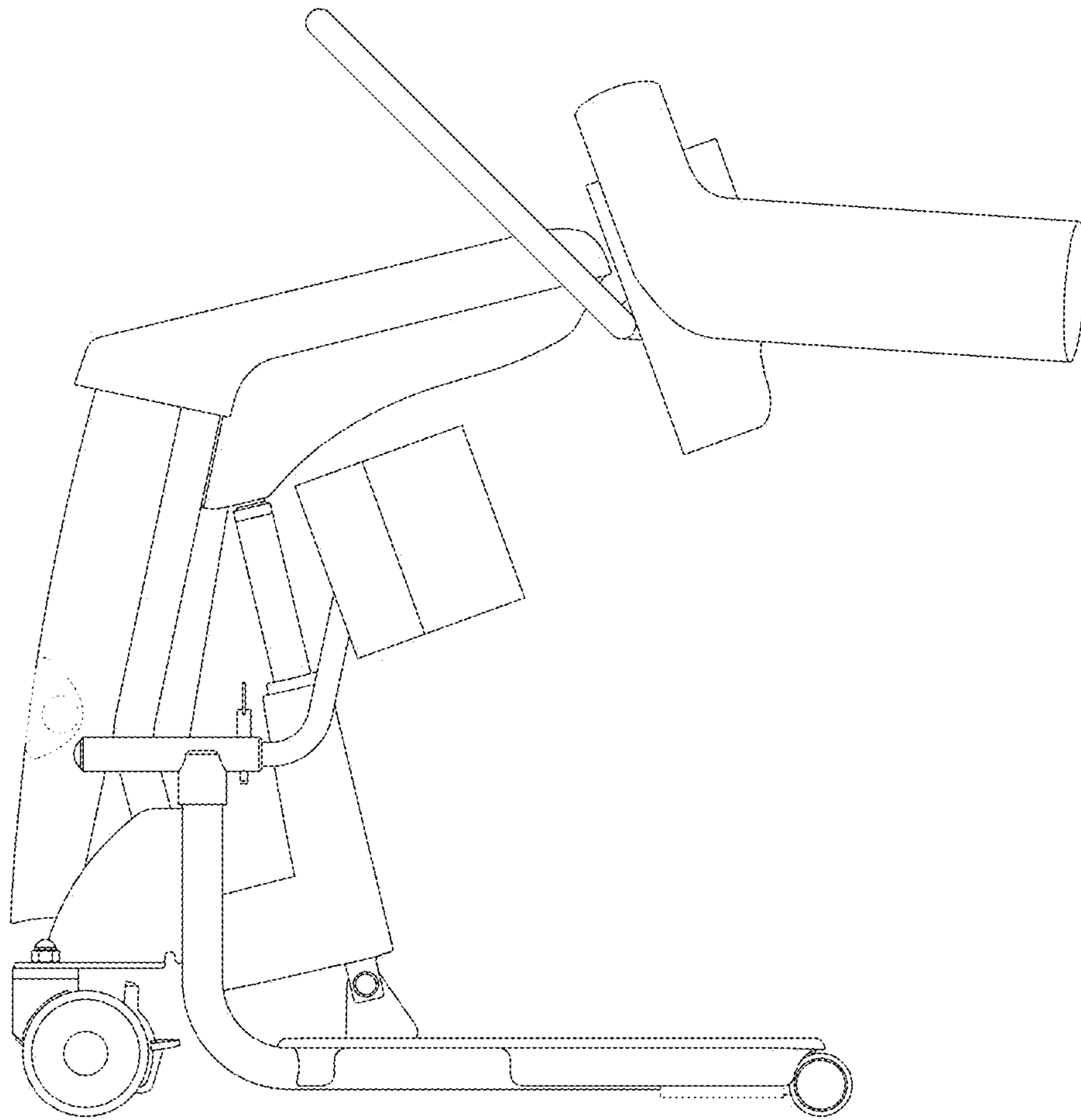


FIG. 3

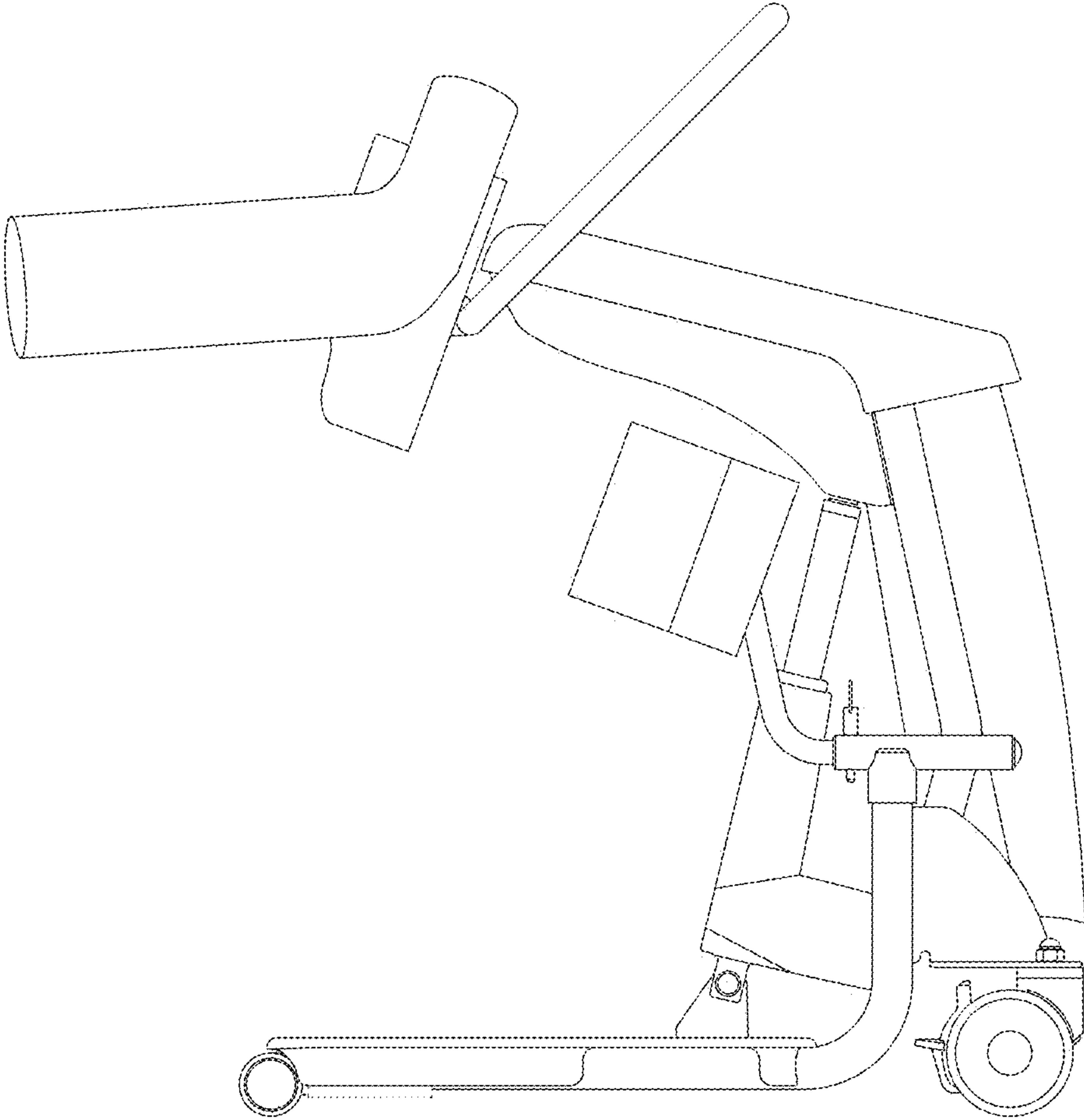


FIG. 4

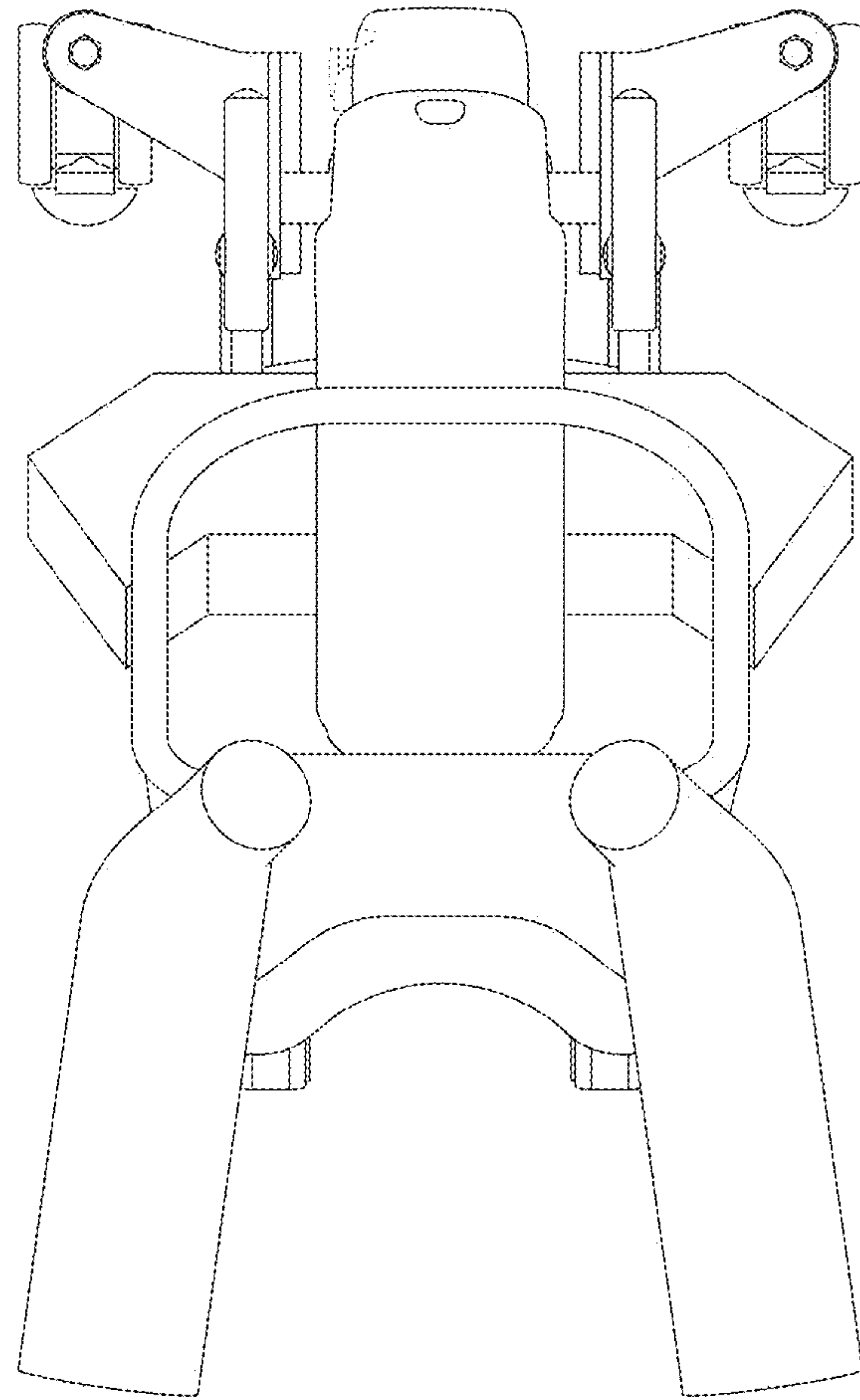


FIG. 5

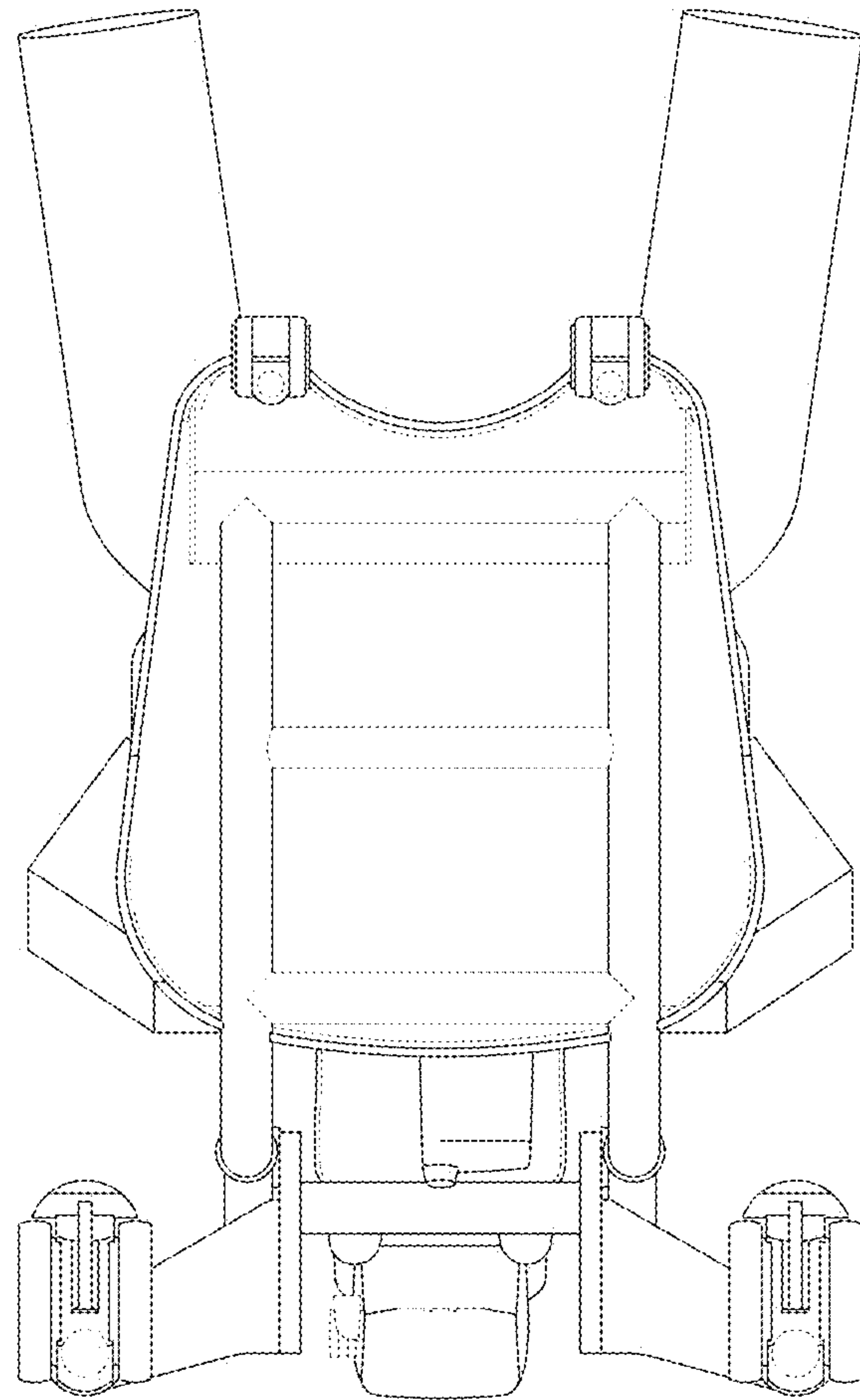


FIG. 6

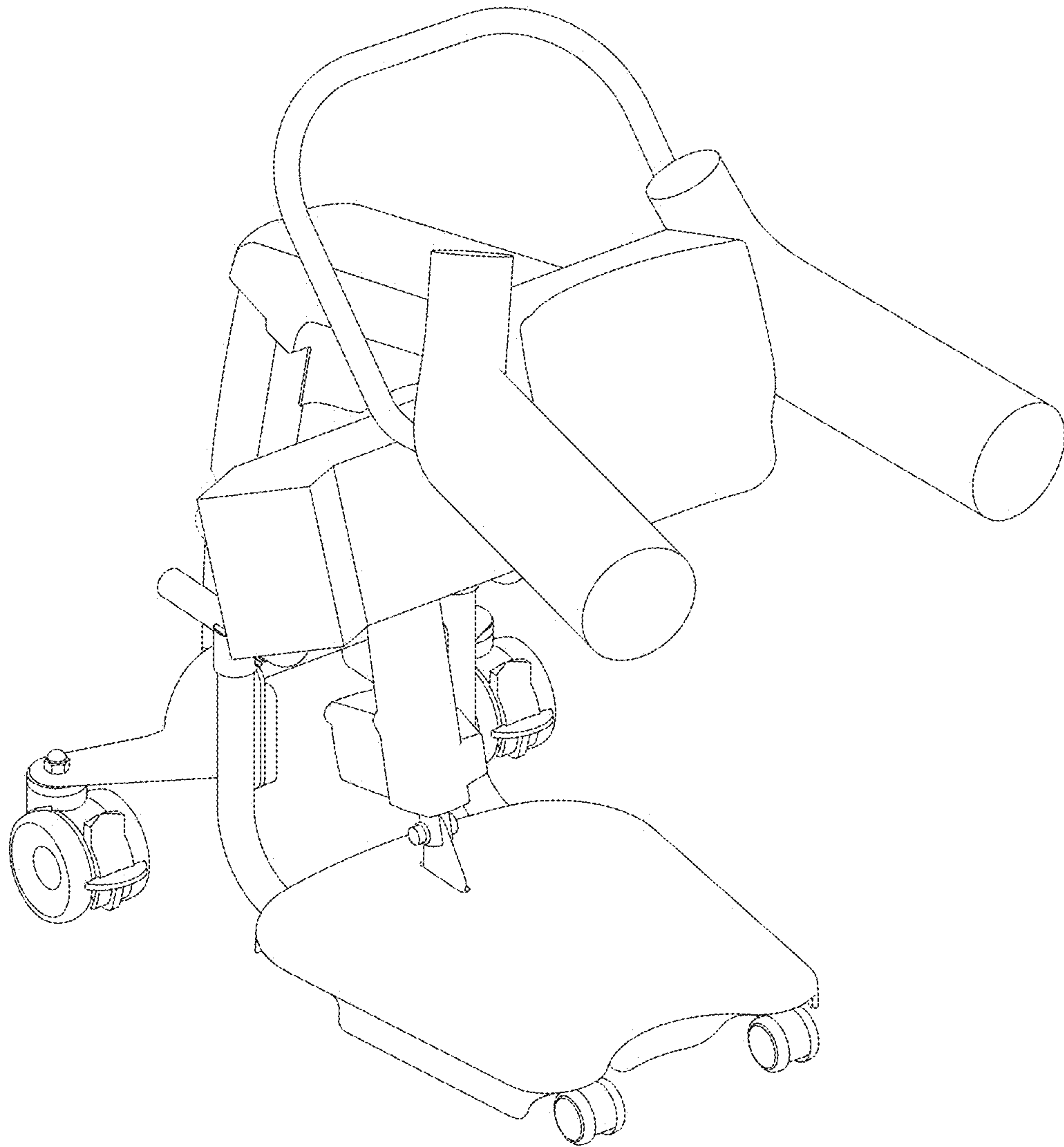


FIG. 7

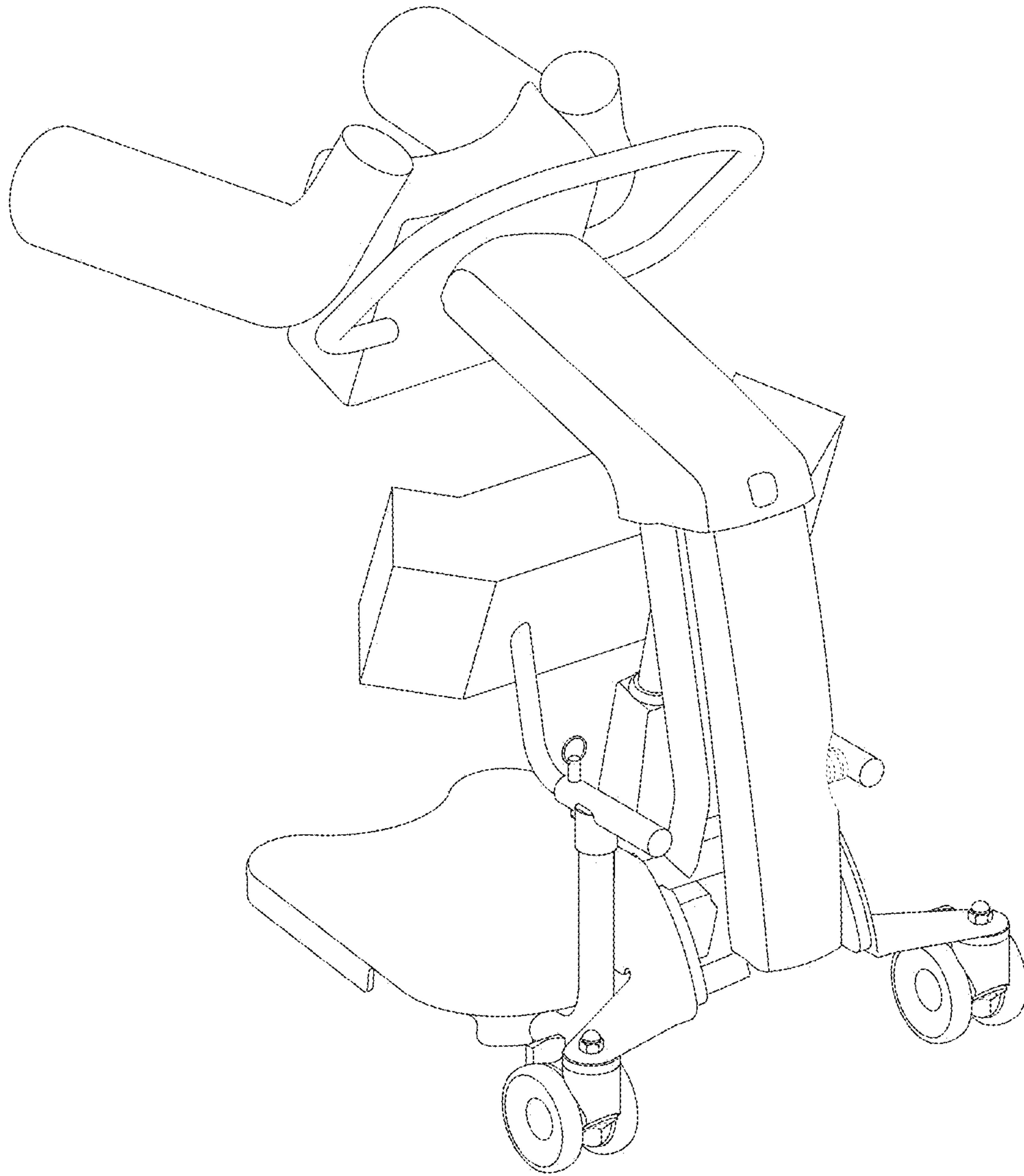


FIG. 8

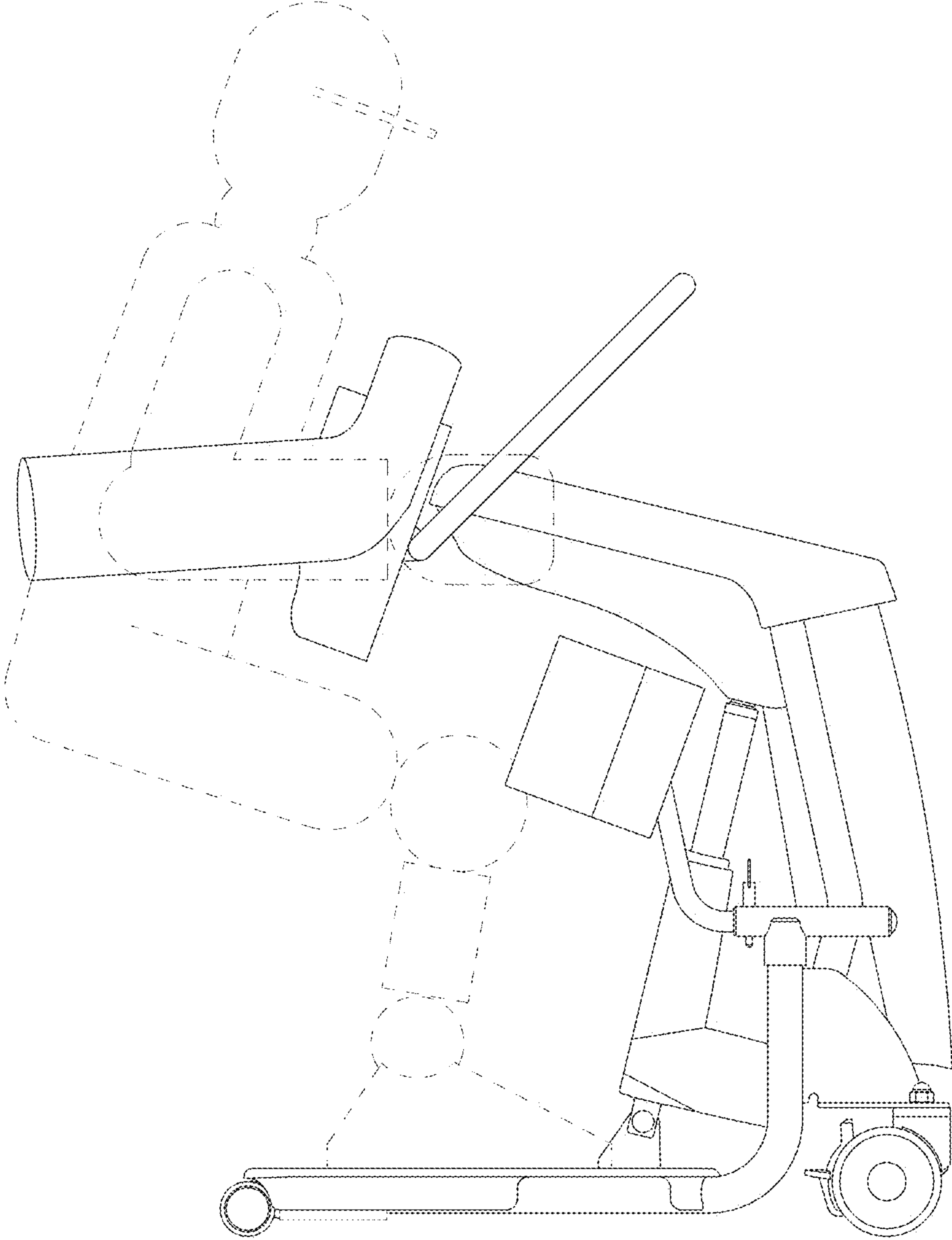


FIG. 9

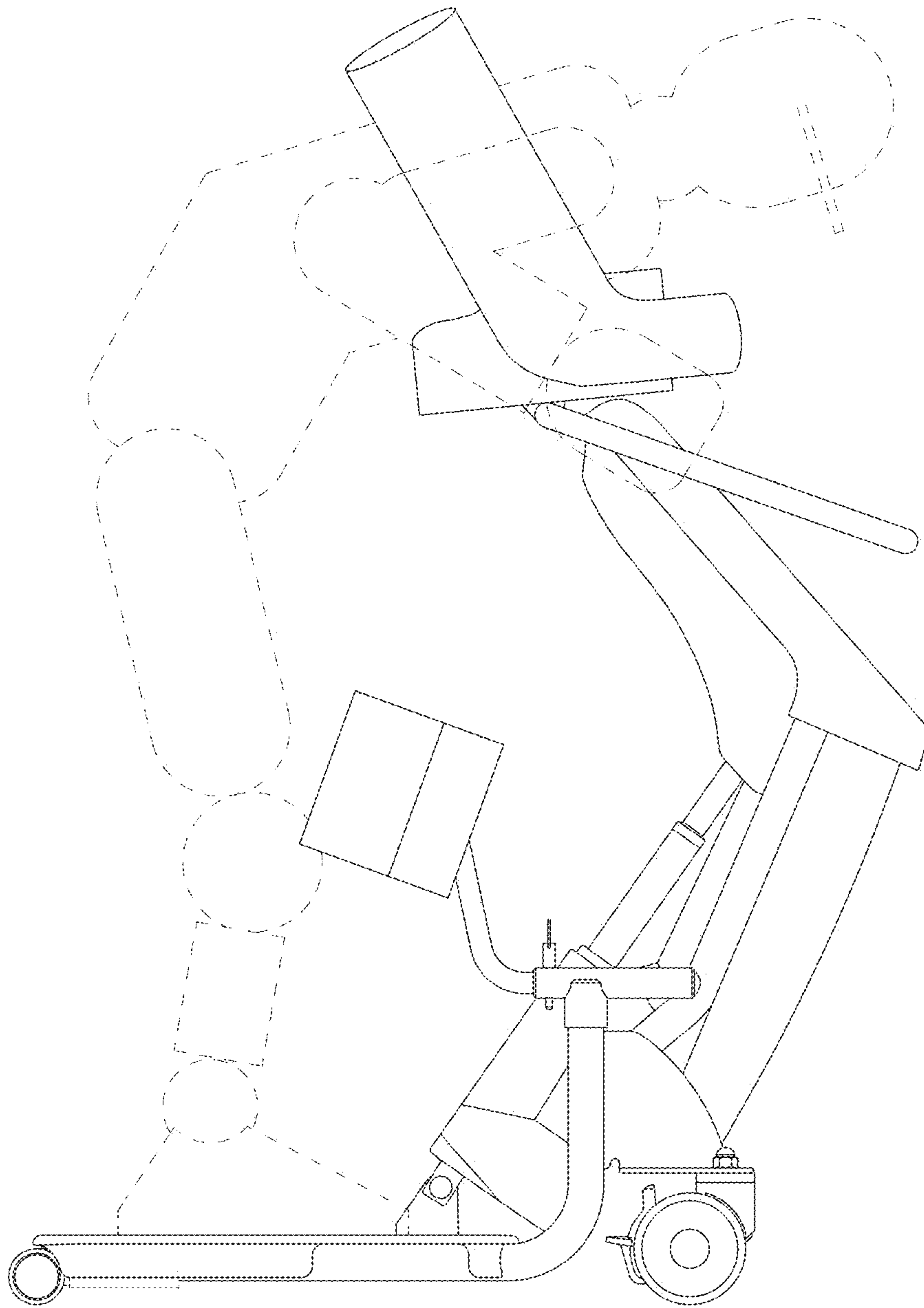


FIG. 10