



US00D933924S

(12) **United States Design Patent**
Wyse et al.

(10) **Patent No.:** **US D933,924 S**
(45) **Date of Patent:** **** Oct. 19, 2021**

(54) **MOVER CART**

(71) Applicant: **Granite Industries, Inc.**, Archbold, OH (US)

(72) Inventors: **Steven J. Wyse**, Archbold, OH (US);
Brent A. Johnston, West Unity, OH (US)

(73) Assignee: **Granite Industries, Inc.**, Archbold, OH (US)

(**) Term: **15 Years**

(21) Appl. No.: **29/761,654**

(22) Filed: **Dec. 10, 2020**

Related U.S. Application Data

(62) Division of application No. 29/717,063, filed on Dec. 13, 2019, now Pat. No. Des. 917,824.

(51) **LOC (13) Cl.** **12-02**

(52) **U.S. Cl.**
USPC **D34/23**

(58) **Field of Classification Search**
USPC D34/12-27; D3/313, 309
CPC .. B62B 1/002; B62B 1/14; B62B 3/00; B62B 3/02; B62B 3/04
See application file for complete search history.

(56) **References Cited**

U.S. PATENT DOCUMENTS

D423,174 S *	4/2000	Burr	D34/24
D453,602 S *	2/2002	Chang	D34/24
D644,395 S *	8/2011	Dechant	D34/26
D644,400 S *	8/2011	Wood	D34/26
D644,401 S *	8/2011	Dechant	D34/26
D661,860 S *	6/2012	Ryan	D34/26
D667,193 S *	9/2012	Ryan	D34/26
D667,194 S *	9/2012	Ryan	D34/26

D677,034 S *	2/2013	Chang	D34/24
9,643,631 B2 *	5/2017	Berlinger	B62B 1/14
D917,824 S *	4/2021	Wyse	D34/27
2018/0346009 A1 *	12/2018	Mendoza	B62B 1/12
2020/0023873 A1 *	1/2020	Chartier	B62B 1/14
2020/0369306 A1 *	11/2020	West, Jr.	B62B 1/12

OTHER PUBLICATIONS

Granite Truck, announced 2020 [online], [site visited Jun. 11, 2021]. Available from internet, URL: <https://store.graniteind.com/product/granite-industries-block-and-roll-hand-truck> (Year: 2020).*

* cited by examiner

Primary Examiner — George A Bugg

Assistant Examiner — Tamara L Hahn

(74) *Attorney, Agent, or Firm* — Hovey Williams LLP

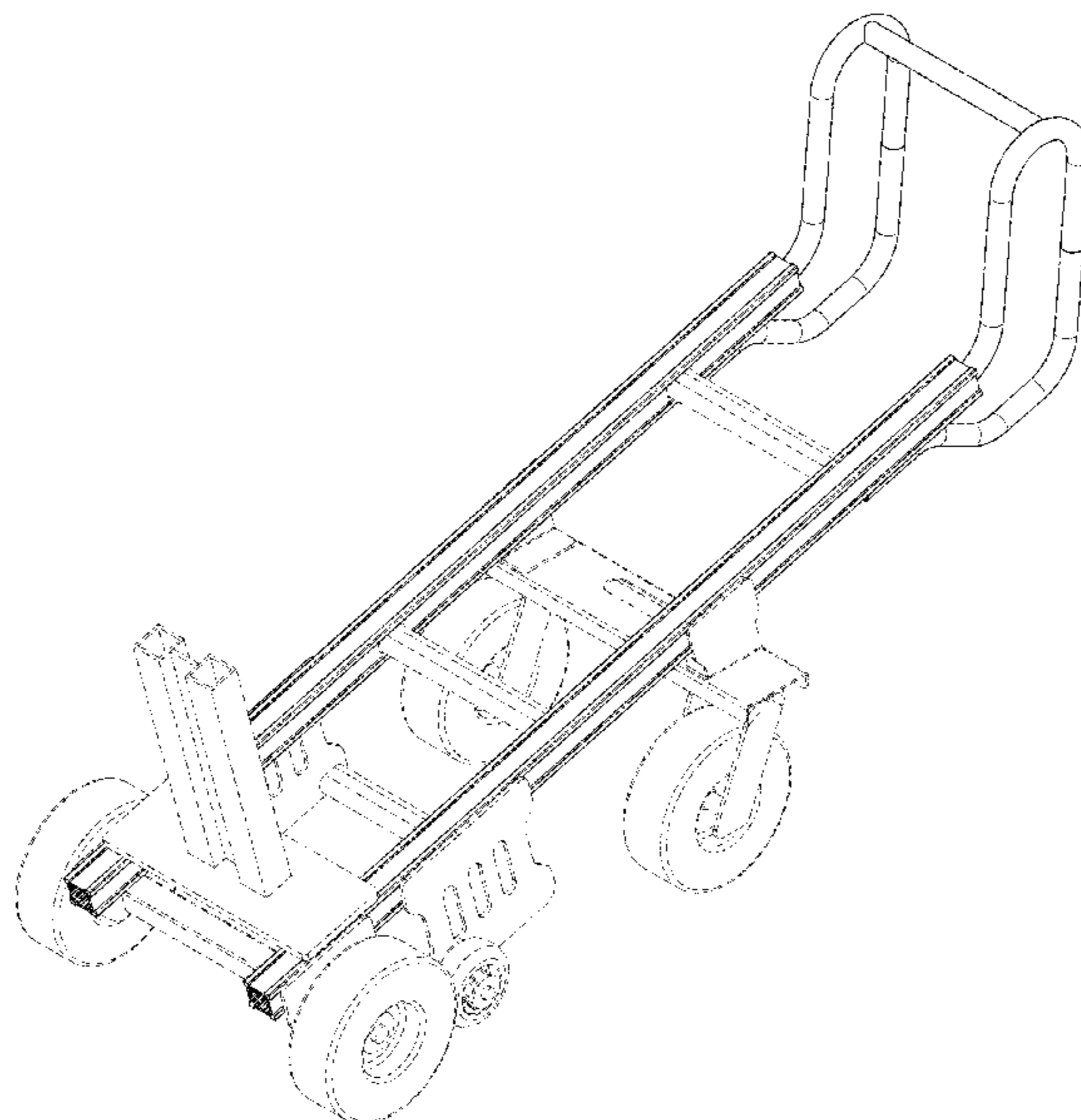
(57) **CLAIM**

The ornamental design for a mover cart, as shown and described.

DESCRIPTION

FIG. 1 is a front perspective view of a mover cart embodying our design;
FIG. 2 is a rear perspective view of the mover cart as depicted in FIG. 1;
FIG. 3 is a side elevation view of the mover cart as shown in FIGS. 1 and 2, with the opposite side elevation view being a mirror image thereof;
FIG. 4 is a top plan view of the mover cart as depicted in FIGS. 1-3;
FIG. 5 is a front elevation view of the mover cart as shown in FIGS. 1-4; and,
FIG. 6 is a rear elevation view of the mover cart as shown in FIGS. 1-5.
The broken lines in the drawings depict portions of the mover cart that form no part of the claimed design.

1 Claim, 6 Drawing Sheets



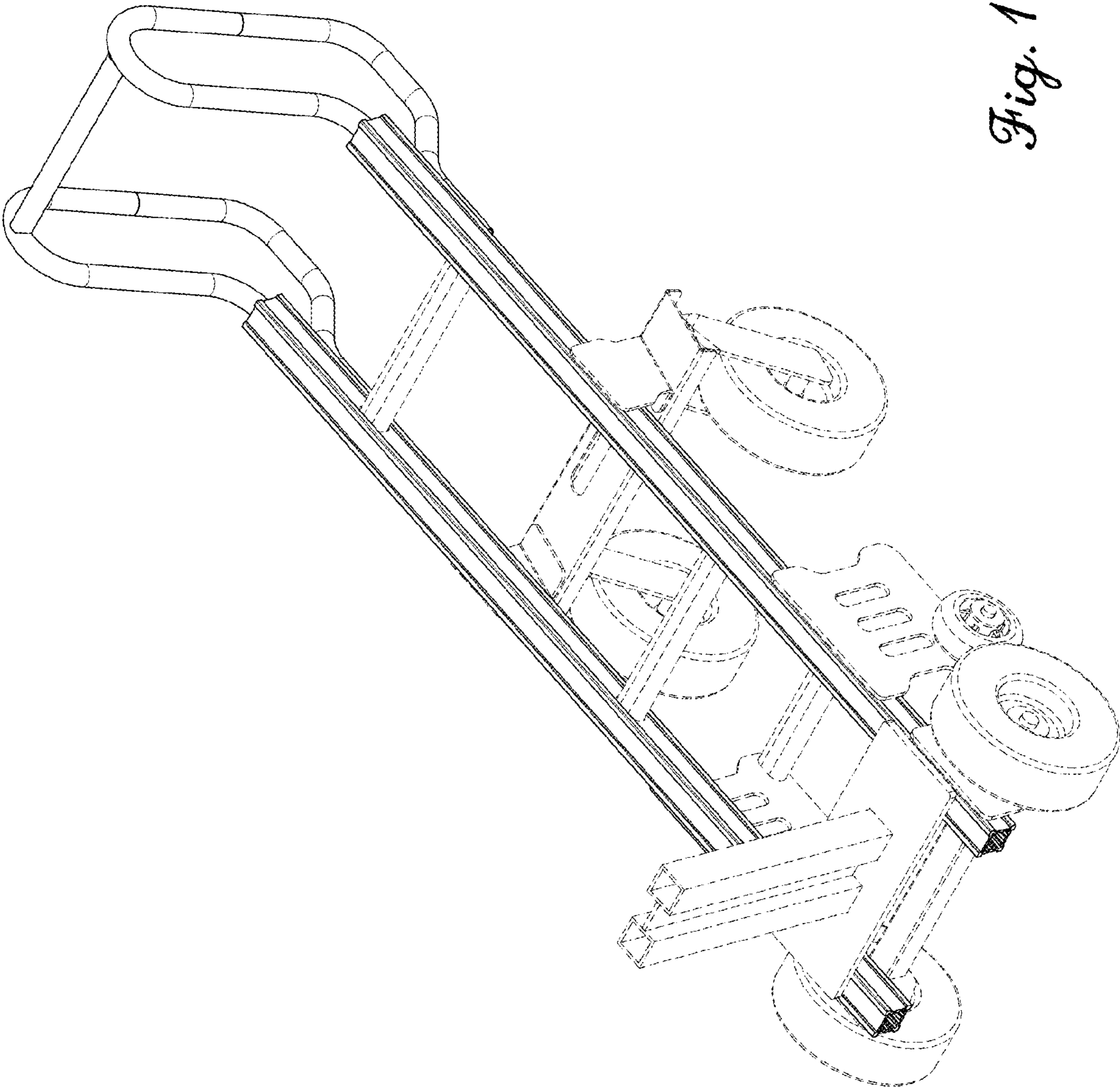


Fig. 1.

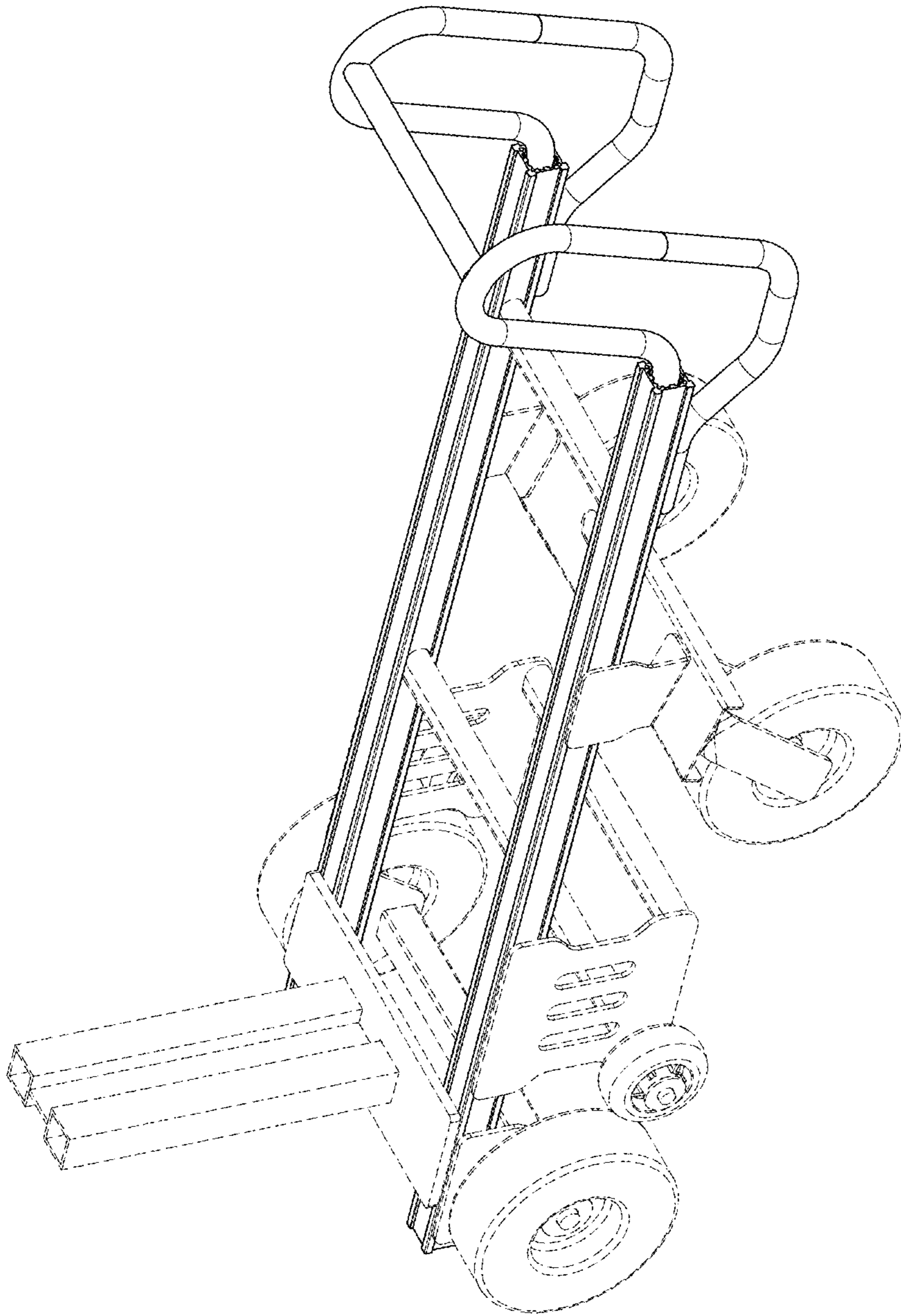


Fig. 2.

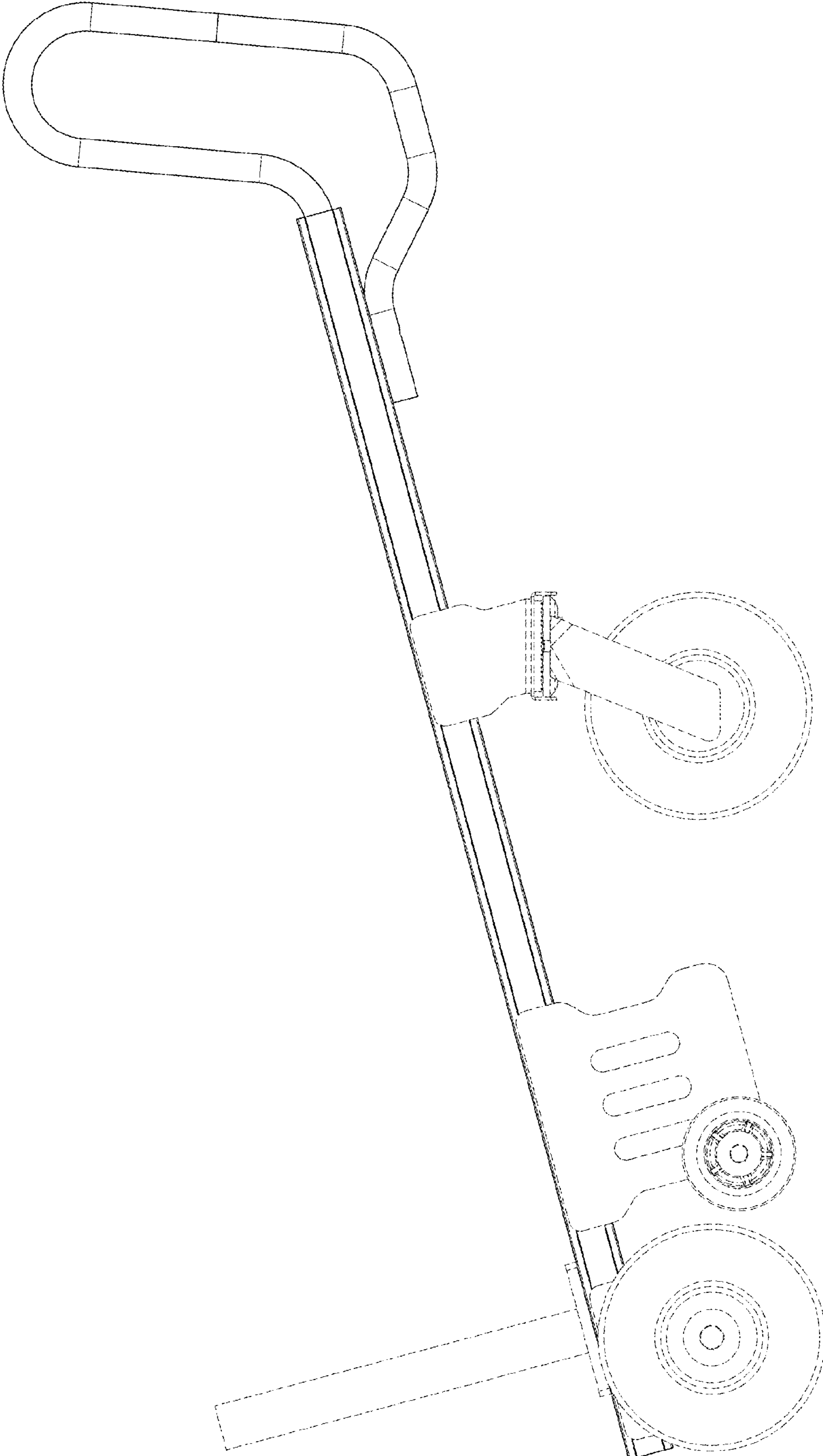


Fig. 3.

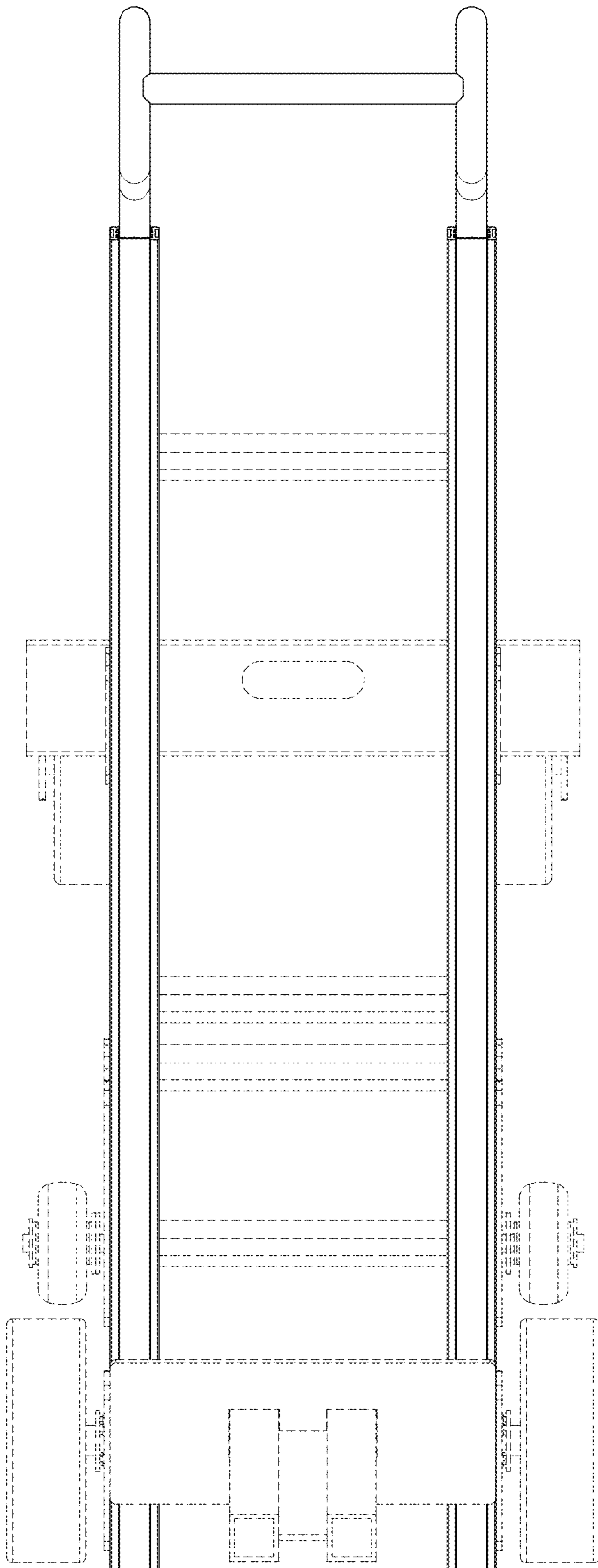


Fig. 4.

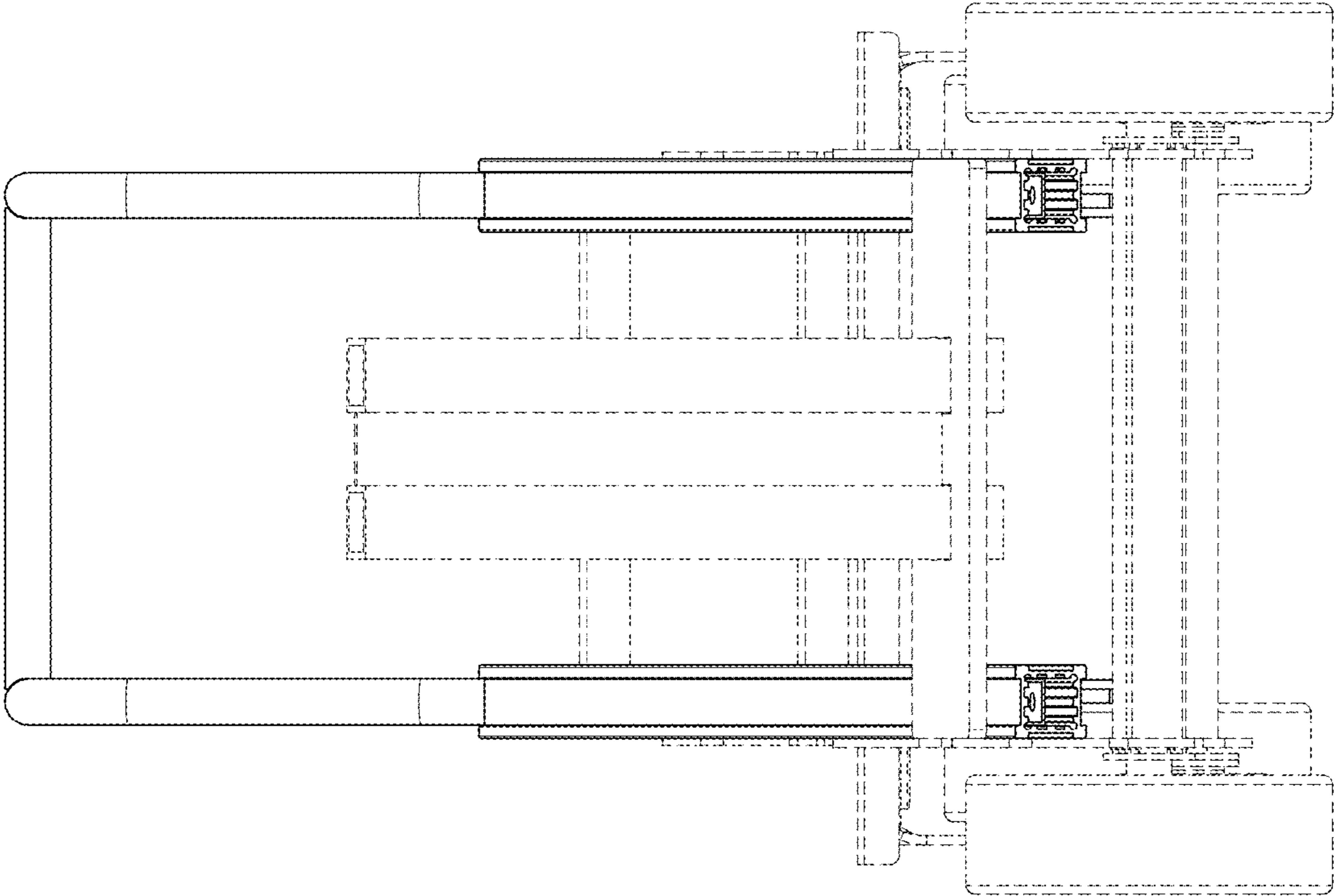


Fig. 5.

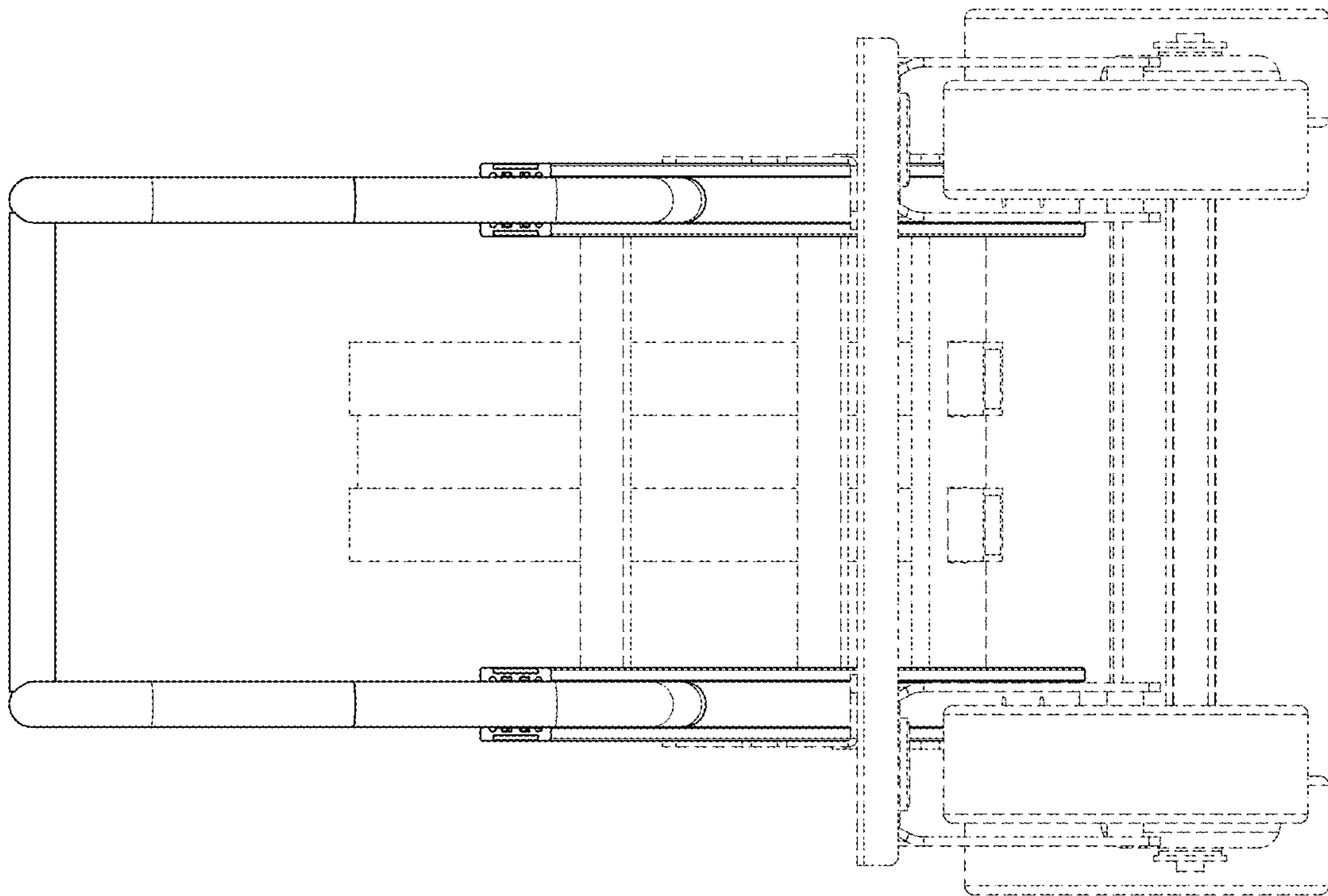


Fig. 6.