



US00D933923S

(12) **United States Design Patent** (10) **Patent No.:** **US D933,923 S**
Singer (45) **Date of Patent:** **** Oct. 19, 2021**

(54) **TROLLEY**
(71) Applicant: **Barry Singer**, Singapore (SG)
(72) Inventor: **Barry Singer**, Singapore (SG)
(73) Assignee: **Comfortel Furniture Pte. Ltd.**,
Singapore (SG)
(**) Term: **15 Years**
(21) Appl. No.: **29/651,326**
(22) Filed: **Apr. 27, 2018**

D319,308 S * 8/1991 Royse D24/185
D323,915 S * 2/1992 Welch D34/20
D324,284 S * 2/1992 Welch D34/17
D325,482 S * 4/1992 Schwartz D24/185
D332,855 S * 1/1993 Royse D24/185
D341,914 S * 11/1993 Reiner D34/19
D349,594 S * 8/1994 Bonazza D34/19
5,634,649 A * 6/1997 Breining B25H 1/04
280/47.35
D381,166 S * 7/1997 Bonazza D34/19
5,673,983 A * 10/1997 Carlson A47B 67/04
312/218
D389,917 S * 1/1998 Hornback D24/185
D398,727 S * 9/1998 Maddux D34/19
5,875,904 A * 3/1999 Vorstenbosch B62B 3/002
211/180

(30) **Foreign Application Priority Data**

Apr. 27, 2018 (AU) 201716528

(51) **LOC (13) Cl.** **12-02**

(52) **U.S. Cl.**
USPC **D34/19**

(58) **Field of Classification Search**

USPC 180/20; 280/33.991, 33.992, 33.995,
280/33.996, 33.997, 47.35, 79.2, 79.3,
280/647, 651; D12/129; D34/12, 14, 16,
D34/17, 19, 20, 21, 23, 24, 25, 27
CPC B62B 3/02; B62B 3/1416; B62B 3/1468;
B62B 3/027; B62B 3/00; B62B 3/003;
B62B 3/005
See application file for complete search history.

(56) **References Cited**

U.S. PATENT DOCUMENTS

D70,500 S * 7/1926 Fain D34/20
D115,352 S * 6/1939 Scudder 280/47.35
D158,876 S * 6/1950 Lowell 280/47.35
2,981,549 A * 4/1961 Hotton A47B 31/00
280/47.35
D275,044 S * 8/1984 Hampshire D34/21
4,875,696 A * 10/1989 Welch B60B 33/02
280/47.34
D305,822 S * 1/1990 Kolvites D34/19

(Continued)

Primary Examiner — Cynthia Ramirez

Assistant Examiner — Michael A Maharajh

(74) *Attorney, Agent, or Firm* — Skinner and Associates;
Joel D. Skinner, Jr.

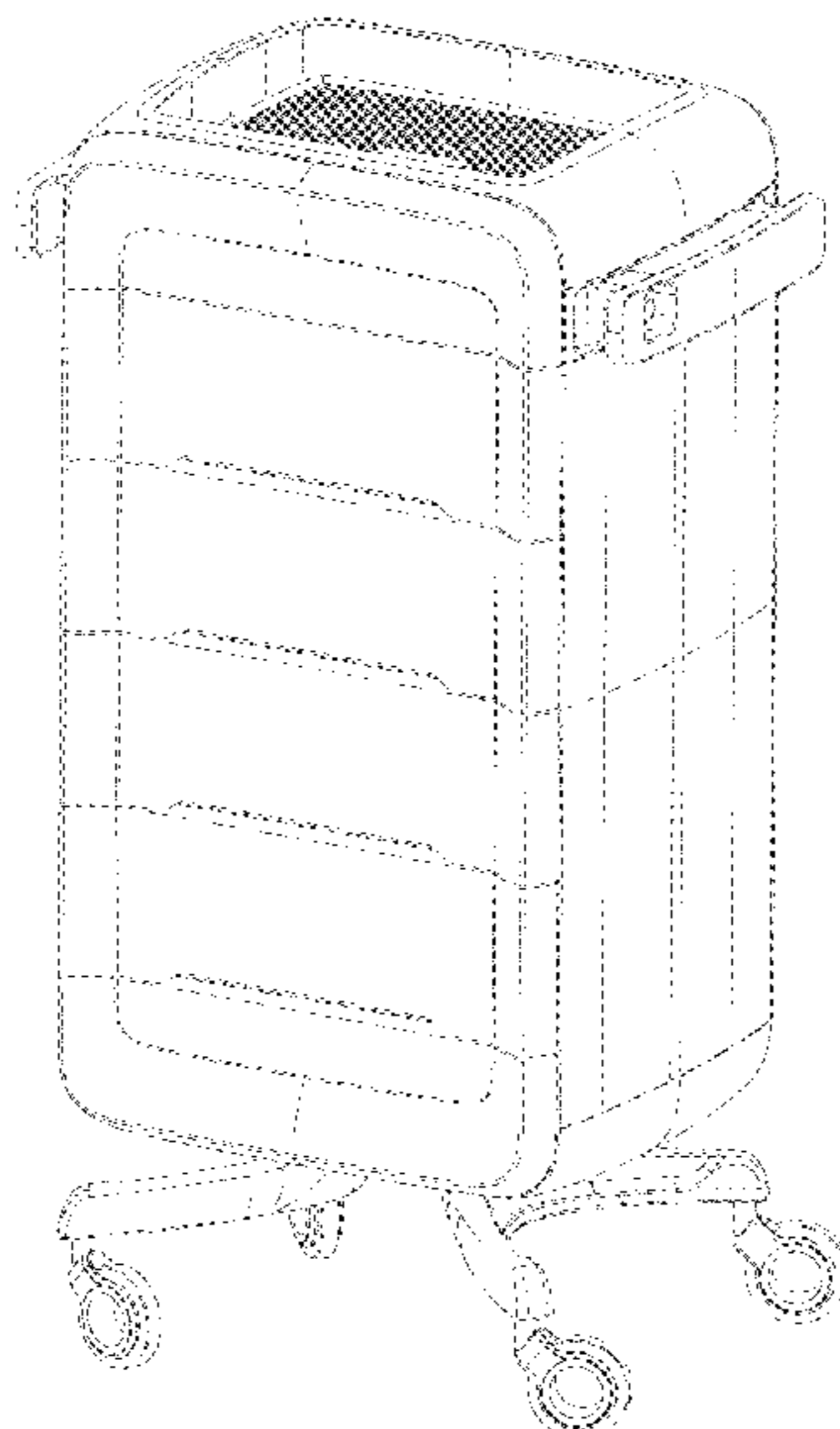
(57) **CLAIM**

The ornamental design for a trolley, as shown and described.

DESCRIPTION

FIG. 1 is a front perspective view trolley, showing my new design;
FIG. 2 is a rear perspective thereof;
FIG. 3 is a front view thereof;
FIG. 4 is a rear view thereof;
FIG. 5 is a top view thereof;
FIG. 6 is a bottom view thereof; and,
FIG. 7 is a side view, the opposite side being a mirror image thereof.
The broken lines shown in the drawing are for purposes of illustrating portions of the trolley, which form no part of the claimed design.

1 Claim, 7 Drawing Sheets



(56)

References Cited

U.S. PATENT DOCUMENTS

D418,959 S *	1/2000	Tisbo	D34/19	2011/0233882 A1 *	9/2011	Belanger	B62B 3/003
D440,369 S *	4/2001	LaFollette, Jr.	D34/19					280/47.35
6,742,792 B1 *	6/2004	Hooper	B62B 3/002	2011/0248458 A1 *	10/2011	Belanger	B29C 65/483
				150/154					280/47.35
6,953,199 B2 *	10/2005	Malloy, III	B65F 1/1468	2013/0181419 A1 *	7/2013	Benning	B62B 3/005
				220/629					280/79.2
D556,416 S *	11/2007	Zorzo	D34/14	2013/0200584 A1 *	8/2013	Guasta	B62B 3/005
D559,496 S *	1/2008	Zorzo	D34/14					280/79.2
D631,631 S *	1/2011	Okorie	D34/19	2013/0313029 A1 *	11/2013	Franco	B60K 7/0007
D637,373 S *	5/2011	Benning	D34/19					180/65.1
7,954,830 B2 *	6/2011	Begin	B62B 3/04	2014/0021690 A1 *	1/2014	Burd	B62B 3/003
				280/47.35					280/47.35
D653,010 S *	1/2012	Shen	D34/19	2014/0049014 A1 *	2/2014	Schumacher	B62B 3/005
2002/0153706 A1 *	10/2002	Yonge	A47F 5/10					280/47.35
				280/651	2014/0110912 A1 *	4/2014	Primiano	B65D 81/3806
2003/0218307 A1 *	11/2003	Anderson	B62B 3/006					280/79.2
				280/79.2	2015/0102573 A1 *	4/2015	Hillaert	B60B 33/0028
2005/0062246 A1 *	3/2005	Kang	A47B 31/00					280/79.2
				280/47.35	2015/0191192 A1 *	7/2015	Savage	B62B 3/108
2008/0277906 A1 *	11/2008	Dunne	B62B 3/02					280/47.35
				280/659	2016/0015455 A1 *	1/2016	Wu	A61B 50/13
									280/79.3
					2018/0297706 A1 *	10/2018	Beets	B64D 11/04
					2019/0062047 A1 *	2/2019	Spille	B62B 3/003

* cited by examiner

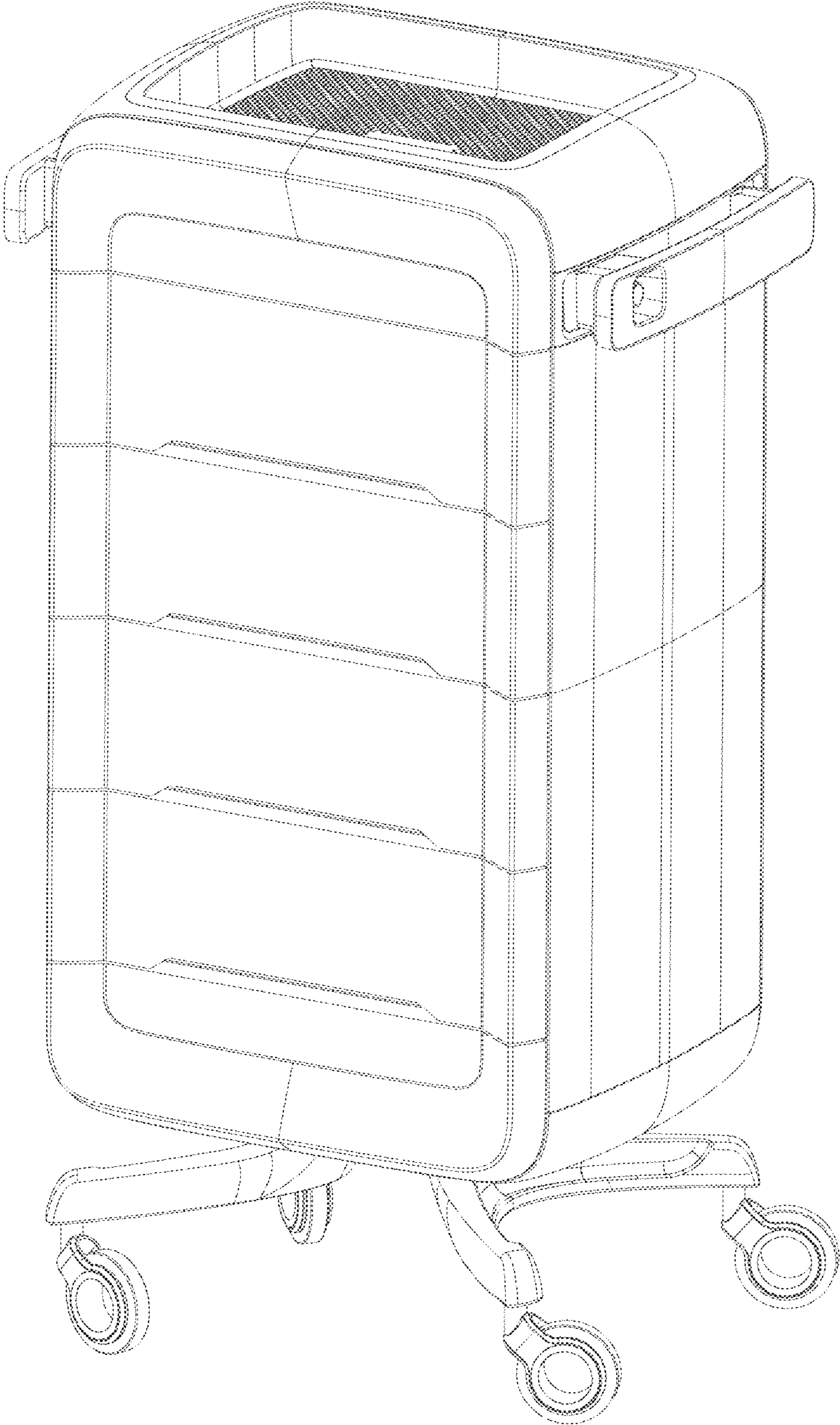


FIG. 1

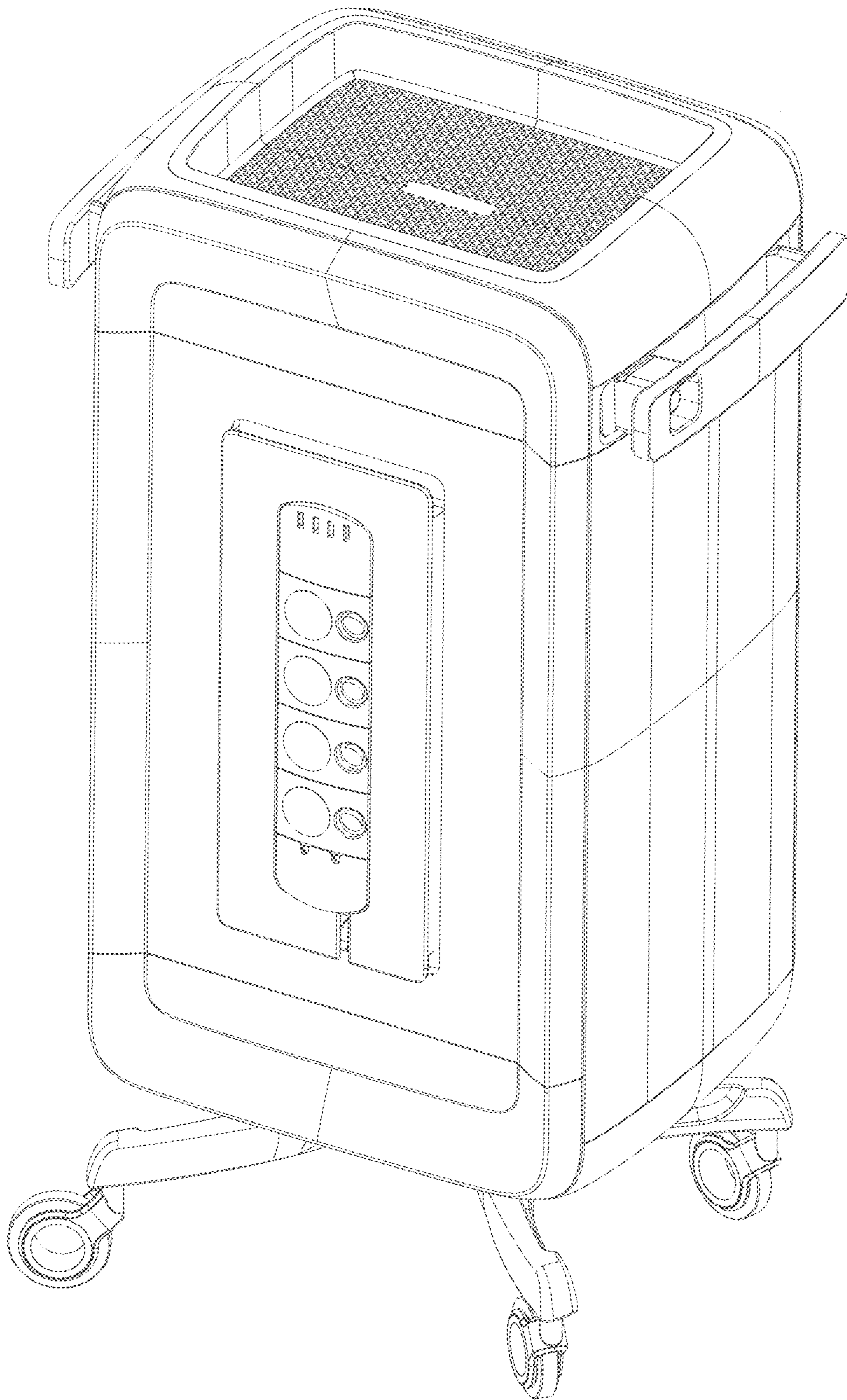


FIG. 2

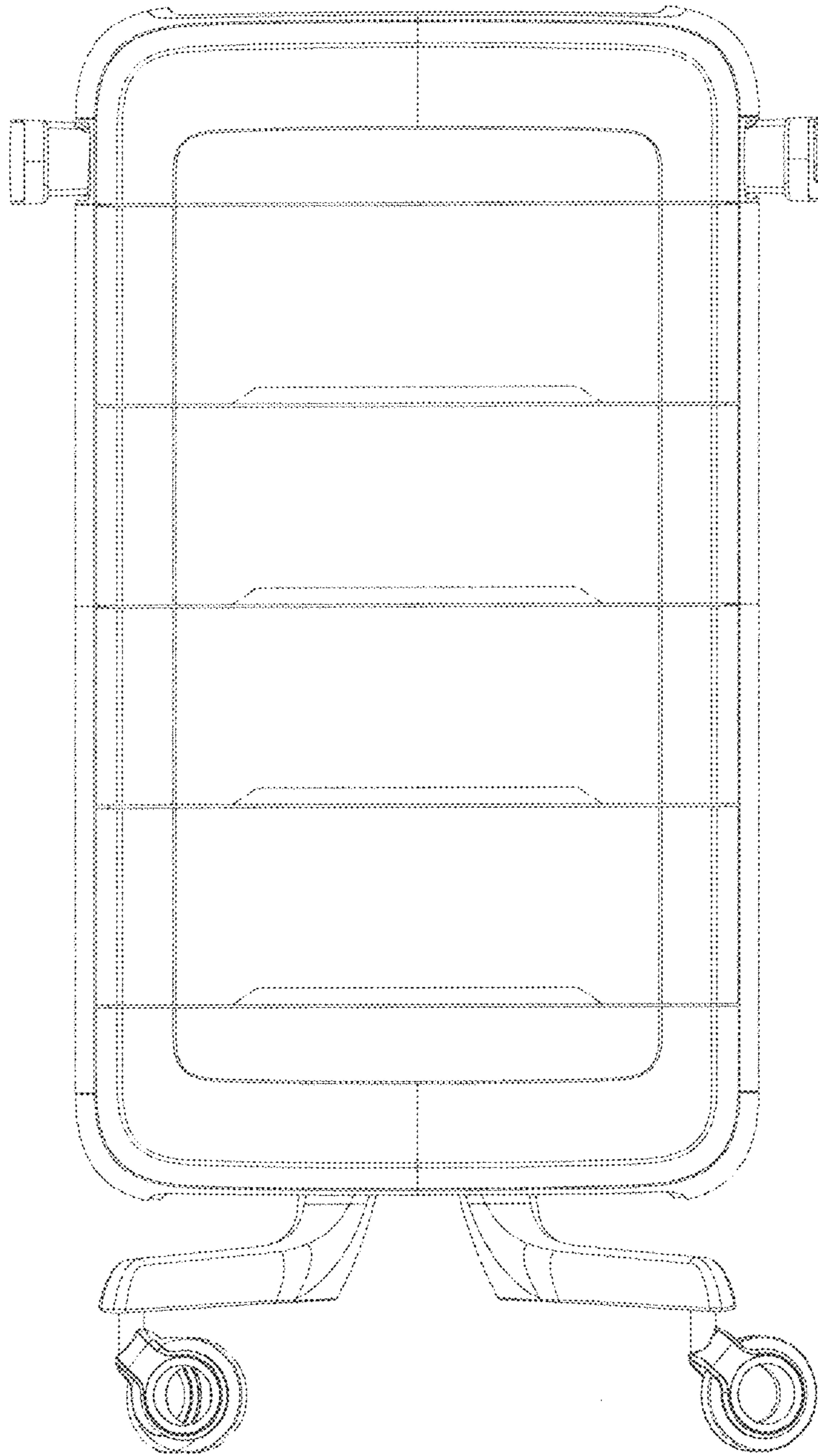


FIG. 3

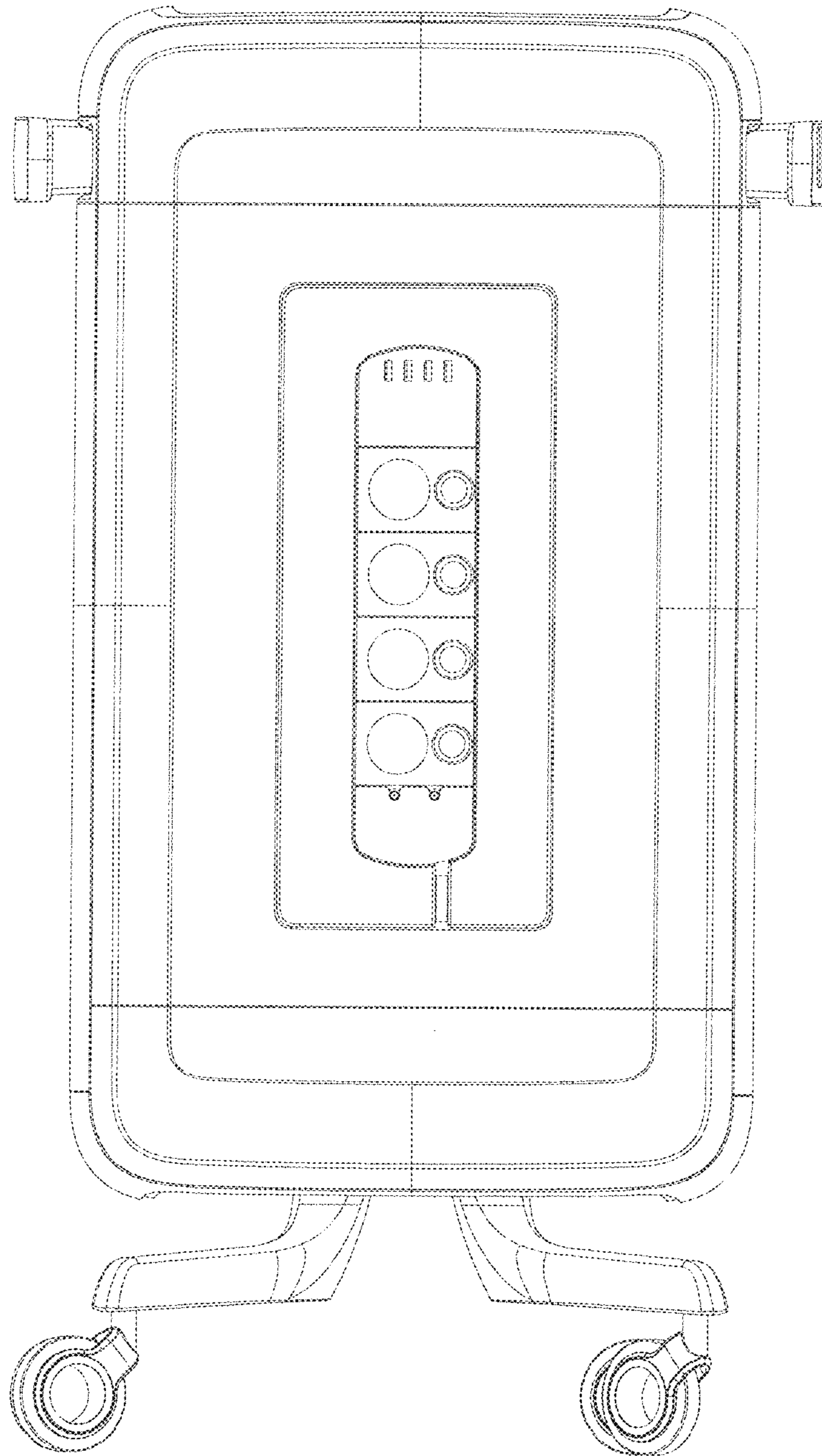


FIG. 4

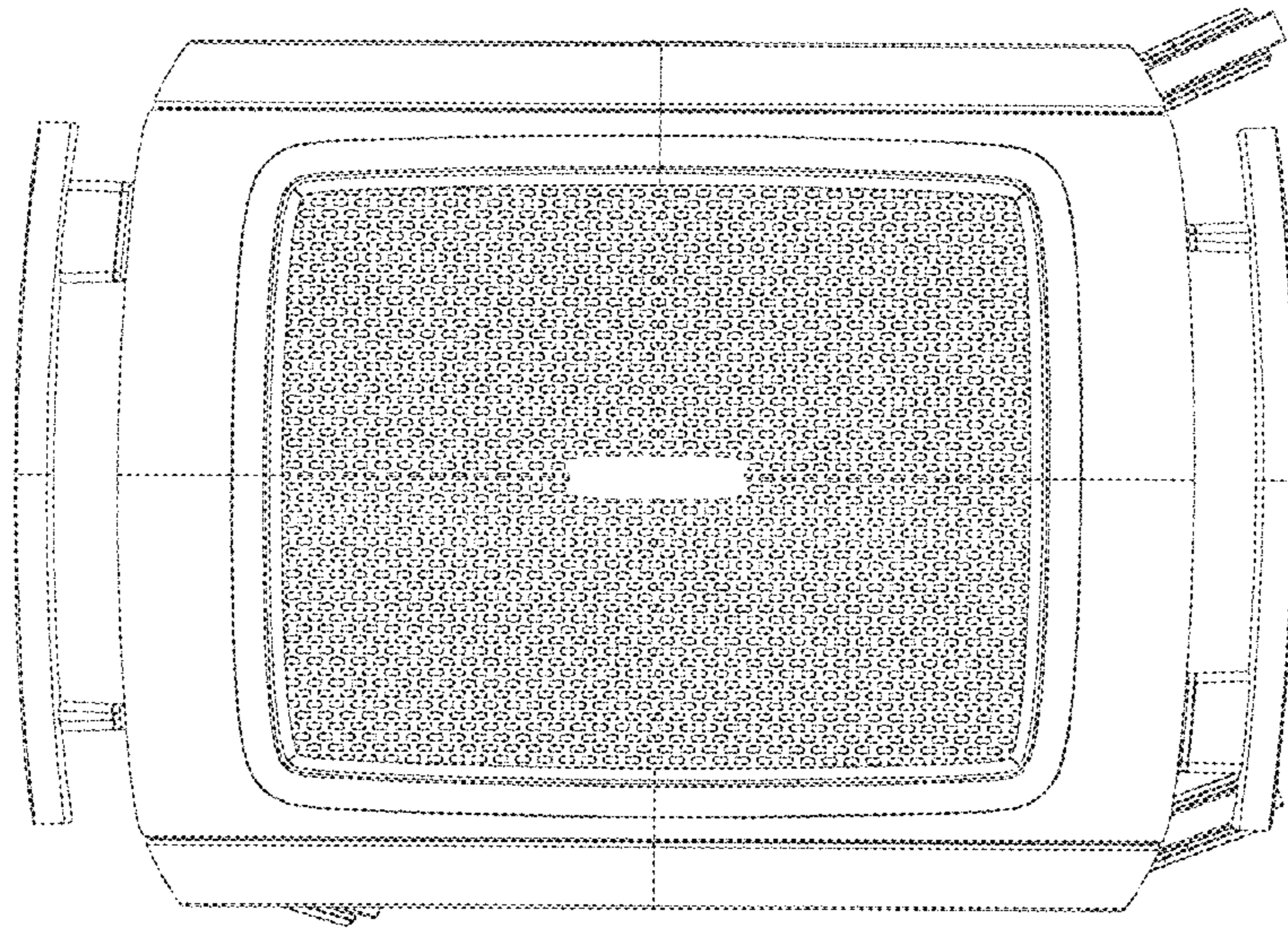


FIG. 5

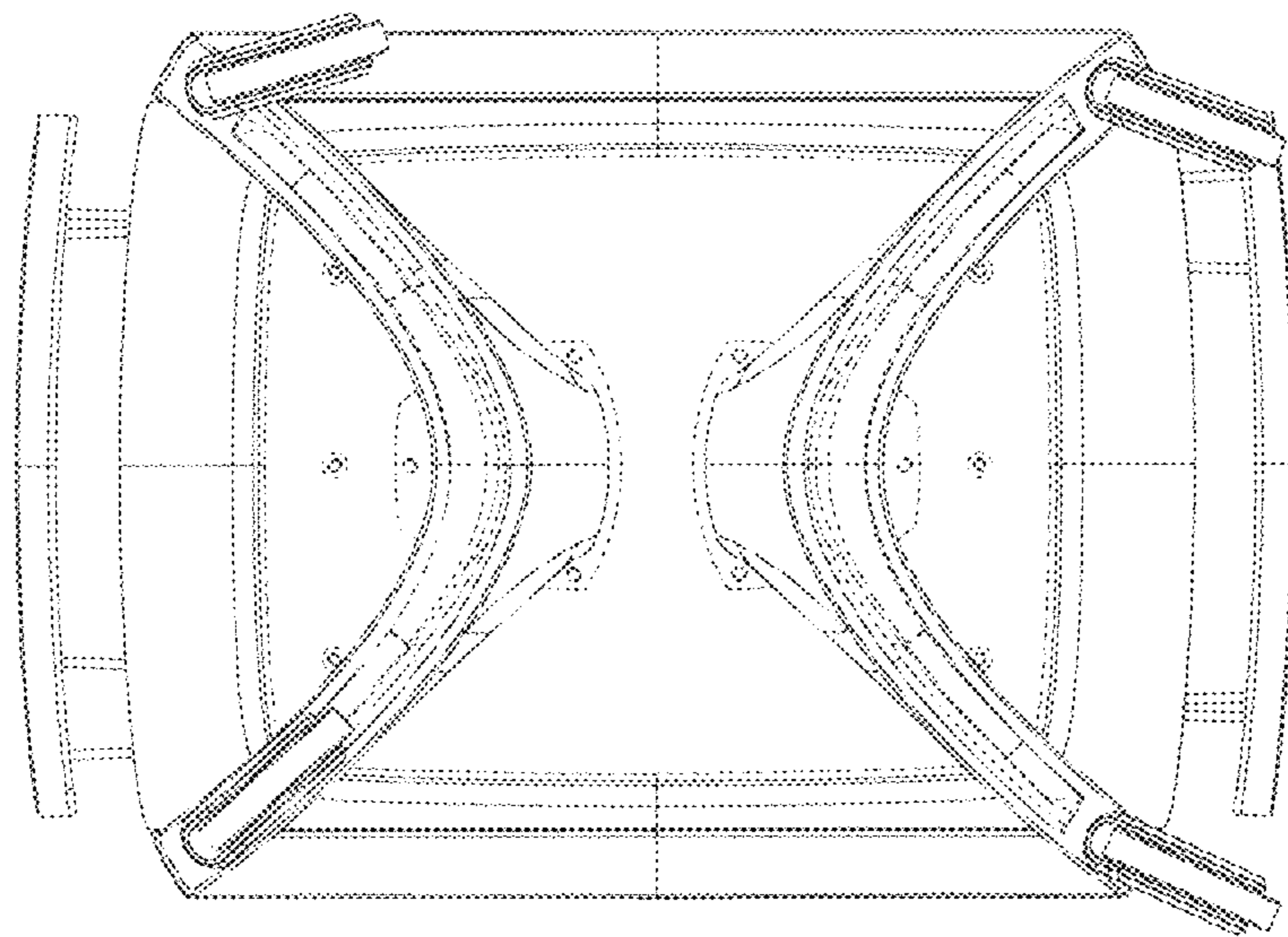


FIG. 6

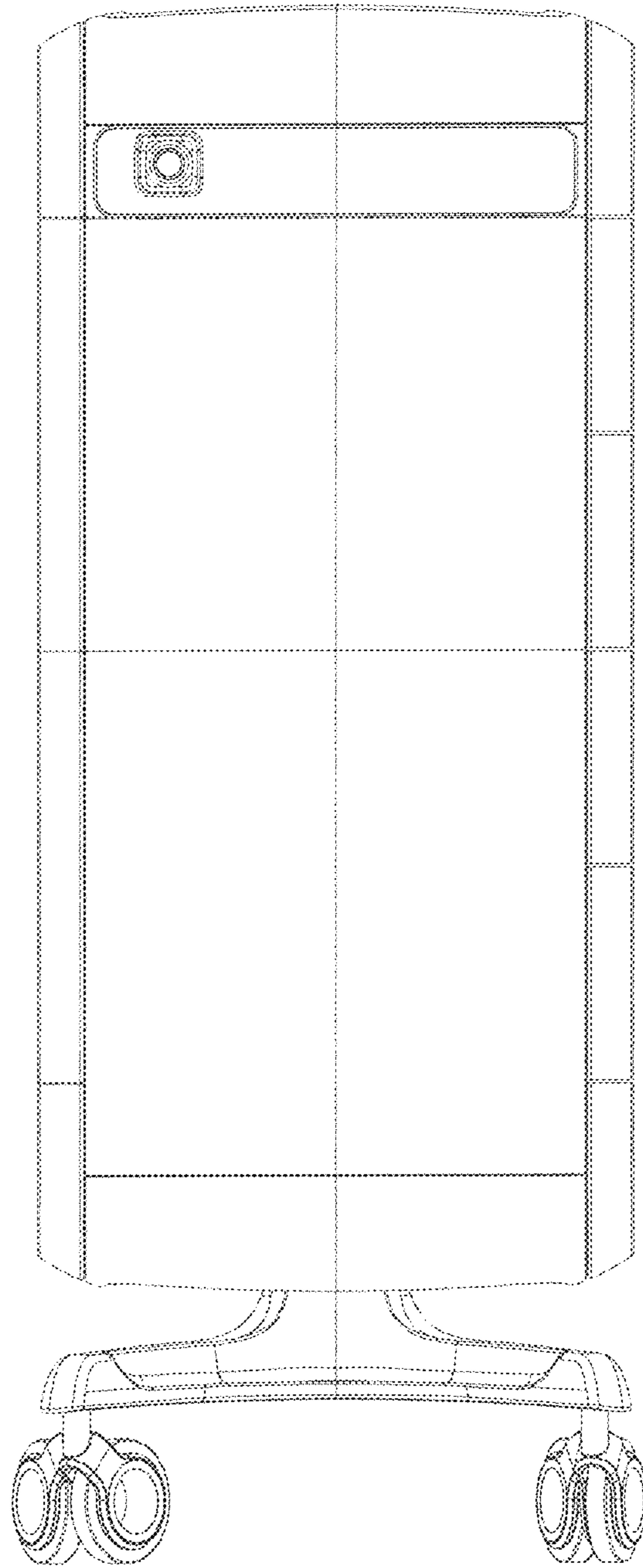


FIG. 7