



US00D933922S

(12) **United States Design Patent** (10) **Patent No.:** **US D933,922 S**
Schouten et al. (45) **Date of Patent:** **** Oct. 19, 2021**

(54) **DRYING RACK**

(71) Applicant: **FC Brands Limited**, Central Hong Kong (HK)

(72) Inventors: **Pieter Schouten**, Berkeley, CA (US); **Tal Chitayat**, New York, NY (US); **David Dennys Chitayat**, Shanghai (CN); **Heather Tomasetti Kauffman**, Larchmont, NY (US)

(73) Assignee: **FC Brands Limited**, Central Hong Kong (HK)

(**) Term: **15 Years**

(21) Appl. No.: **29/689,530**

(22) Filed: **Apr. 30, 2019**

(51) **LOC (13) Cl.** **07-05**

(52) **U.S. Cl.**
USPC **D32/58**

(58) **Field of Classification Search**
USPC D32/55, 276, 3, 58; D6/510, 525; 211/41.5, 41.4, 41.3, 41.8, 195, 200; 361/679.4; 312/311, 333, 334.4; D7/354, 629, 368
CPC .. F26B 25/18; F26B 9/003; A61L 9/20; A47F 3/08; A47B 43/00; D06F 57/12
See application file for complete search history.

(56) **References Cited**

U.S. PATENT DOCUMENTS

D347,094 S *	5/1994	Christensen, Jr.	D32/58
5,318,189 A *	6/1994	Lee	A47G 25/0664
				211/196
D394,926 S *	6/1998	Lindsay	D32/58
D412,231 S *	7/1999	Williams	D32/58
D412,381 S *	7/1999	Peet	D32/58
6,568,546 B1 *	5/2003	Huang	A47B 49/00
				211/205
D641,528 S *	7/2011	Wai	D32/58

D664,374 S *	7/2012	Capella	D6/681.3
D665,549 S *	8/2012	Kropf	D32/58
D682,499 S *	5/2013	Williams	D32/58
D683,096 S *	5/2013	Stumpo	D32/58
D691,775 S *	10/2013	Williams	D32/58
D727,632 S *	4/2015	Sanchez	D6/323
D741,037 S *	10/2015	Mustari	D32/58

(Continued)

Primary Examiner — Austin Murphy

(74) *Attorney, Agent, or Firm* — Pierce Atwood LLP

(57) **CLAIM**

The ornamental design for a drying rack, as shown and described.

DESCRIPTION

FIG. 1 is a front perspective view of a drying rack showing our new design in a first configuration where the arms are outwardly extending in a first configuration which may, for example, be a storage configuration;

FIG. 2 is a front perspective view of the drying rack in second configuration where the arms are outwardly extending in a second configuration which may, for example, be arranged for drying various household items;

FIG. 3 is a front elevation view thereof;

FIG. 4 is a rear elevation view thereof;

FIG. 5 is a right side elevation view thereof;

FIG. 6 is a left side elevation view thereof;

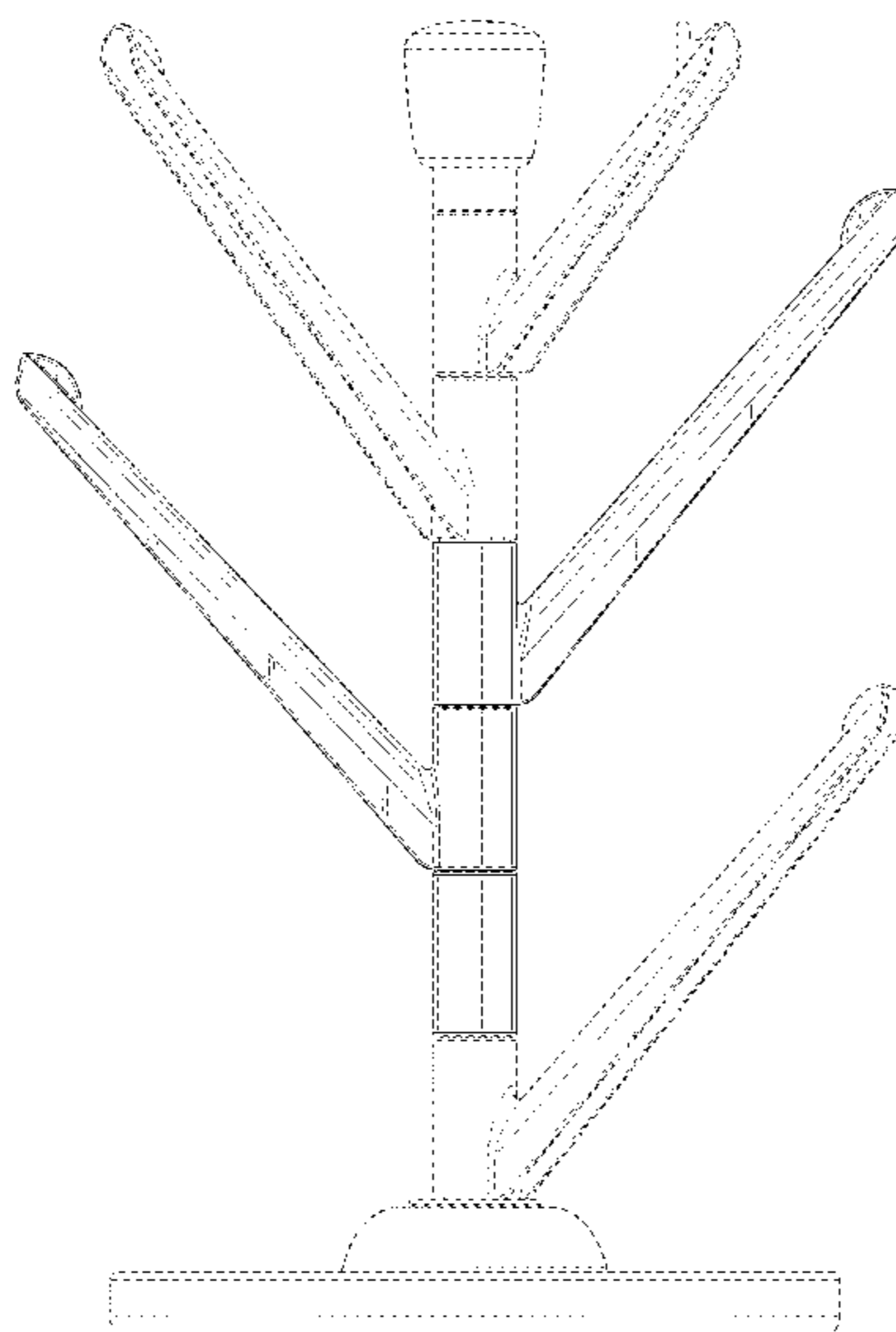
FIG. 7 is the top plan view thereof; and,

FIG. 8 is the bottom plan view thereof.

The broken lines in the drawings depict portions of the drying rack that form no part of the claimed design. In particular, the top cap, the circular base, and the upper and lower arms form no part of the claimed design.

It should be appreciated that the plurality of arms of the drying rack may be rotatable such that they can be arranged in a different angular orientation with respect to each other as the invention is not limited to the particular angular orientations illustrated in the drawings.

1 Claim, 8 Drawing Sheets



(56)

References Cited

U.S. PATENT DOCUMENTS

D808,606 S * 1/2018 Greenspon D32/58
D869,106 S * 12/2019 Schmidt D32/8
D906,616 S * 12/2020 Li D32/58
2006/0186073 A1* 8/2006 Roe D06F 59/02
211/196
2007/0175848 A1* 8/2007 Mallen A47G 25/0671
211/196
2012/0024808 A1* 2/2012 Jackson D06F 57/04
211/85.7

* cited by examiner

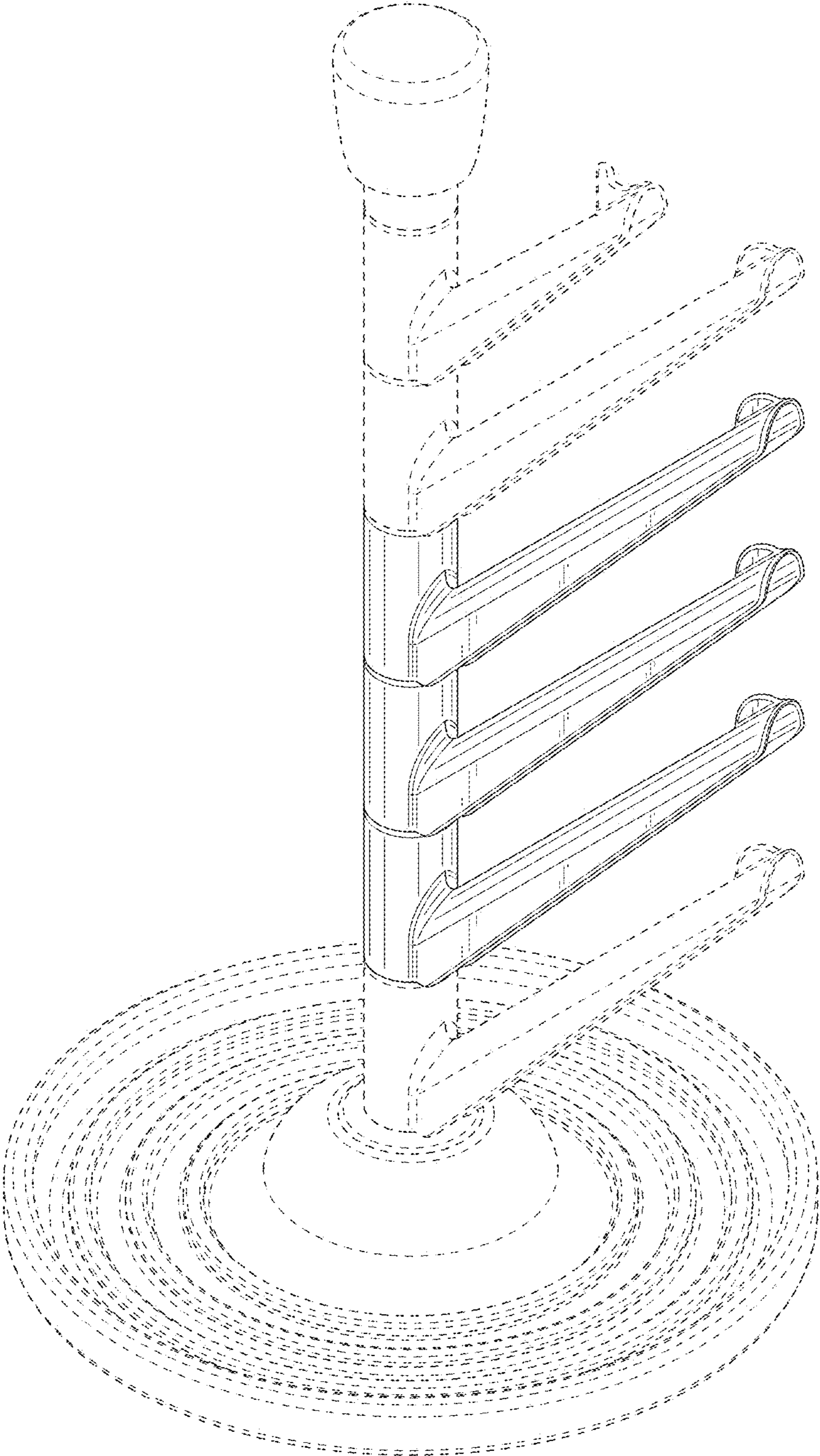


FIG. 1

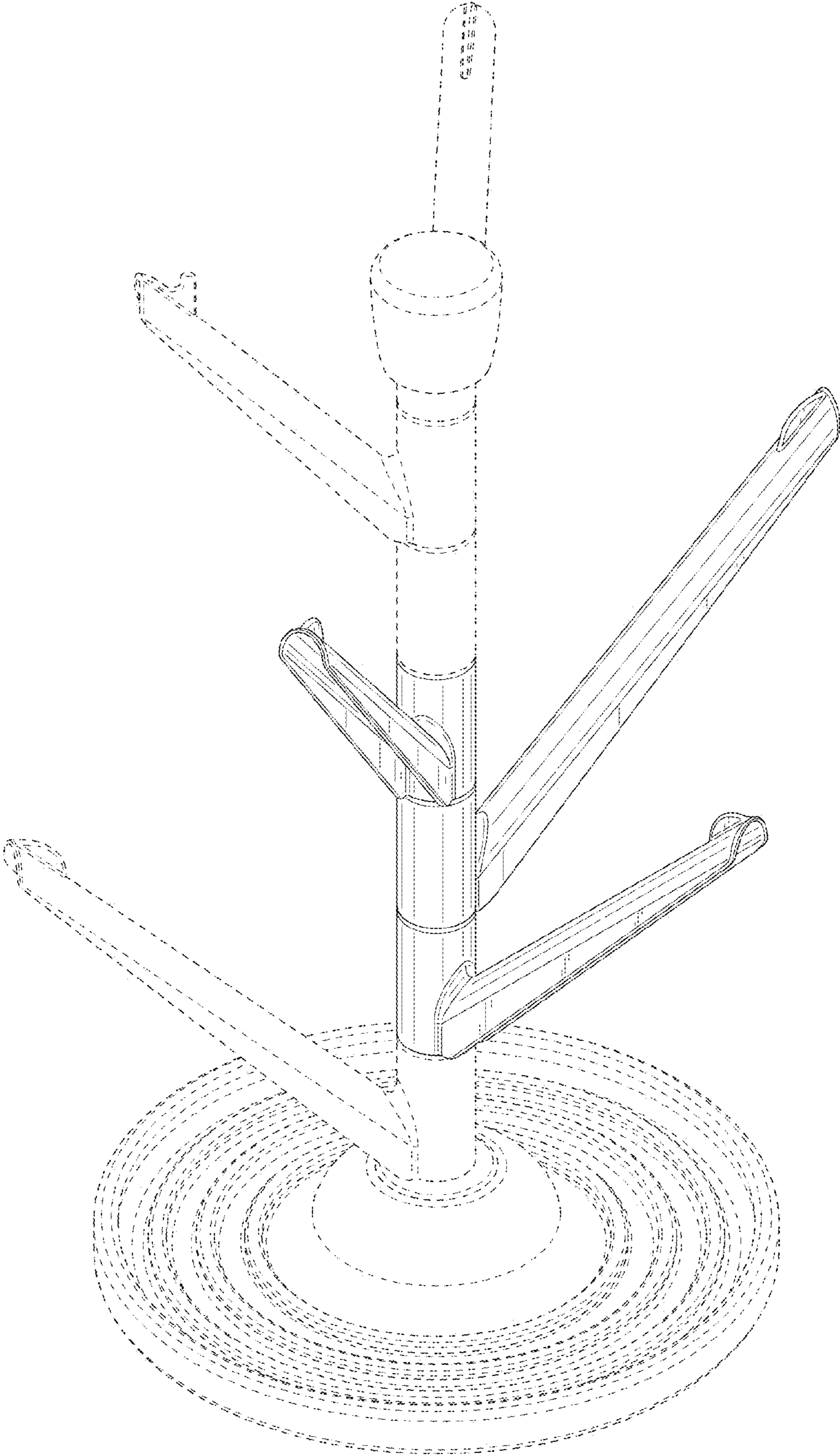


FIG. 2

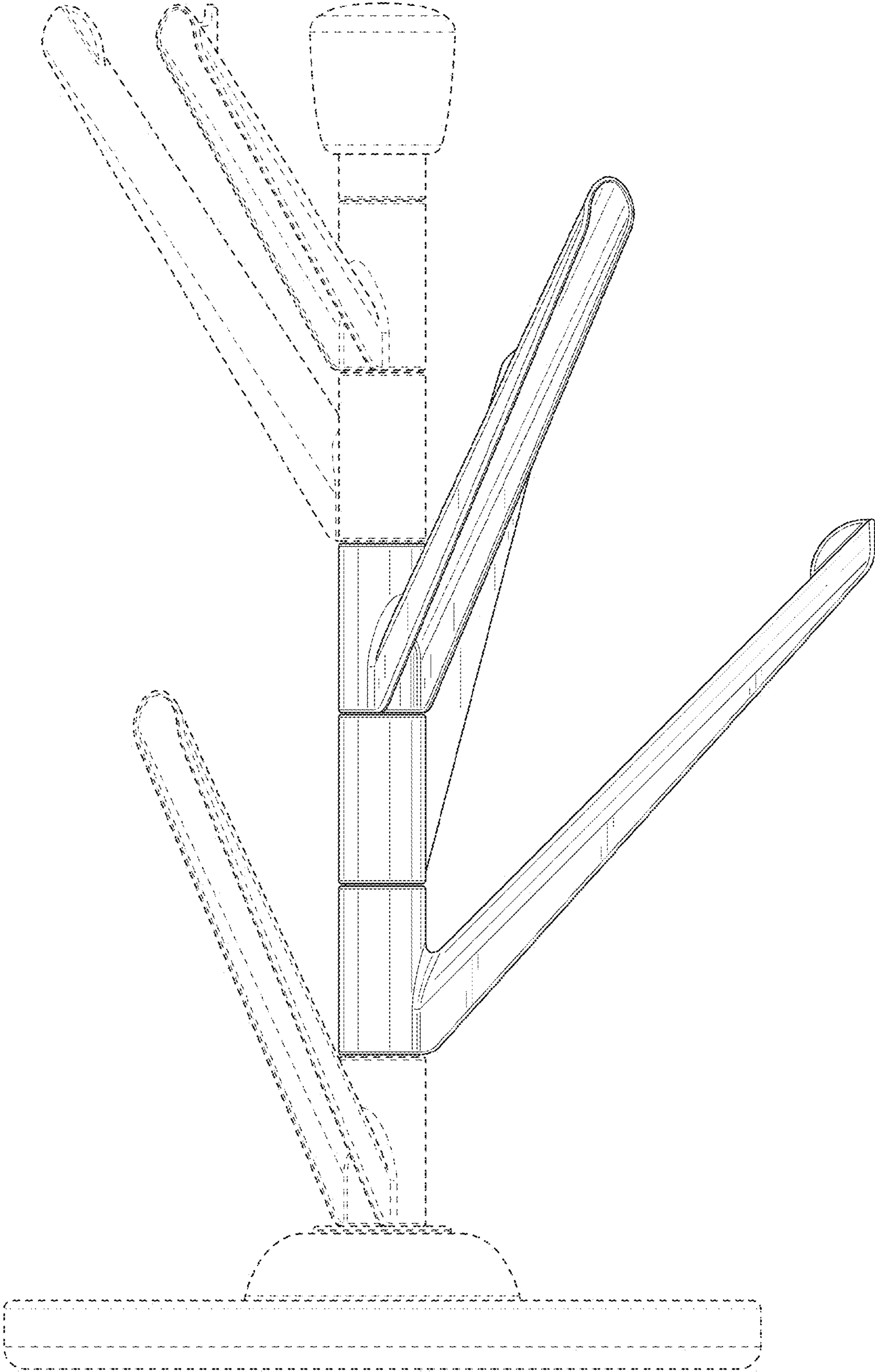


FIG. 3

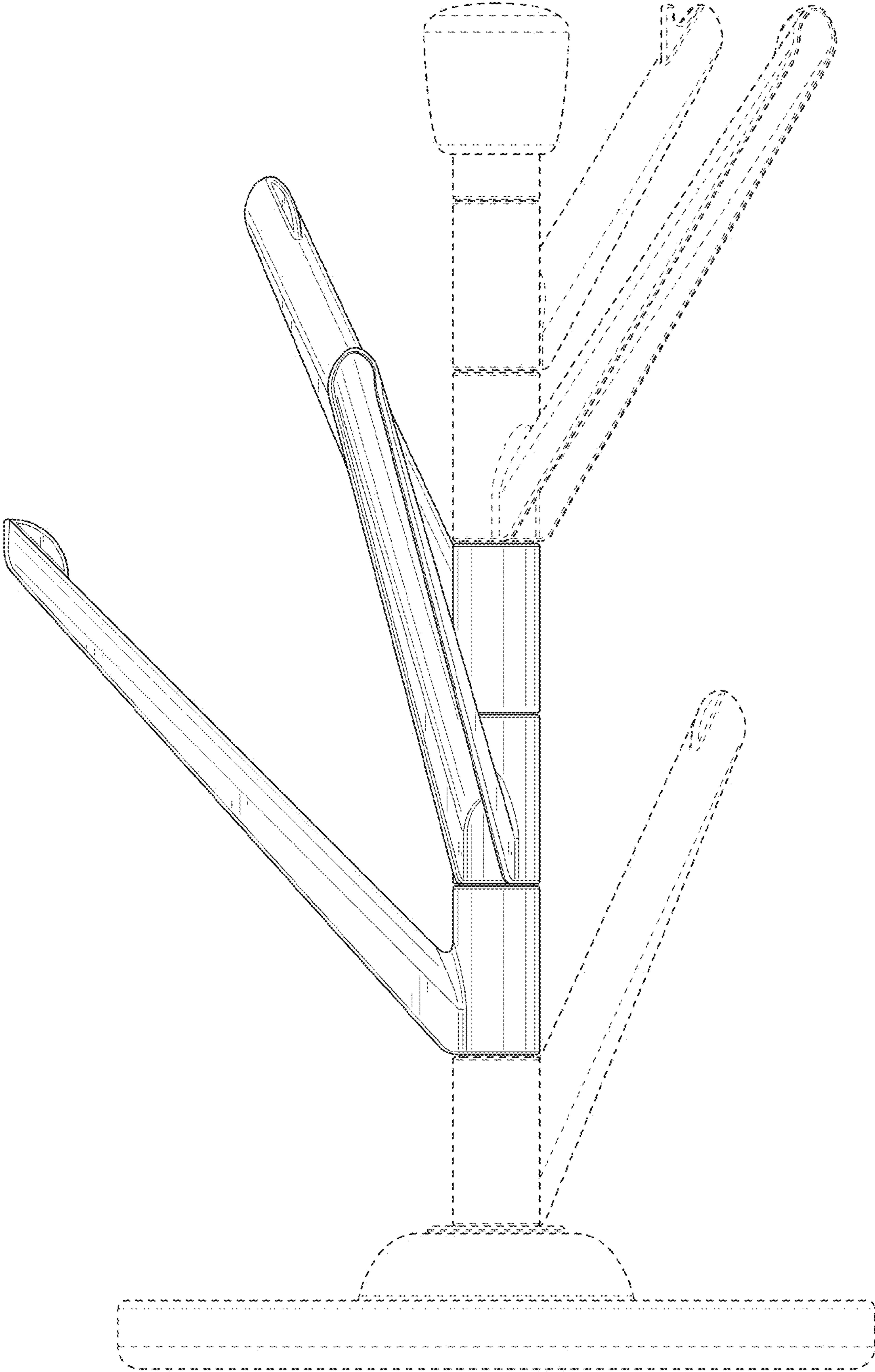


FIG. 4

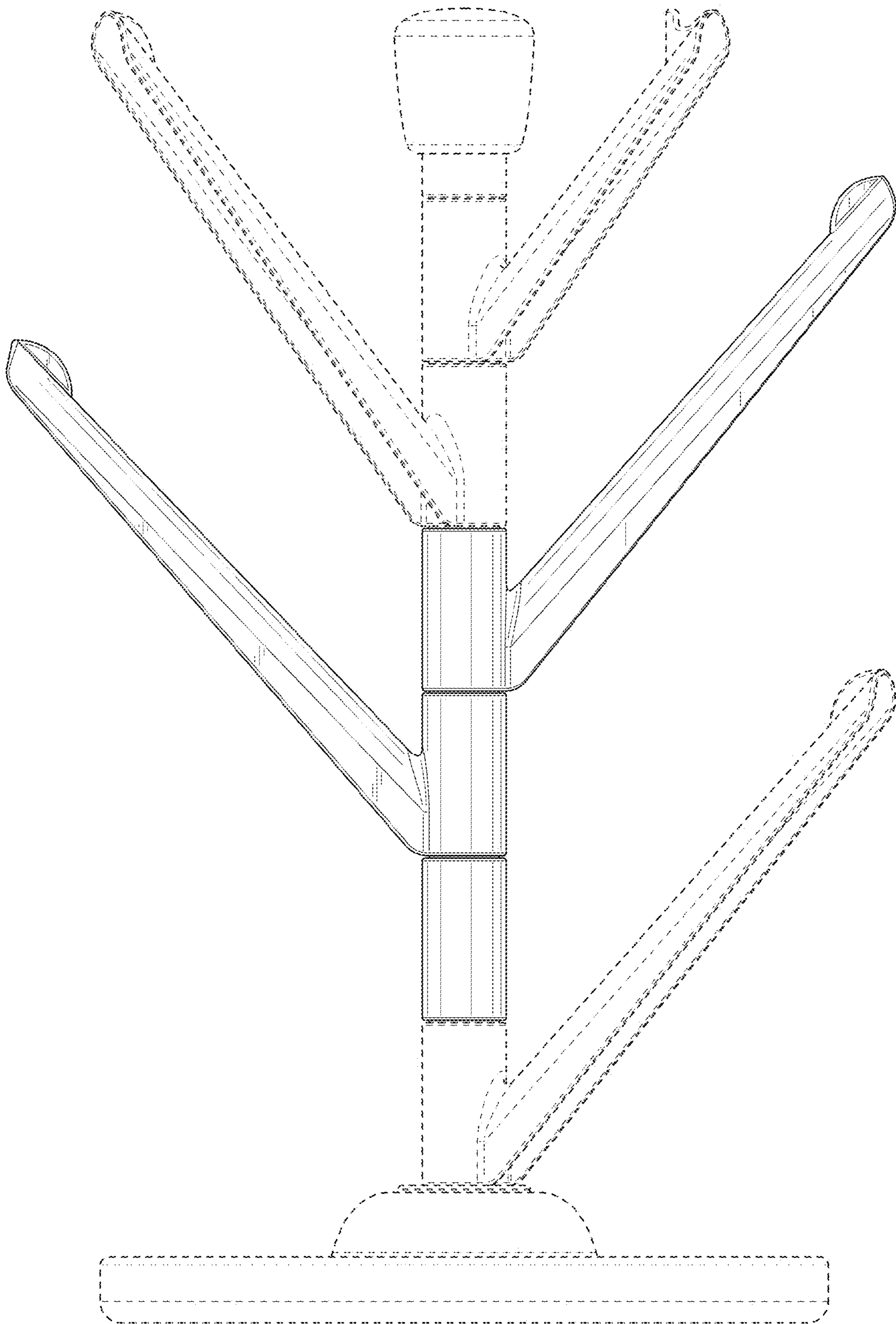


FIG. 5

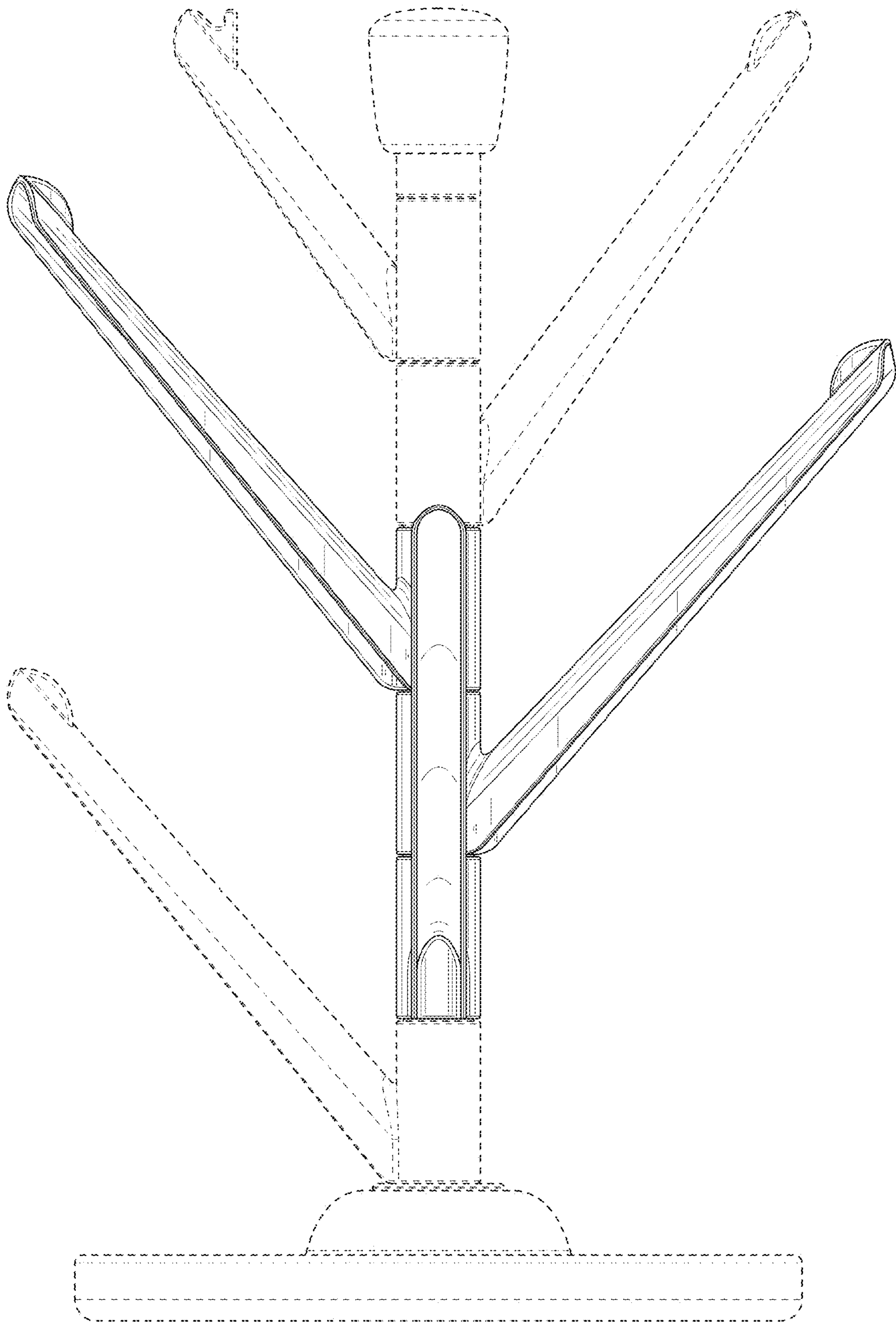


FIG. 6

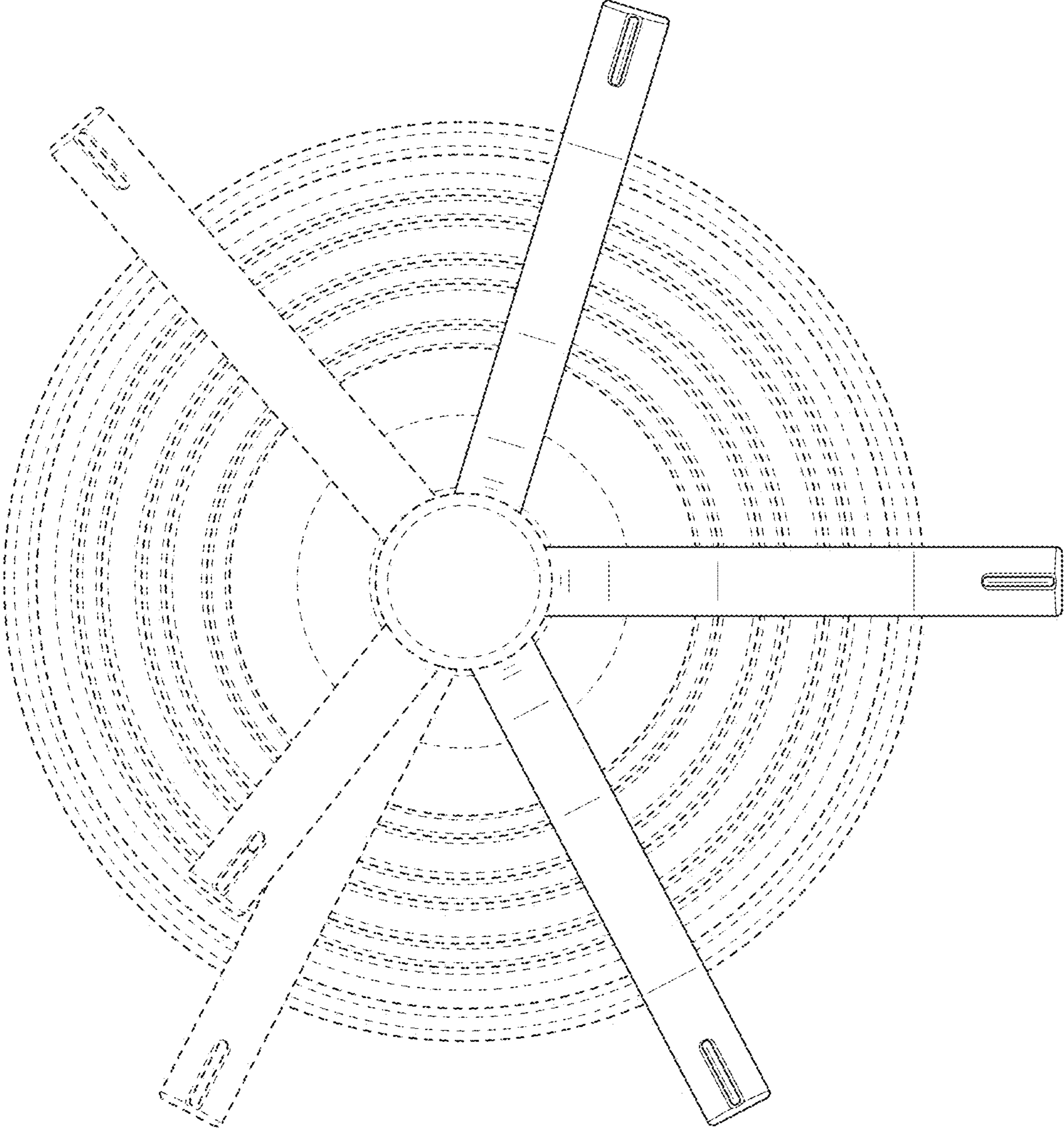


FIG. 7

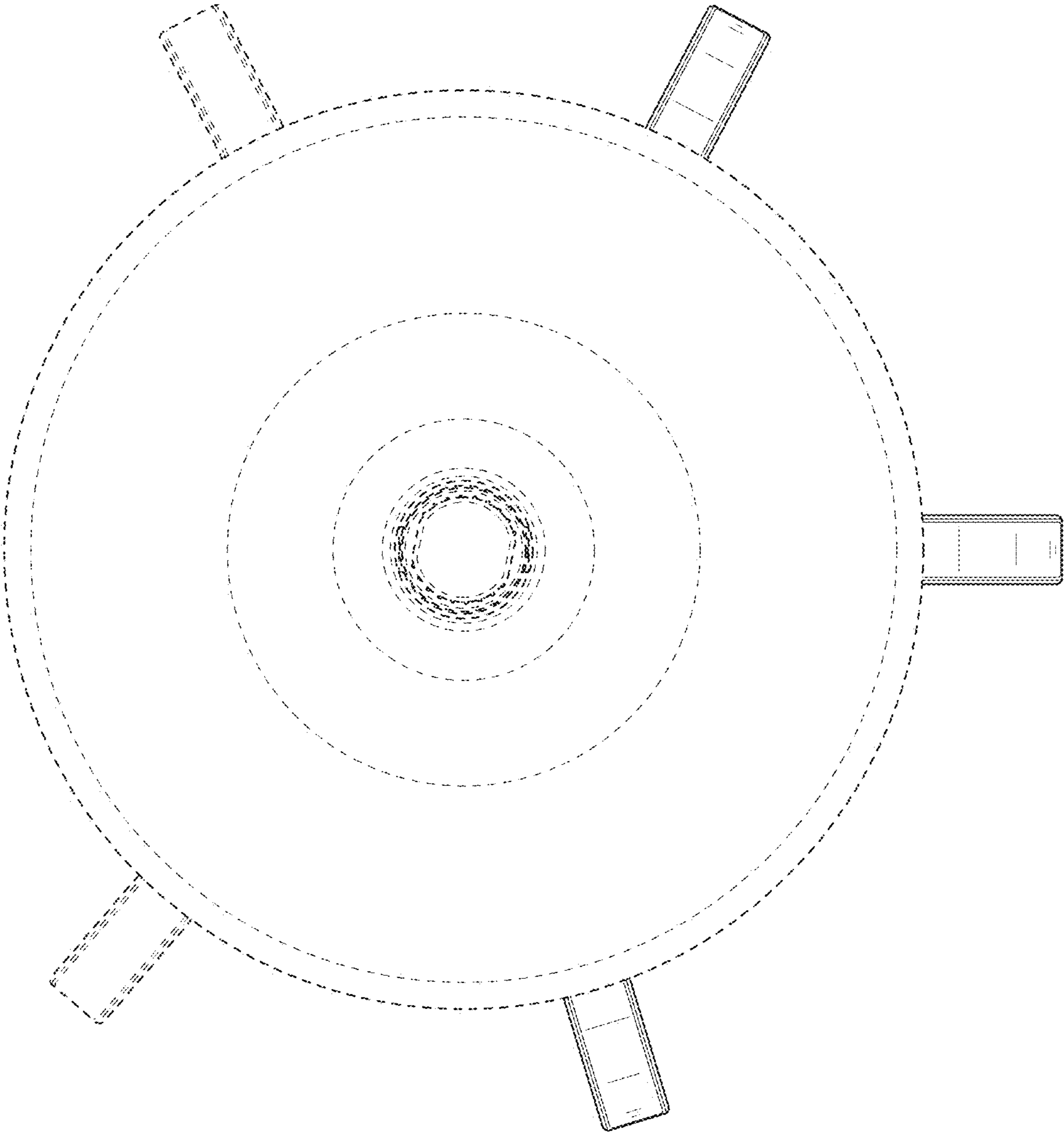


FIG. 8