



US00D933913S

(12) **United States Design Patent**
Kitagawa et al.

(10) **Patent No.:** **US D933,913 S**
(45) **Date of Patent:** **** Oct. 19, 2021**

(54) **CLEANING ROBOT**

FOREIGN PATENT DOCUMENTS

(71) Applicant: **SoftBank Robotics Group Corp.**,
Minato-ku (JP)

CA 186426 * 5/2020
CN 305434345 * 11/2019

(Continued)

(72) Inventors: **Daisuke Kitagawa**, Tokyo (JP); **Simon Chen**, Chai Wan (HK)

OTHER PUBLICATIONS

(73) Assignee: **SoftBank Robotics Group Corp.**,
Minato-ku (JP)

Whiz Brochure, Cobot Vacuum Sweeper, available in braincorp.com, announced Year 2020 [online], [site visited Nov. 16, 2020], Internet URL: https://www.braincorp.com/wp-content/uploads/2020/09/Meet-Whiz-Brochure_EN.pdf (Year: 2020).*

(Continued)

(**) Term: **15 Years**

(21) Appl. No.: **29/683,096**

(22) Filed: **Mar. 11, 2019**

Primary Examiner — Dana K Weiland

Assistant Examiner — Jennylou M Binas

(30) **Foreign Application Priority Data**

Nov. 16, 2018 (JP) 2018-025082

(74) *Attorney, Agent, or Firm* — Oblon, McClelland,
Maier & Neustadt, L.L.P.

(51) **LOC (13) Cl.** **15-05**

(57) **CLAIM**

(52) **U.S. Cl.**
USPC **D32/21**

The ornamental design for a cleaning robot, as shown and described.

(58) **Field of Classification Search**
USPC D32/21, 23, 24, 31; D21/578; D13/108,
D13/109

DESCRIPTION

CPC . A47L 5/08; A47L 5/30; A47L 7/0004; A47L 9/04; A47L 9/168; A47L 9/2805; A47L 9/2873; A47L 11/4011; A47L 11/4016; A47L 11/4038; A47L 11/4041; A47L 11/4044; A47L 2201/02; A47L 2201/04; A47L 2201/06; B25J 9/0003; B25J 9/1694; E04H 4/1636; G05D 1/0225; G06N 3/008

See application file for complete search history.

FIG. 1 is a perspective view of the front, top and right side of a cleaning robot showing our new design;
FIG. 2 is a perspective view of the rear, bottom and left side thereof;
FIG. 3 is a perspective view of the rear, top and right side thereof;
FIG. 4 is a front view thereof;
FIG. 5 is a rear view thereof;
FIG. 6 is a left side view thereof;
FIG. 7 is a right side view thereof;
FIG. 8 is a top view thereof; and,
FIG. 9 is a bottom view thereof.

The broken lines shown in the figures depict portions of the cleaning robot that form no part of the claimed design.

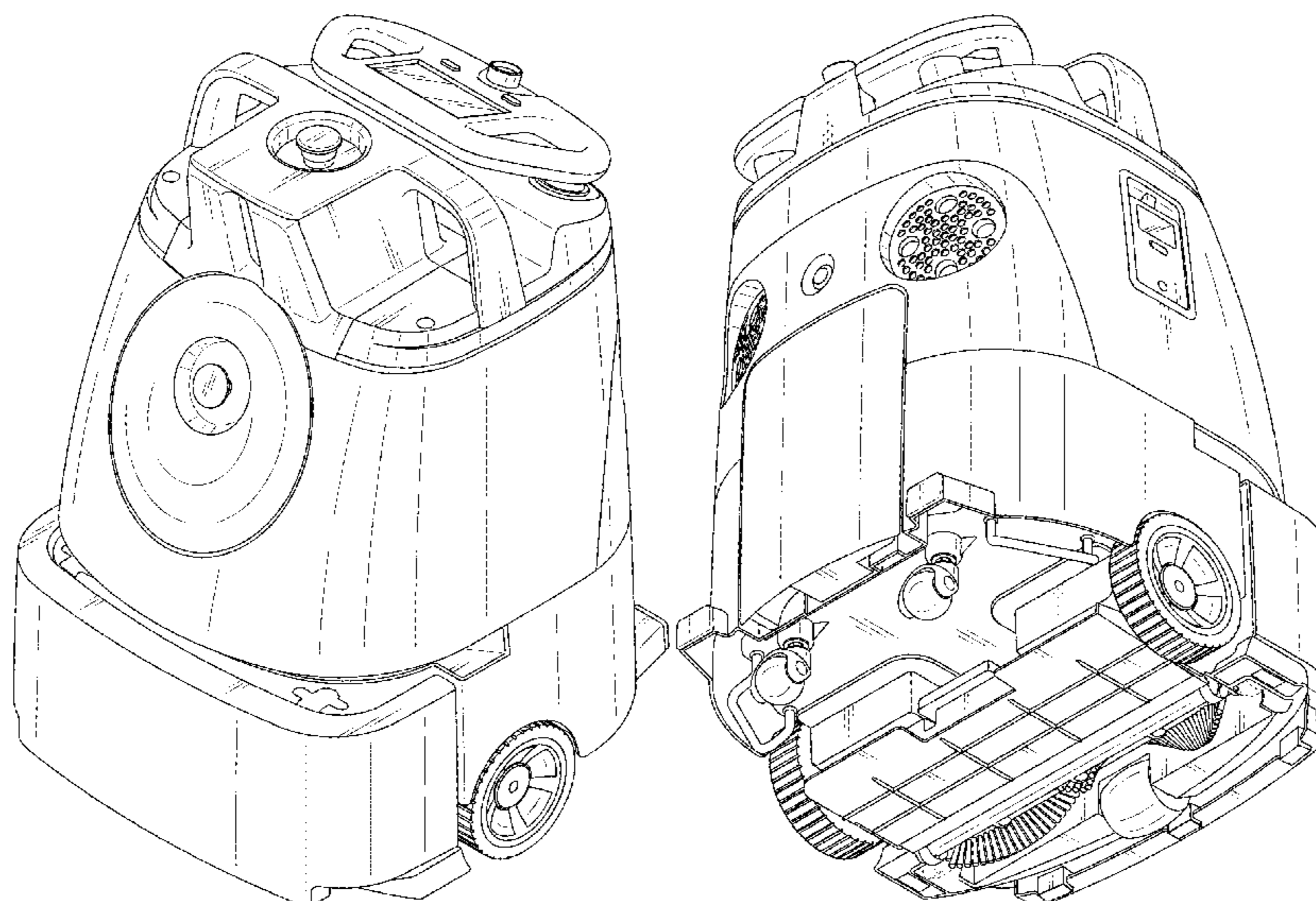
(56) **References Cited**

U.S. PATENT DOCUMENTS

D388,565 S * 12/1997 Pietrobon D32/23
D404,860 S * 1/1999 Stutzer D32/21
D840,618 S * 2/2019 Kim D32/21

(Continued)

1 Claim, 9 Drawing Sheets



(56)

References Cited

U.S. PATENT DOCUMENTS

D840,619 S * 2/2019 Kim D32/21
 D840,620 S * 2/2019 Kim D32/21
 D861,266 S * 9/2019 D'Souza D32/21
 D877,994 S * 3/2020 Kim D32/21
 2003/0060928 A1* 3/2003 Abramson G05D 1/0219
 700/245
 2015/0182083 A1* 7/2015 Frank A47L 9/2884
 15/352
 2015/0223652 A1* 8/2015 Koura A47L 9/32
 15/327.2
 2018/0177361 A1* 6/2018 Song A47L 9/062
 2018/0177372 A1* 6/2018 Song A47L 9/062
 2018/0184874 A1* 7/2018 Song A47L 9/30

FOREIGN PATENT DOCUMENTS

CN 305948414 * 7/2020
 CN 306093260 * 10/2020
 GB 6056566 * 3/2019
 JP D1640872 * 9/2019

JP D1640873 * 9/2019
 JP D1640874 * 9/2019
 JP D1640875 * 9/2019
 JP D1640876 * 9/2019
 KR 301033675 * 11/2019
 KR 300910527 * 6/2020
 KR 300927113 * 10/2020
 KR 300927118 * 10/2020

OTHER PUBLICATIONS

Cleaning Robots, available in braincorp.com, announced Aug. 10, 2020 [online], [site visited Nov. 16, 2020], Internet URL: <https://www.fierceelectronics.com/electronics/cleaning-robots-are-vogue-covid-19> (Year: 2020).*

Intelligent Robot Housekeeper, announced 2020 [online], [site visited Nov. 16, 2020], Internet URL: https://www.behance.net/gallery/79208359/Intelligent-robot-housekeeper?tracking_source=search_projects_recommended%7Crobot%20vacuum%20cleaner%20industrial%20design (Year: 2020).*

* cited by examiner

Fig. 1

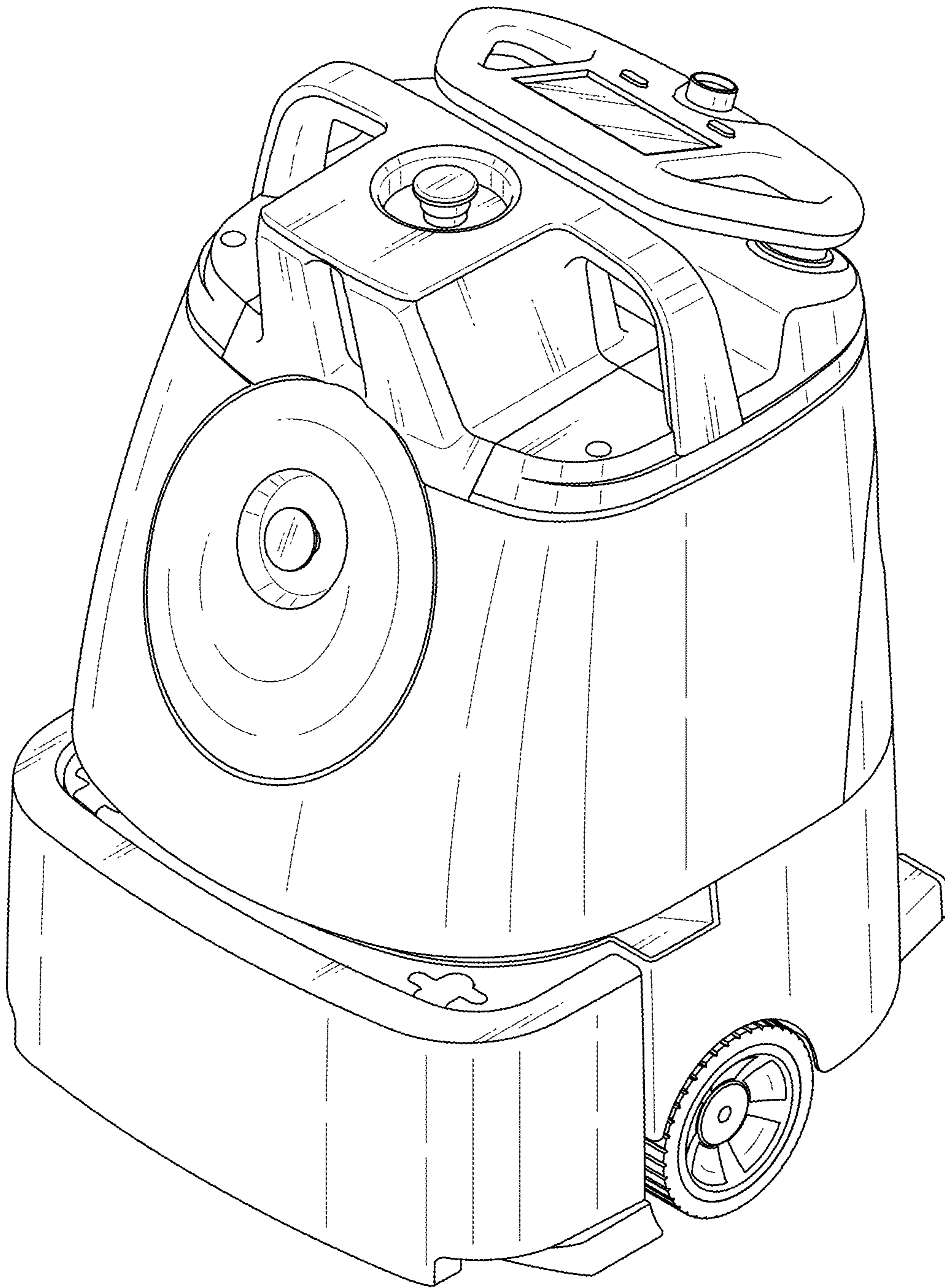


Fig. 2

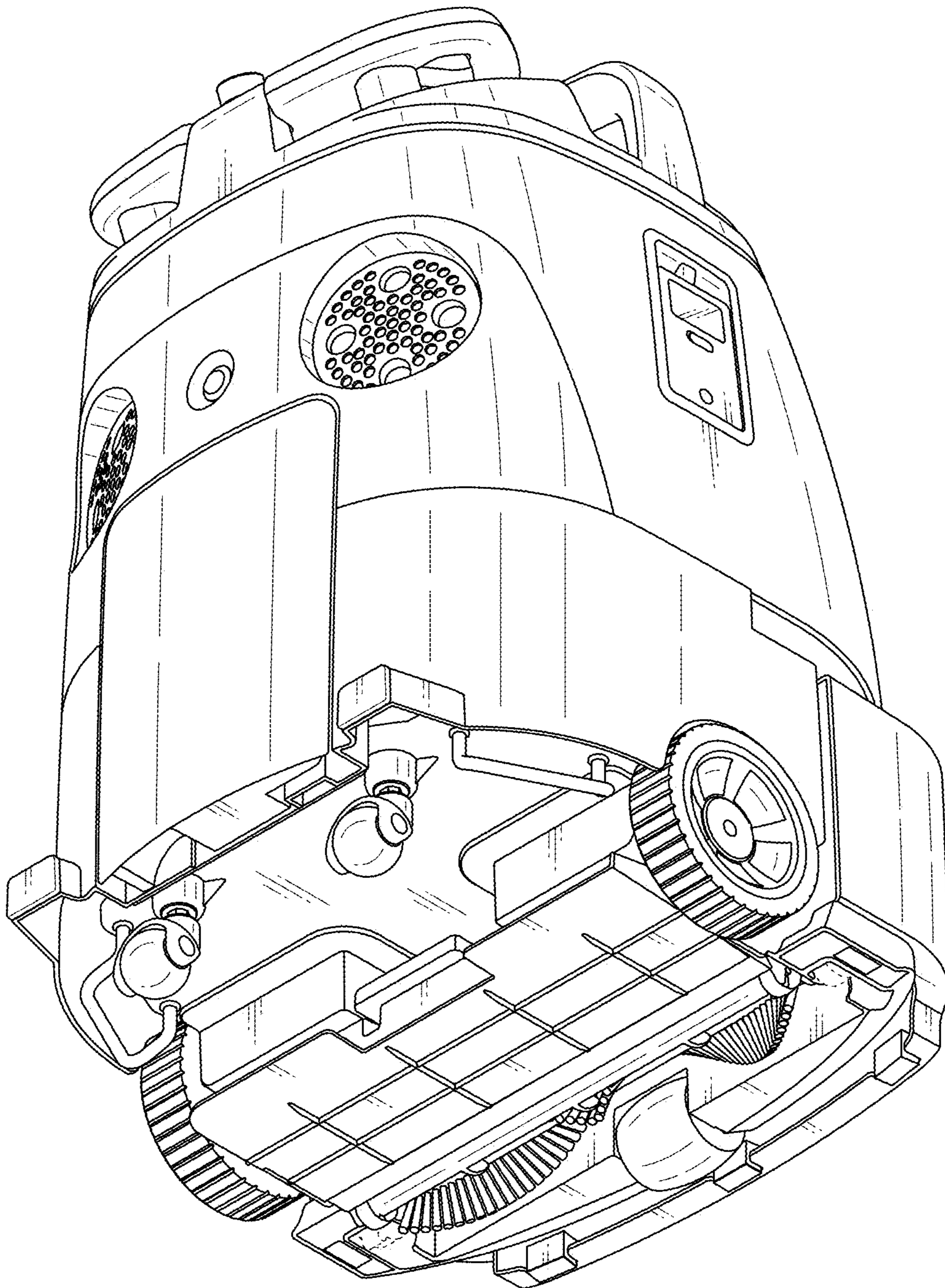


Fig. 3

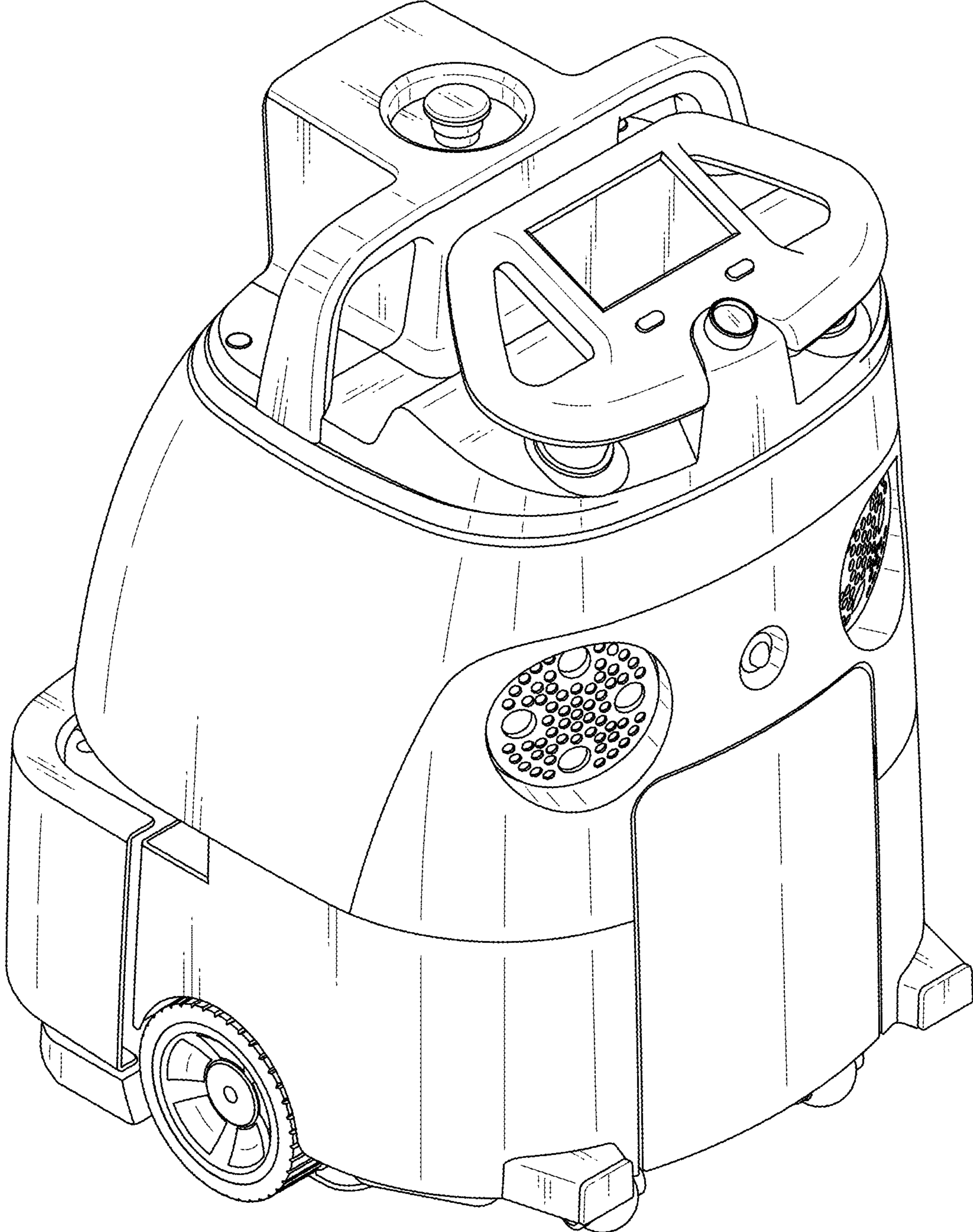


Fig. 4

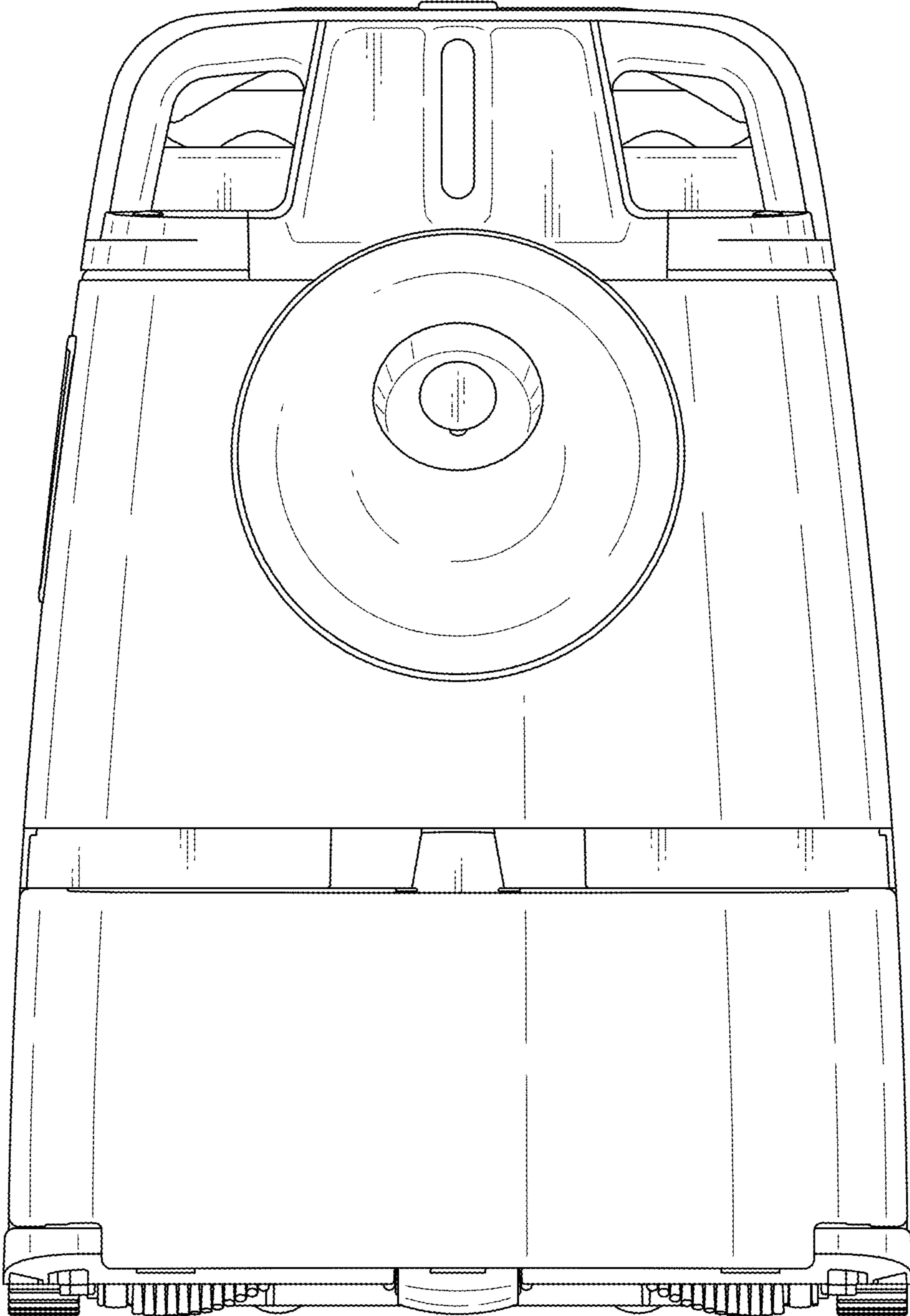


Fig. 5

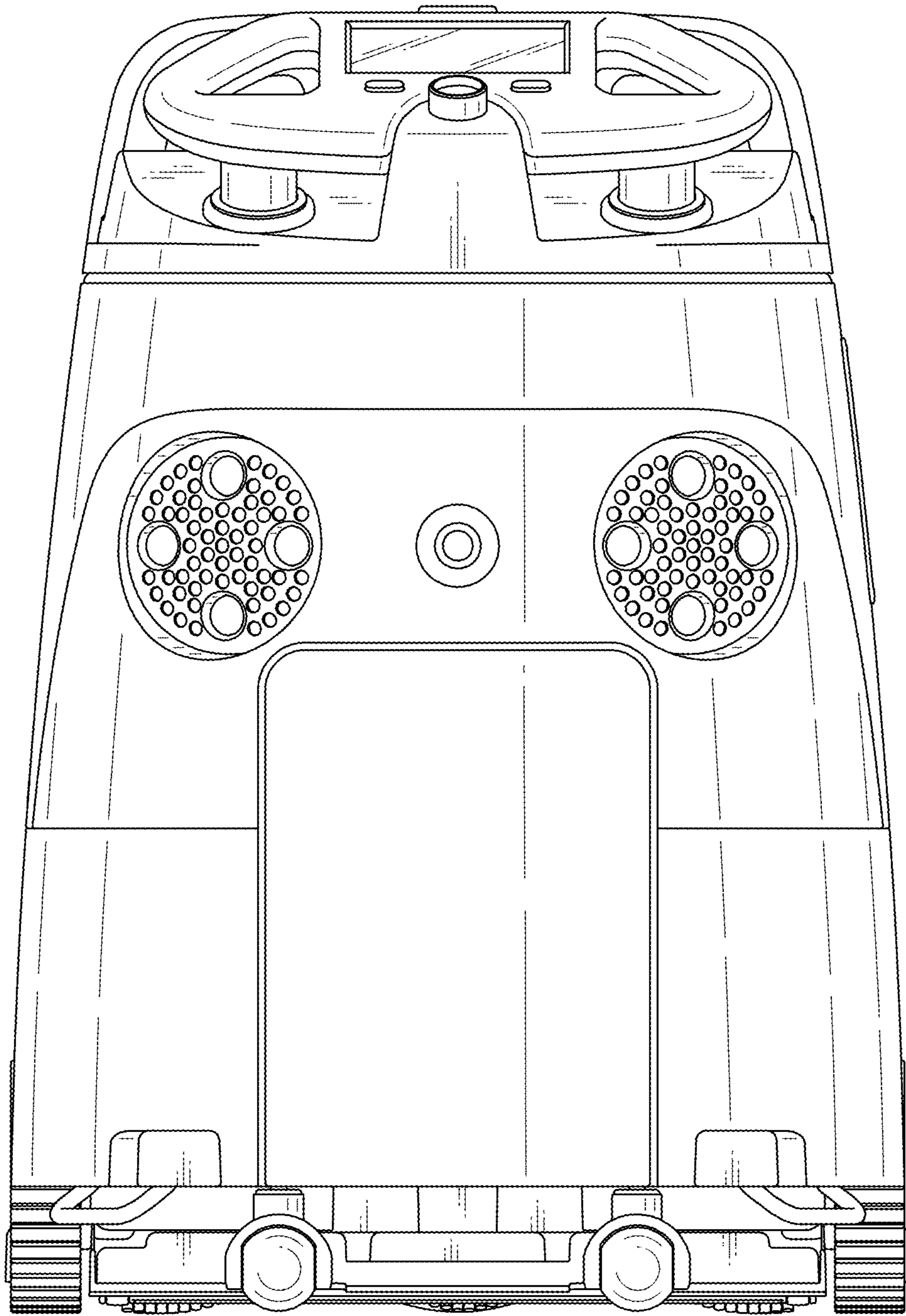


Fig. 6

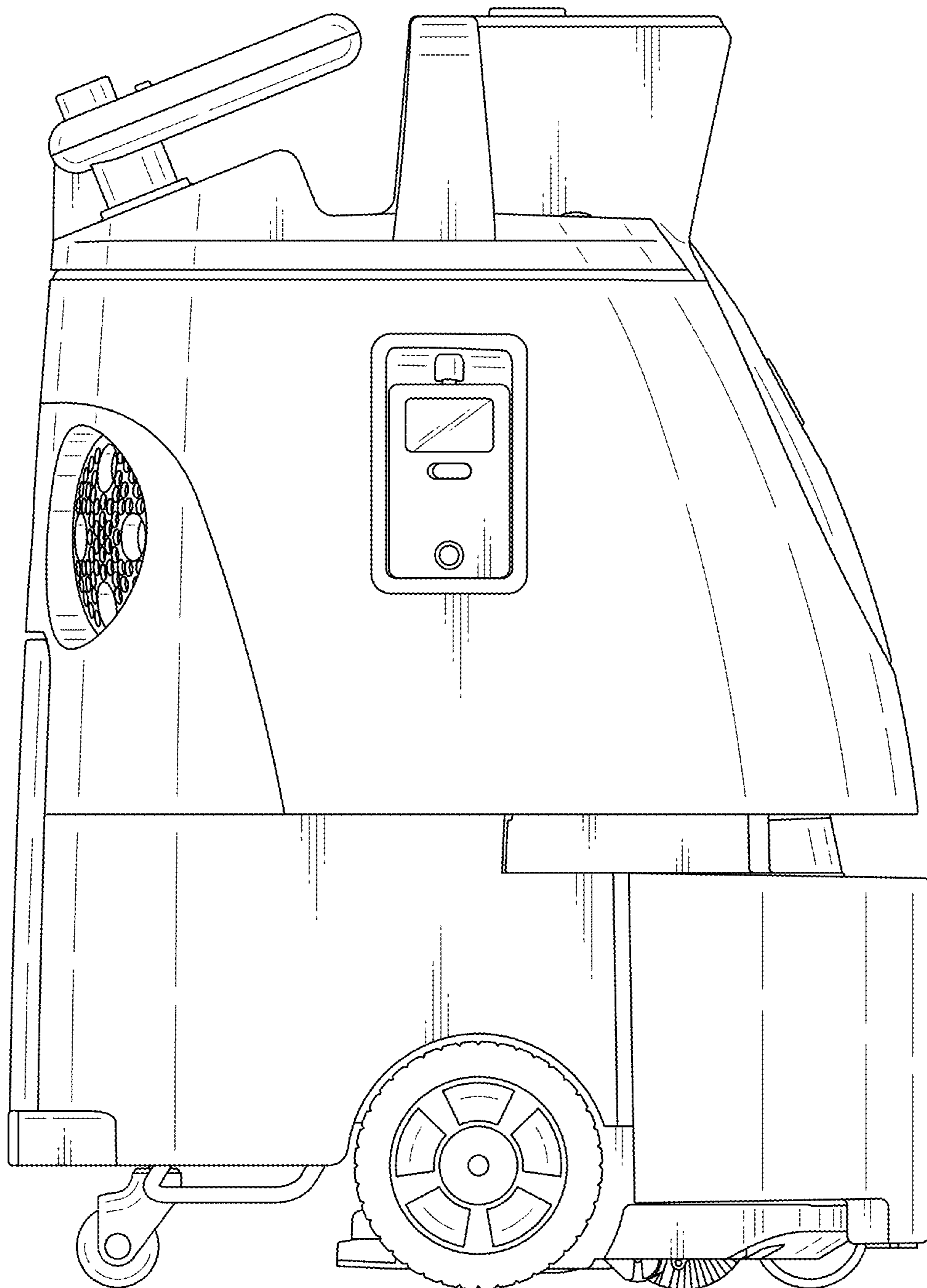


Fig. 7

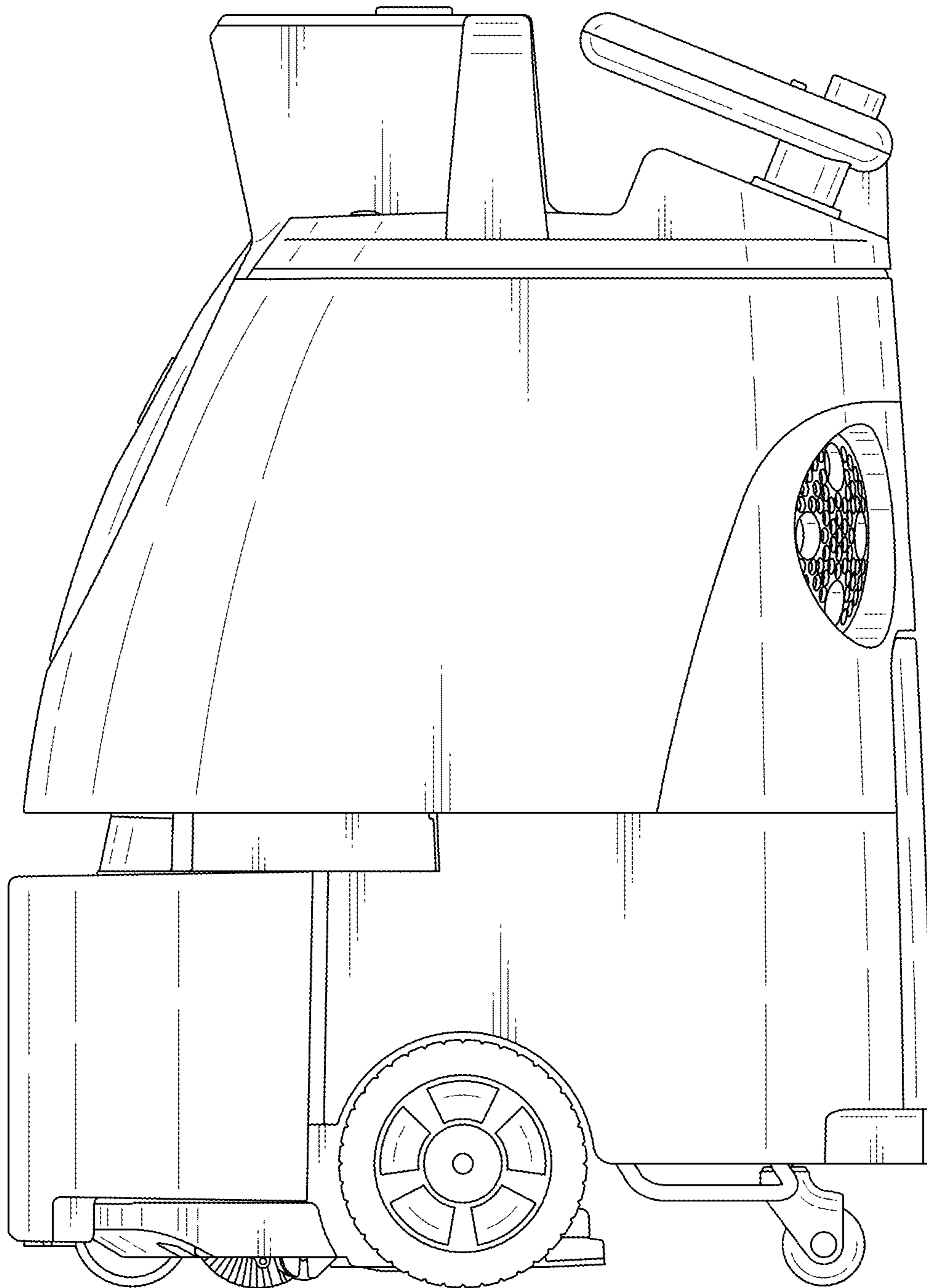


Fig. 8

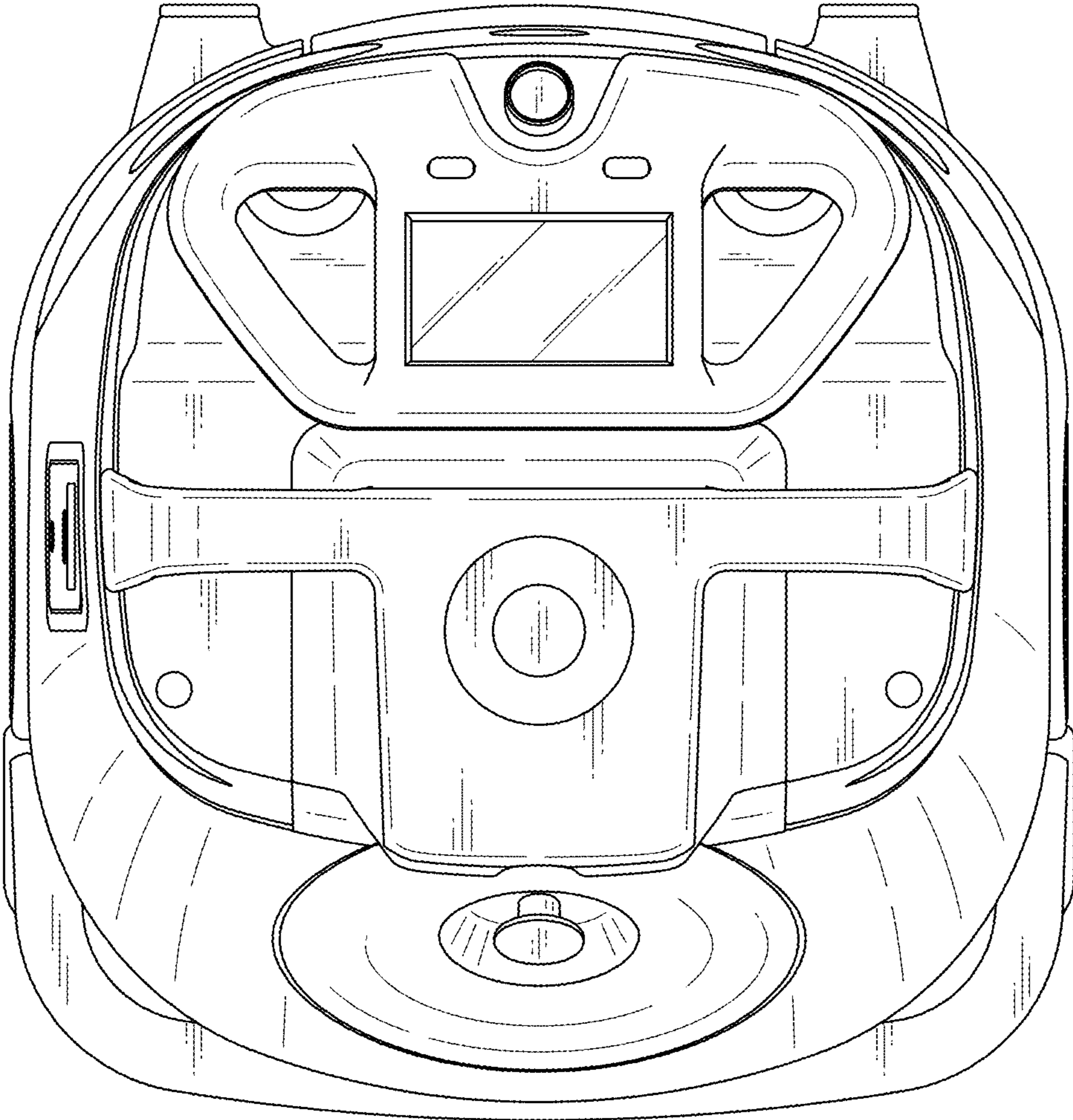


Fig. 9

