



US00D933911S

(12) **United States Design Patent** (10) **Patent No.:** **US D933,911 S**  
**Gwen** (45) **Date of Patent:** **\*\* Oct. 19, 2021**

(54) **PLUNGER**  
(71) Applicant: **Patrick Gwen**, Houston, TX (US)  
(72) Inventor: **Patrick Gwen**, Houston, TX (US)  
(\*\*) Term: **15 Years**  
(21) Appl. No.: **29/691,514**  
(22) Filed: **May 16, 2019**  
(51) **LOC (13) Cl.** ..... **15-05**  
(52) **U.S. Cl.**  
USPC ..... **D32/14**  
(58) **Field of Classification Search**  
USPC ..... D32/30-33, 40-43, 45-49, 50-52;  
D4/118, 116, 128, 136, 138; D8/6-9, 20,  
D8/45, 107; D7/670, 697; D6/551, 524,  
D6/520; 4/255.11  
CPC . A47L 13/02; A47L 13/08; A47L 9/06; B25G  
1/00; B25G 1/01; A46B 9/02  
See application file for complete search history.

2005/0172385 A1\* 8/2005 Jiang ..... E03C 1/308  
4/255.05  
2010/0170030 A1\* 7/2010 Haji-Karami-Mahabadi .....  
E03D 9/00  
4/255.11  
2010/0313345 A1\* 12/2010 Stein ..... E03C 1/308  
4/255.11  
2013/0125298 A1\* 5/2013 Guthrie ..... E03C 1/308  
4/255.11

(Continued)

FOREIGN PATENT DOCUMENTS

IL 66684 \* 3/2021

OTHER PUBLICATIONS

Vigar toilet brush set, customer reviews 2018, <https://www.amazon.com/Vigar-white-flower-toilet-brush/dp/B01LXTKEYX>, site visited Jul. 1, 2021.\*

(Continued)

*Primary Examiner* — John R Yeh  
(74) *Attorney, Agent, or Firm* — Andrew W. Chu

(56) **References Cited**

U.S. PATENT DOCUMENTS

D383,935 S \* 9/1997 Zawalsky ..... D6/524  
D437,463 S \* 2/2001 Garay ..... D32/14  
D437,667 S \* 2/2001 Hwang ..... D32/35  
D441,507 S \* 5/2001 Gholston ..... D32/14  
D448,534 S \* 9/2001 Wang ..... D32/35  
D456,574 S \* 4/2002 Chen ..... D32/35  
D457,277 S \* 5/2002 Poston ..... D32/14  
D491,702 S \* 6/2004 Tash ..... D32/14  
D500,619 S \* 1/2005 Rich ..... D6/524  
6,988,691 B1 \* 1/2006 Lai ..... A47K 10/38  
242/594  
D613,468 S \* 4/2010 Kosasih ..... D32/14  
D647,671 S 10/2011 Stein  
D655,465 S 3/2012 Raven  
D688,840 S \* 8/2013 Wu ..... D32/14  
D796,127 S \* 8/2017 Guthrie ..... E03D 9/00  
D32/14  
D857,311 S \* 8/2019 Cavalcanti ..... D32/14  
D917,197 S \* 4/2021 Kwak ..... D6/524

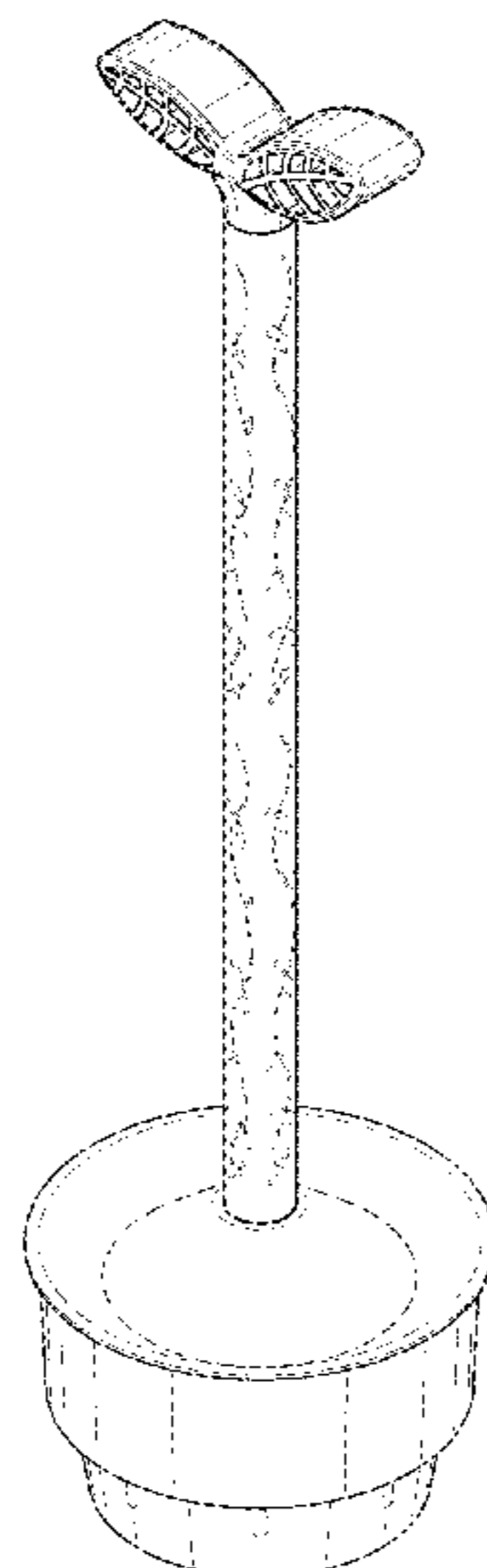
(57) **CLAIM**

The ornamental design for a plunger, as shown and described.

**DESCRIPTION**

FIG. 1 is an upper perspective view of my new design for a plunger;  
FIG. 2 is a front elevation view thereof;  
FIG. 3 is a back elevation view thereof;  
FIG. 4 is a side elevation view thereof;  
FIG. 5 is an opposite side elevation view thereof;  
FIG. 6 is a top plan view thereof; and,  
FIG. 7 is a bottom plan view thereof.  
The broken lines in the drawings depict portions of the plunger that form no part of the claimed design.

**1 Claim, 2 Drawing Sheets**



(56)

**References Cited**

U.S. PATENT DOCUMENTS

2014/0075661 A1\* 3/2014 Zeng ..... E03D 9/00  
4/255.11

OTHER PUBLICATIONS

Boon cacti bottle cleaning brush set, reviews 2018, <https://www.target.com/p/boon-cacti-bottle-cleaning-brush-set/-/A-76501527?> . . . , site visited Jul. 1, 2018.\*

\* cited by examiner

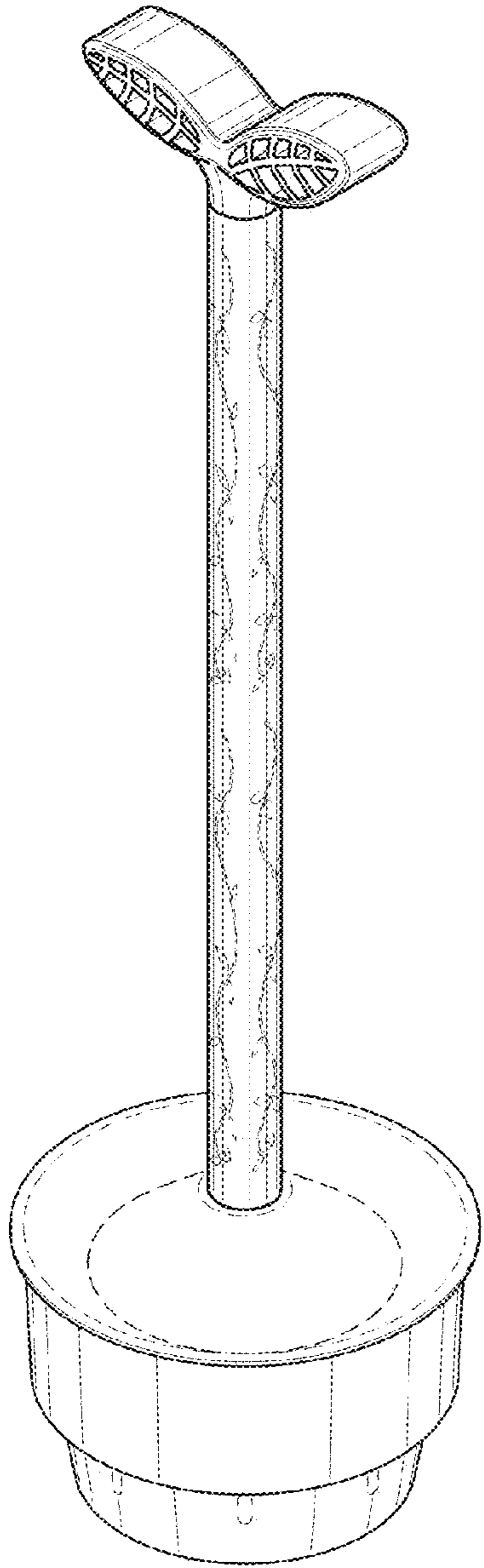


FIG. 1

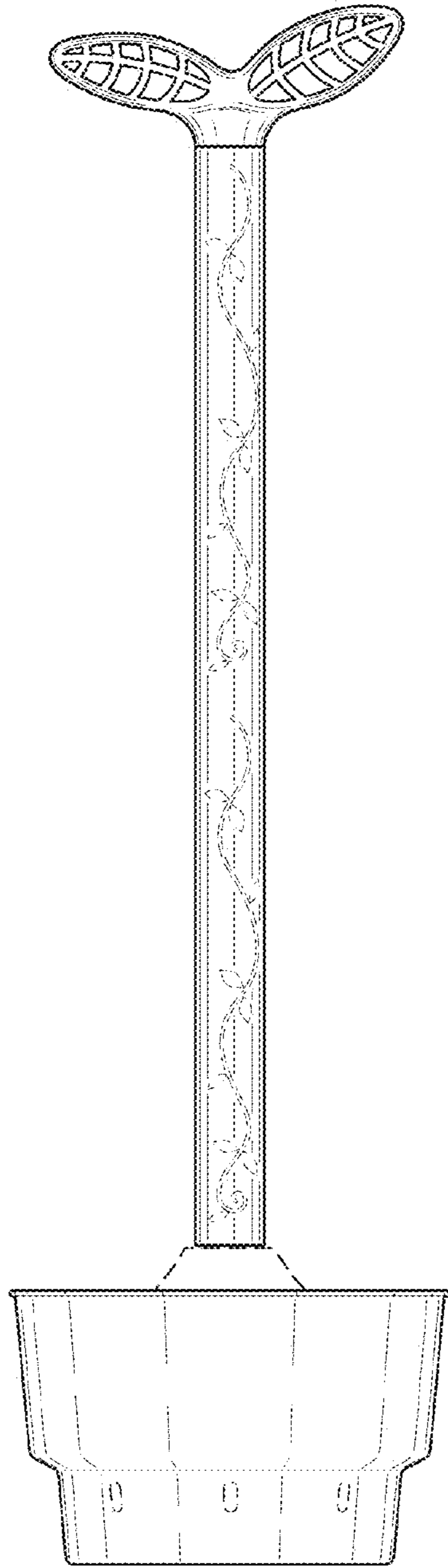


FIG. 2

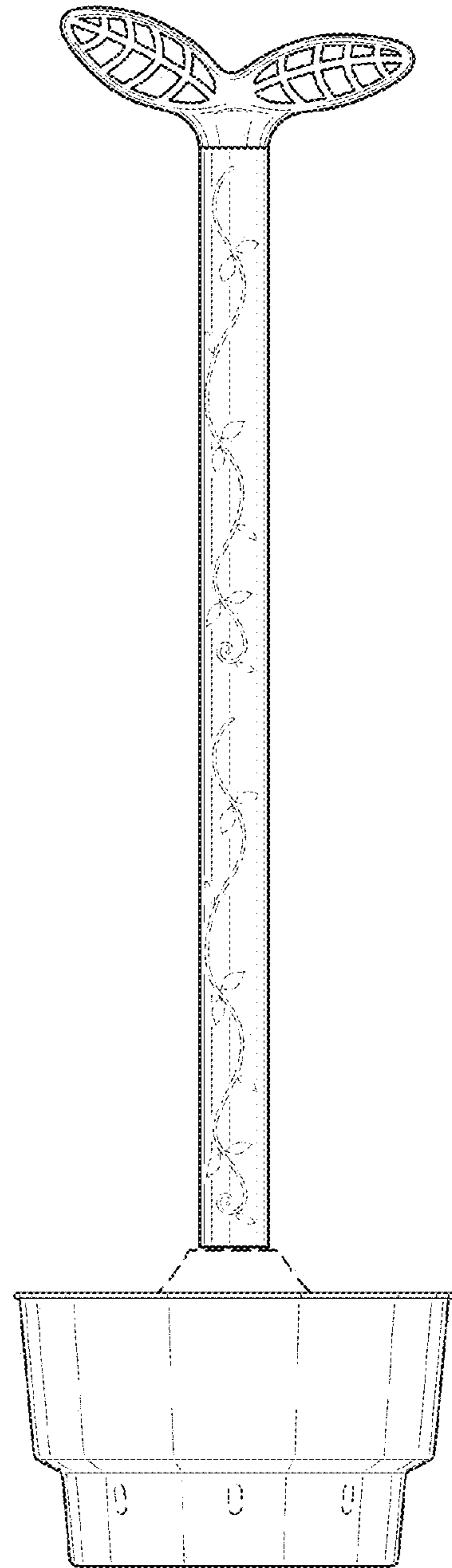
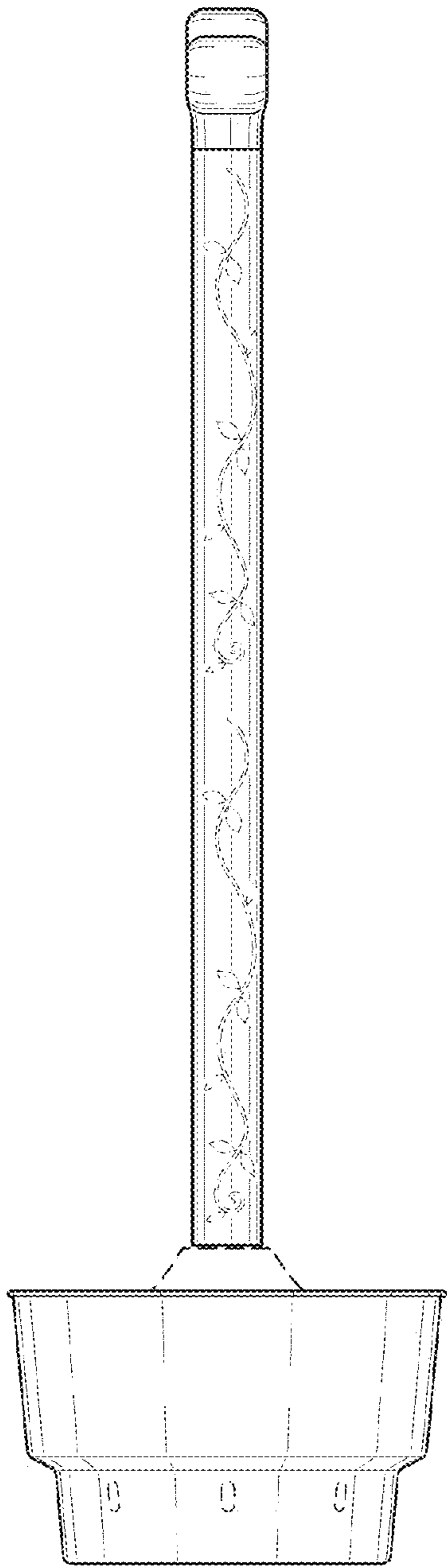
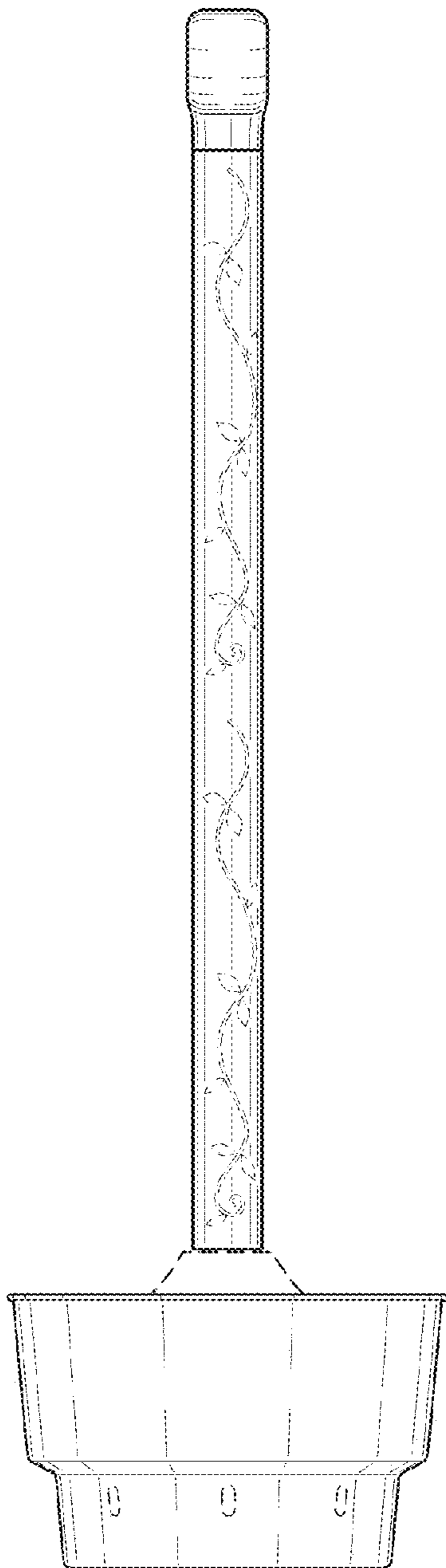


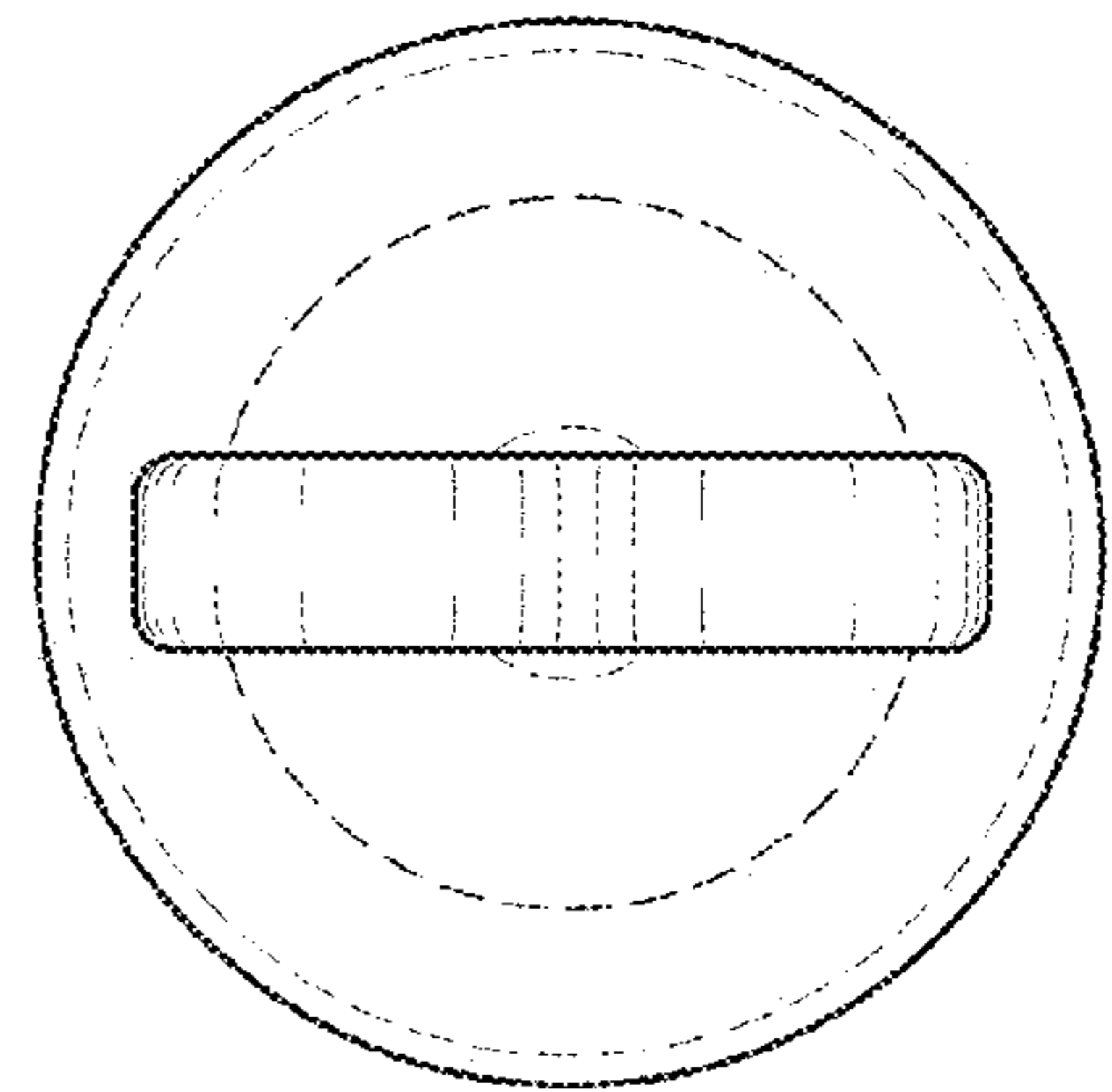
FIG. 3



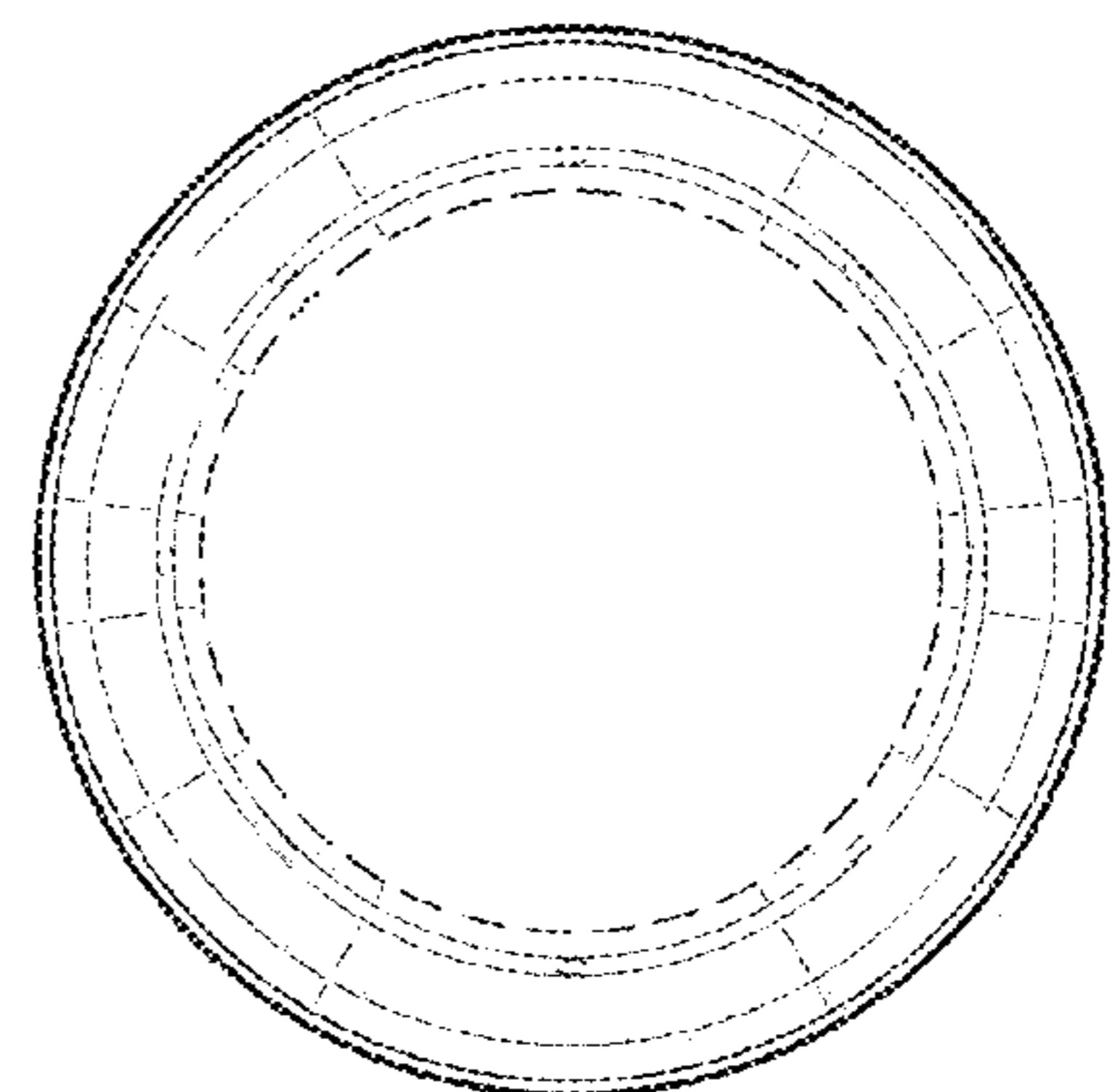
*FIG. 4*



*FIG. 5*



*FIG. 6*



*FIG. 7*