



US00D933910S

(12) **United States Design Patent**
Sun et al.

(10) **Patent No.:** **US D933,910 S**

(45) **Date of Patent:** **** Oct. 19, 2021**

(54) **WASHING MACHINE**

(71) Applicant: **WUXI LITTLE SWAN ELECTRIC CO., LTD.**, Wuxi (CN)

(72) Inventors: **Mingchao Sun**, Wuxi (CN); **Zhixia Song**, Wuxi (CN); **Yue Wu**, Wuxi (CN)

(**) Term: **15 Years**

(21) Appl. No.: **29/721,348**

(22) Filed: **Jan. 20, 2020**

(30) **Foreign Application Priority Data**

Oct. 15, 2019 (CN) 201930560369.1

(51) **LOC (13) Cl.** **15-05**

(52) **U.S. Cl.**
USPC **D32/6**

(58) **Field of Classification Search**
USPC D32/6, 8, 25, 28
CPC H02K 1/278; H02K 16/02; D06F 17/12;
D06F 35/00; D06F 37/12; D06F 39/088
See application file for complete search history.

(56) **References Cited**

U.S. PATENT DOCUMENTS

D648,084 S *	11/2011	Browne	D32/28
D648,085 S *	11/2011	Miller	D32/28
D648,497 S *	11/2011	Bhattacharya	D32/28
D695,474 S *	12/2013	Calmeise	D32/28
D699,907 S *	2/2014	Choi	D32/28
D705,508 S *	5/2014	Calmeise	D32/28
D758,033 S *	5/2016	Bixby	D32/25
D793,012 S *	7/2017	Bixby	D32/6
D798,510 S *	9/2017	Bixby	D32/6
D798,511 S *	9/2017	Bixby	D32/6
D818,219 S *	5/2018	Bixby	D32/6
D824,607 S *	7/2018	Bixby	D32/6
D824,608 S *	7/2018	Bixby	D32/6

D831,907 S *	10/2018	Bixby	D32/8
D833,091 S *	11/2018	Ayers	D32/6
D840,614 S *	2/2019	Bixby	D32/8
D847,444 S *	4/2019	Ayers	D32/6
D858,914 S *	9/2019	Bixby	D32/6
D867,692 S *	11/2019	Ayers	D32/6
D873,515 S *	1/2020	Bixby	D32/25
D894,507 S *	8/2020	Kim	D32/25
D916,401 S *	4/2021	Bixby	D32/6
D922,700 S *	6/2021	Kim	D32/8

(Continued)

OTHER PUBLICATIONS

Samsung Washing Machine <https://www.bestbuy.com/site/samsung-4-1-cu-ft-high-efficiency-top-load-washer-with-soft-close-lid-and-8-washing-cycles-white/6447506.p> (Year: 2021).*

(Continued)

Primary Examiner — Michelle E. Wilson
Assistant Examiner — Richard E. Yenchsky
(74) *Attorney, Agent, or Firm* — Kilpatrick Townsend & Stockton

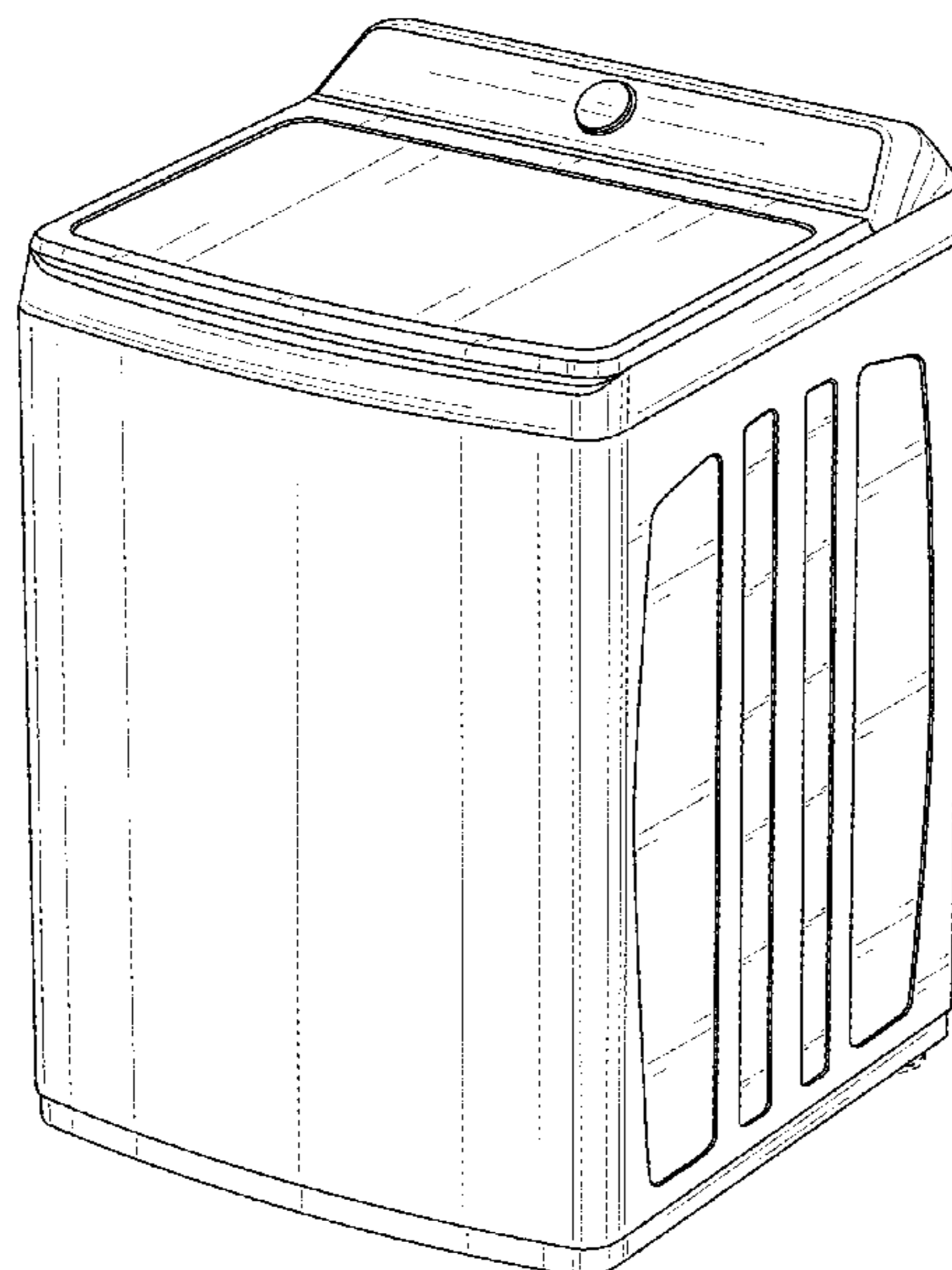
(57) **CLAIM**

The ornamental design of a washing machine, as shown and described.

DESCRIPTION

FIG. 1 is a front right perspective view of an embodiment of a washing machine, showing our new design; FIG. 2 is a front left perspective view. FIG. 3 is a front elevation view; FIG. 4 is a back elevation view thereof; FIG. 5 is a left elevation view thereof; FIG. 6 is a right elevation view thereof; FIG. 7 is a top plan view thereof; and, FIG. 8 is a bottom plan view thereof. The broken lines form no part of the claimed design.

1 Claim, 8 Drawing Sheets



(56)

References Cited

U.S. PATENT DOCUMENTS

2007/0107471 A1* 5/2007 Zaccone D06F 39/088
68/3 R
2013/0327101 A1* 12/2013 Leibman D06F 37/12
68/17 R
2015/0176171 A1* 6/2015 Kim D06F 17/12
68/152
2015/0211165 A1* 7/2015 Willey D06F 35/00
8/137
2019/0032266 A1* 1/2019 Miyake H02K 16/02
2020/0080246 A1* 3/2020 Miyake H02K 1/278

OTHER PUBLICATIONS

Washing Machine <https://www.bestbuy.com/site/samsung-4-1-cu-ft-high-efficiency-top-load-washer-with-soft-close-lid-and-8-washing-cycles-white/6447506.p> (Year: 2019).*

* cited by examiner

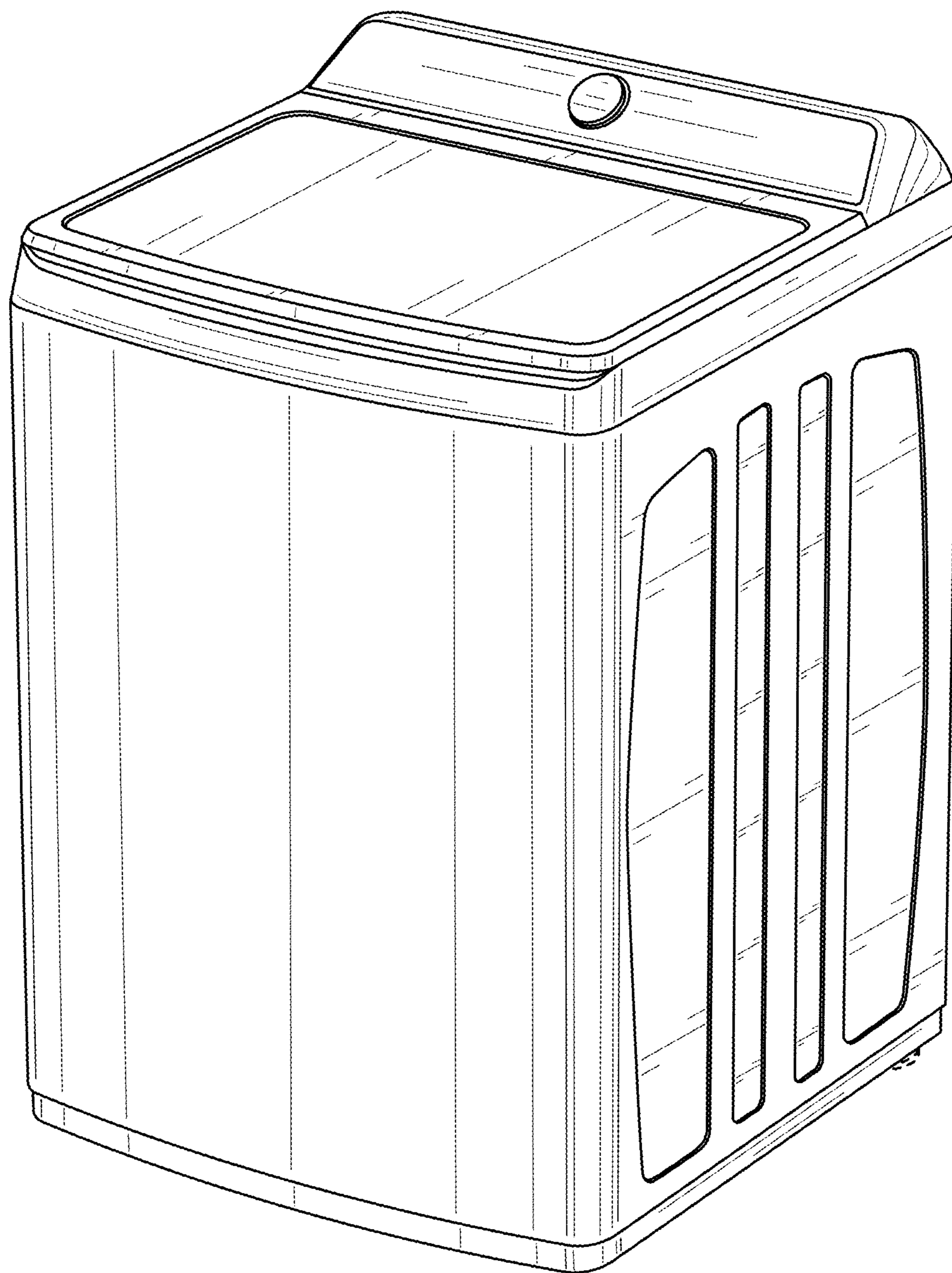


FIG. 1

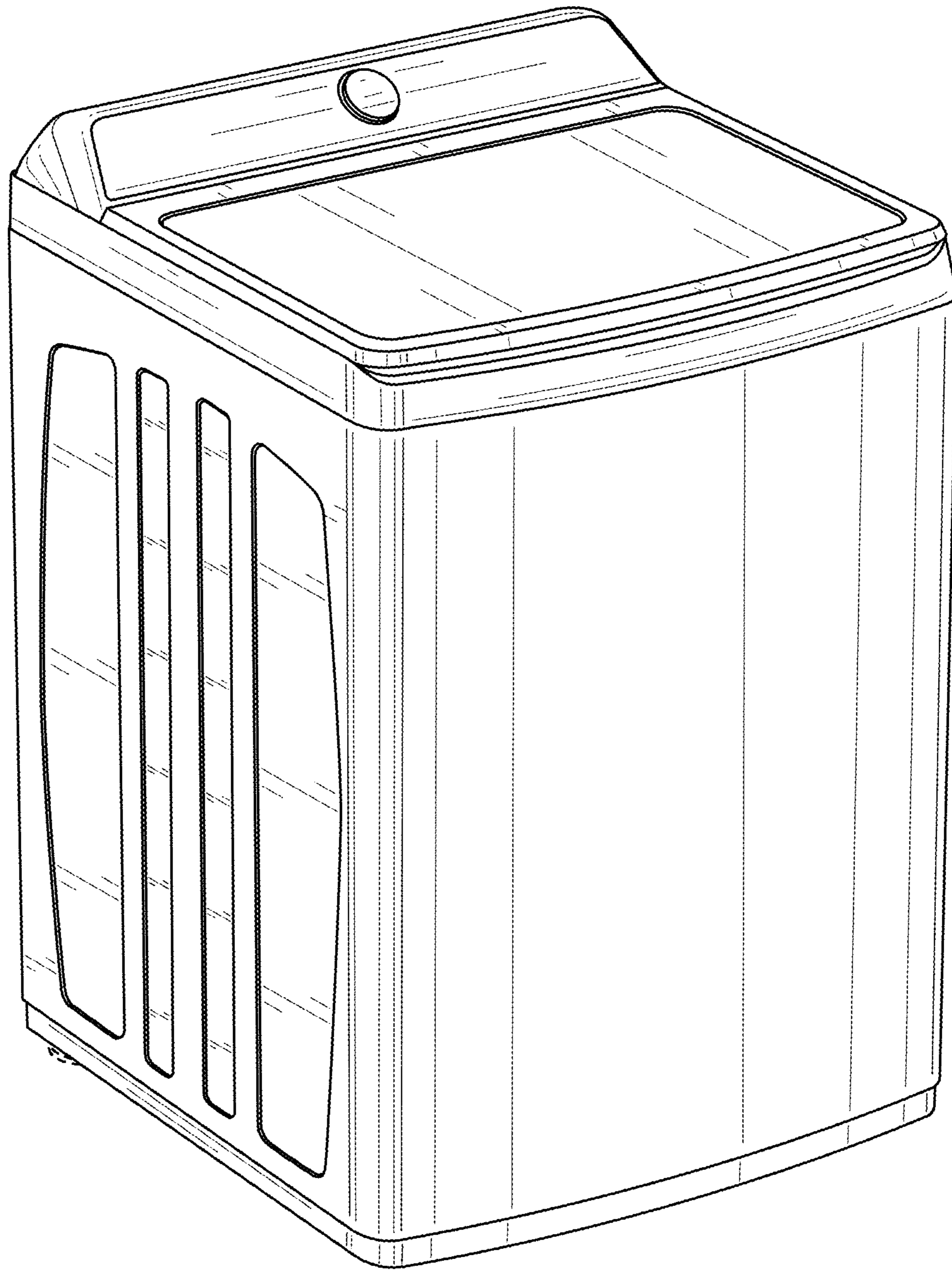


FIG. 2

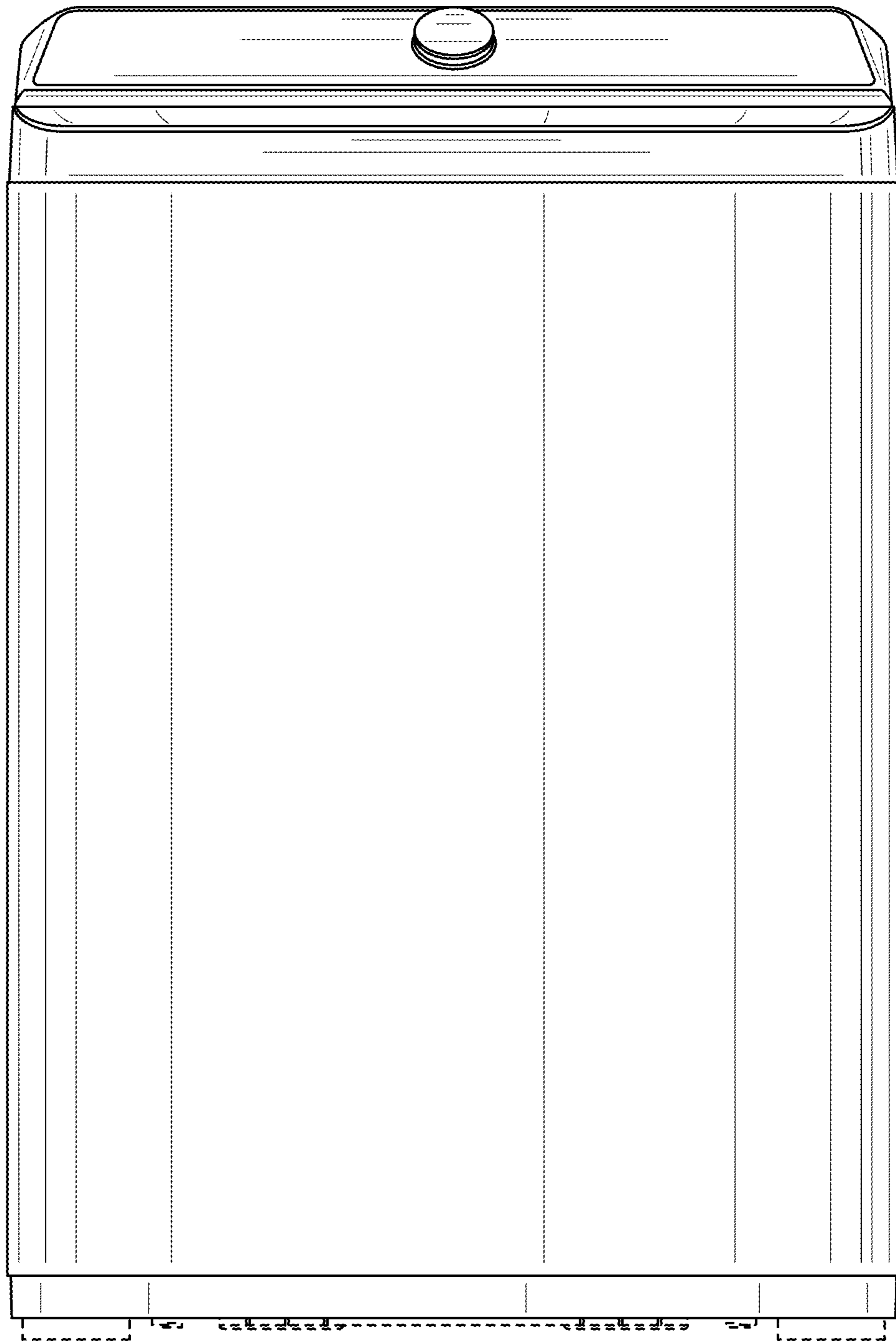


FIG. 3

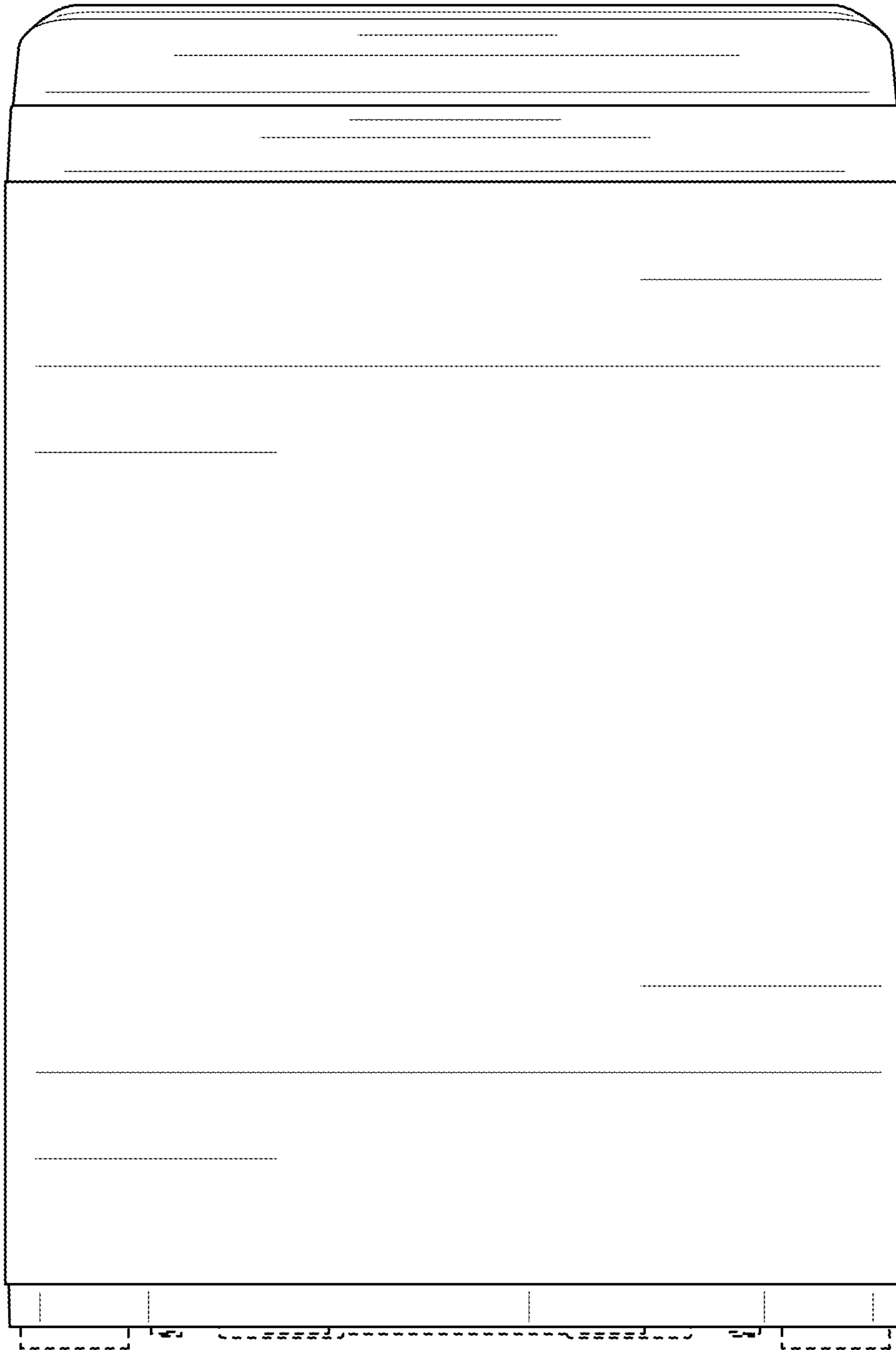


FIG. 4

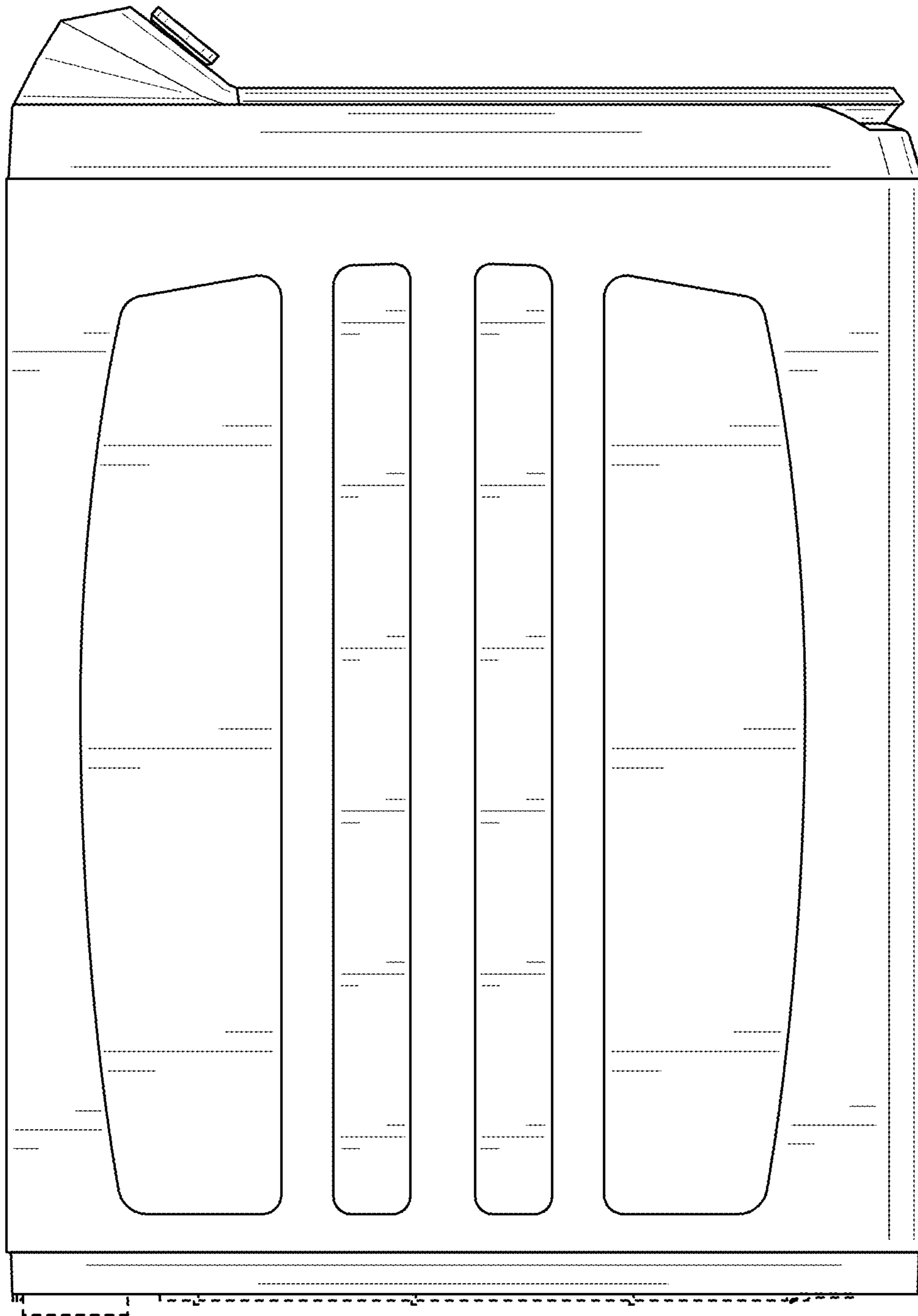


FIG. 5

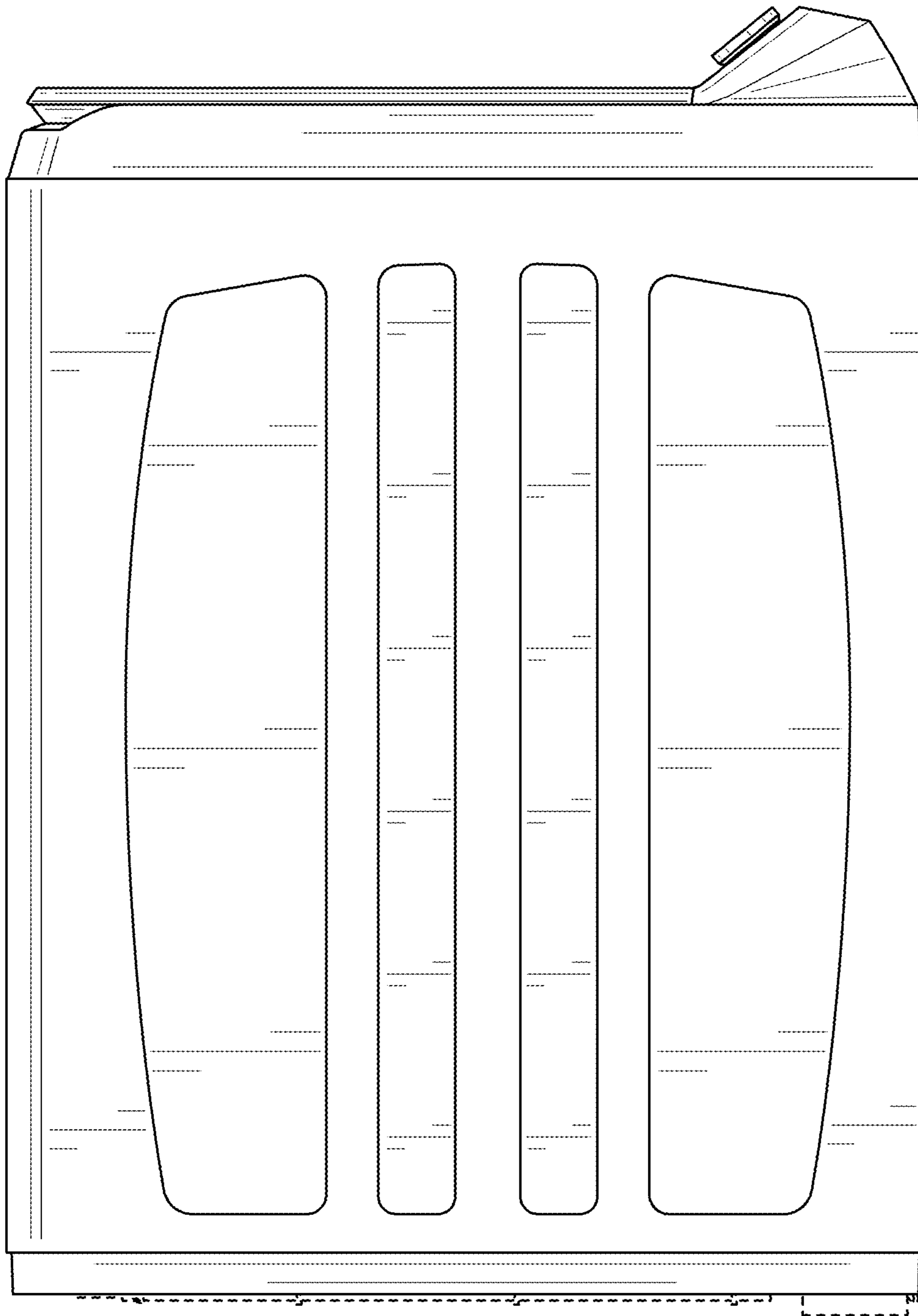


FIG. 6

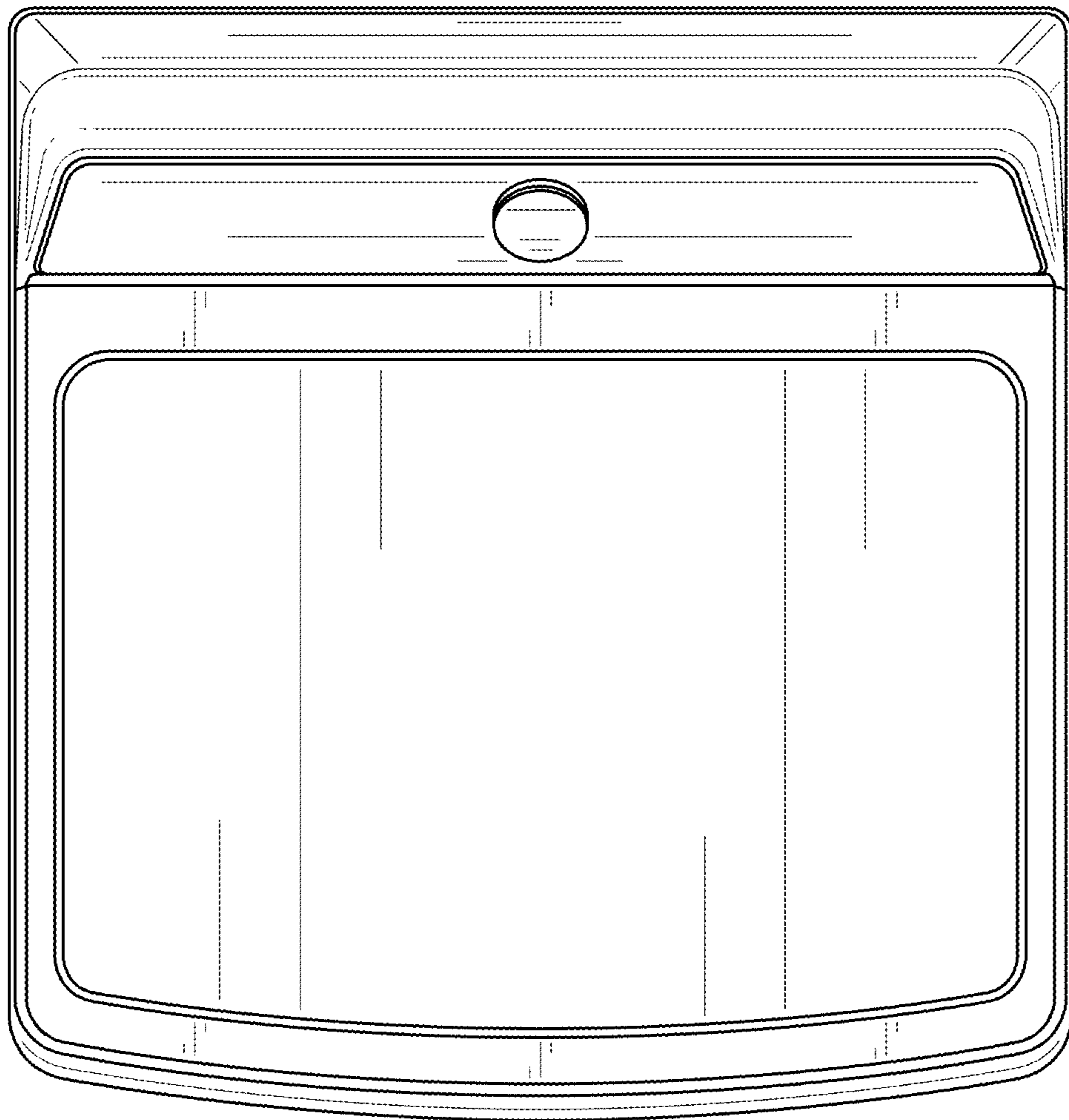


FIG. 7

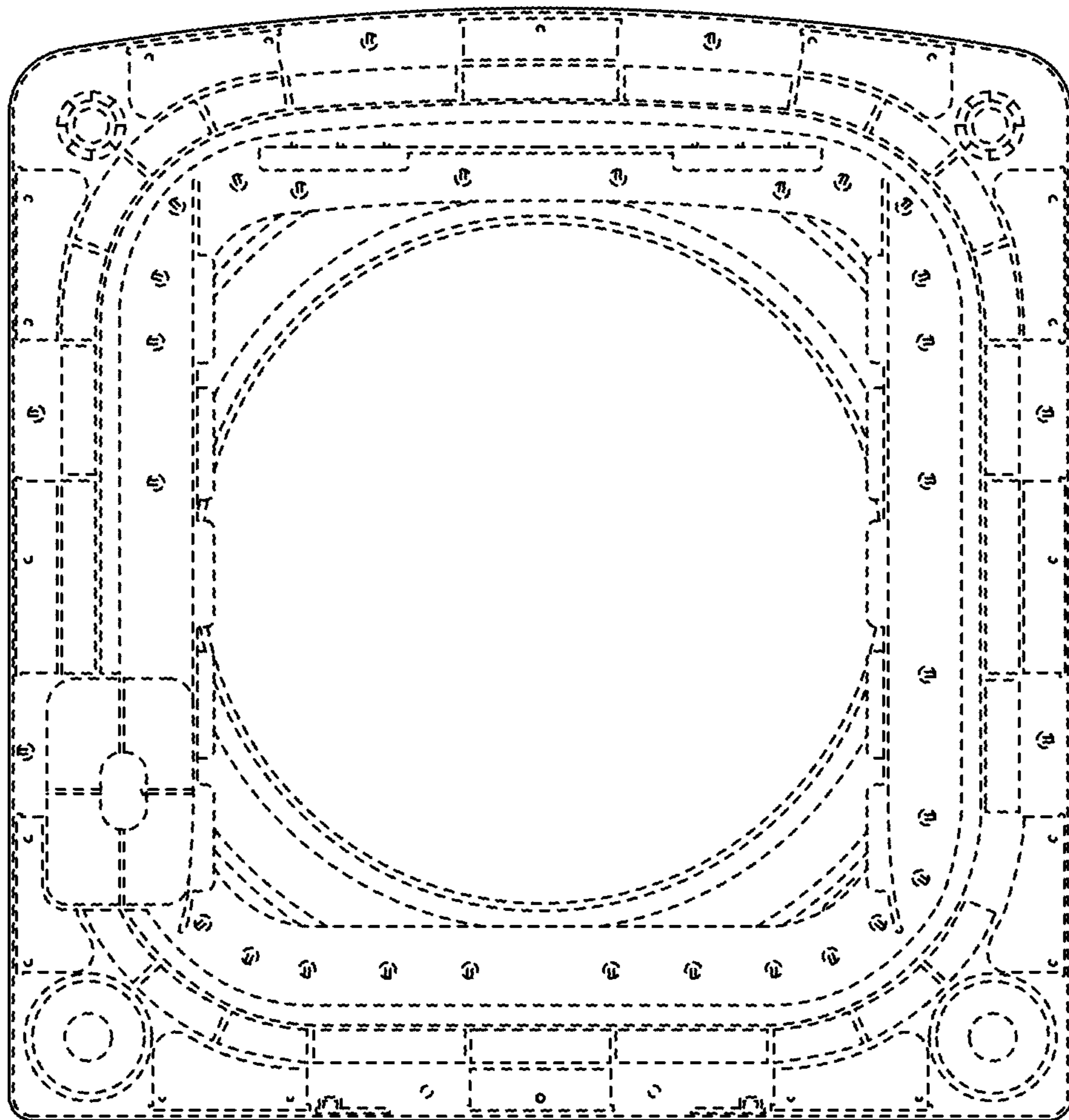


FIG. 8