



US00D933909S

(12) **United States Design Patent**  
**Kim et al.**

(10) **Patent No.:** **US D933,909 S**  
(45) **Date of Patent:** **\*\* Oct. 19, 2021**

(54) **DISHWASHER**

FOREIGN PATENT DOCUMENTS

(71) Applicant: **Samsung Electronics Co., Ltd.**,  
Suwon-si (KR)

CN 201630452790 10/2016  
IN 294152-0001 \* 2/2018

(Continued)

(72) Inventors: **Jaejun Kim**, Suwon-si (KR); **Yoonjoo Kwon**, Suwon-si (KR); **Kyuseok Kim**, Suwon-si (KR); **Daejong Kim**, Suwon-si (KR); **Gisung Han**, Suwon-si (KR)

OTHER PUBLICATIONS

Lowes Fisher Paykel drawer dishwasher review Aug. 2018, site visited Jun. 15, 2021, <https://www.lowes.com/pd/Fisher-Paykel-44-Decibel-Double-Drawer-Dishwasher-ENERGY-STAR-Common-24-Inch-Actual-23-5625-in/1000406141>.\*

(73) Assignee: **Samsung Electronics Co., Ltd.**,  
Suwon-si (KR)

*Primary Examiner* — John R Yeh

(\*\*) Term: **15 Years**

(74) *Attorney, Agent, or Firm* — NSIP Law

(21) Appl. No.: **29/690,778**

(57) **CLAIM**

(22) Filed: **May 10, 2019**

We claim the ornamental design for a dishwasher, as shown and described.

(30) **Foreign Application Priority Data**

**DESCRIPTION**

Jan. 21, 2019 (KR) ..... 30-2019-0003001

(51) **LOC (13) Cl.** ..... **15-05**

(52) **U.S. Cl.**  
USPC ..... **D32/3**

(58) **Field of Classification Search**  
USPC ..... D32/1-2, 5-6, 8-10, 15-17, 19, 25, 28,  
D32/29.1, 33, 35-36, 53  
CPC .. A61L 2/10; A61C 19/00; A47J 27/00; F26B  
11/02; E05B 65/0007; A47L 15/0084;  
D06F 39/00; D06F 34/28  
See application file for complete search history.

FIG. 1 is a front perspective view of a dishwasher showing our new design;  
FIG. 2 is a front view thereof;  
FIG. 3 is a rear view thereof;  
FIG. 4 is a left-side view thereof;  
FIG. 5 is a right-side view thereof;  
FIG. 6 is a top view thereof;  
FIG. 7 is a bottom view thereof;  
FIG. 8 is an enlarged view of the encircled portion in FIG. 1;  
FIG. 9 is a cross-sectional view taken along line 9-9 of FIG. 2; and,  
FIG. 10 is an enlarged view of the encircled portion in FIG. 9.  
The broken lines in the figures depict portions of the dishwasher which form no part of the claimed design.  
The dot-dash broken lines encircling portions of the claimed design that are illustrated in enlargements form no part of the claimed design.

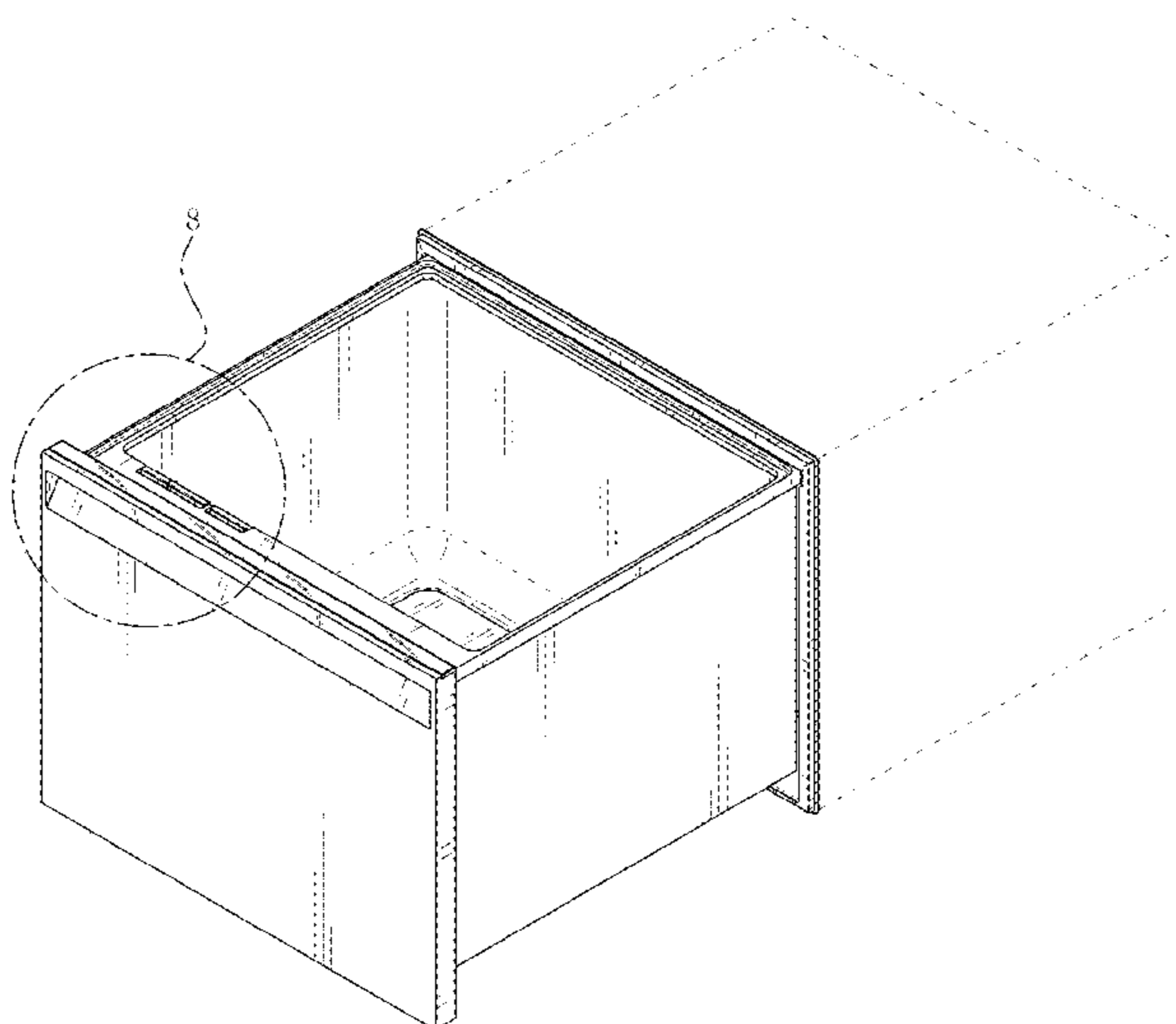
(56) **References Cited**

U.S. PATENT DOCUMENTS

D326,381 S \* 5/1992 Heiligenthal ..... D6/705  
D424,257 S \* 5/2000 Umeda ..... D32/2  
D456,571 S \* 4/2002 Richardson ..... D32/2  
D459,843 S \* 7/2002 Richardson ..... D32/3  
D549,408 S \* 8/2007 Lee ..... D32/25  
D620,211 S \* 7/2010 Shail ..... D32/25

(Continued)

**1 Claim, 10 Drawing Sheets**



(56)

**References Cited**

U.S. PATENT DOCUMENTS

D629,168	S	*	12/2010	Park	.....	D32/25
D633,670	S	*	3/2011	Grutzke	.....	D32/25
D637,371	S	*	5/2011	Sim	.....	D32/25
D663,497	S	*	7/2012	Ha	.....	D32/29.1
D684,735	S		6/2013	Eng et al.		
D697,681	S	*	1/2014	Chung	.....	D32/29.1
D748,874	S		2/2016	Roberson et al.		
D787,763	S	*	5/2017	Kim	.....	D32/29.1
D809,724	S	*	2/2018	Yoon	.....	D32/29.1
D816,283	S	*	4/2018	Lee	.....	D32/25
D818,220	S	*	5/2018	Yoo	.....	D32/6
D821,043	S	*	6/2018	Yoo	.....	D06F 58/10 D32/8
D828,661	S	*	9/2018	Joo	.....	D32/29.1
D857,765	S	*	8/2019	Kim	.....	D15/89
D882,194	S	*	4/2020	Bockos	.....	D32/29.1
D898,312	S	*	10/2020	Yoon	.....	D32/25
D917,811	S	*	4/2021	Kim	.....	D32/25
2012/0306334	A1	*	12/2012	Cosgrove	.....	A47L 15/0084 312/237
2016/0273150	A1	*	9/2016	Del Pos	.....	D06F 34/28

FOREIGN PATENT DOCUMENTS

KR	30-2016-0053420	7/2017
KR	30-2018-0000122	10/2018

\* cited by examiner

FIG. 1

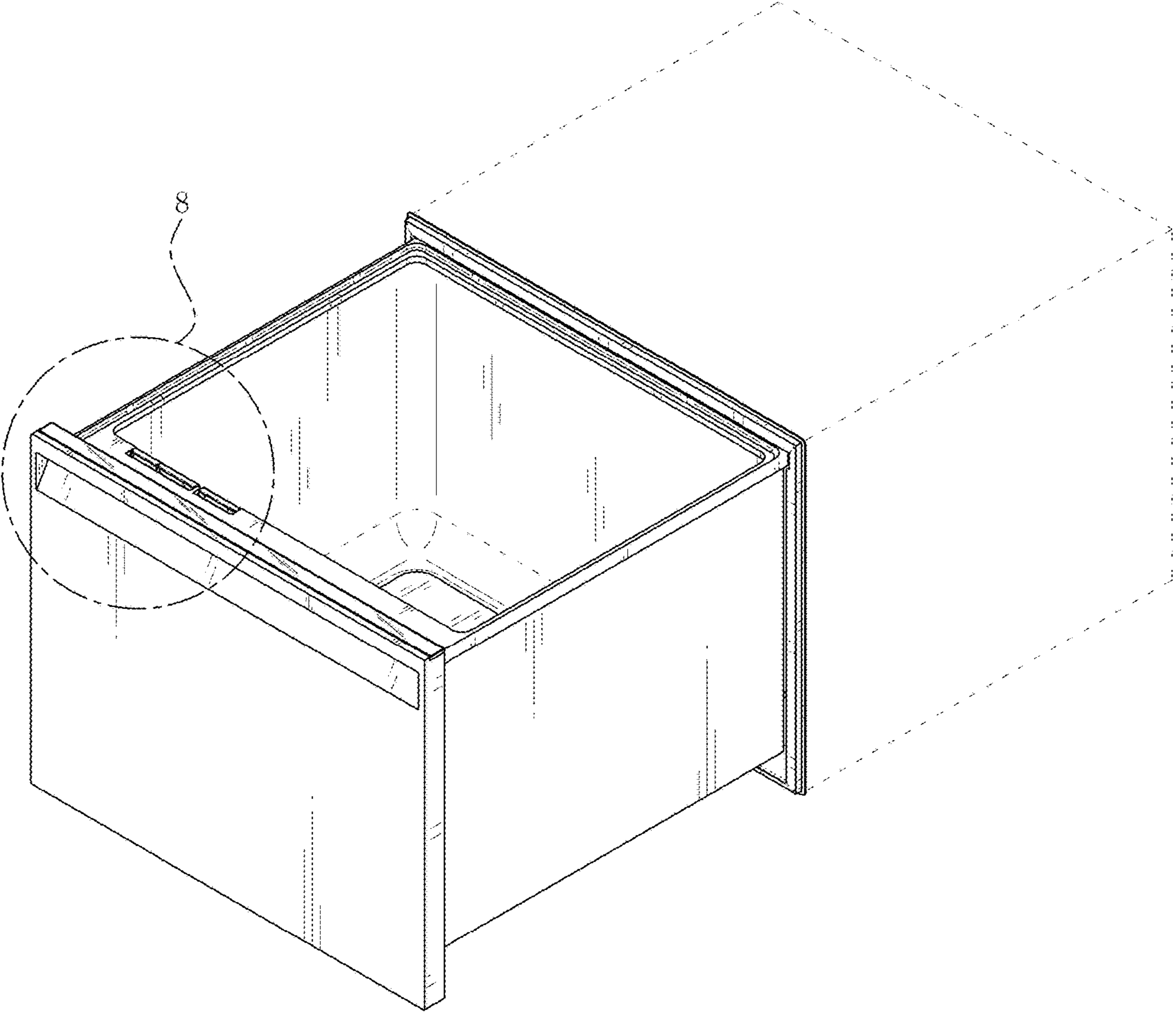


FIG. 2

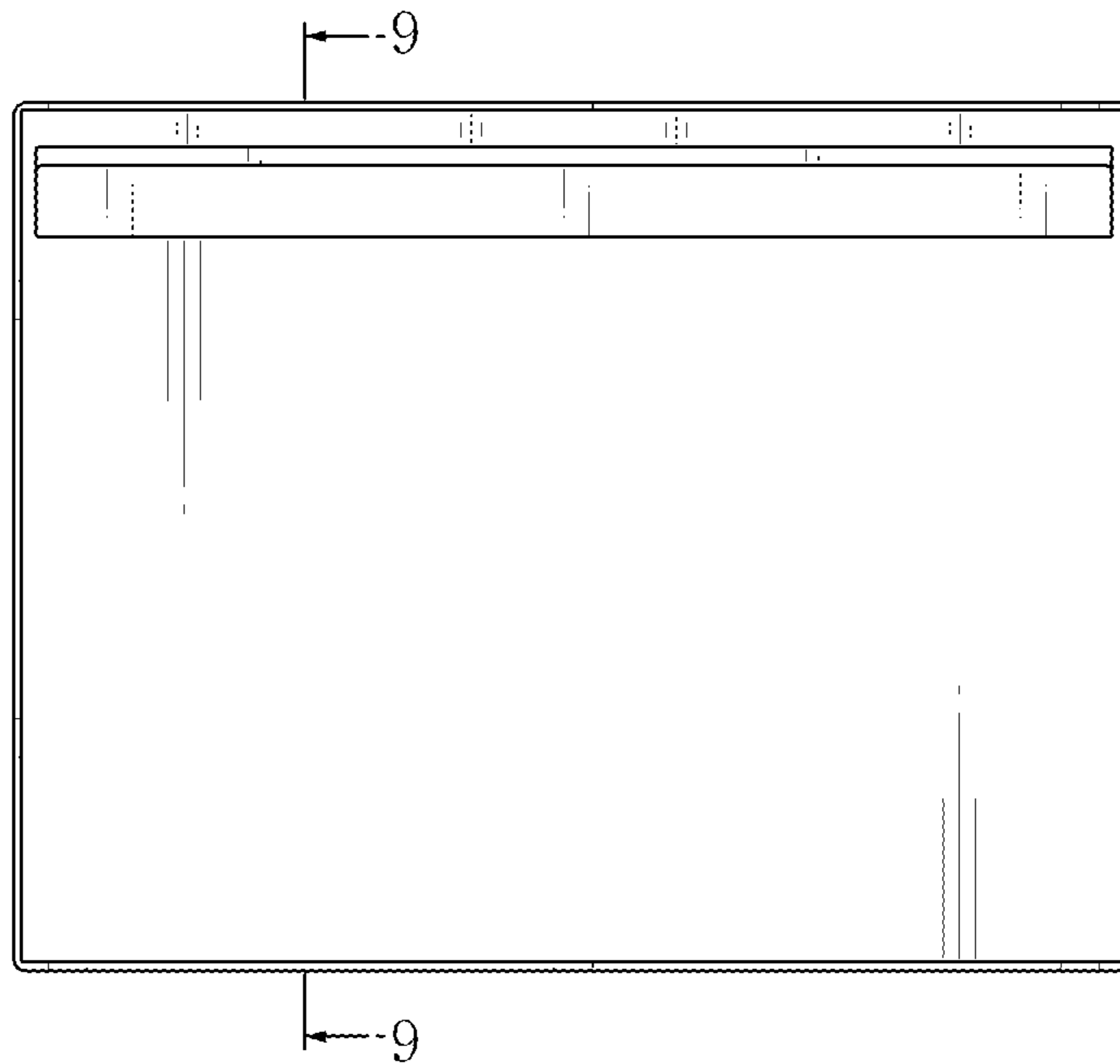


FIG. 3



FIG. 4

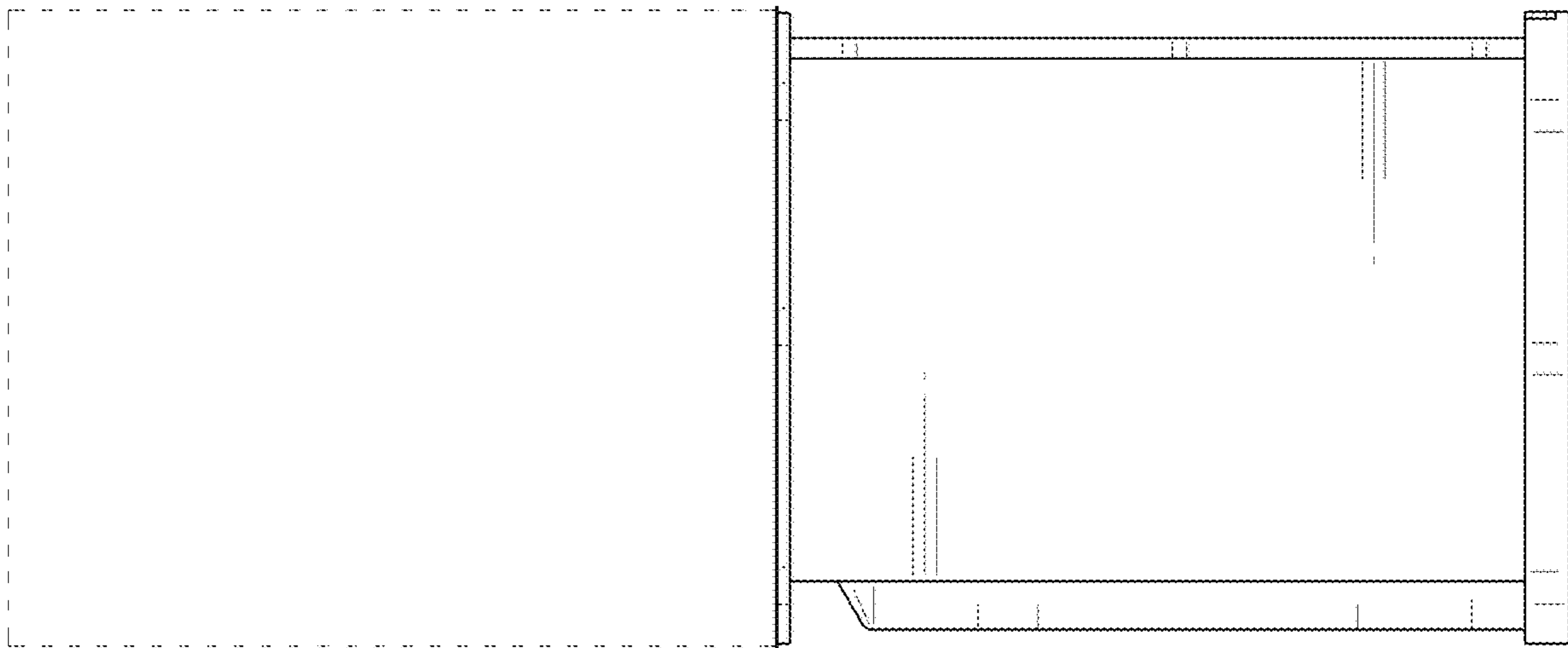


FIG. 5

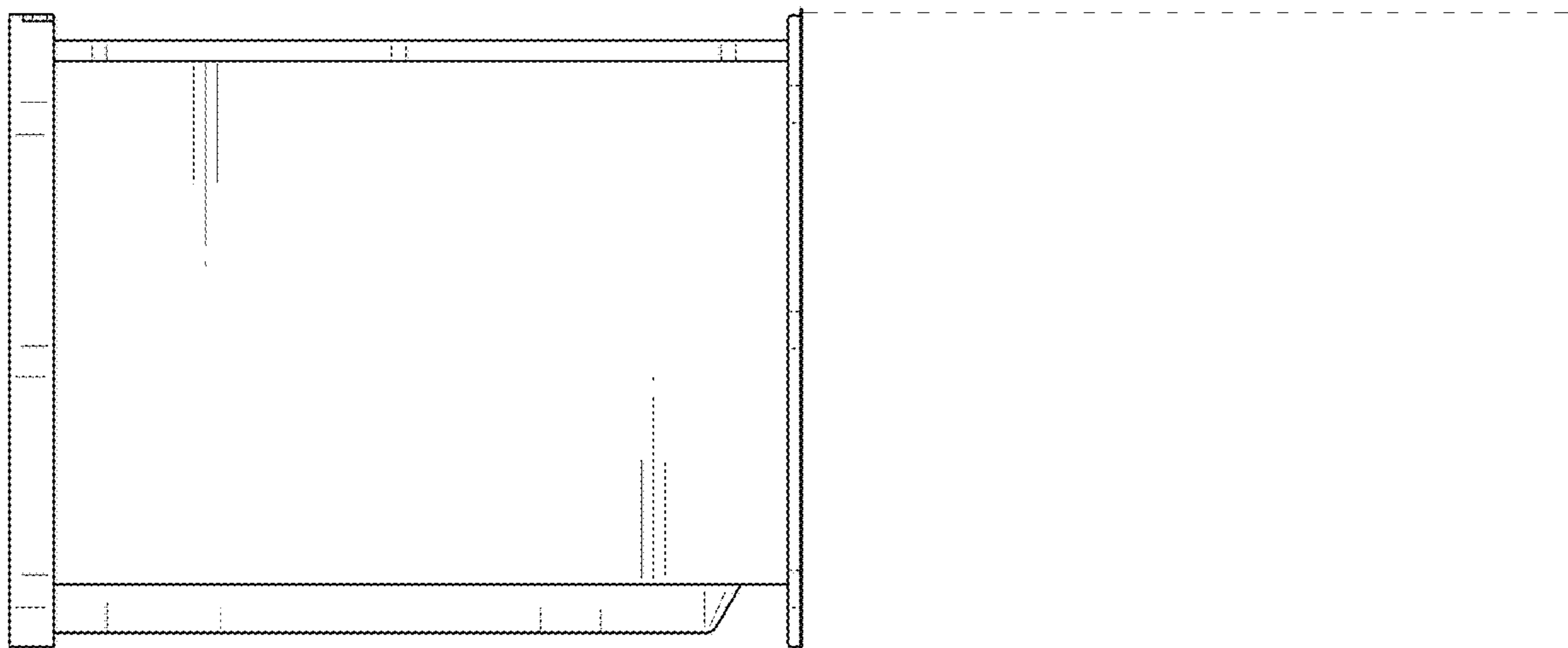


FIG. 6

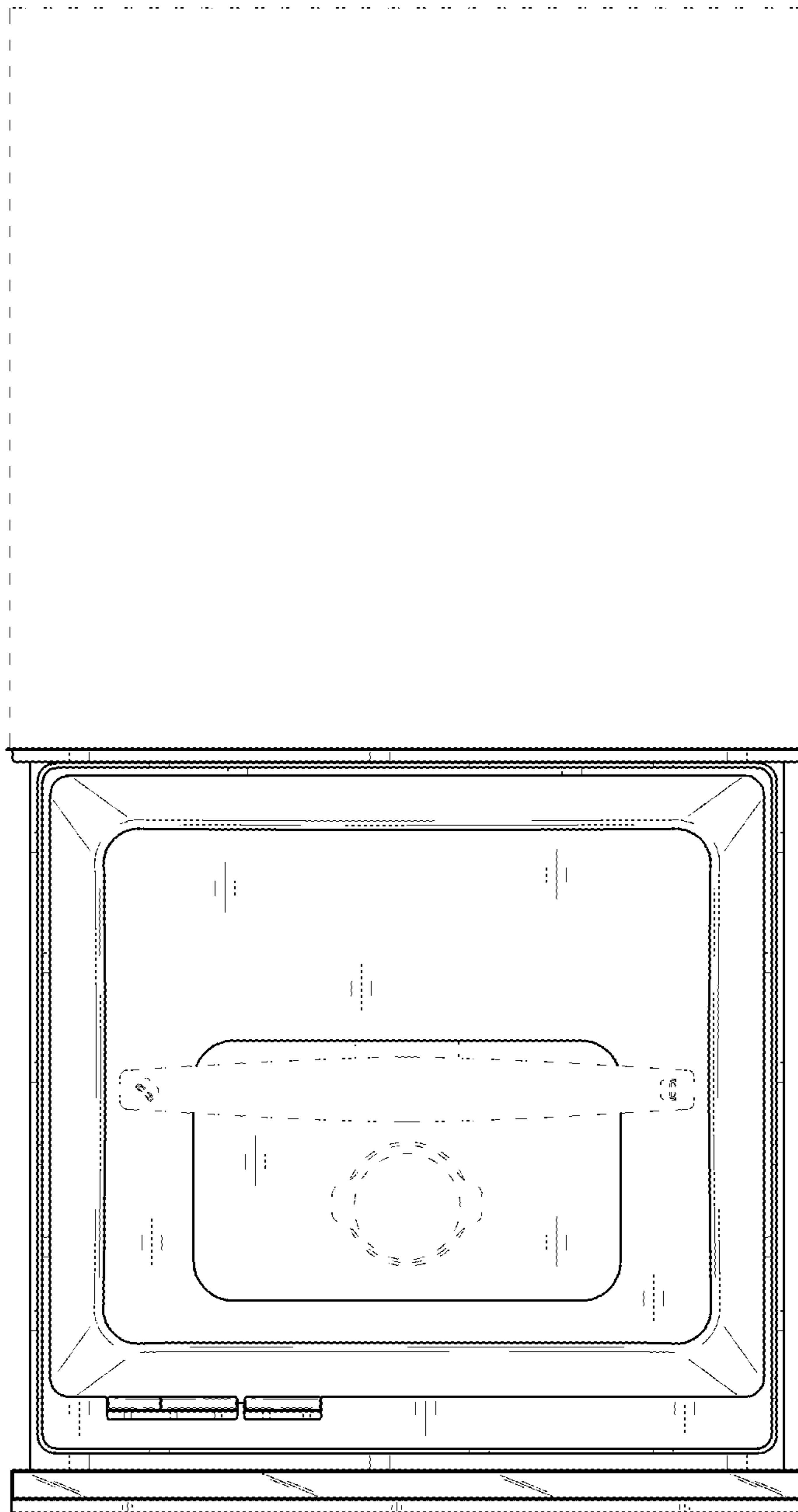




FIG. 7

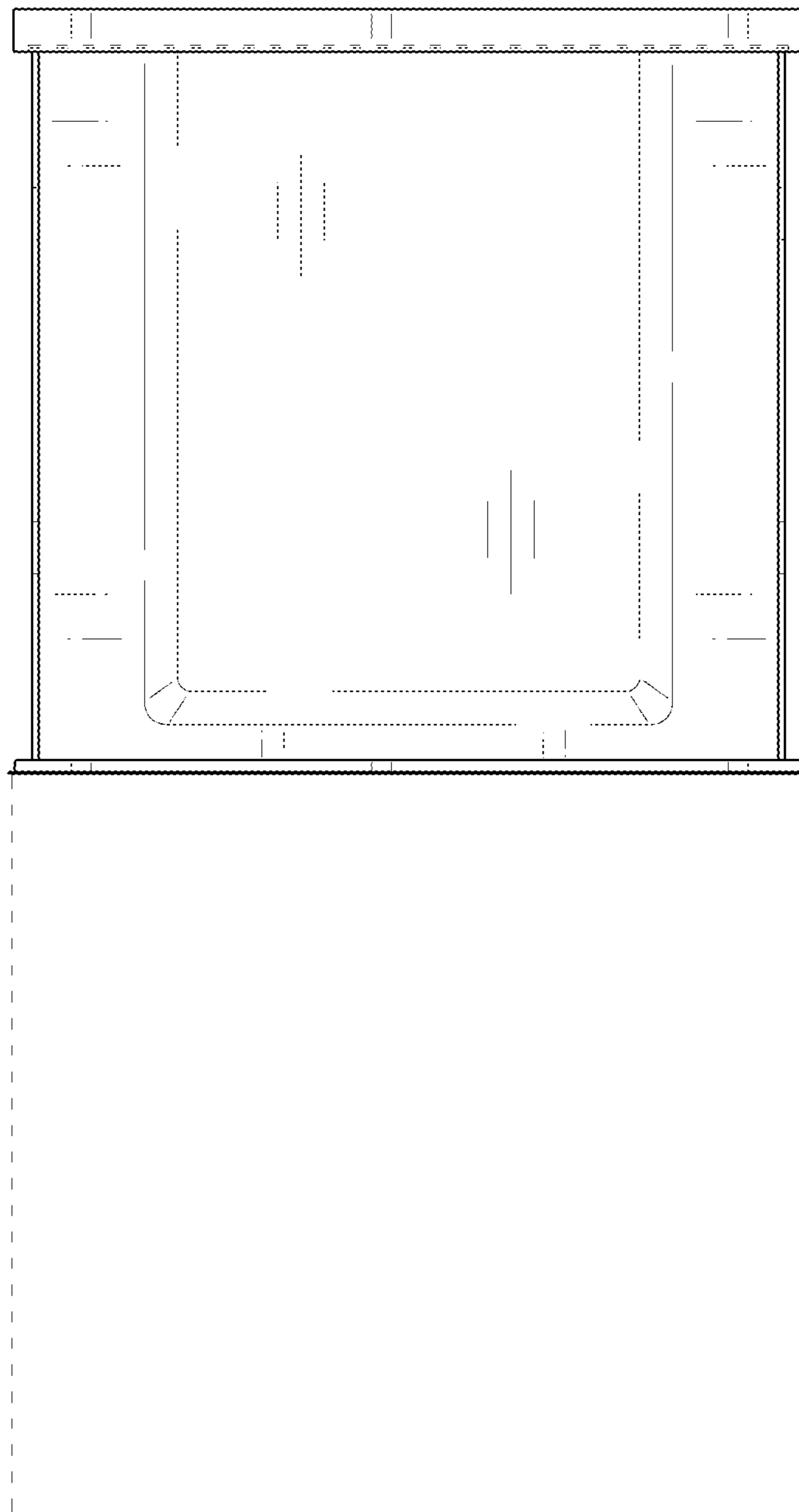


FIG. 8

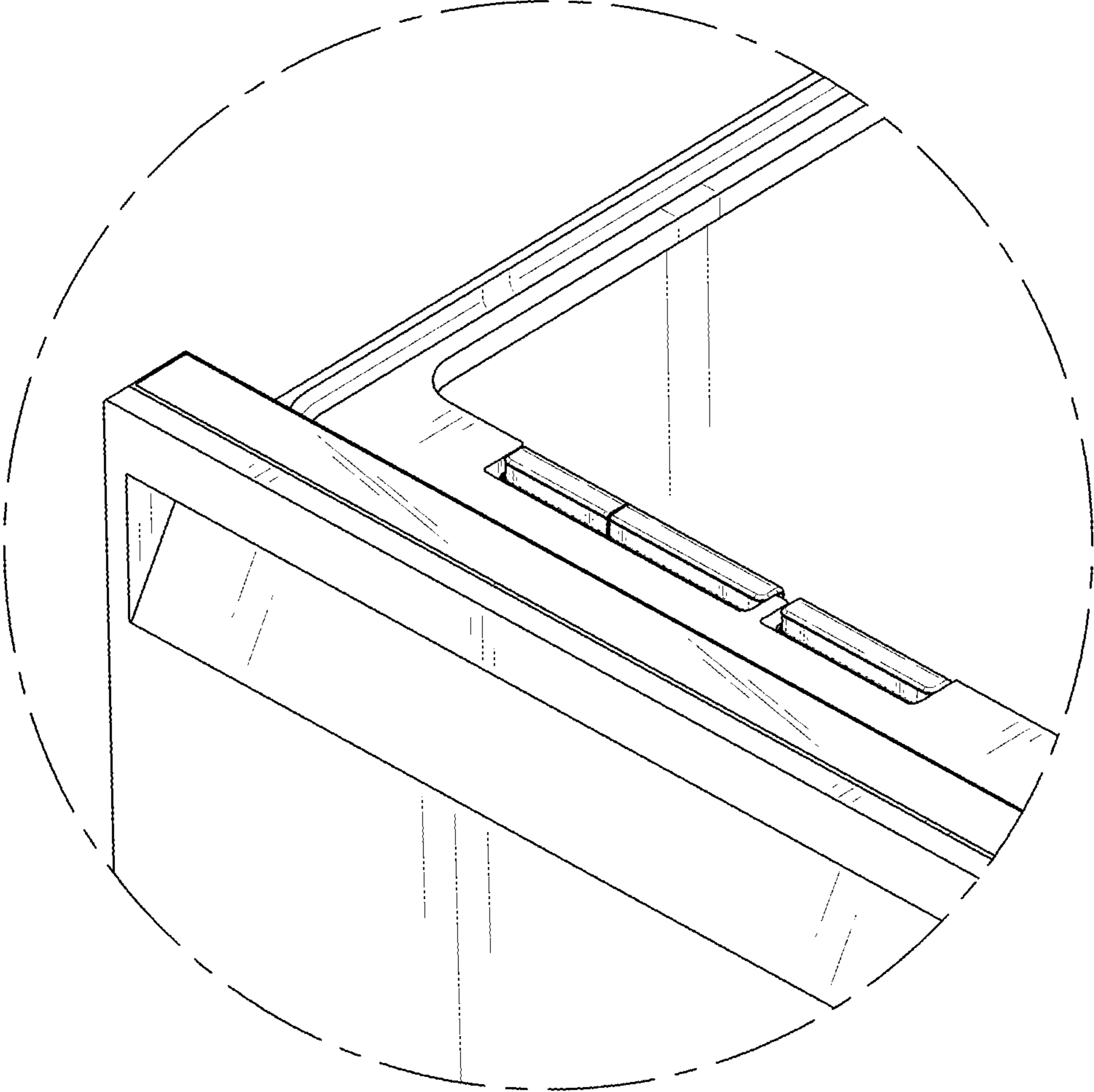


FIG. 9

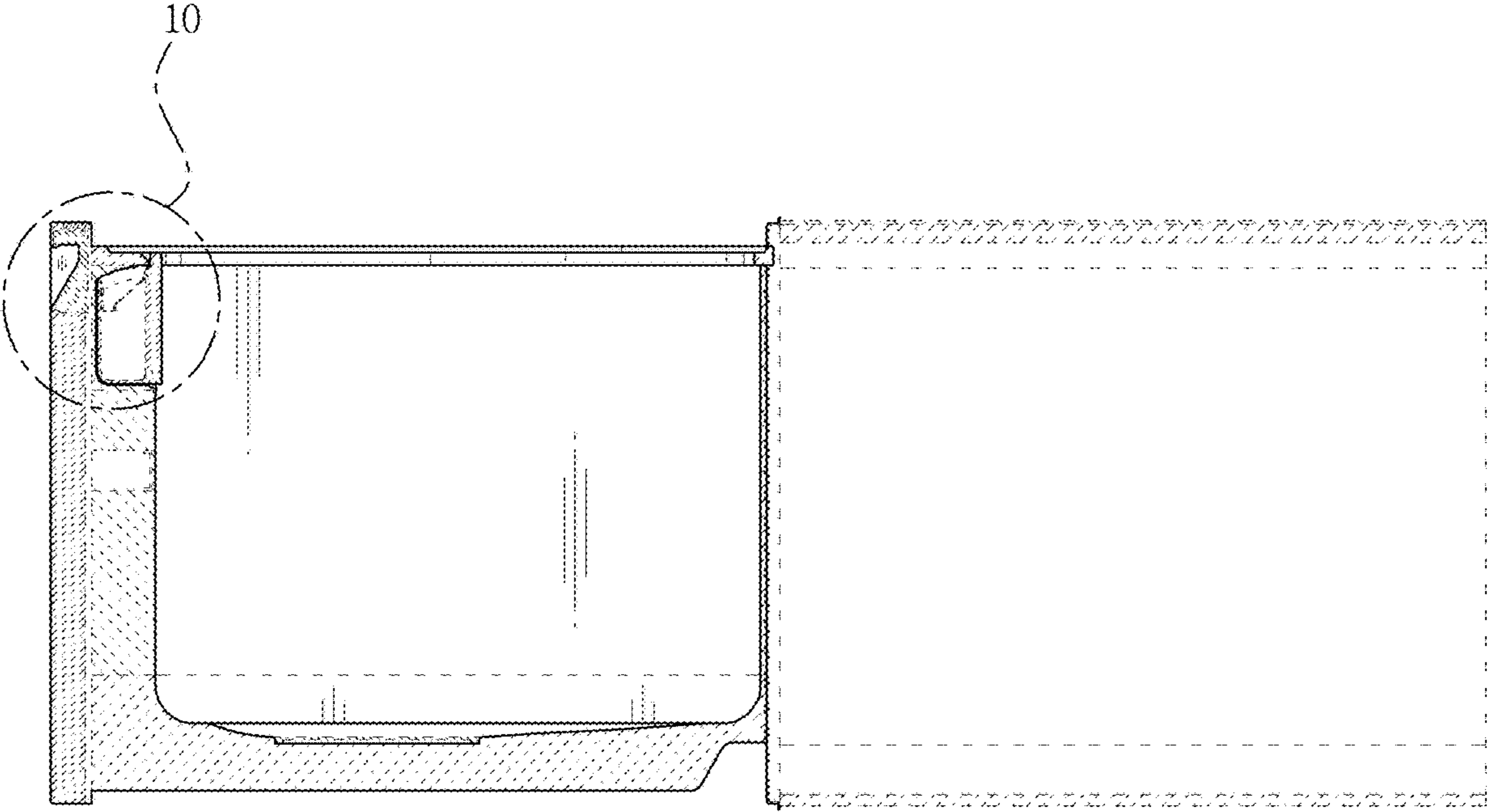


FIG. 10

