



US00D933906S

(12) **United States Design Patent** (10) **Patent No.:** **US D933,906 S**
Zhu (45) **Date of Patent:** **** Oct. 19, 2021**

(54) **PET NAIL TRIMMER**

(71) Applicant: **Zhehao Zhu**, Shenzhen (CN)

(72) Inventor: **Zhehao Zhu**, Shenzhen (CN)

(**) Term: **15 Years**

(21) Appl. No.: **29/734,699**

(22) Filed: **May 14, 2020**

(51) **LOC (13) Cl.** **30-99**

(52) **U.S. Cl.**
USPC **D30/158**

(58) **Field of Classification Search**

USPC D30/158, 199; D28/60; 119/600; 30/26,
30/109, 111, 114, 115, 123.5

CPC A01K 13/00; A01K 17/00; A45D 29/02;
A45D 29/05; A45D 29/18

See application file for complete search history.

(56) **References Cited**

U.S. PATENT DOCUMENTS

D326,165 S *	5/1992	Leihe	D28/60
D615,254 S *	5/2010	Manheimer, III	D30/158
D780,998 S	3/2017	Yiu	
10,173,332 B1 *	1/2019	Zhu	A01K 13/00
D855,904 S *	8/2019	Zhu	D30/158
10,506,796 B1 *	12/2019	Lee	A45D 29/02
D897,054 S *	9/2020	Wu	D30/158
D903,953 S *	12/2020	Liu	D30/158
D903,954 S *	12/2020	Wu	D30/158
D906,604 S *	12/2020	Yan	D30/158
D908,983 S *	1/2021	Zhao	D30/158
D923,886 S *	6/2021	Wang	D30/158
2017/0245469 A1 *	8/2017	Contreras	A01K 13/003
2019/0320616 A1 *	10/2019	Jacobowitz	A45D 29/02

OTHER PUBLICATIONS

“2020 pet product Dog & Cat Pets Nail Clippers and Trimmers”
available Jul. 26, 2021, [online], [site visited Jul. 26, 2021]. Retrieved

from Internet, URL: <https://www.globalsources.com/si/AS/Holytachi-CoLtd/6008853725920/pdt/dog-nail-clipper/1173967615.htm> (Year: 2021).*

“Pawsibility” available Aug. 19, 2020, [online], [site visited Jul. 26, 2021]. Retrieved from Internet, URL: https://www.amazon.com/Pawsibility-Reinvented-Clipper-Ultra-Bright/dp/B08FHWQ3NF/ref=sr_1_35 (Year: 2020).*

“Peroom Dog Nail Grinder” available Sep. 21, 2020, [online], [site visited Jul. 30, 2021]. Retrieved from Internet, URL: https://www.amazon.com/Peroom-Portable-Clippers-Rechargeable-Electric/dp/B08JLJ3M78/ref=pd_di_scai_17/138-7926744-6800634 (Year: 2020).*

“Amzdest 2021 Newest Dog Nail Clippers” available Nov. 28, 2020, [online], [site visited Jul. 30, 2021]. Retrieved from Internet, URL: https://www.amazon.com/Amzdest-Clippers-Electric-Rechargeable-Professional/dp/B08P8LDS97/ref=pd_di_scai_29/138-7926744-6800634 (Year: 2020).*

* cited by examiner

Primary Examiner — W. A. Teddy Falloway

Assistant Examiner — Katrina N Gonzalez

(57) **CLAIM**

The ornamental design for a pet nail trimmer, as shown and described.

DESCRIPTION

FIG. 1 is a first perspective view of a pet nail trimmer showing my new design;

FIG. 2 is a second perspective view thereof;

FIG. 3 is a front elevational view thereof;

FIG. 4 is a rear elevational view thereof;

FIG. 5 is a left elevational view thereof;

FIG. 6 is a right elevational view thereof;

FIG. 7 is a top plan view thereof;

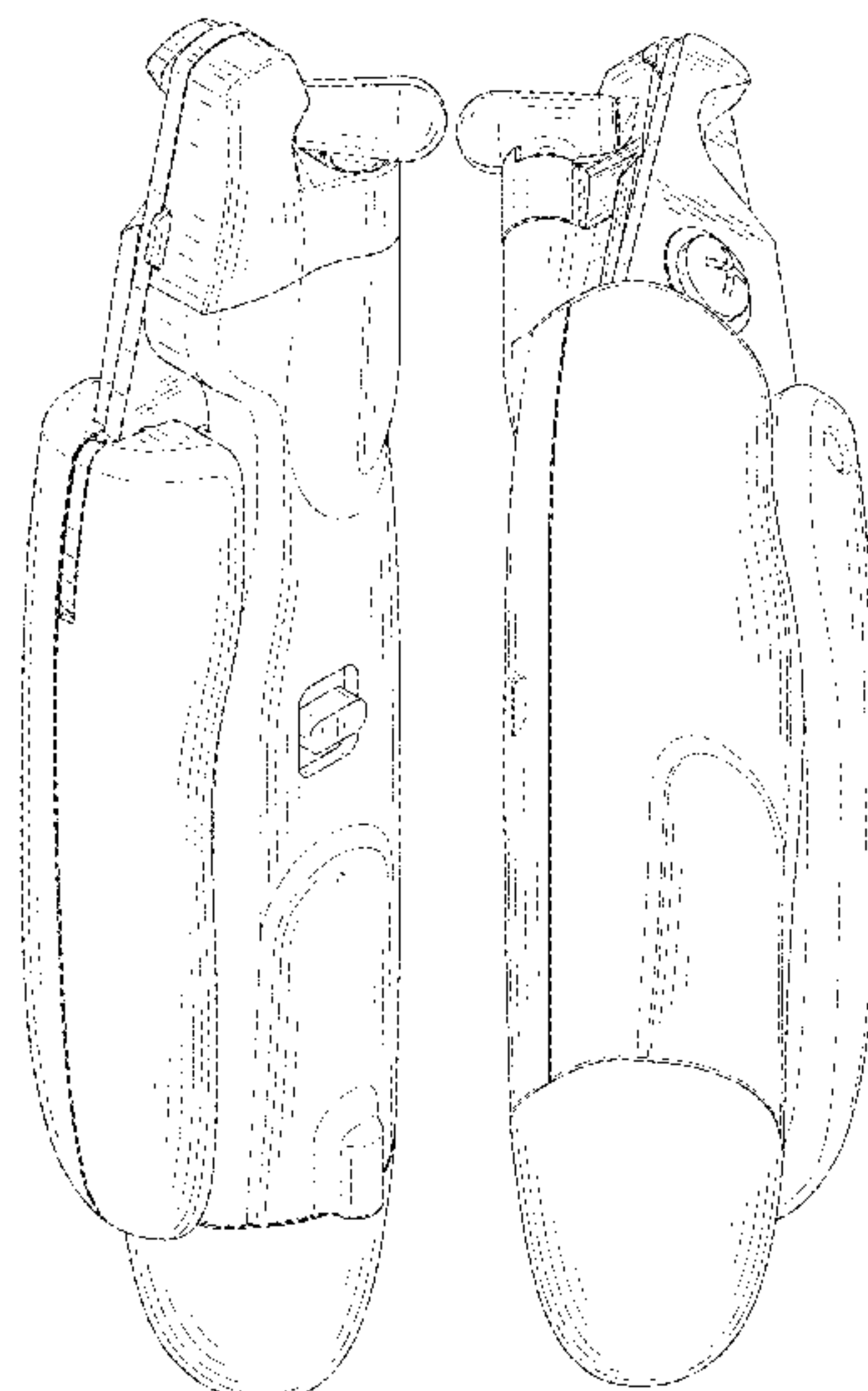
FIG. 8 is a bottom plan view thereof;

FIG. 9 is a perspective view thereof shown in a state of use; and,

FIG. 10 is an exploded view of FIG. 2.

The broken lines in the drawings illustrate portions of the pet nail trimmer which form no part of the claimed design.

1 Claim, 10 Drawing Sheets



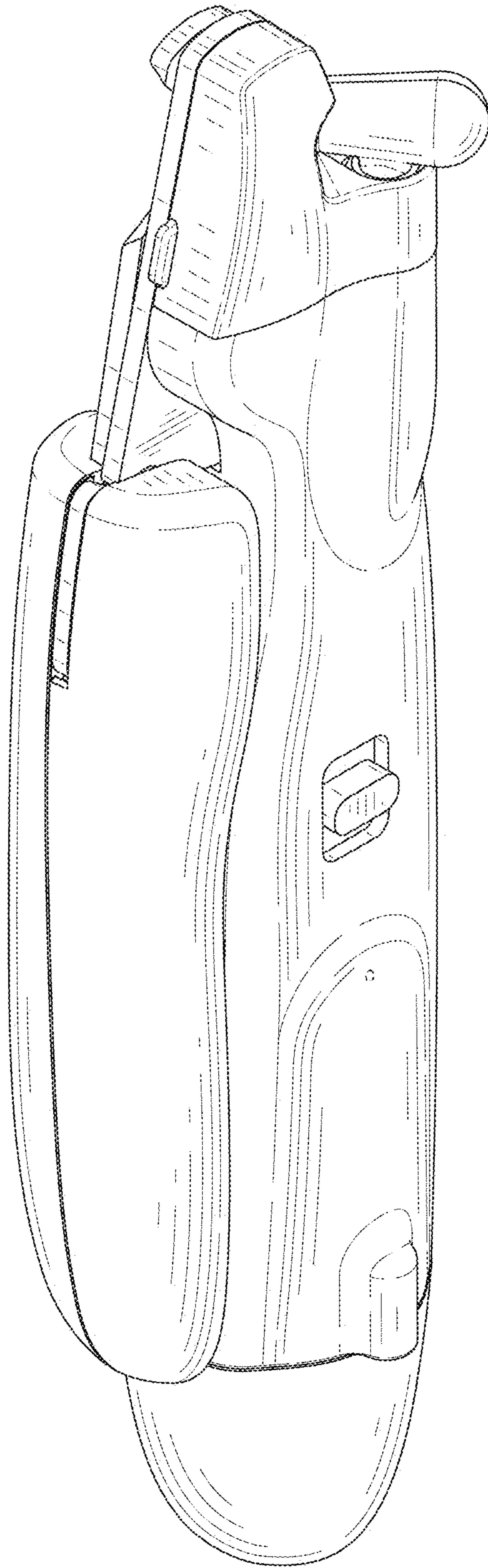


FIG. 1

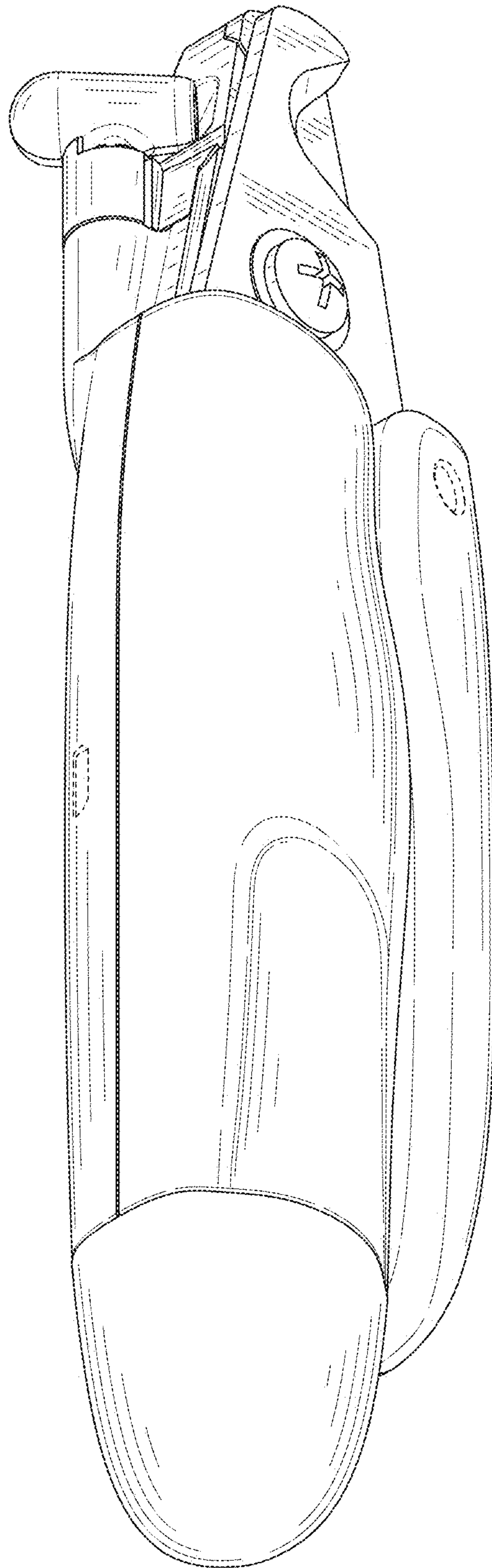


FIG. 2

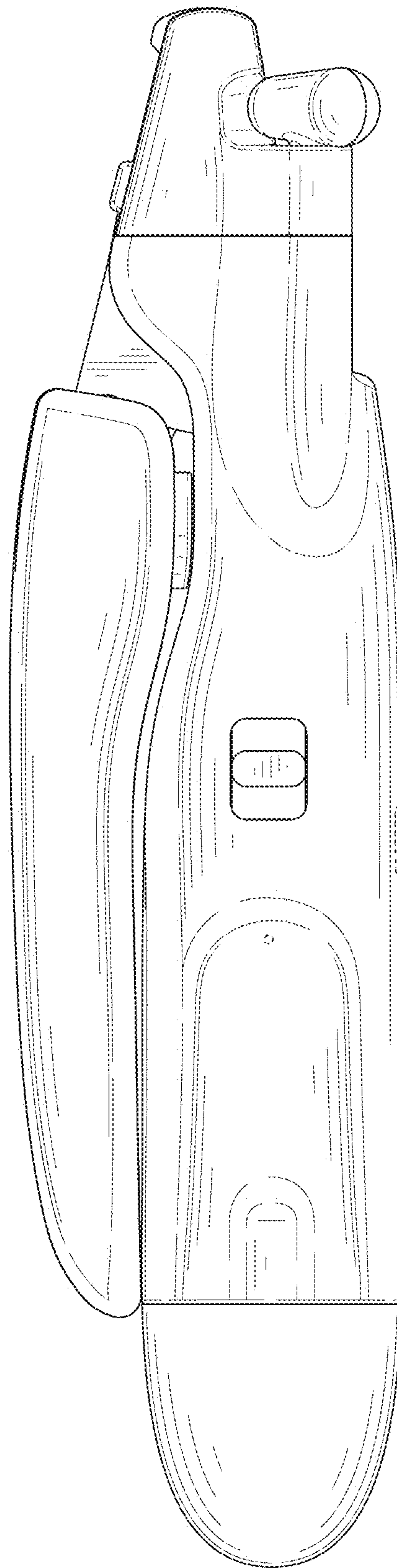


FIG. 3

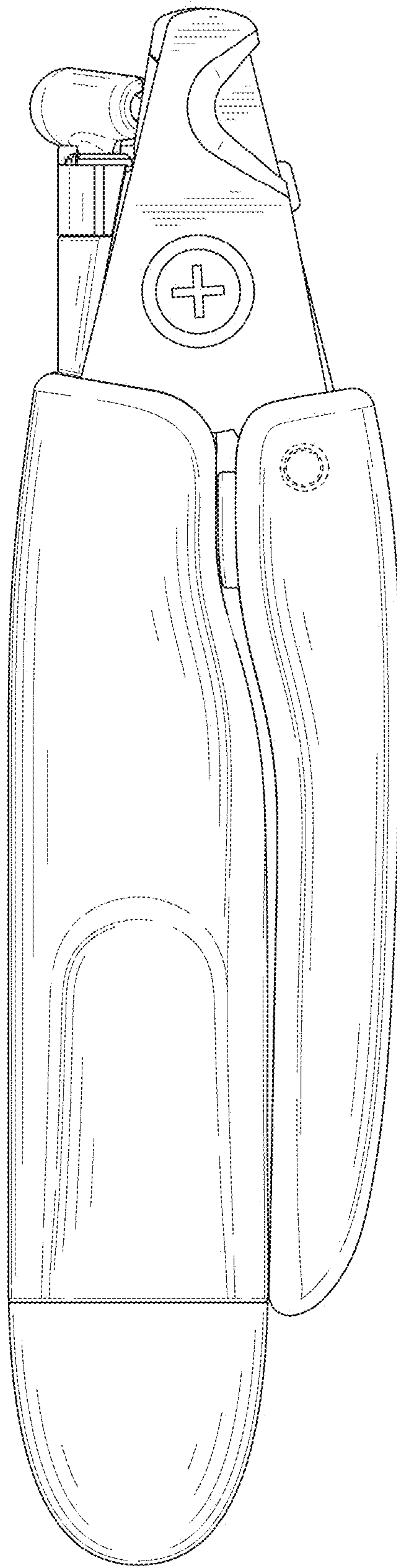


FIG. 4

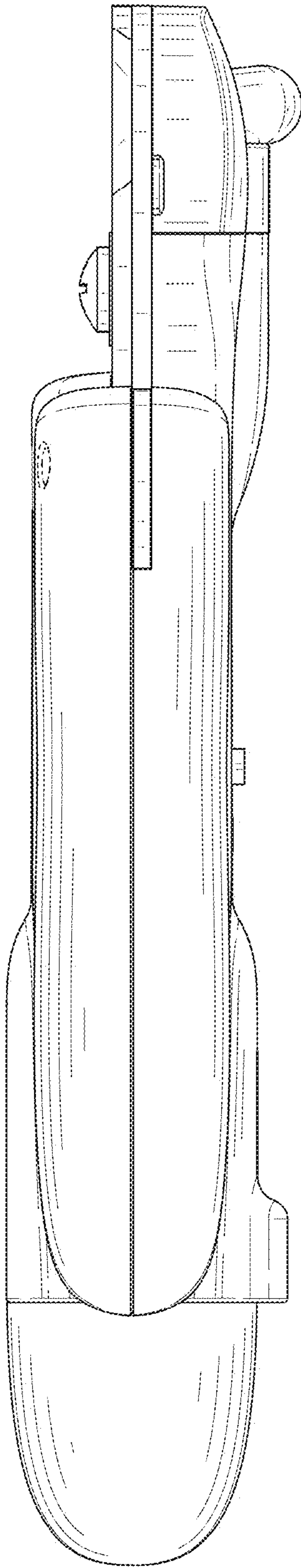


FIG. 5

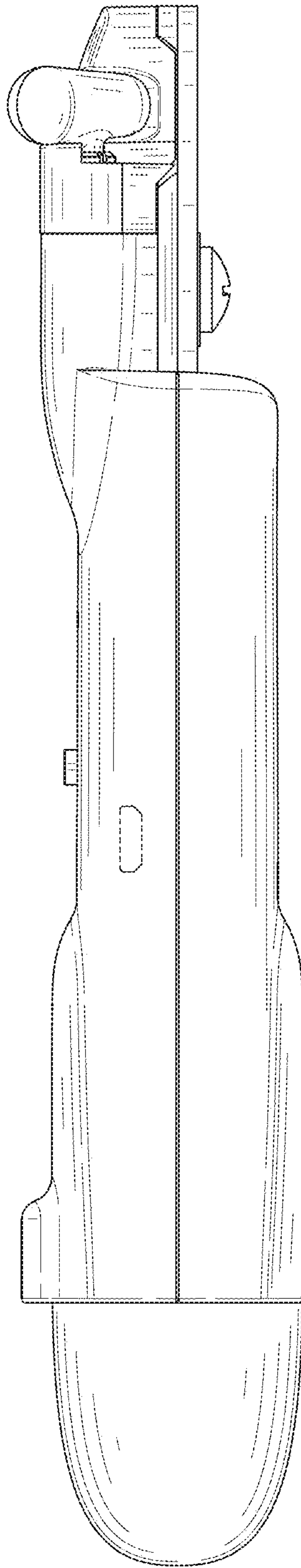


FIG. 6

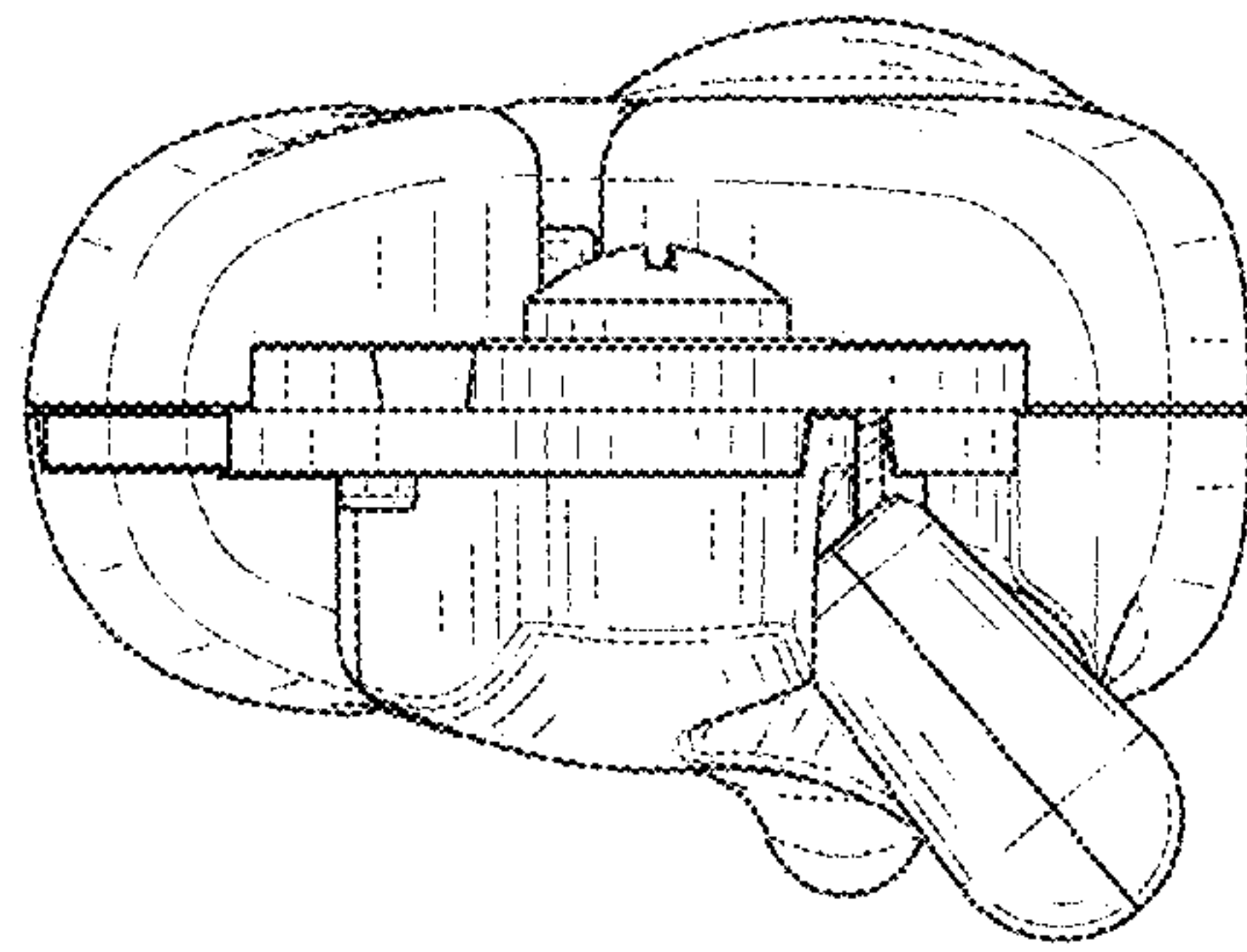


FIG. 7

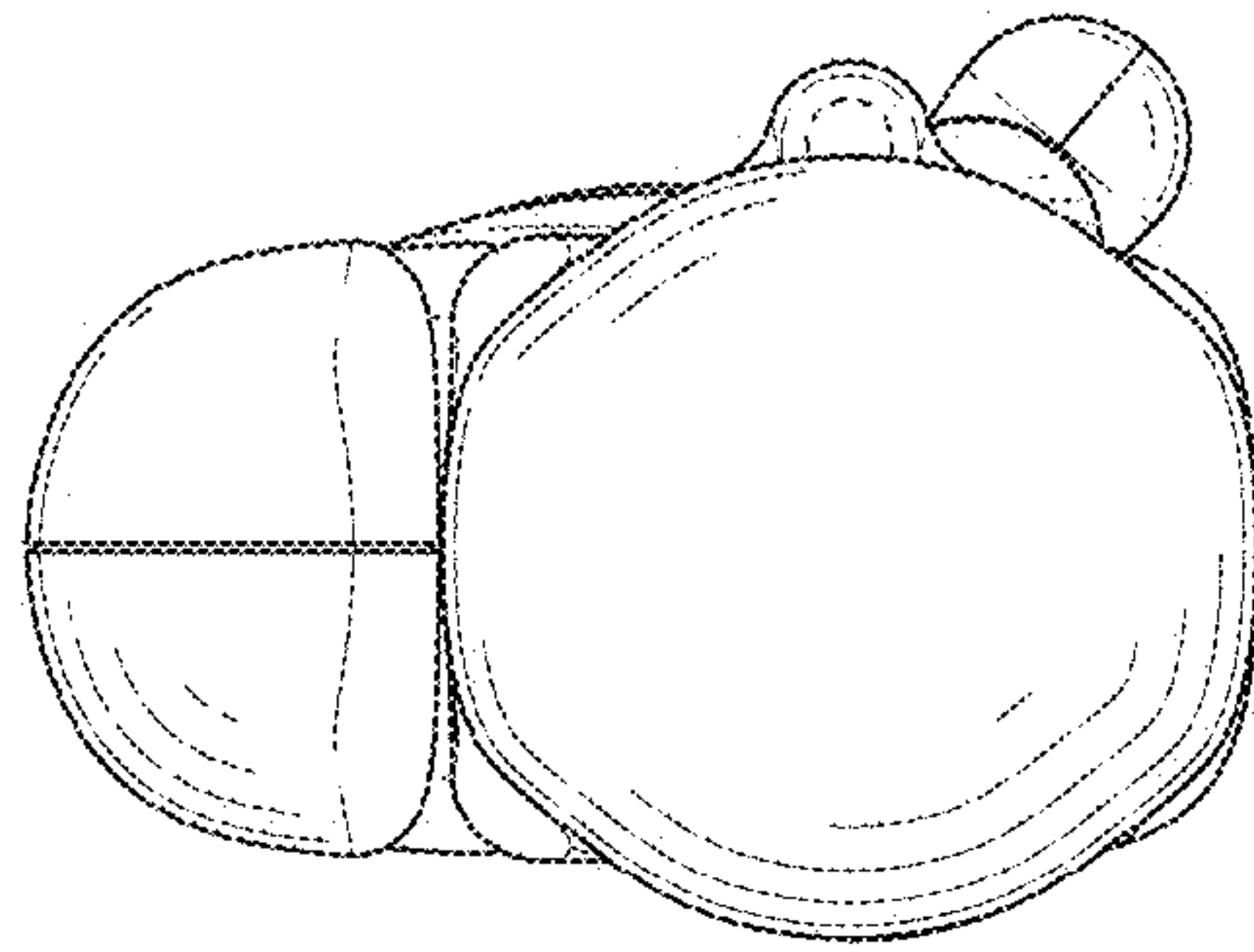


FIG. 8

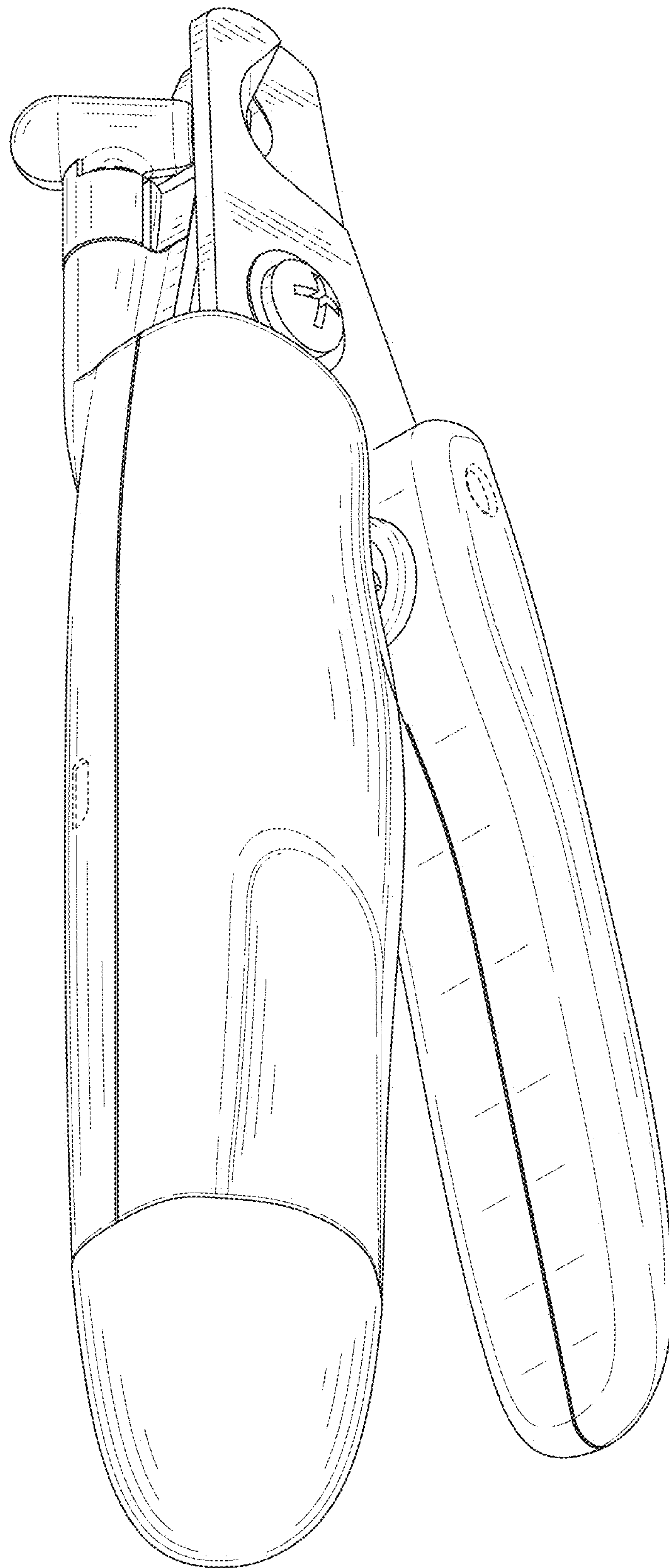


FIG. 9

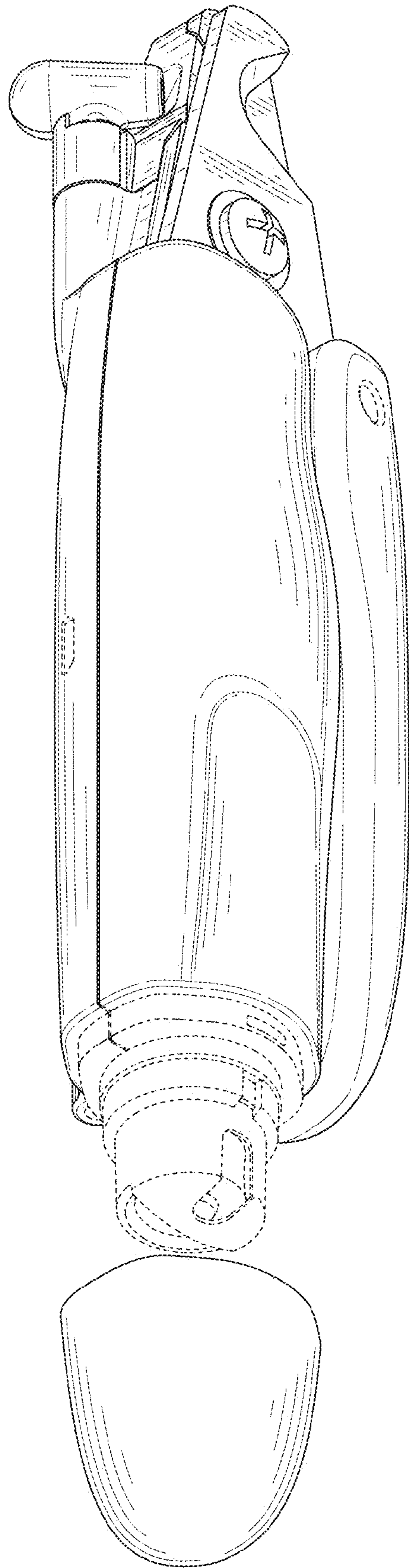


FIG. 10