



US00D933902S

(12) **United States Design Patent**
Grooms-Jones

(10) **Patent No.:** **US D933,902 S**

(45) **Date of Patent:** **** Oct. 19, 2021**

(54) **WIG**

(71) Applicant: **Patricia S. Grooms-Jones**, San Diego,
CA (US)

(72) Inventor: **Patricia S. Grooms-Jones**, San Diego,
CA (US)

(**) Term: **15 Years**

(21) Appl. No.: **29/736,093**

(22) Filed: **May 27, 2020**

(51) **LOC (13) Cl.** **28-04**

(52) **U.S. Cl.**
USPC **D28/92**

(58) **Field of Classification Search**
USPC D28/92, 93; D2/894
CPC A41G 3/00; A41G 3/0008; A41G 3/0016;
A41G 3/0025; A41G 3/0033; A41G
3/0041; A41G 3/005; A41G 3/0058;
A41G 5/00; A41G 5/04; A41G 5/0046;
A41G 5/0053; A41G 5/006; A41G
5/0066; A41G 5/0073

See application file for complete search history.

(56) **References Cited**

U.S. PATENT DOCUMENTS

D170,951 S * 11/1953 Sibley D2/865
D190,111 S * 4/1961 Greenwald D2/871
D426,349 S * 6/2000 Mondragon D28/92

D539,483 S * 3/2007 Arnold D28/92
D703,385 S * 4/2014 Adams D28/93
2013/0247930 A1* 9/2013 Norman A41G 5/0073
132/201
2015/0013708 A1* 1/2015 Chamberlain A41G 3/005
132/54
2018/0007988 A1* 1/2018 Kim A41G 5/0073

* cited by examiner

Primary Examiner — Zenia I Bennett

(74) *Attorney, Agent, or Firm* — Procopio Cory
Hargreaves et al.

(57) **CLAIM**

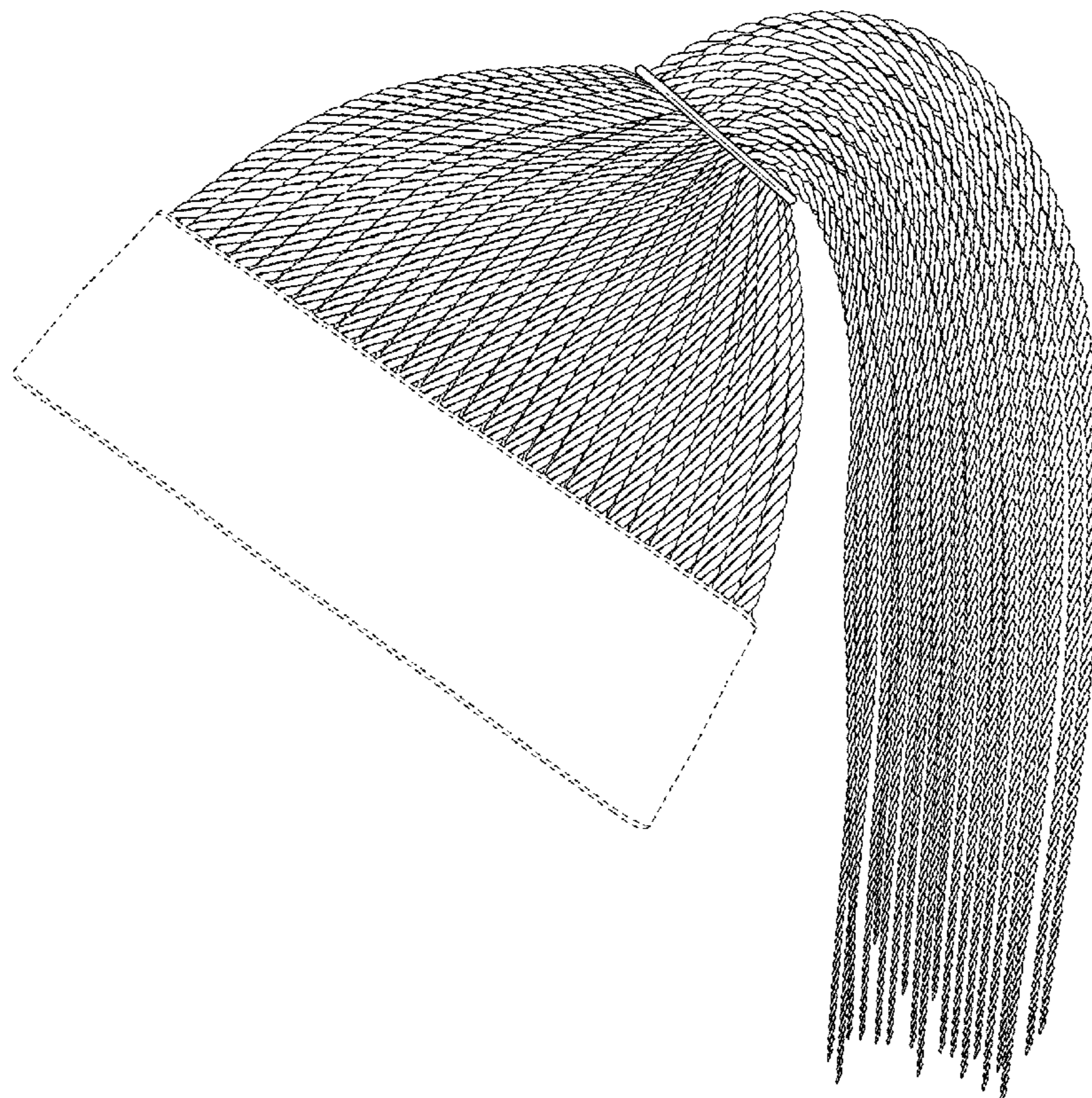
The ornamental design for a wig, as shown and described.

DESCRIPTION

FIG. 1 is a front perspective view of a wig.
FIG. 2 is a front elevational view of a wig.
FIG. 3 is a rear elevational view of a wig.
FIG. 4 is a left side elevational view of a wig.
FIG. 5 is a right side elevational view of a wig.
FIG. 6 is a top plan view of a wig.
FIG. 7 is a bottom plan view of a wig; and,
FIG. 8 is a front perspective view of a wig shown on a user's
head.

The broken lines in drawings depicting the wide band on the
outside of the wig, the inside of the wig cap and the stitches
on the inside band of the wig are included for illustrating
environmental elements only and form no part of the
claimed design.

1 Claim, 8 Drawing Sheets



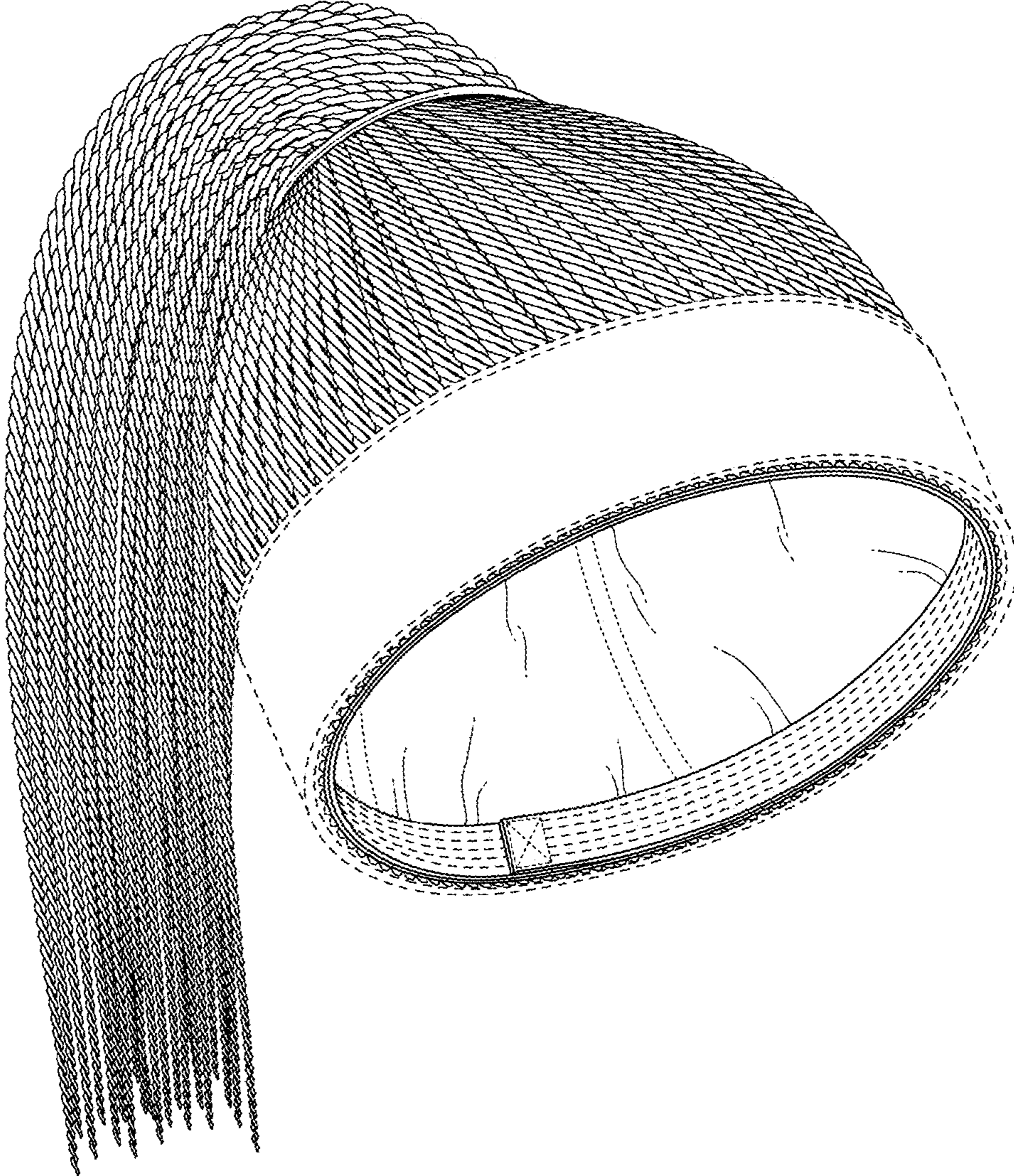


FIG. 1

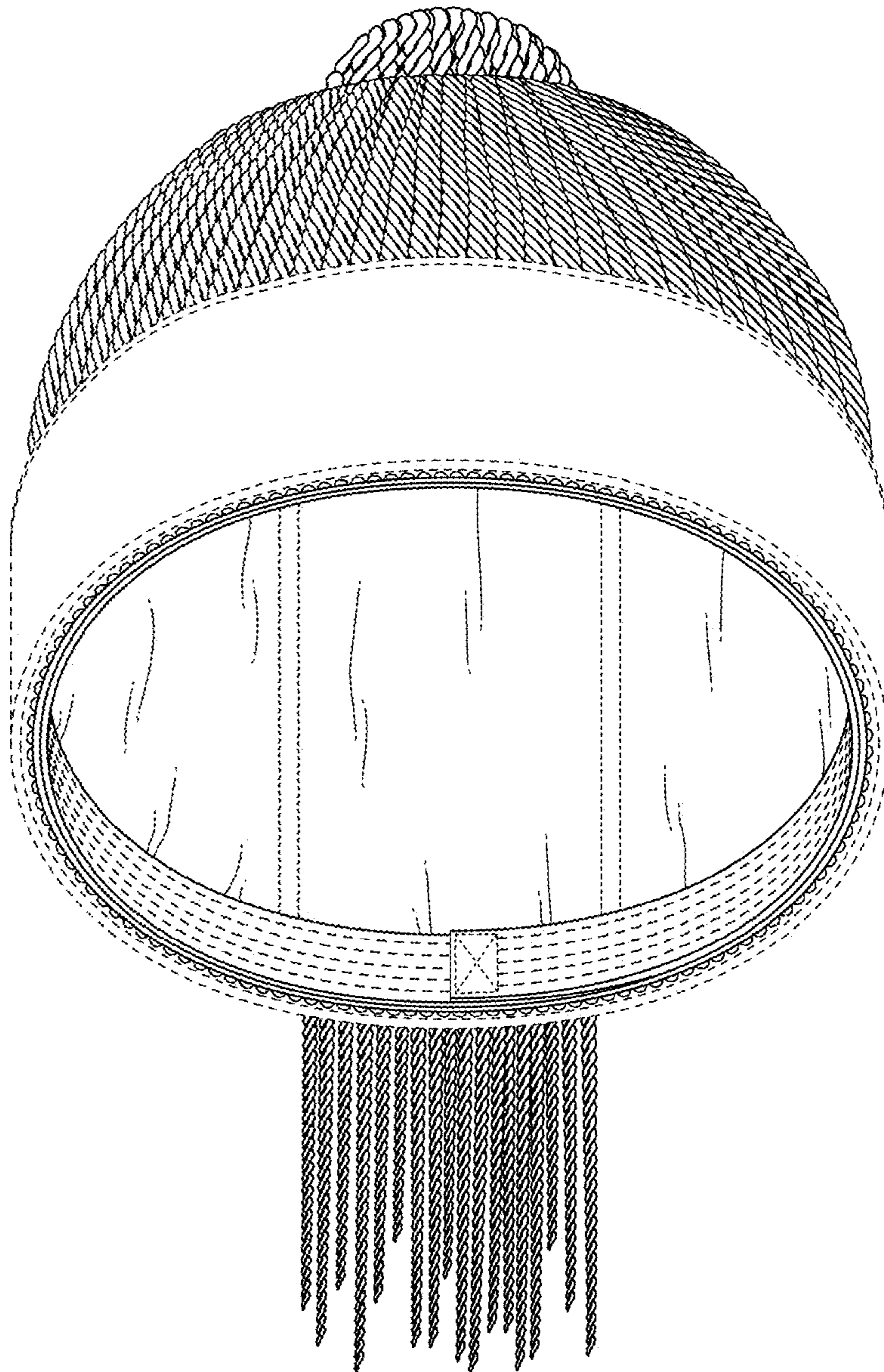


FIG. 2

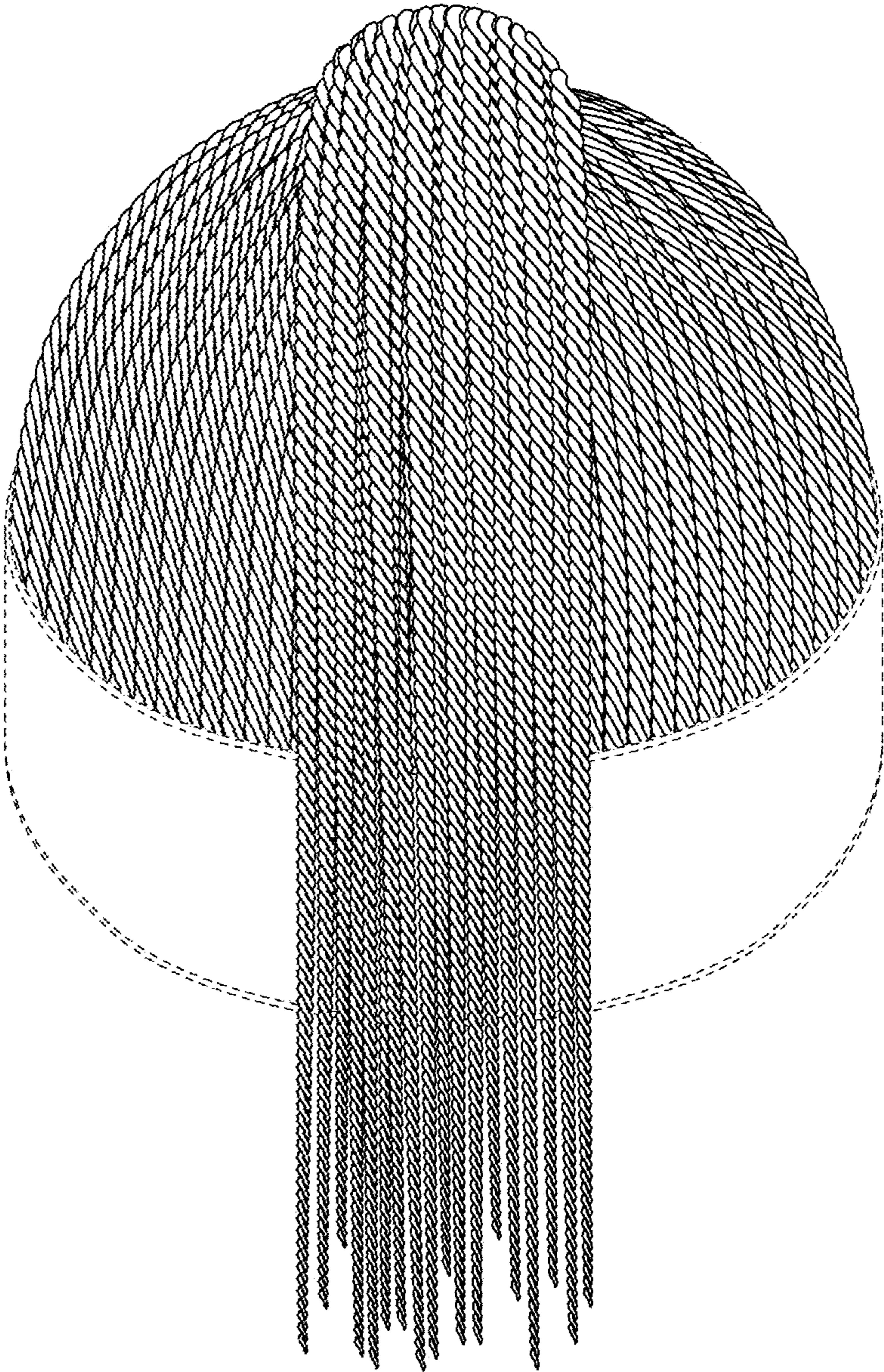


FIG. 3

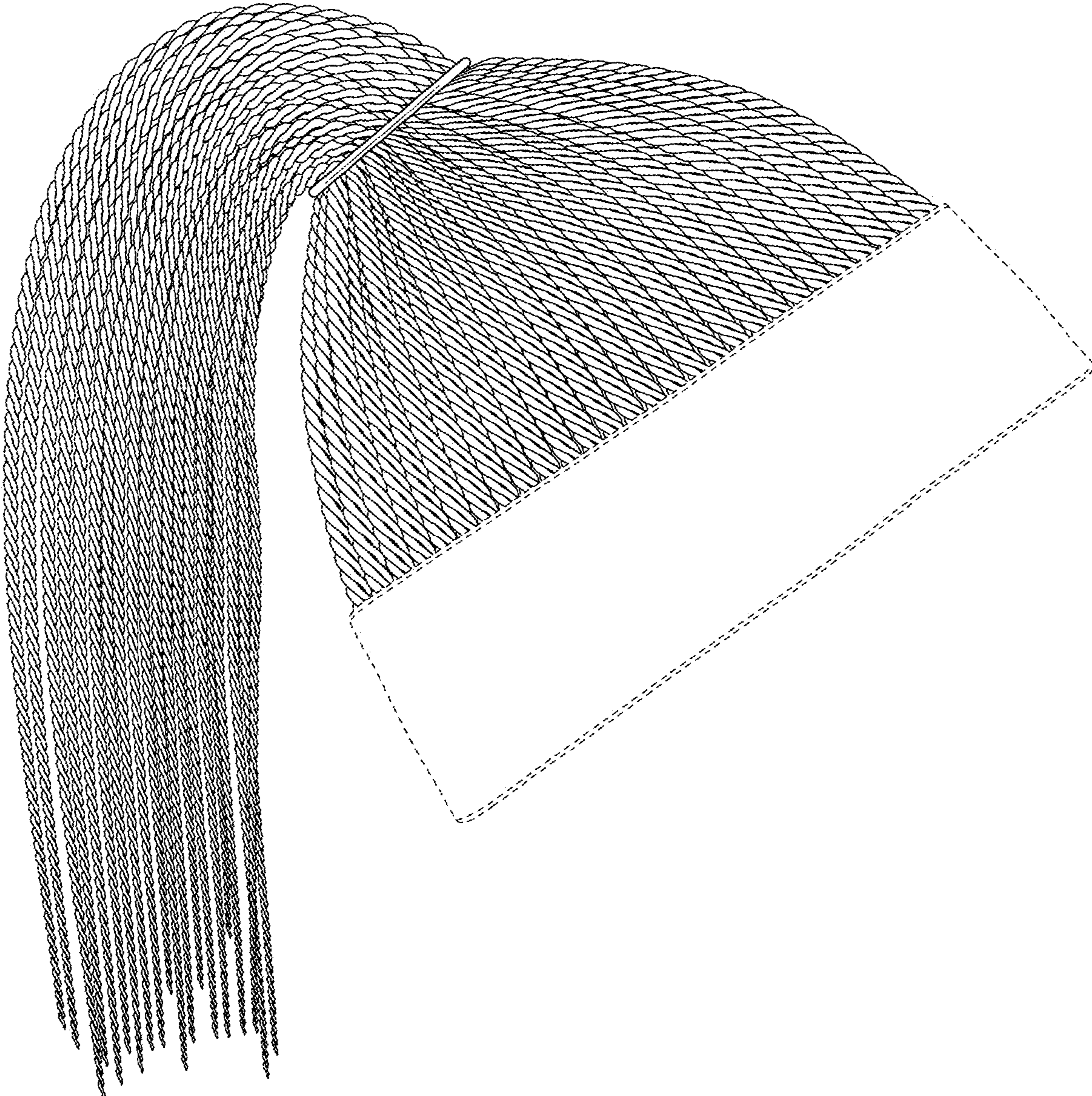


FIG. 4

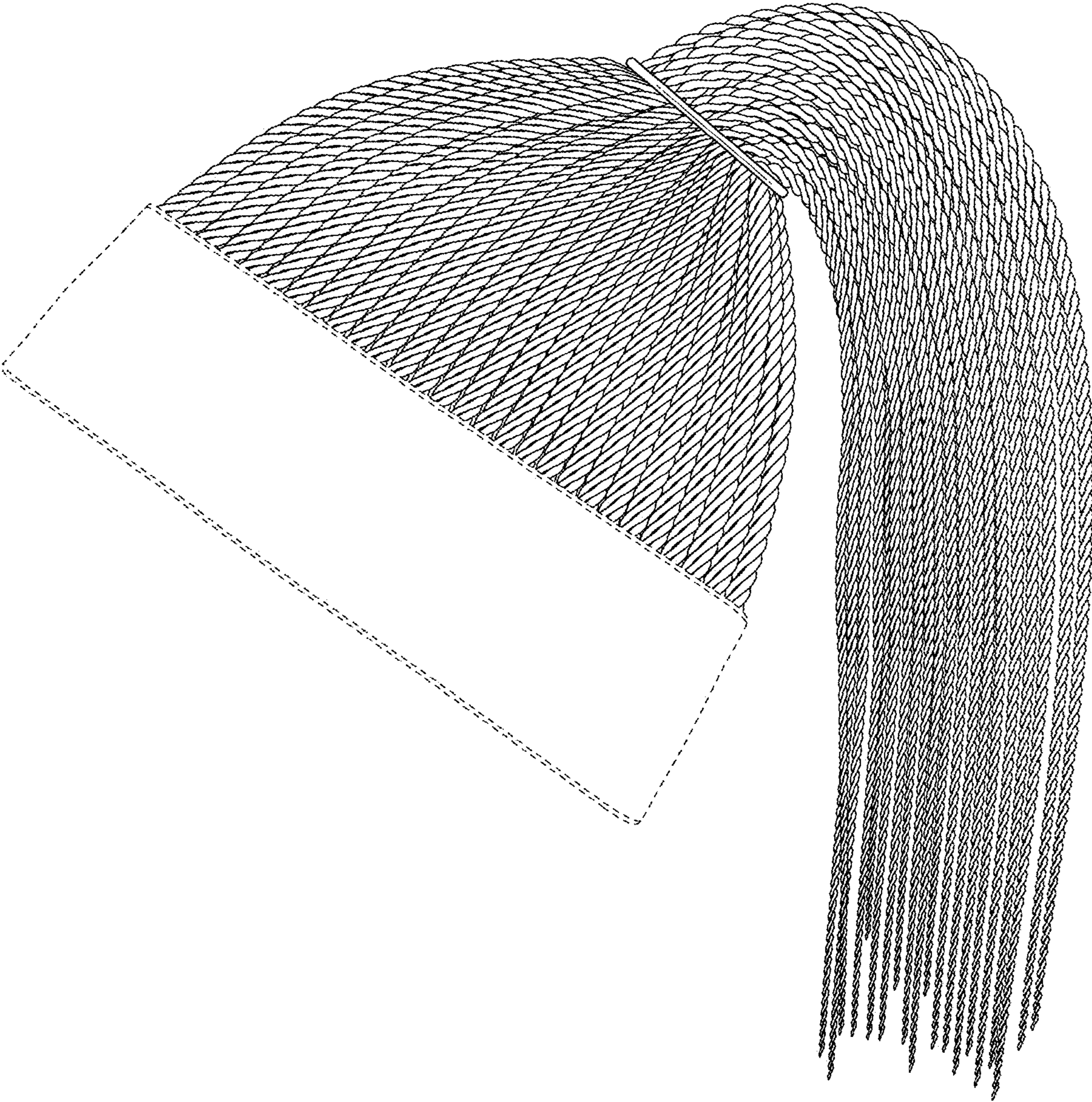


FIG. 5

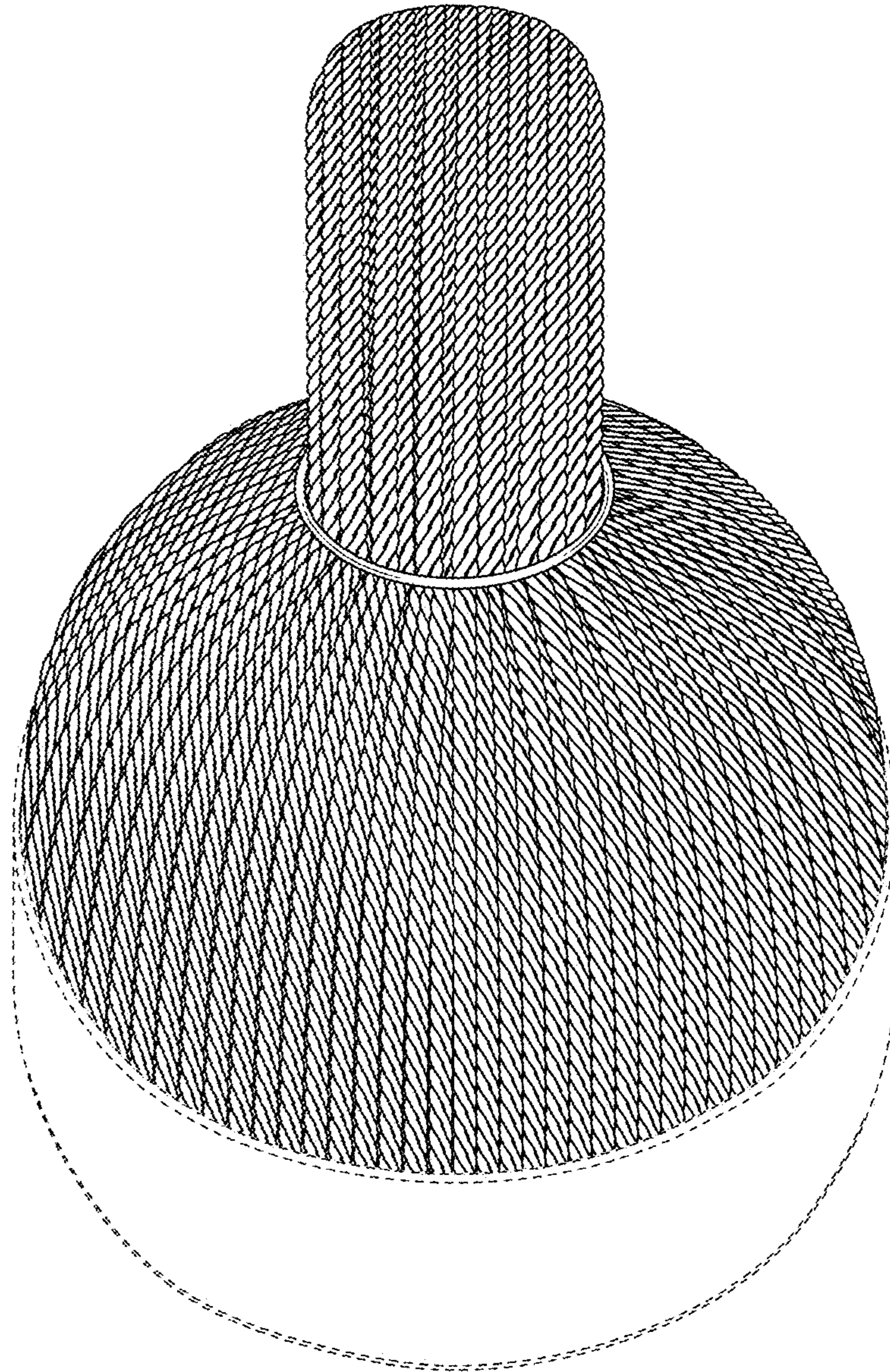


FIG. 6

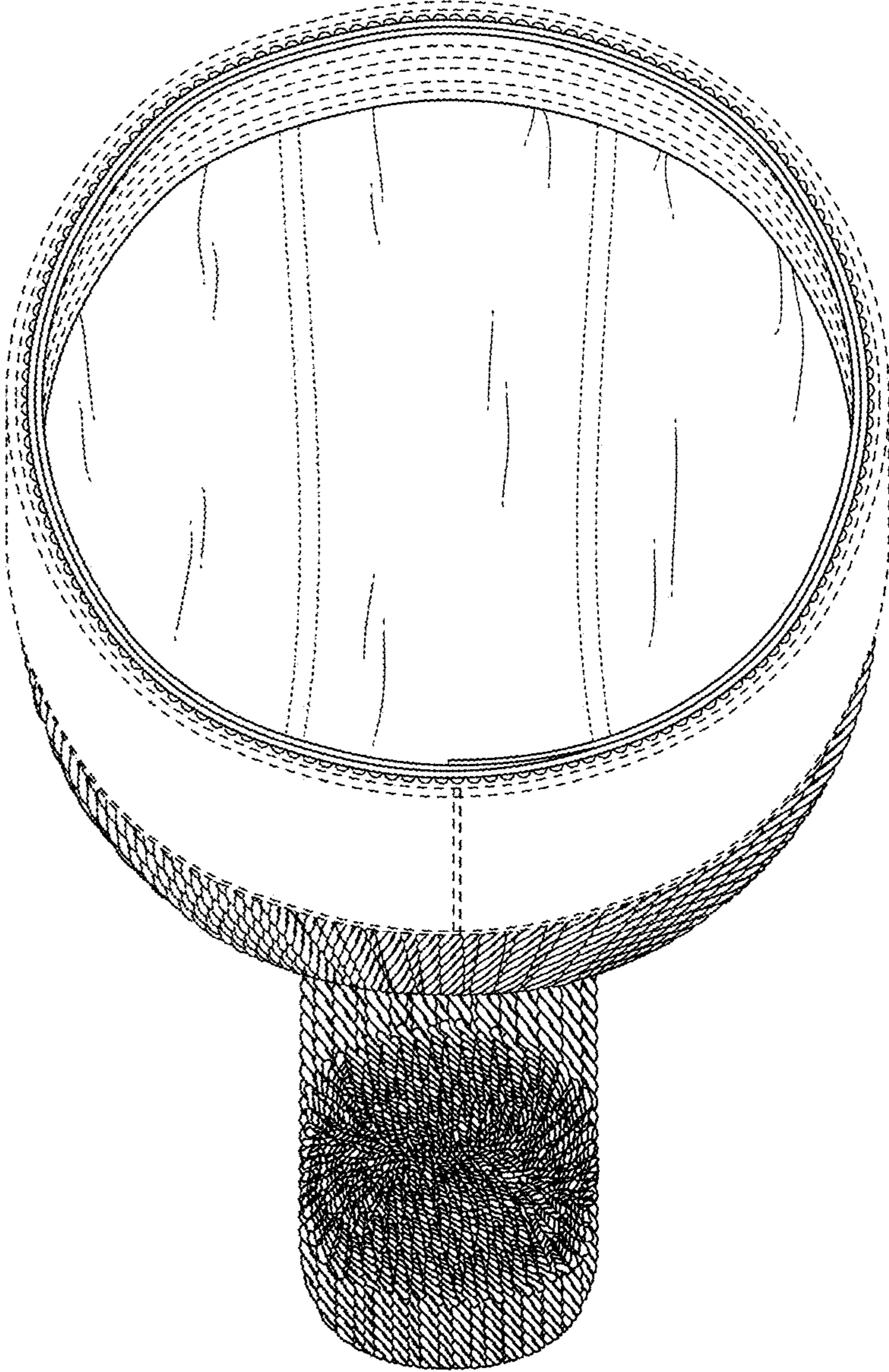


FIG. 7

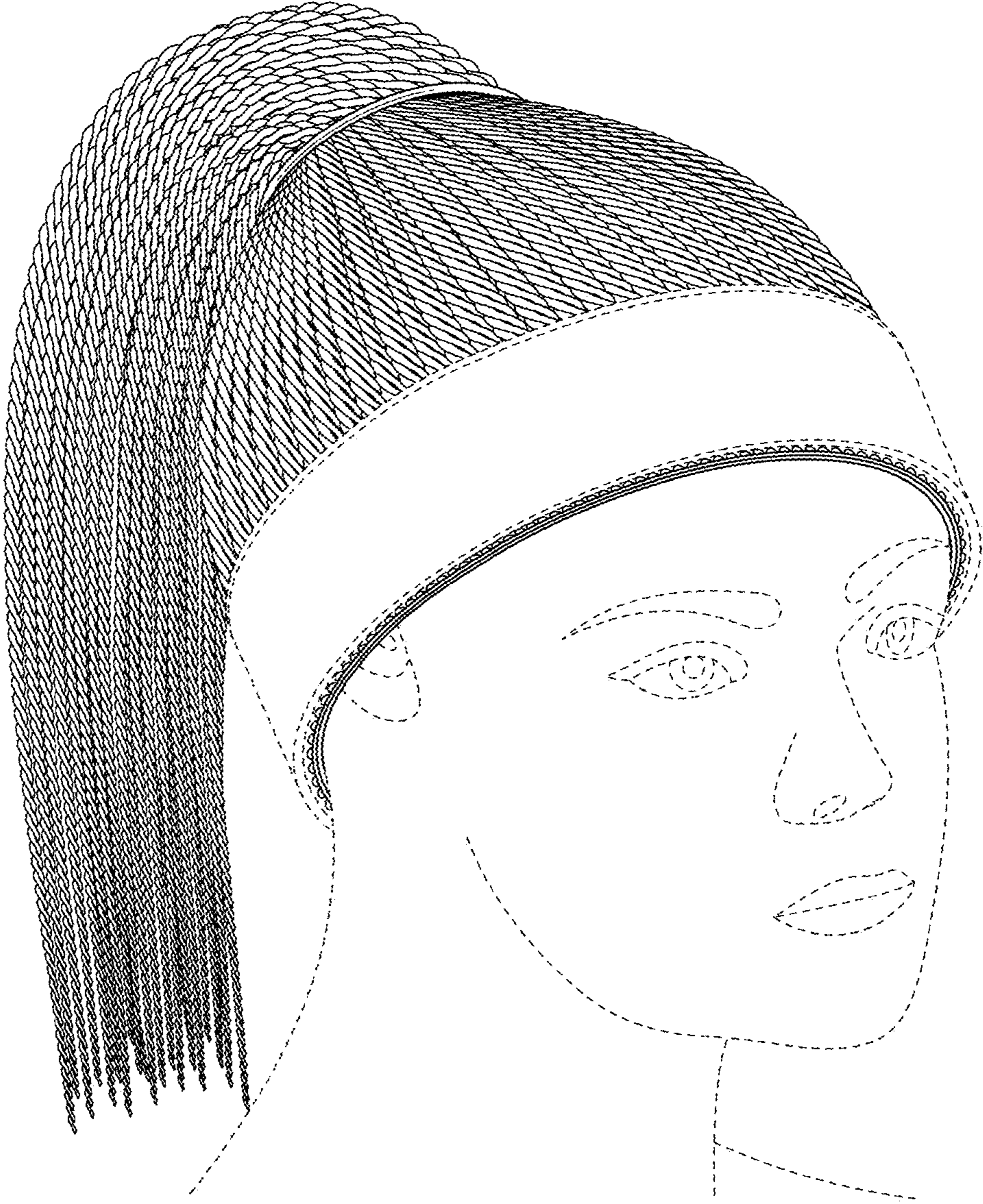


FIG. 8