



US00D933891S

(12) **United States Design Patent** (10) **Patent No.:** **US D933,891 S**
Randhawa et al. (45) **Date of Patent:** **** Oct. 19, 2021**

(54) **SHAVING RAZOR**
(71) Applicant: **VICTRESS, LLC**, Miami, FL (US)
(72) Inventors: **Gurpreet Randhawa**, Miami, FL (US);
Manny Bains, Miami, FL (US)
(73) Assignee: **Victress, LLC**, Miami, FL (US)
(**) Term: **15 Years**
(21) Appl. No.: **29/710,894**
(22) Filed: **Oct. 28, 2019**
(51) **LOC (13) Cl.** **28-03**
(52) **U.S. Cl.**
USPC **D28/46**
(58) **Field of Classification Search**
USPC D28/46-48
CPC ... B26B 21/00; B26B 21/08; B26B 21/14-18;
B26B 21/185-227; B26B 21/40; B26B
21/4062-4075; B26B 21/44-48; B26B
21/30-32; B26B 21/50-528
See application file for complete search history.

D823,541 S * 7/2018 Wertz D28/46
D857,991 S * 8/2019 Atlason D28/48
D868,375 S * 11/2019 Bonk D28/48
D898,284 S * 10/2020 Stowers D28/45
D912,900 S * 3/2021 Avery D28/46

OTHER PUBLICATIONS

<https://www.shavewithv.com/products/victress#shopify-product-review> Victress shave razor, www.shavewithv.com, 1 page, reviewed as early as Oct. 2020 (Year: 2020).*

* cited by examiner

Primary Examiner — Jennifer Rivard
(74) *Attorney, Agent, or Firm* — Allen, Dyer, Doppelt & Gilchrist, P.A.

(57) **CLAIM**

The ornamental design for a shaving razor, as shown and described.

DESCRIPTION

FIG. 1 is a perspective view of the shaving razor according to the present design;
FIG. 2 is a front view of the shaving razor of FIG. 1;
FIG. 3 is a rear view of the shaving razor of FIG. 1;
FIG. 4 is a left side view of the shaving razor of FIG. 1;
FIG. 5 is a right side view of the shaving razor of FIG. 1;
FIG. 6 is a top view of the shaving razor of FIG. 1; and
FIG. 7 is a bottom view of the shaving razor of FIG. 1.
The broken lines illustrate portions of the shaving razor that form no part of the claimed design.

1 Claim, 7 Drawing Sheets

(56) **References Cited**
U.S. PATENT DOCUMENTS
D254,692 S * 4/1980 Del Re D28/46
4,208,791 A * 6/1980 Van Cleve B26B 21/18
30/346.58
D259,065 S * 4/1981 Byrne D28/46
D285,341 S * 8/1986 Audette D24/147
D287,059 S * 12/1986 Gille D28/46
D351,485 S * 10/1994 Miskin D28/46
D623,800 S * 9/2010 Clemons D28/46

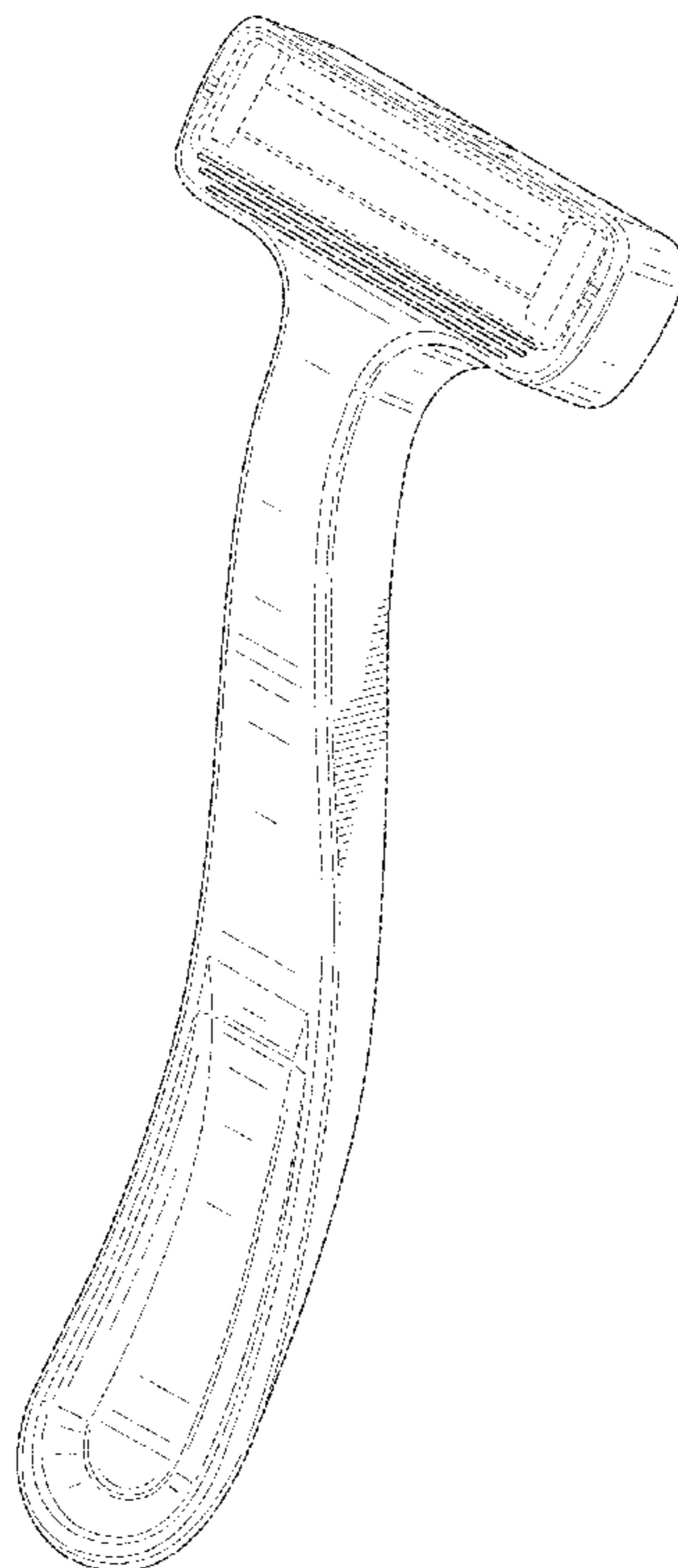


FIG. 1

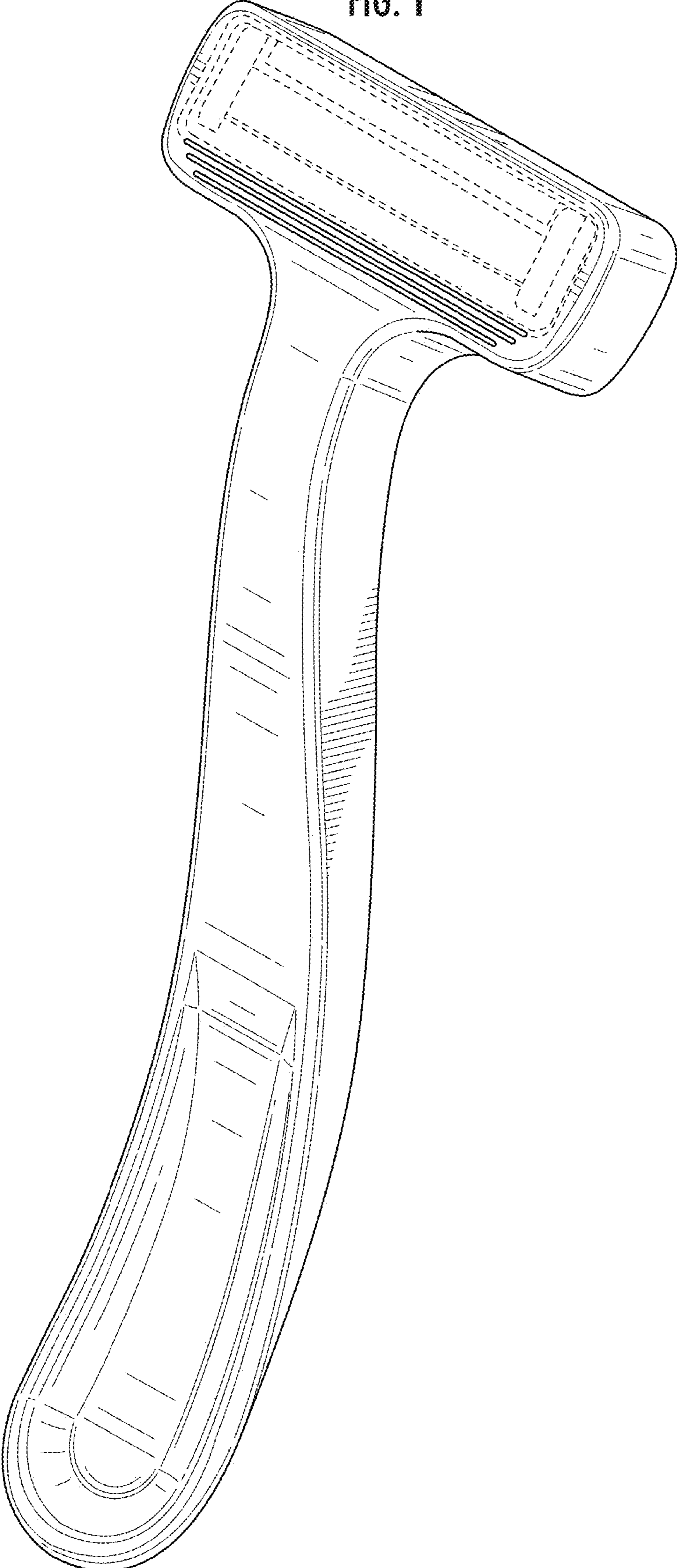


FIG. 2

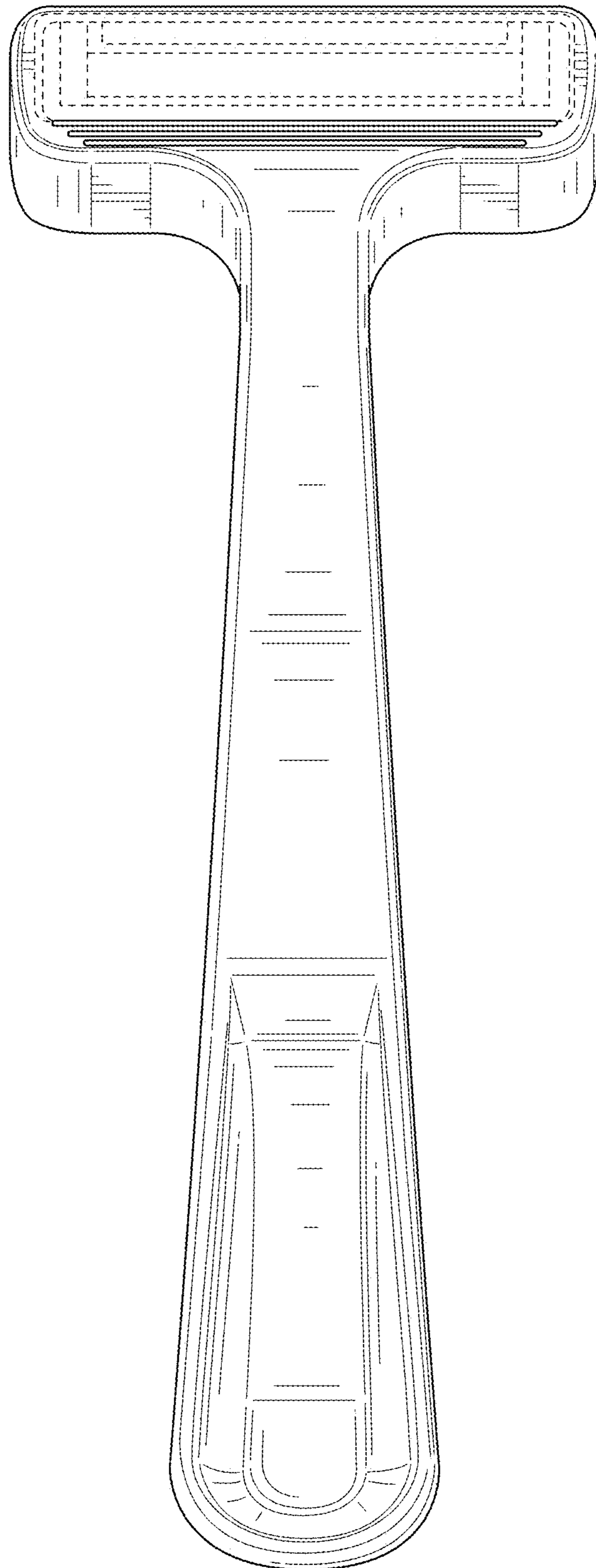


FIG. 3

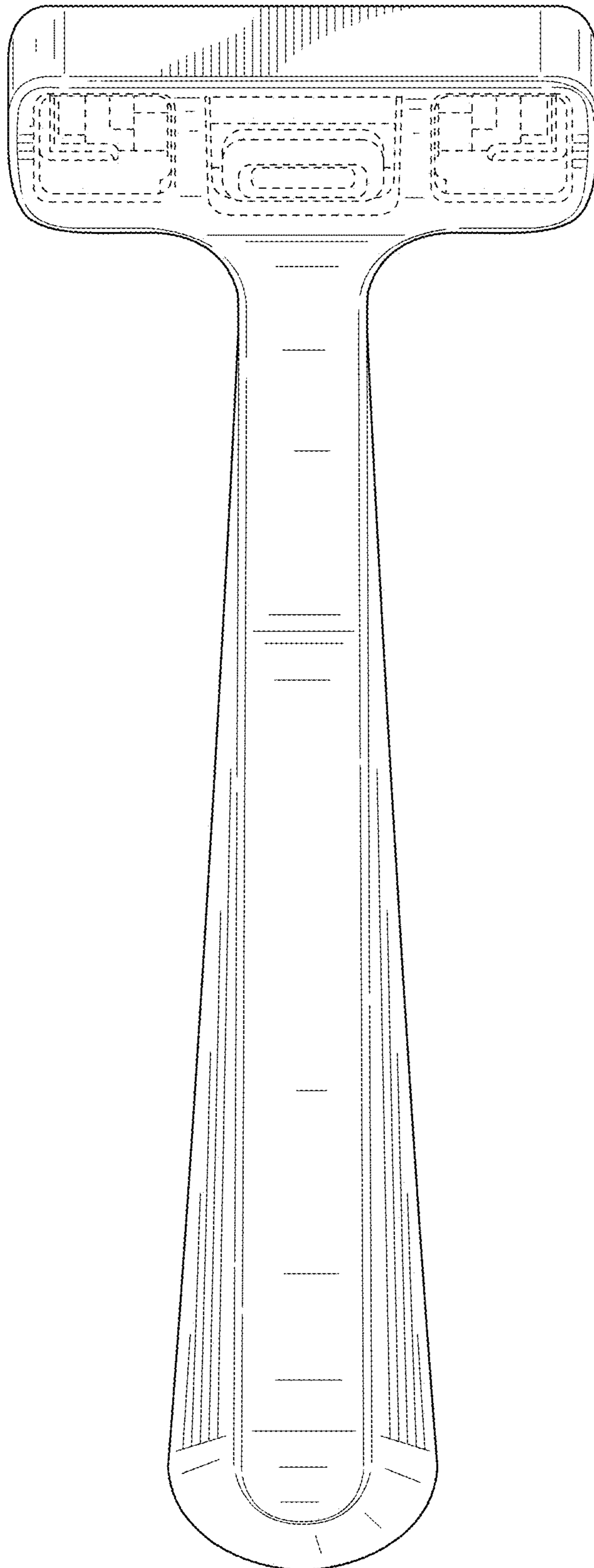


FIG. 4

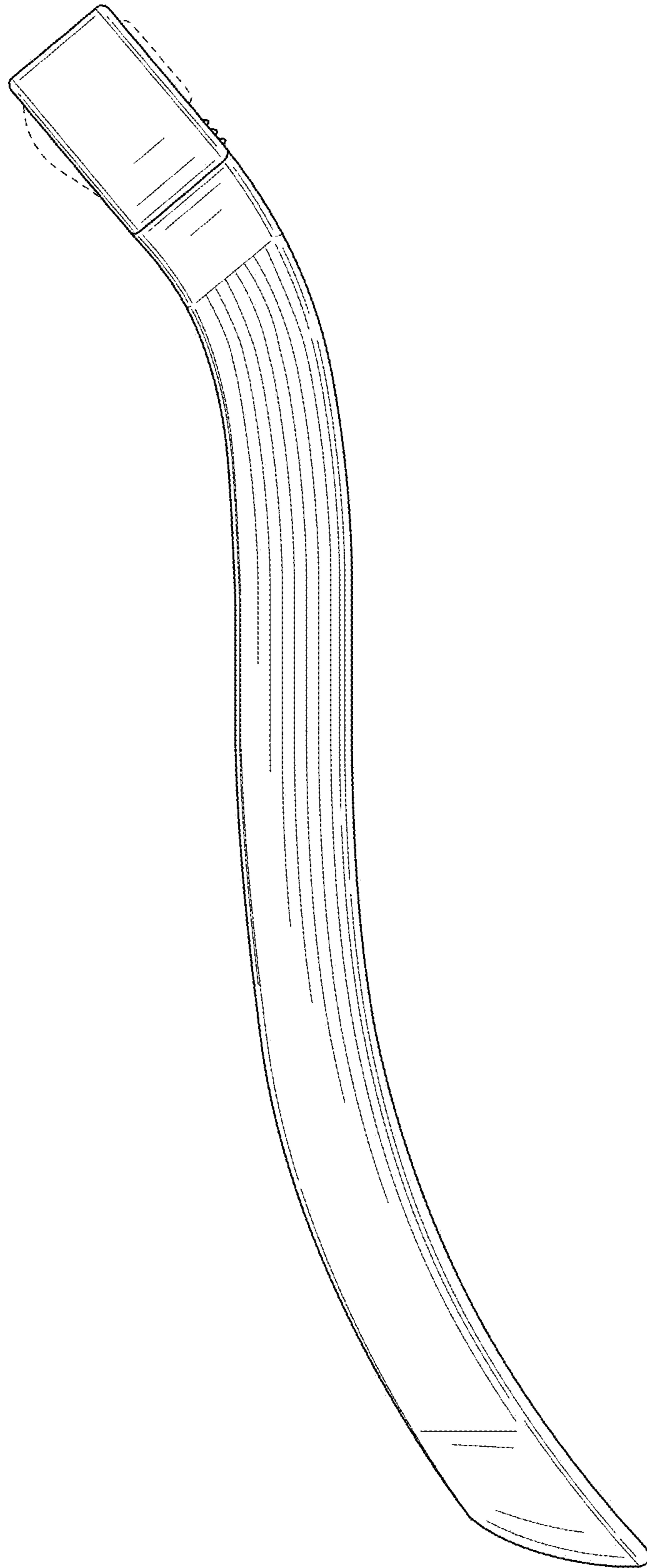


FIG. 5

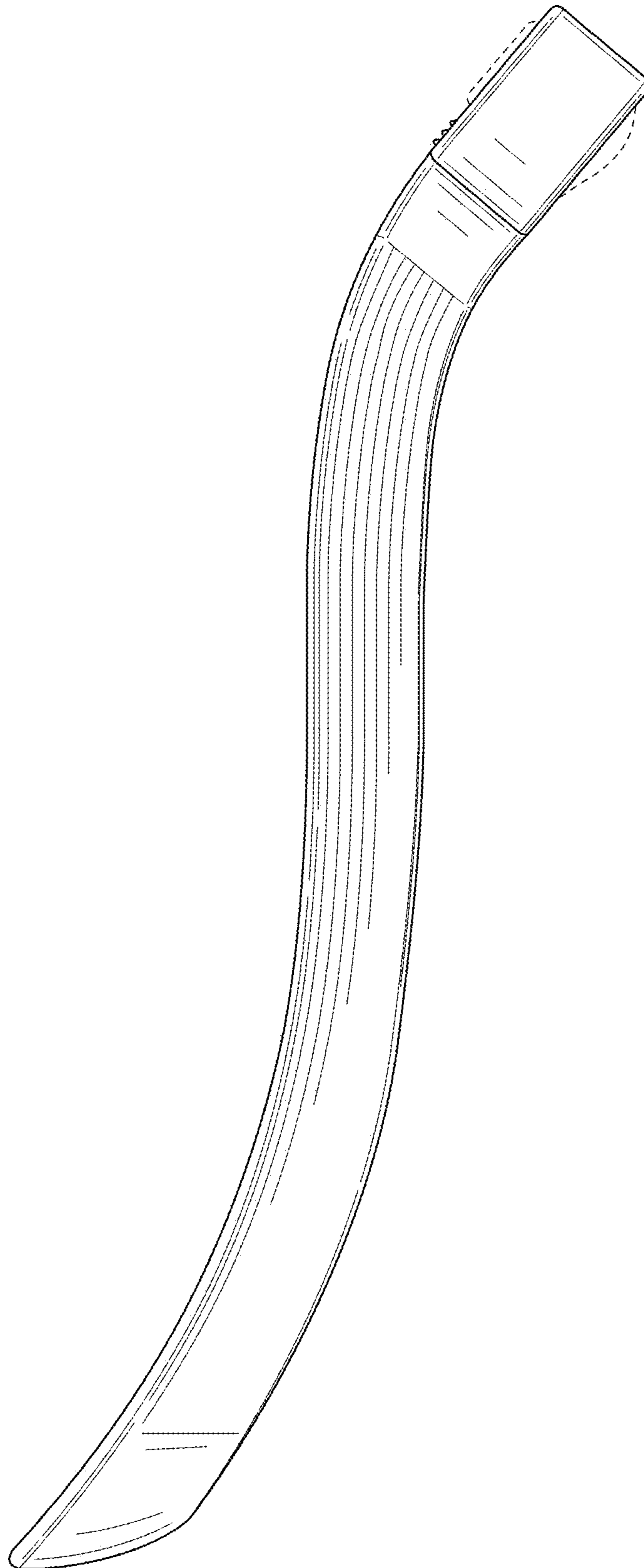


FIG. 6

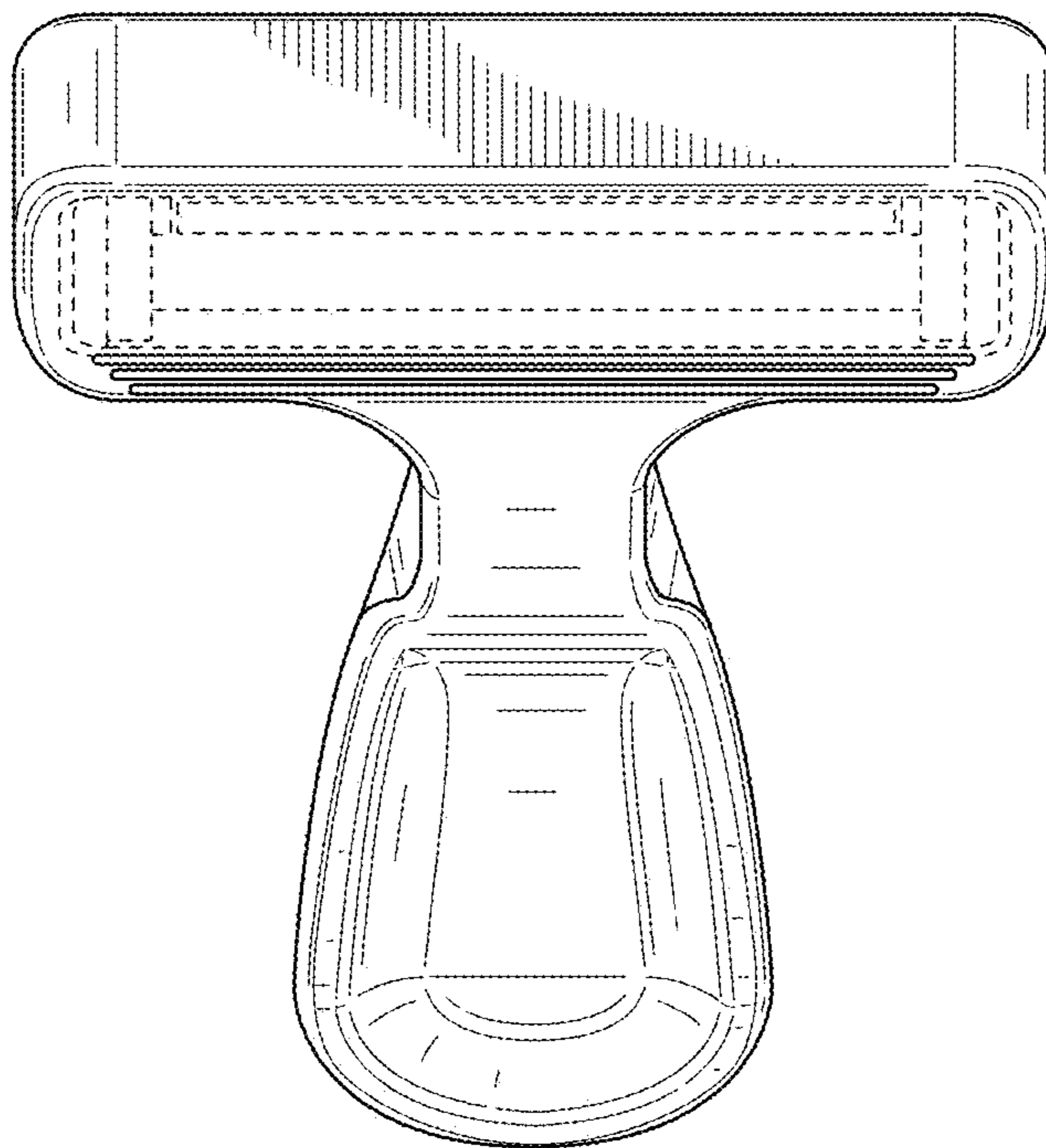


FIG. 7

