



US00D933888S

(12) **United States Design Patent** (10) **Patent No.:** **US D933,888 S**  
**Huang** (45) **Date of Patent:** **\*\* Oct. 19, 2021**

(54) **HAIR CURLER**

FOREIGN PATENT DOCUMENTS

(71) Applicant: **Guangdong Huanengda Electrical appliances Co., LTD., Jieyang (CN)**

CN 305729175 \* 10/2019

(72) Inventor: **Huaqun Huang, Jieyang (CN)**

OTHER PUBLICATIONS

(73) Assignee: **GUANGDONG HUANENGDA ELECTRICAL APPLIANCES CO., LTD, Jieyang (CN)**

Conair Double Ceramic 1-Inch Curling Iron [online], [site visited Oct. 29, 2020]. Available from internet, URL:<[https://www.amazon.com/Conair-Double-Ceramic-Curling-1-inch/dp/B07CKKGR83/ref=sr\\_1\\_13?crd=372UBIR4EX4NW&dchild=1&keywords=hair+c%E2%80%A6](https://www.amazon.com/Conair-Double-Ceramic-Curling-1-inch/dp/B07CKKGR83/ref=sr_1_13?crd=372UBIR4EX4NW&dchild=1&keywords=hair+c%E2%80%A6)> (Year: 2018).\*

(\*\*) Term: **15 Years**

(Continued)

(21) Appl. No.: **29/719,151**

*Primary Examiner* — Cynthia Ramirez

(22) Filed: **Dec. 31, 2019**

*Assistant Examiner* — Xavier Marti-Santos

(30) **Foreign Application Priority Data**

(74) *Attorney, Agent, or Firm* — Dragon Sun Law Firm, PC; Jinggao Li, Esq.

Oct. 31, 2019 (CN) ..... 201930598170.8

(51) **LOC (13) Cl.** ..... **28-03**

(57) **CLAIM**

(52) **U.S. Cl.**  
USPC ..... **D28/35**

The ornamental design for a hair curler, as shown and described.

(58) **Field of Classification Search**

**DESCRIPTION**

USPC ..... D28/10, 35, 37, 38  
CPC ..... A45D 2/00; A45D 2001/045; A45D 1/16;  
A45D 1/04; A45D 1/18; A45D 1/06-14;  
A45D 2/02-10; A45D 2/38-42; A45D  
2/001-002

See application file for complete search history.

FIG. 1 is a perspective view of a hair curler showing my new design;  
FIG. 2 is a front view thereof;  
FIG. 3 is a rear view thereof;  
FIG. 4 is a left side view thereof;  
FIG. 5 is a right side view thereof;  
FIG. 6 is an enlarged top plan view thereof;  
FIG. 7 is an enlarged bottom plan view thereof;  
FIG. 8 is an enlarged view of a portion of FIG. 2;  
FIG. 9 is another enlarged view of a portion of FIG. 2;  
FIG. 10 is an enlarged view of a portion of FIG. 4; and,  
FIG. 11 is another enlarged view of a portion of FIG. 4.  
The broken lines in the drawings illustrate portions of the hair curler and form no part of the claimed design. The additional broken lines demarcating enlarged areas form no part of the claimed design.

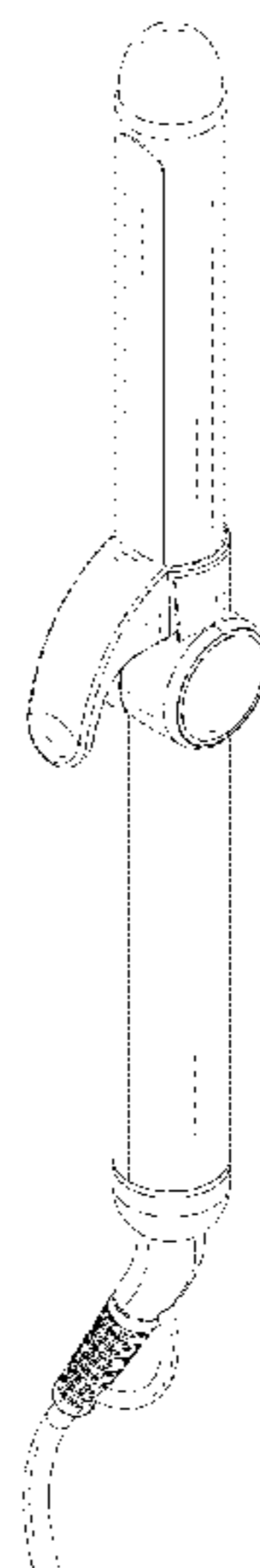
(56) **References Cited**

U.S. PATENT DOCUMENTS

D331,296 S \* 11/1992 Smal ..... D28/35  
D491,309 S \* 6/2004 McCambridge ..... D28/35  
D580,097 S \* 11/2008 Leung ..... D28/35  
D698,488 S \* 1/2014 Byun ..... D28/35  
D736,464 S \* 8/2015 Fernandes da Costa ..... D28/35  
D748,331 S \* 1/2016 Prats ..... D28/35  
D833,676 S \* 11/2018 Lee ..... D28/35  
D915,670 S \* 4/2021 Huang ..... D28/35  
2008/0066775 A1 \* 3/2008 Mason ..... A45D 1/04  
132/238

(Continued)

**1 Claim, 11 Drawing Sheets**



(56)

**References Cited**

U.S. PATENT DOCUMENTS

2011/0203606 A1\* 8/2011 Recchion ..... A45D 1/04  
132/269  
2013/0306099 A1\* 11/2013 Lam ..... A45D 1/00  
132/211  
2016/0058150 A1\* 3/2016 Yu ..... A45D 1/28  
132/211  
2016/0302546 A1\* 10/2016 Fan ..... A45D 1/04  
2018/0070694 A1\* 3/2018 Feng ..... A45D 1/16

OTHER PUBLICATIONS

PTC Heater Ceramic Coating Professional Hair Curler [online],  
[site visited Nov. 3, 2020]. Available from internet, URL:<[https://kangfuchina.en.alibaba.com/product/60506991708-803450890/PTC\\_Heater\\_Ceramic\\_Coating\\_Professional\\_Hair\\_Curler.html?spm=a2700.icbuShop.41413.11.63dd2c7eZ87qO5](https://kangfuchina.en.alibaba.com/product/60506991708-803450890/PTC_Heater_Ceramic_Coating_Professional_Hair_Curler.html?spm=a2700.icbuShop.41413.11.63dd2c7eZ87qO5)> (Year: 2020).\*

\* cited by examiner

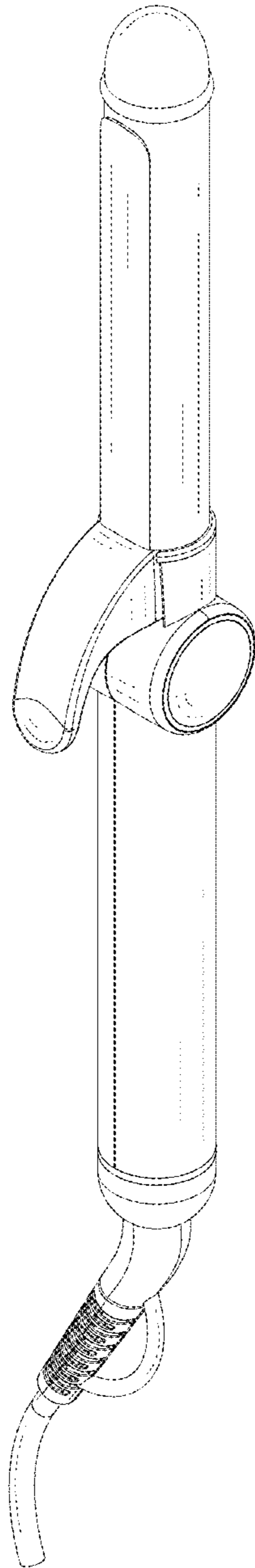


FIG. 1

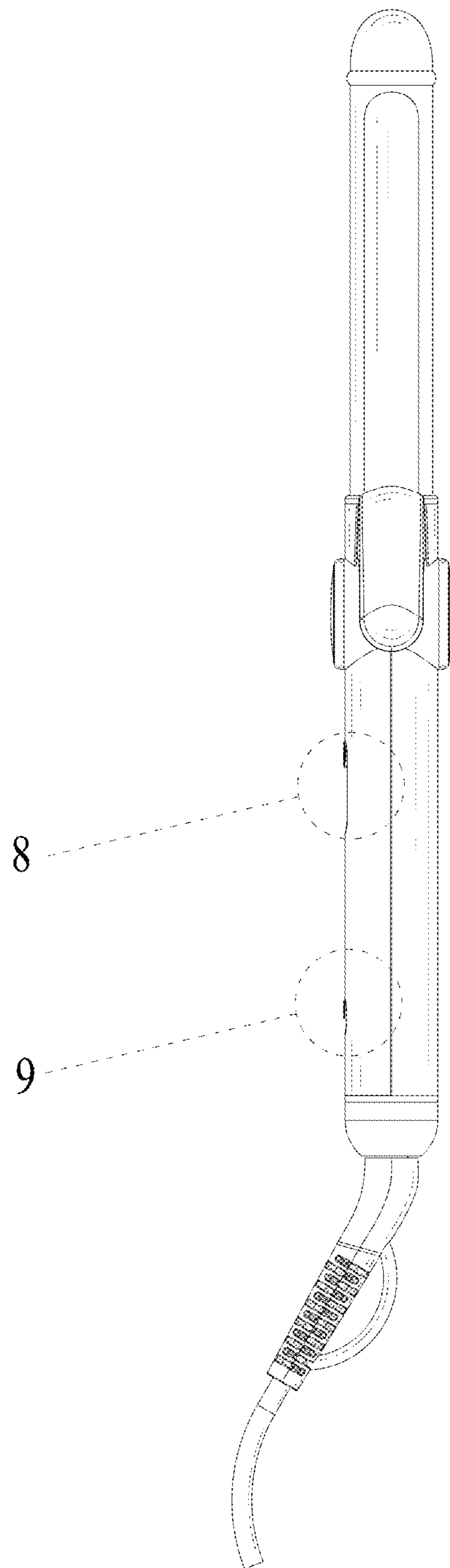


FIG. 2

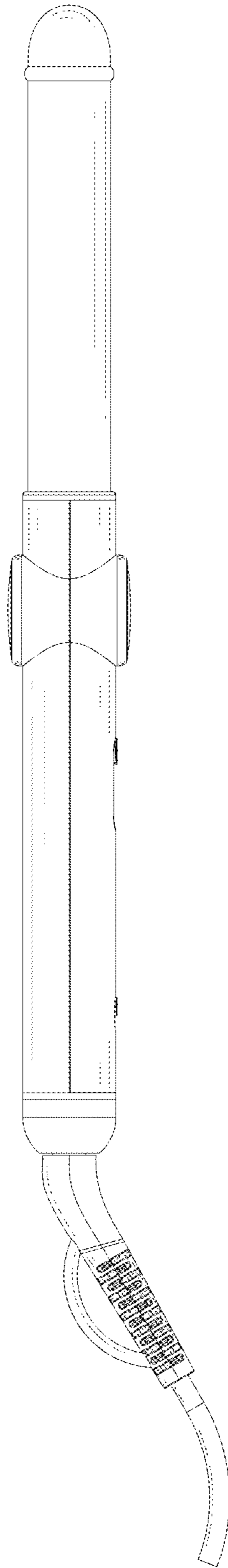


FIG. 3

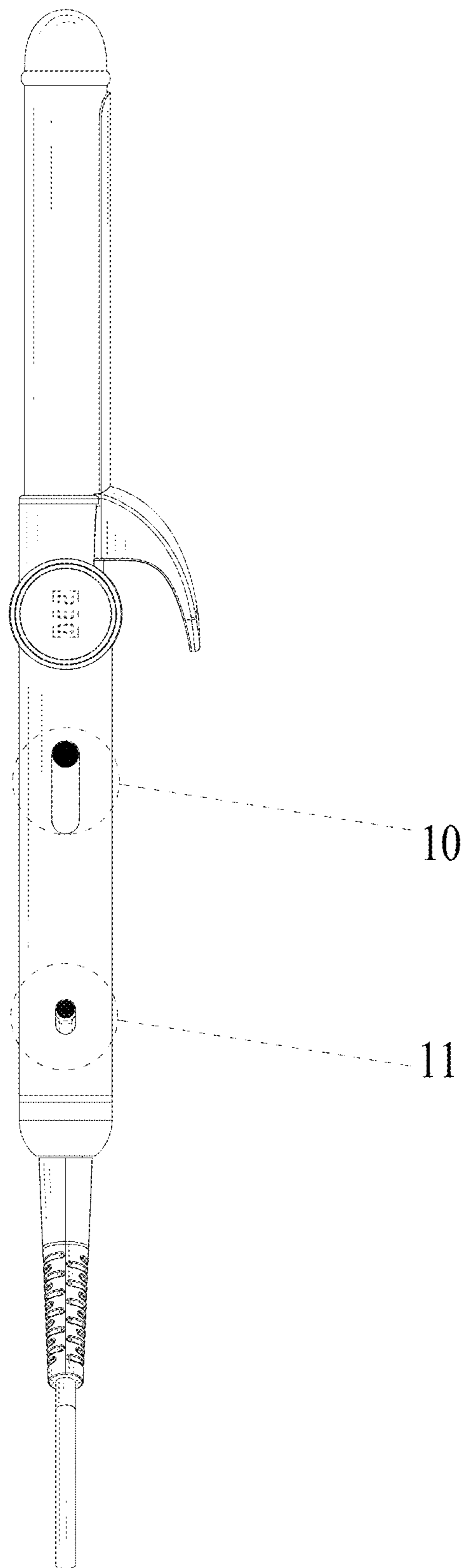


FIG. 4

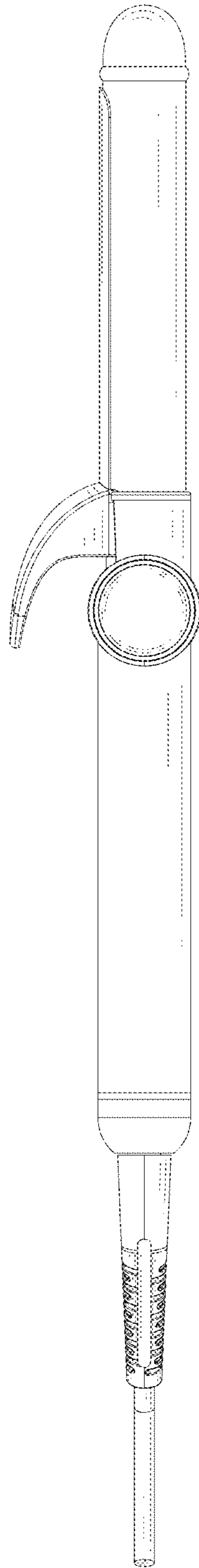


FIG. 5

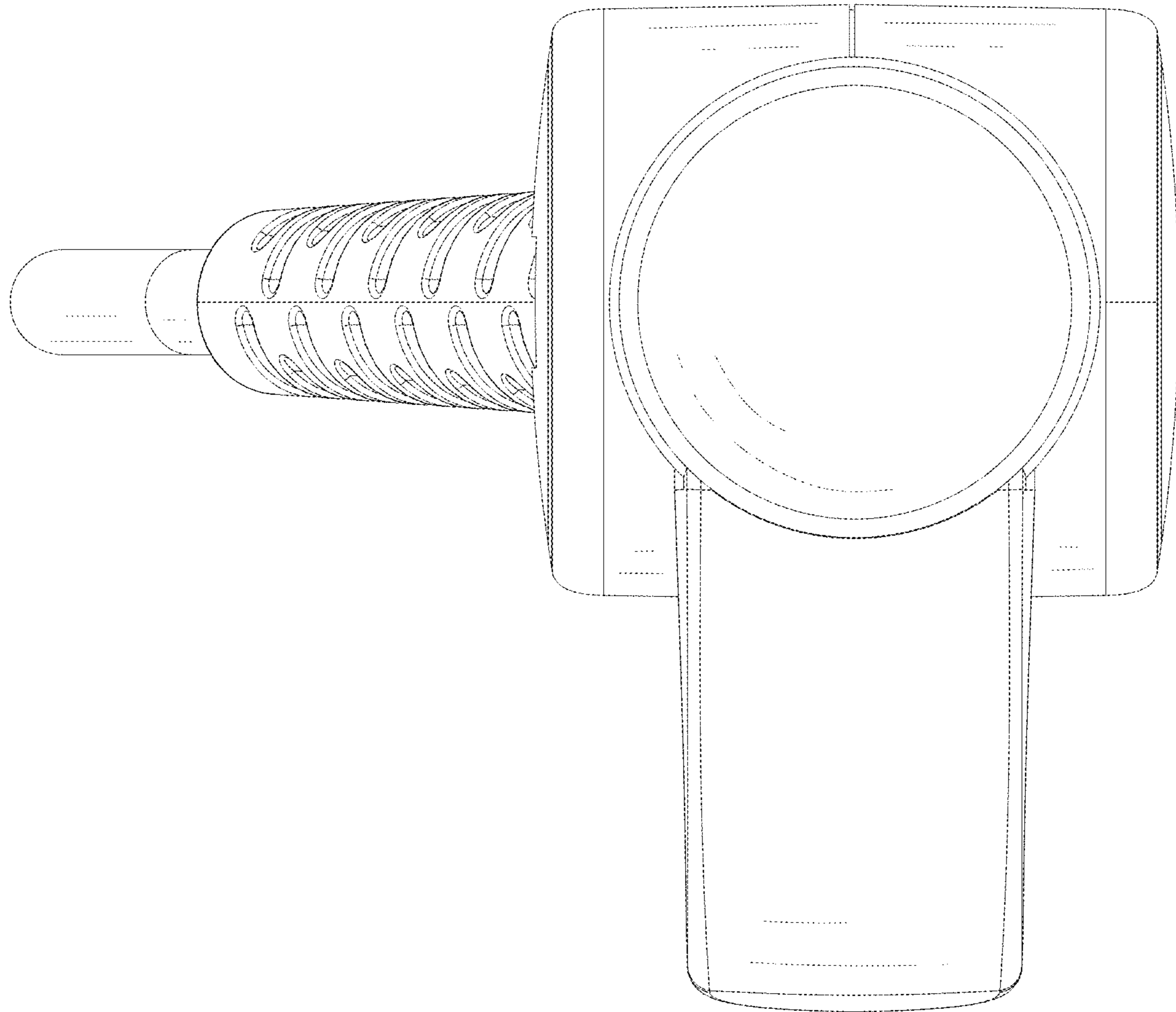


FIG. 6



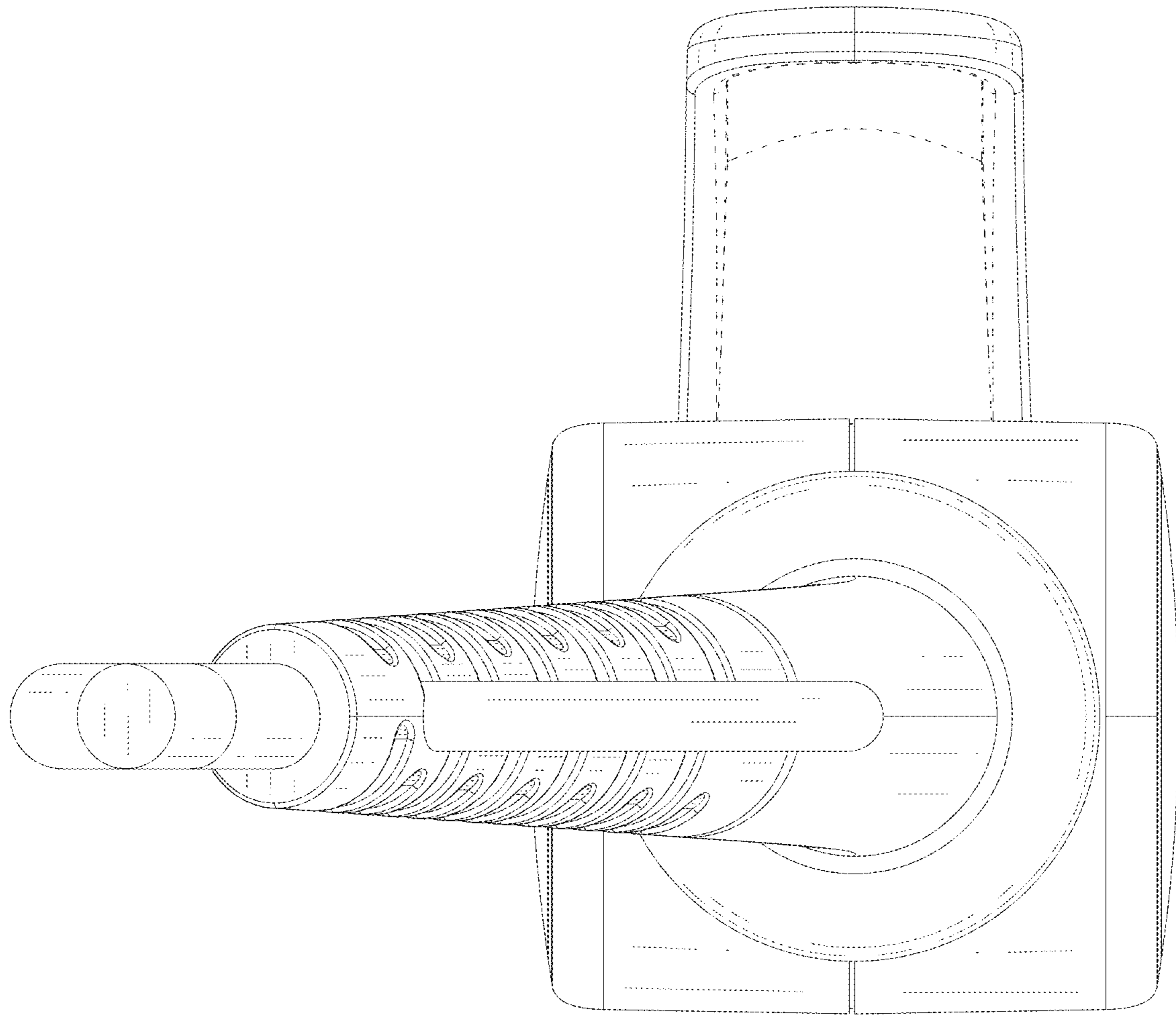


FIG. 7

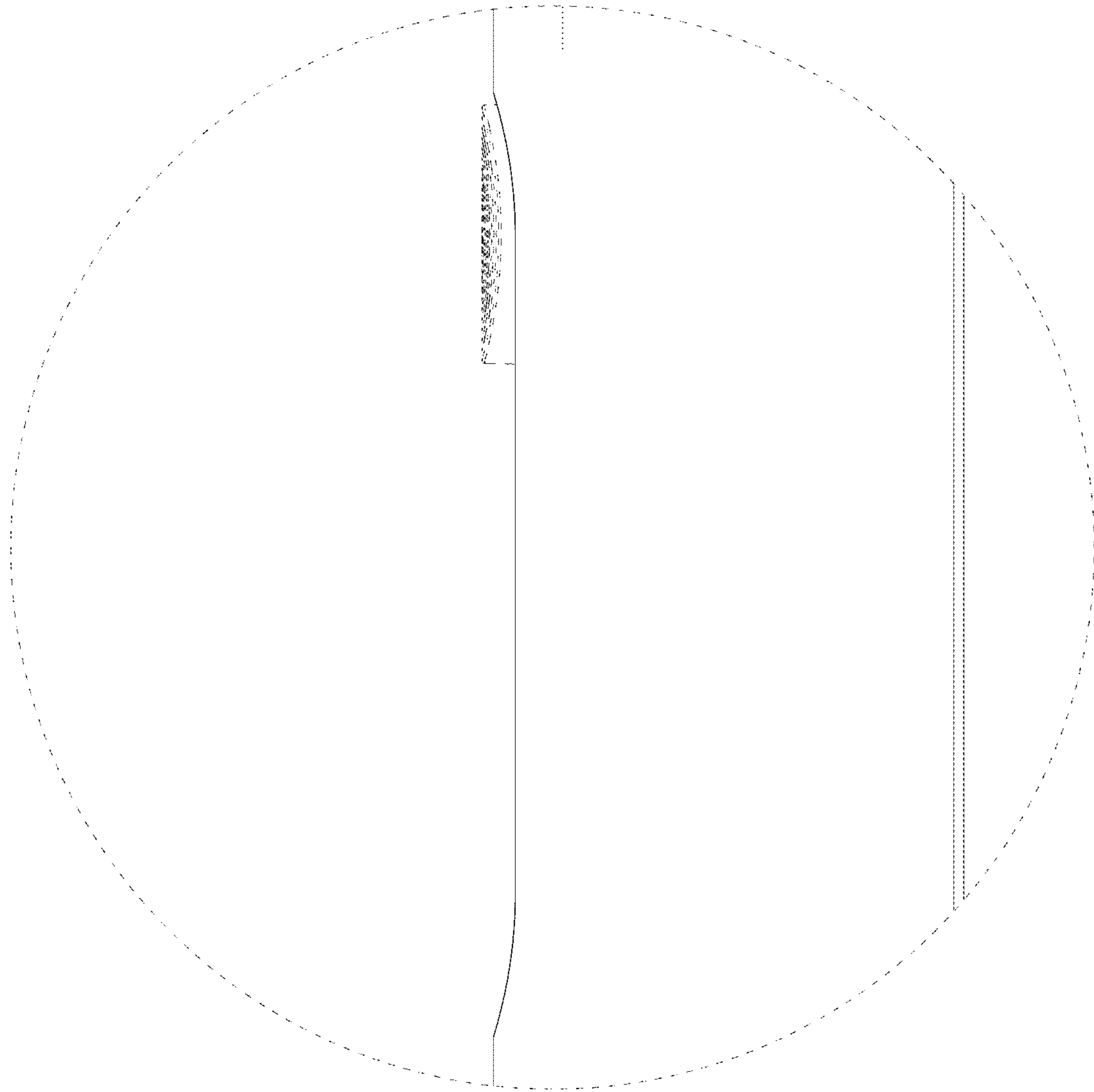


FIG. 8

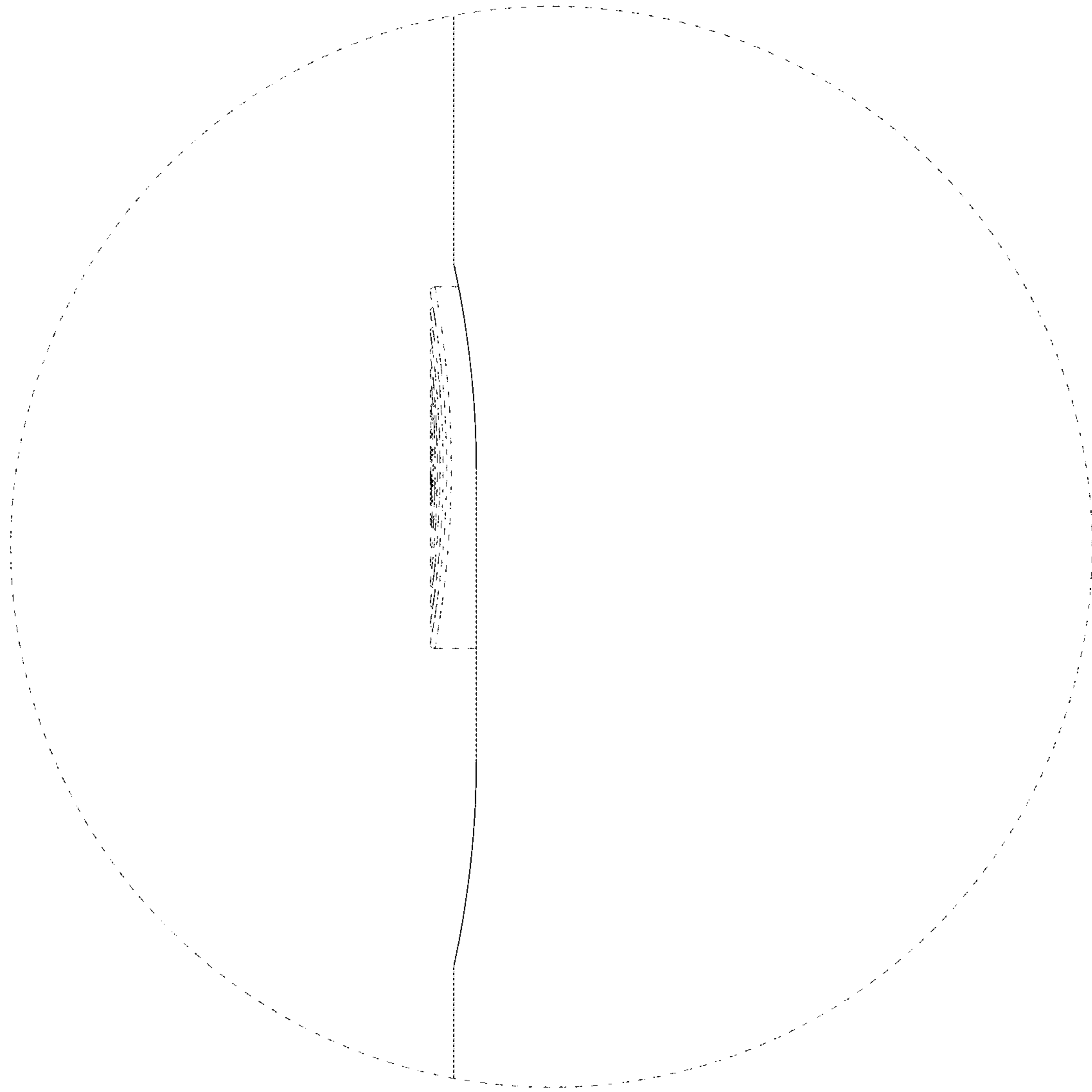


FIG. 9

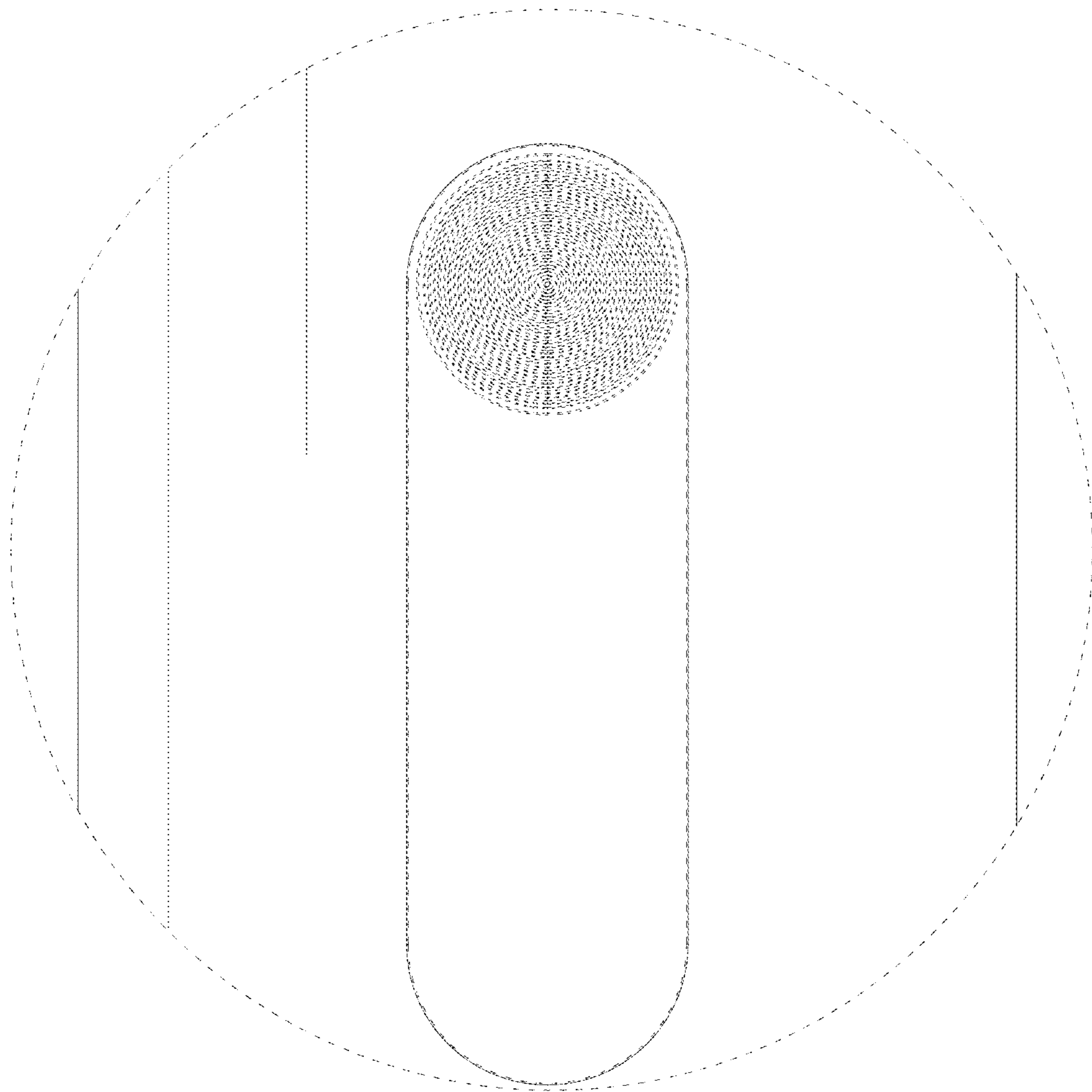


FIG. 10

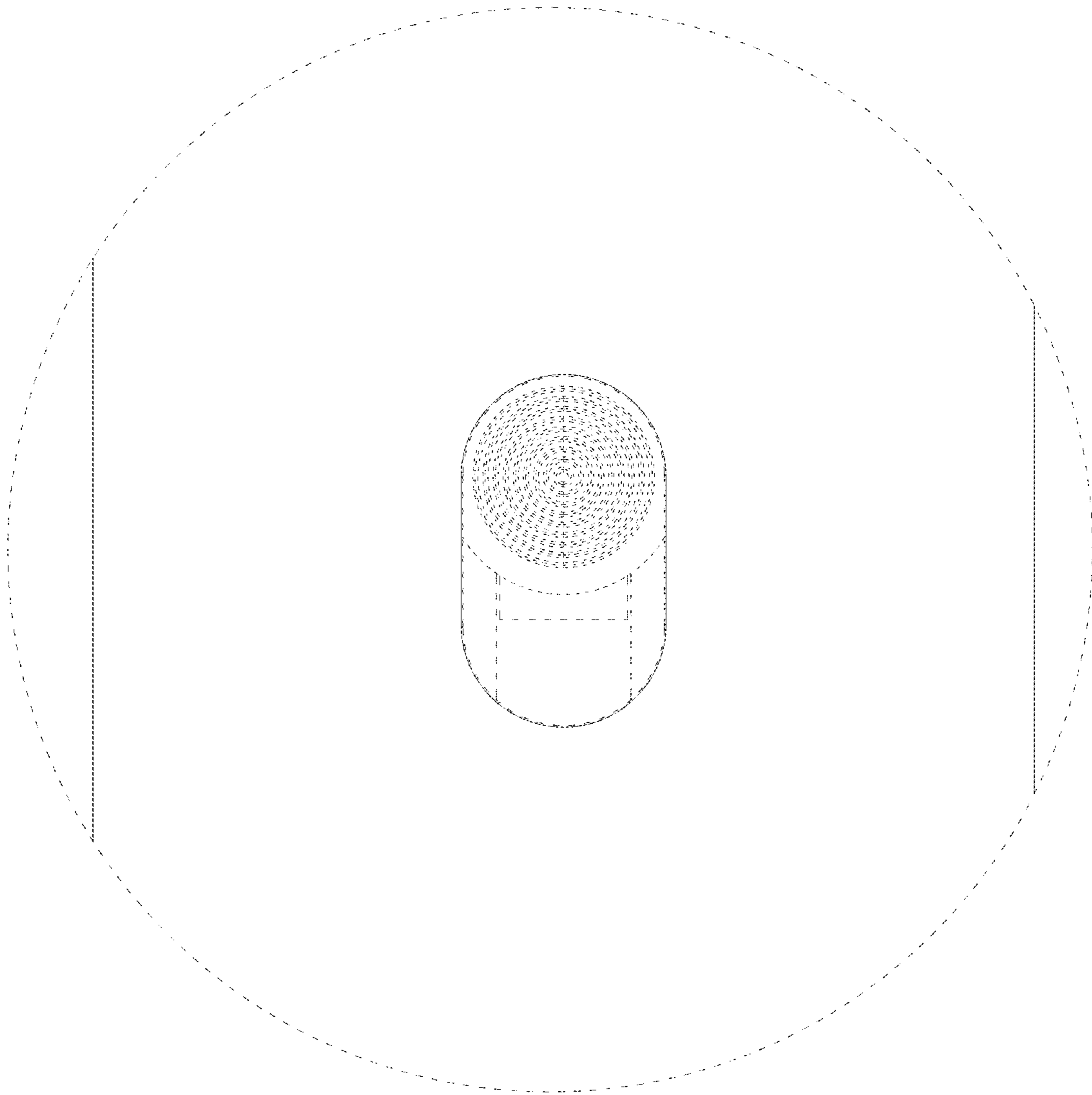


FIG. 11