



US00D933887S

(12) **United States Design Patent** (10) **Patent No.:** **US D933,887 S**  
**Thomason et al.** (45) **Date of Patent:** **\*\* Oct. 19, 2021**

(54) **BASE UNIT FOR VACUUM ASSISTED SYSTEMS FOR GROOMING HAIR**

D913,587 S \* 3/2021 Thomason ..... D28/15  
 D913,588 S \* 3/2021 Thomason ..... D28/18  
 D913,611 S \* 3/2021 Ma ..... D32/21

(71) Applicant: **RevAir, LLC**, Macedonia, OH (US)

\* cited by examiner

(72) Inventors: **Scott Thomason**, Macedonia, OH (US);  
**Lou Monaco**, South Euclid, OH (US);  
**Todd M. Bradford**, Orrville, OH (US)

*Primary Examiner* — Zenia I Bennett

(74) *Attorney, Agent, or Firm* — Benesch, Friedlander, Coplan & Aronoff LLP

(73) Assignee: **RevAir, LLC**, Macedonia, OH (US)

(57) **CLAIM**

(\*\*) Term: **15 Years**

What is claimed is the ornamental design for base unit for vacuum assisted systems for grooming hair, as shown and described.

(21) Appl. No.: **29/774,246**

**DESCRIPTION**

(22) Filed: **Mar. 15, 2021**

**Related U.S. Application Data**

(62) Division of application No. 29/664,217, filed on Sep. 24, 2018, now Pat. No. Des. 913,588.

(51) **LOC (13) Cl.** ..... **28-03**

(52) **U.S. Cl.**  
USPC ..... **D28/18**

(58) **Field of Classification Search**

USPC ..... D28/12–19; D8/29.1; D32/19, 21, 25  
 CPC ..... A45D 20/00; A45D 20/08; A45D 20/10;  
 A45D 20/12; A45D 20/122; A45D  
 20/124; A45D 2020/128

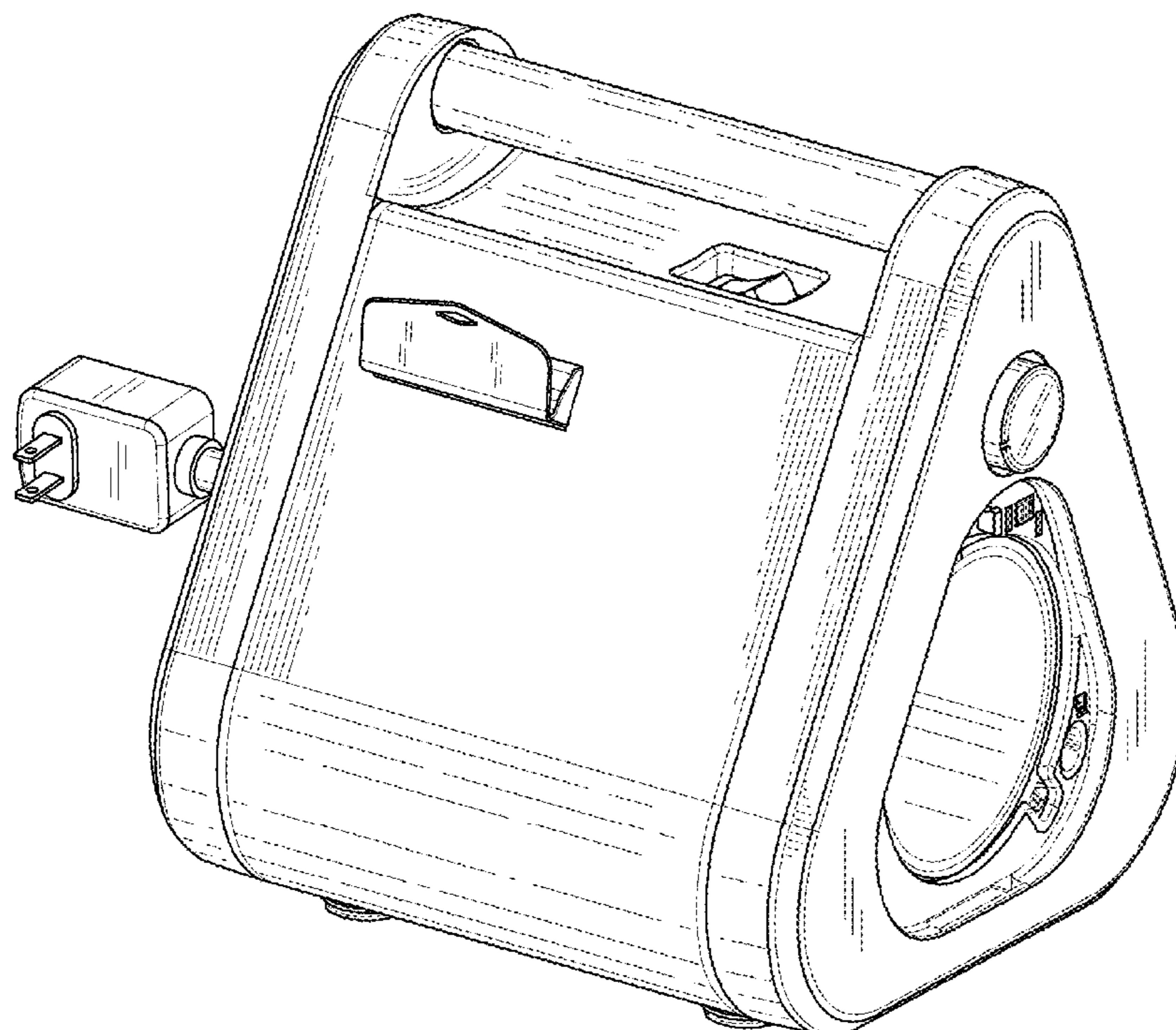
See application file for complete search history.

(56) **References Cited**

**U.S. PATENT DOCUMENTS**

D305,464 S \* 1/1990 Rickard ..... D28/12  
 D315,234 S \* 3/1991 Frisell ..... D32/21

**1 Claim, 8 Drawing Sheets**



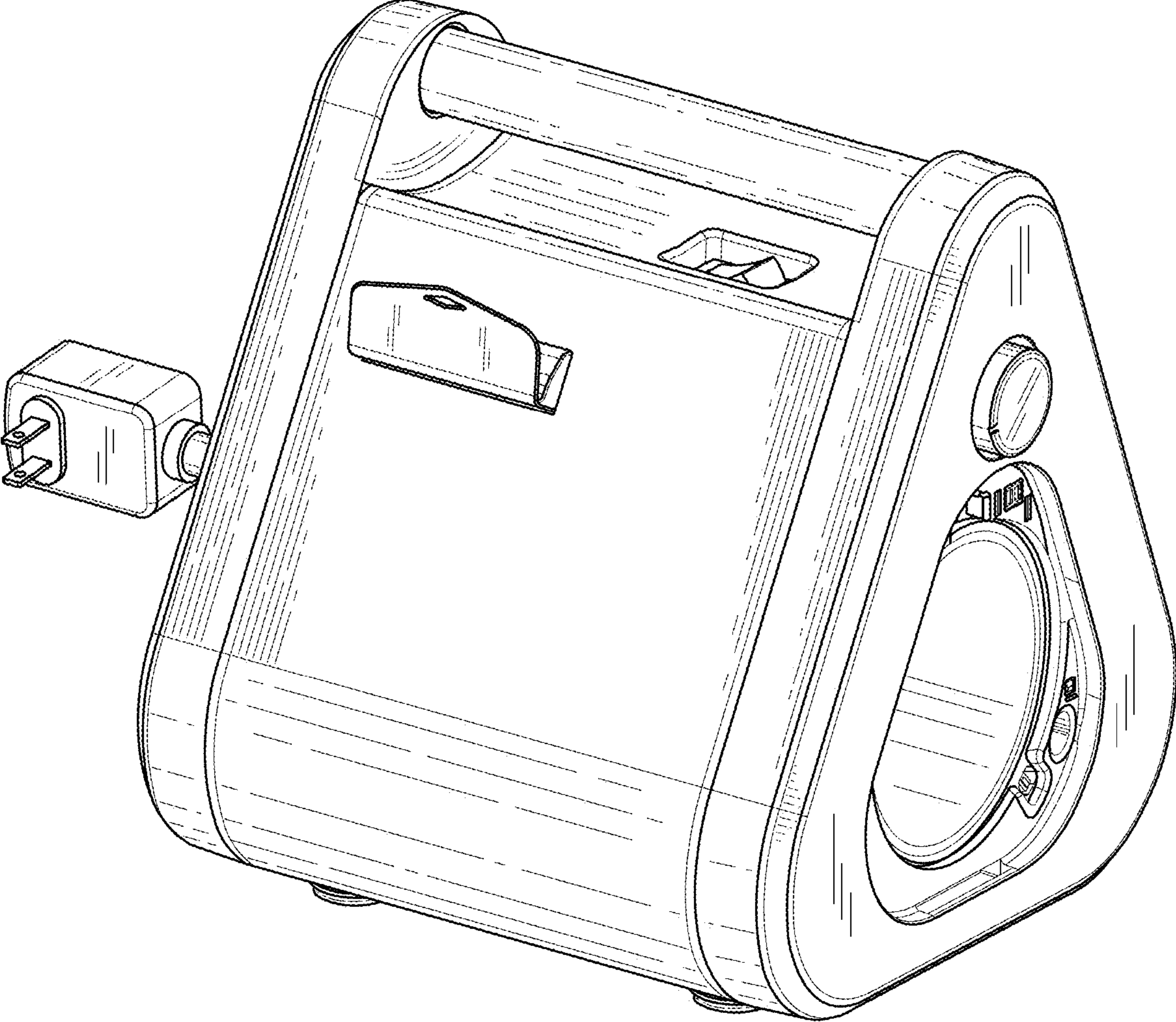


FIG. 1

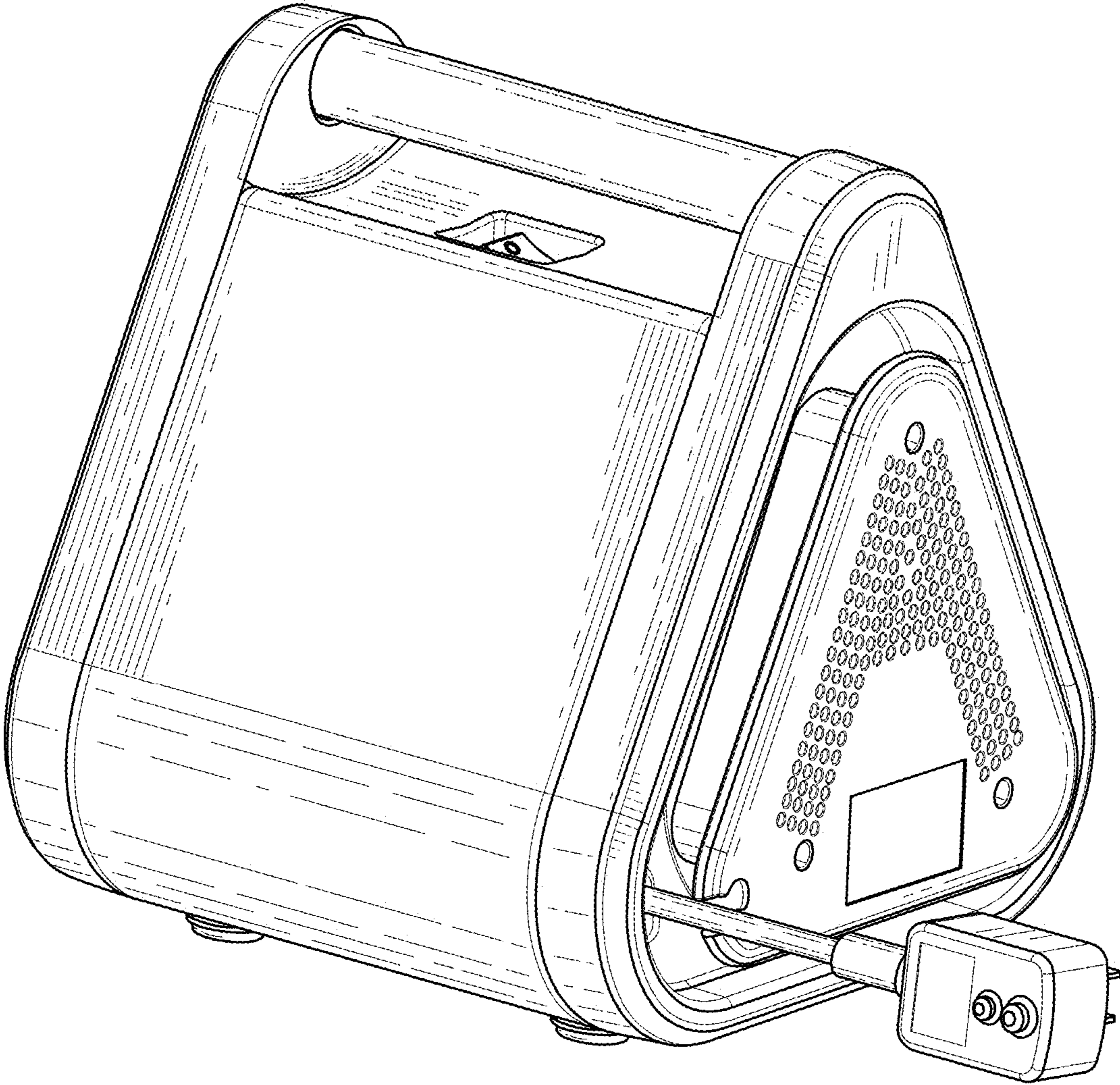


FIG. 2

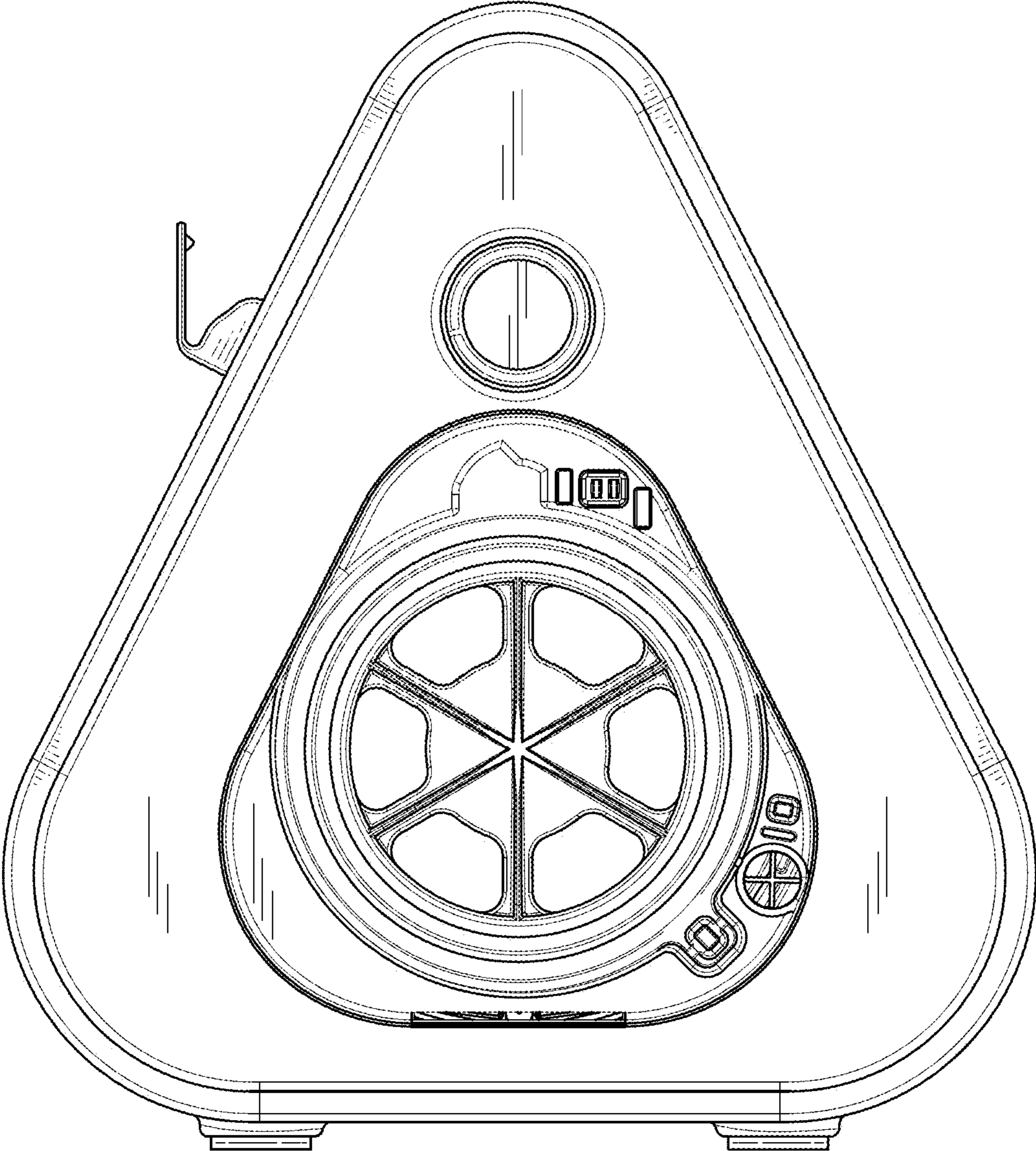


FIG. 3

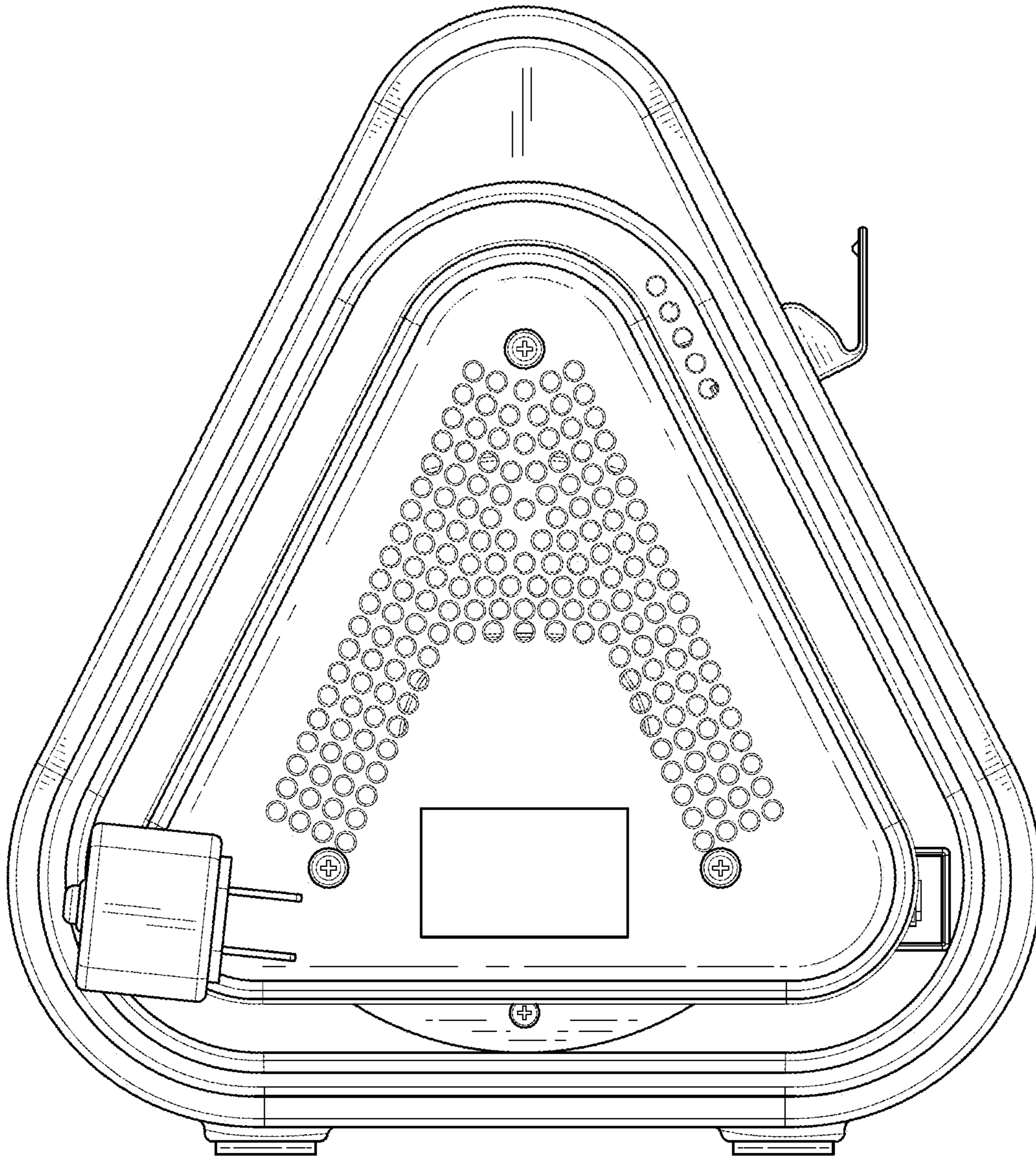


FIG. 4

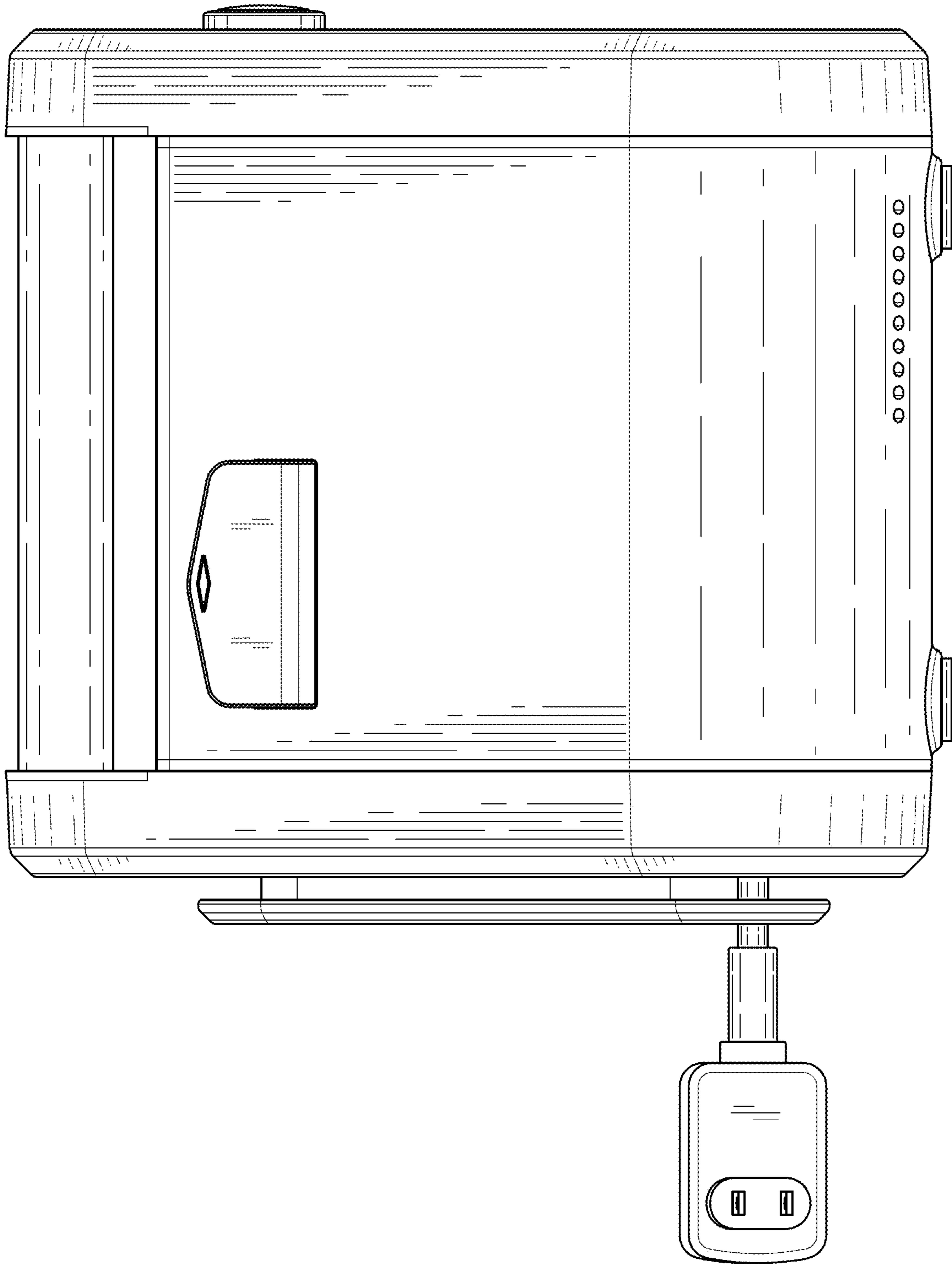


FIG. 5

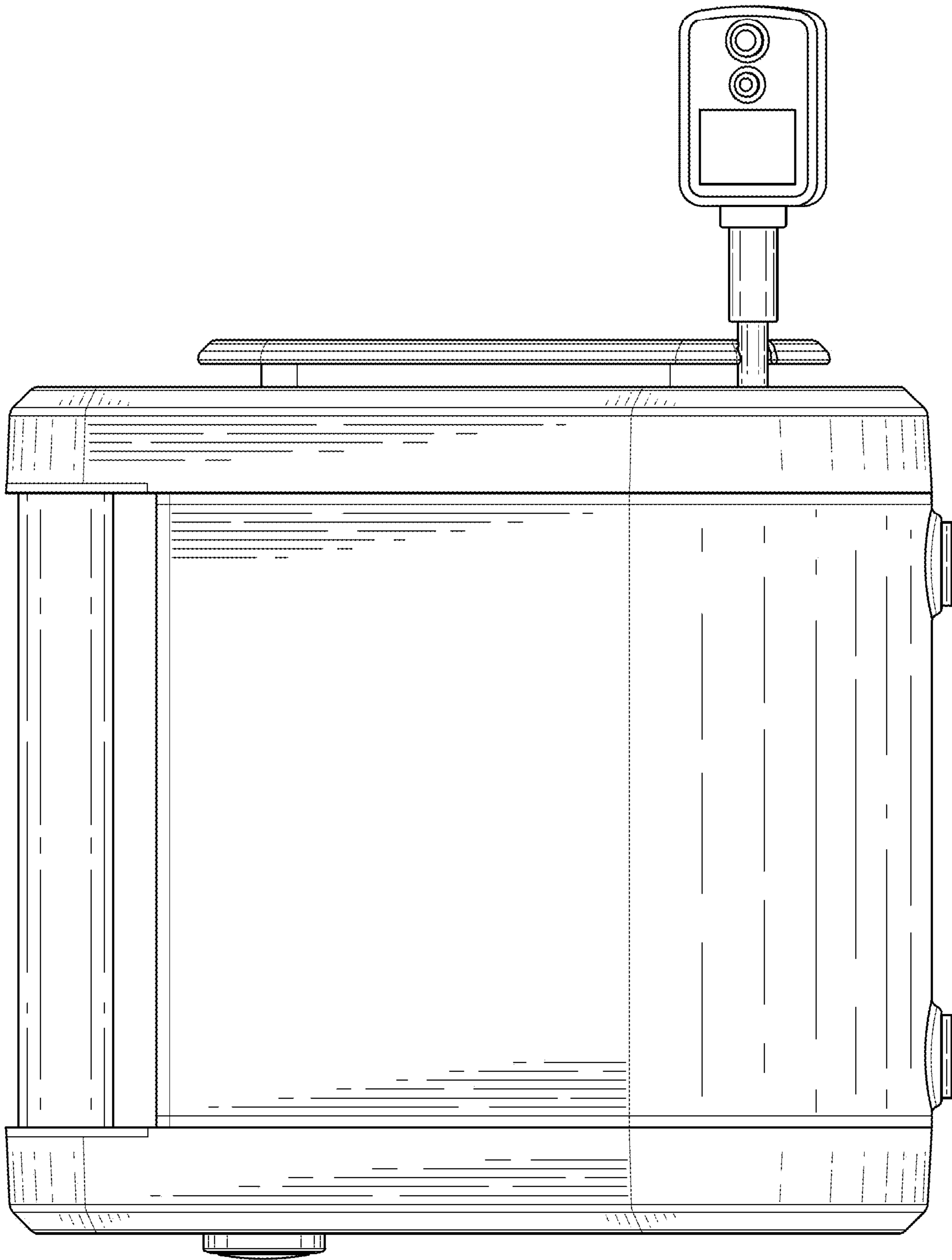


FIG. 6

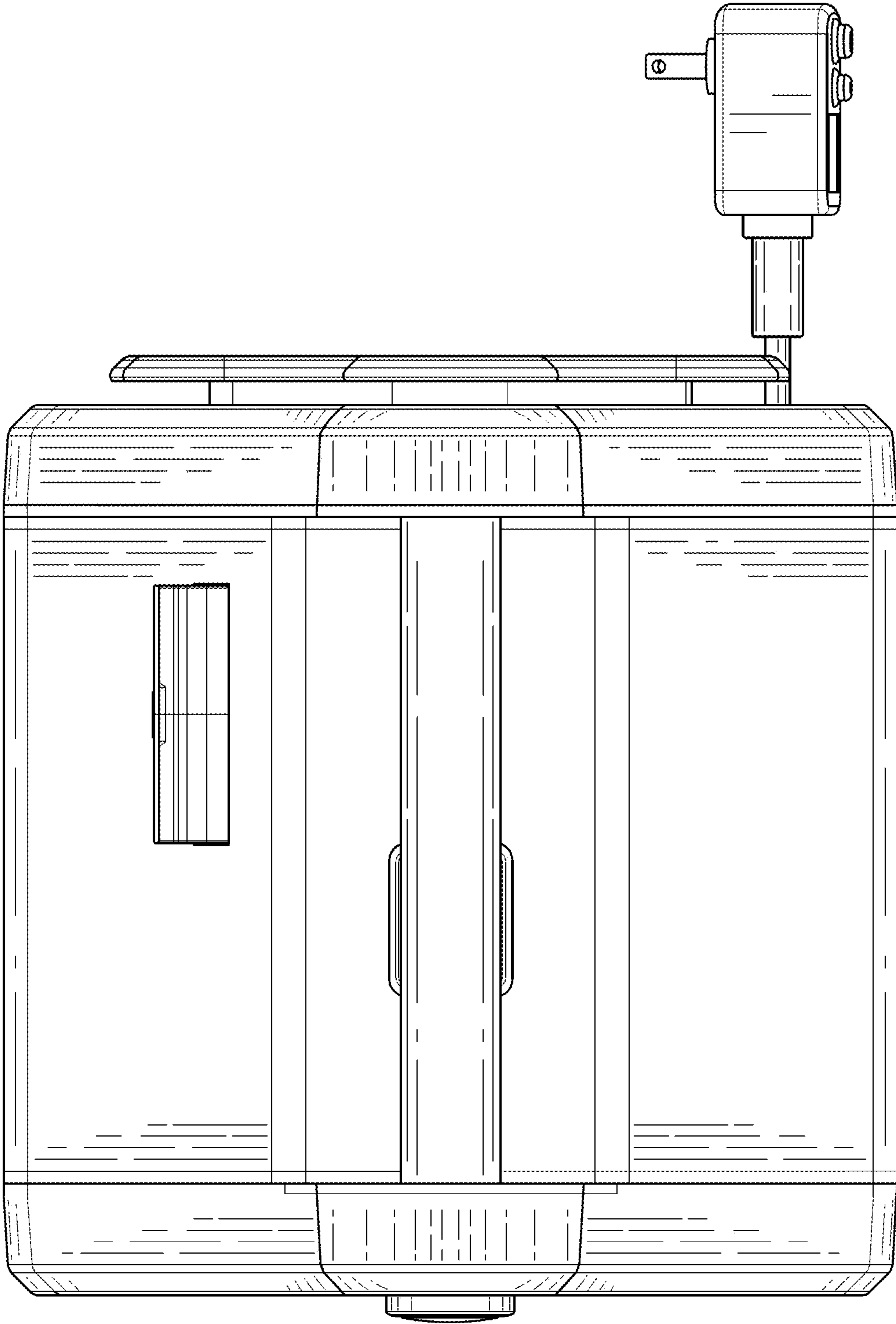


FIG. 7



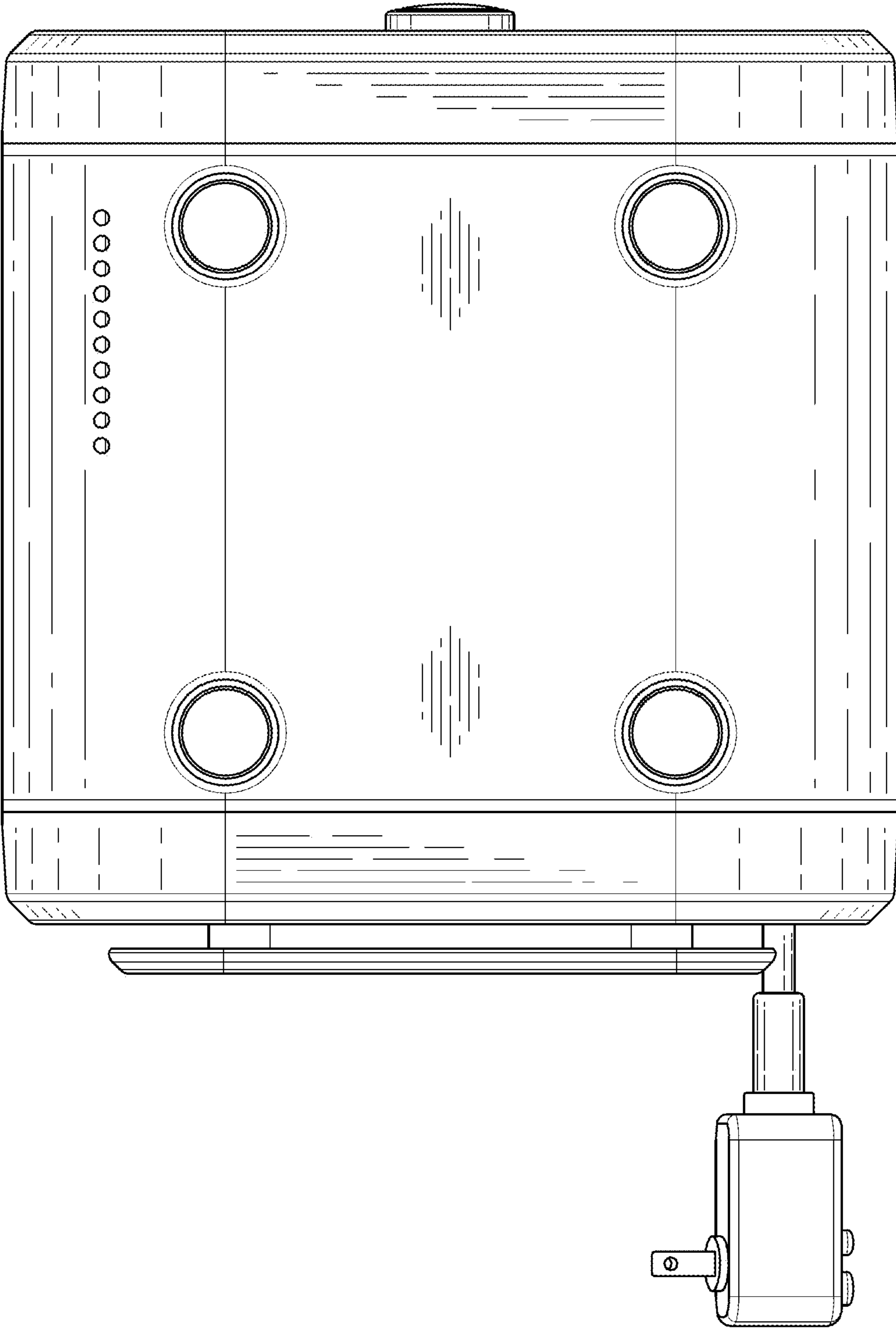


FIG. 8