



US00D933886S

(12) **United States Design Patent**
Huang

(10) **Patent No.:** **US D933,886 S**

(45) **Date of Patent:** **** Oct. 19, 2021**

(54) **HAIR DRYER**

(71) Applicant: **GUANGDONG HUANENGDA
ELECTRICAL APPLIANCES CO.,
LTD, Jieyang (CN)**

(72) Inventor: **Minxun Huang, Jieyang (CN)**

(73) Assignee: **GUANGDONG HUANENGDA
ELECTRICAL APPLIANCES CO.,
LTD, Jieyang (CN)**

(**) Term: **15 Years**

(21) Appl. No.: **29/774,280**

(22) Filed: **Mar. 16, 2021**

(51) **LOC (13) Cl.** **28-03**

(52) **U.S. Cl.**
USPC **D28/13**

(58) **Field of Classification Search**
USPC D28/12-19; D8/29.1
CPC A45D 20/00; A45D 20/08; A45D 20/10;
A45D 20/12; A45D 20/122; A45D
20/124; A45D 20/128
See application file for complete search history.

(56) **References Cited**

U.S. PATENT DOCUMENTS

D605,354 S * 12/2009 Keong D28/13
D627,510 S * 11/2010 Zabala D28/13

D629,967 S * 12/2010 Mayo D28/13
D681,274 S * 4/2013 Huang D28/13
D758,657 S * 6/2016 Hary D28/13
D898,281 S 10/2020 Yang
D901,764 S * 11/2020 Huang D28/13
D901,766 S 11/2020 Huang
D914,970 S * 3/2021 Huang D28/13

* cited by examiner

Primary Examiner — Zenia I Bennett

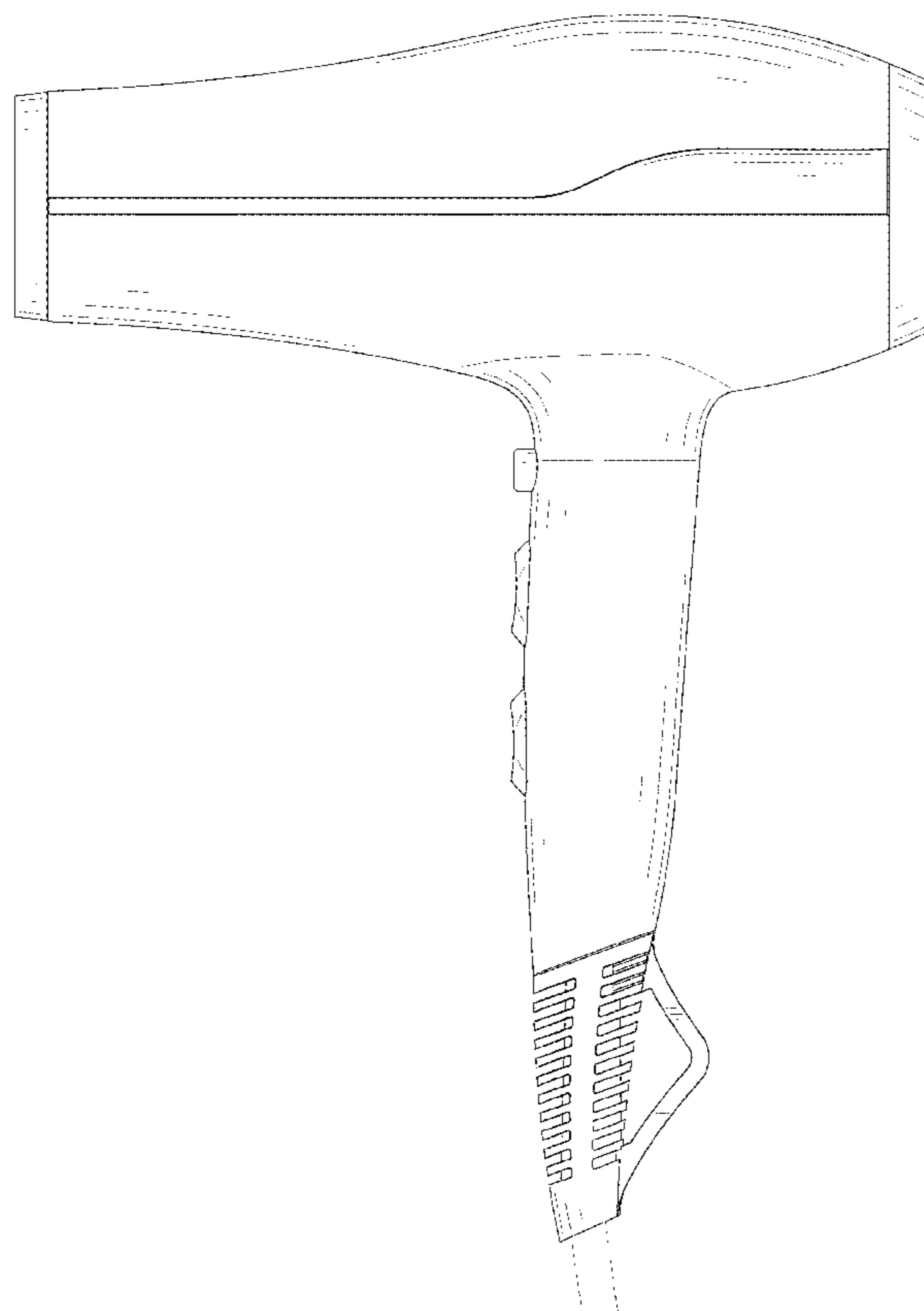
(57) **CLAIM**

The ornamental design for a hair dryer, as shown and described.

DESCRIPTION

FIG. 1 is a perspective view of a hair dryer showing my new design;
FIG. 2 is another perspective view thereof;
FIG. 3 is a front elevational view thereof;
FIG. 4 is a rear elevational view thereof;
FIG. 5 is a left side elevational view thereof;
FIG. 6 is a right side elevational view thereof;
FIG. 7 is a top plan view thereof;
FIG. 8 is a bottom plan view thereof;
FIG. 9 is an enlarged view of portion 9 shown in FIG. 2; and,
FIG. 10 is an enlarged view of portion 10 shown in FIG. 8.
The broken lines in the drawings depict portions of the hair dryer that form no part of the claimed design.

1 Claim, 10 Drawing Sheets



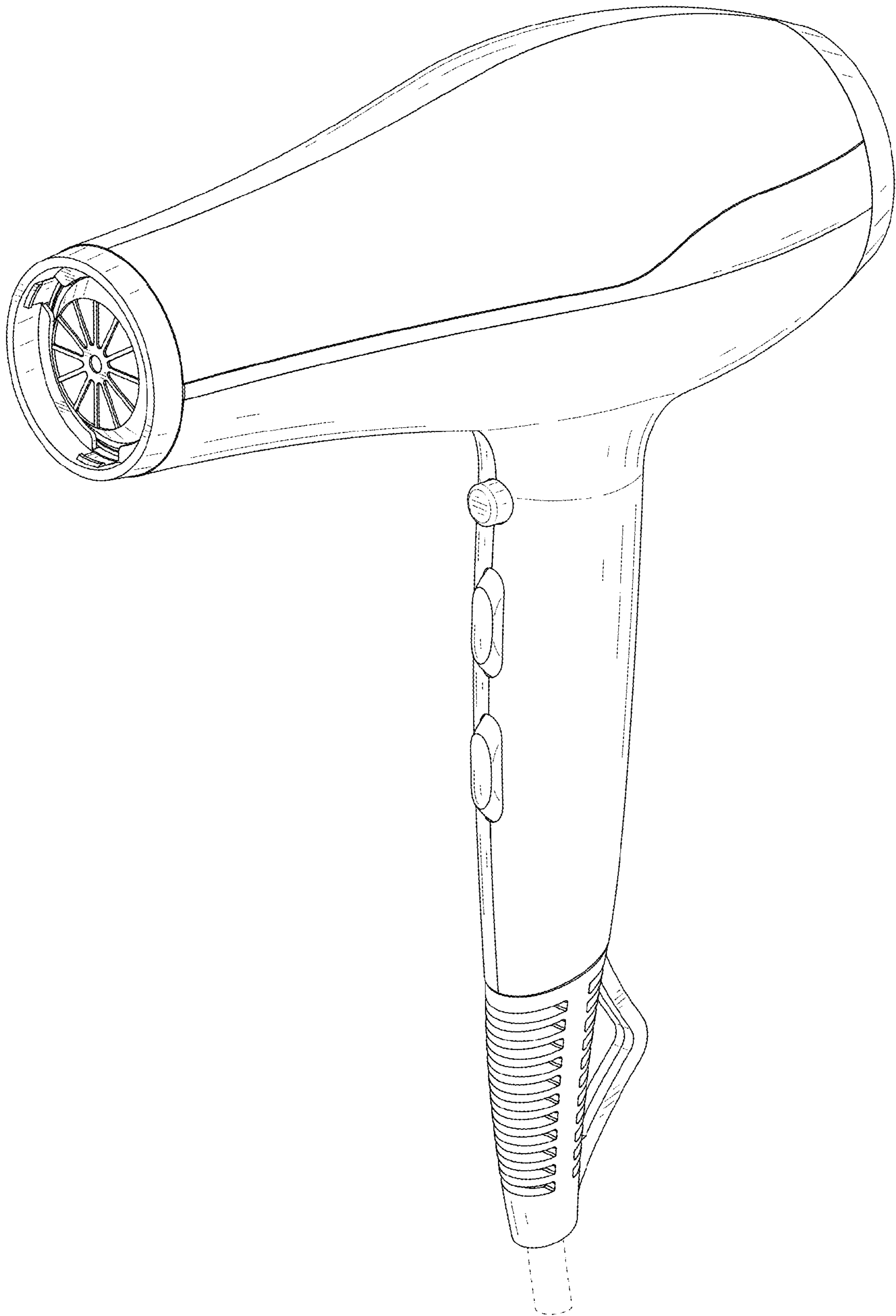


FIG. 1

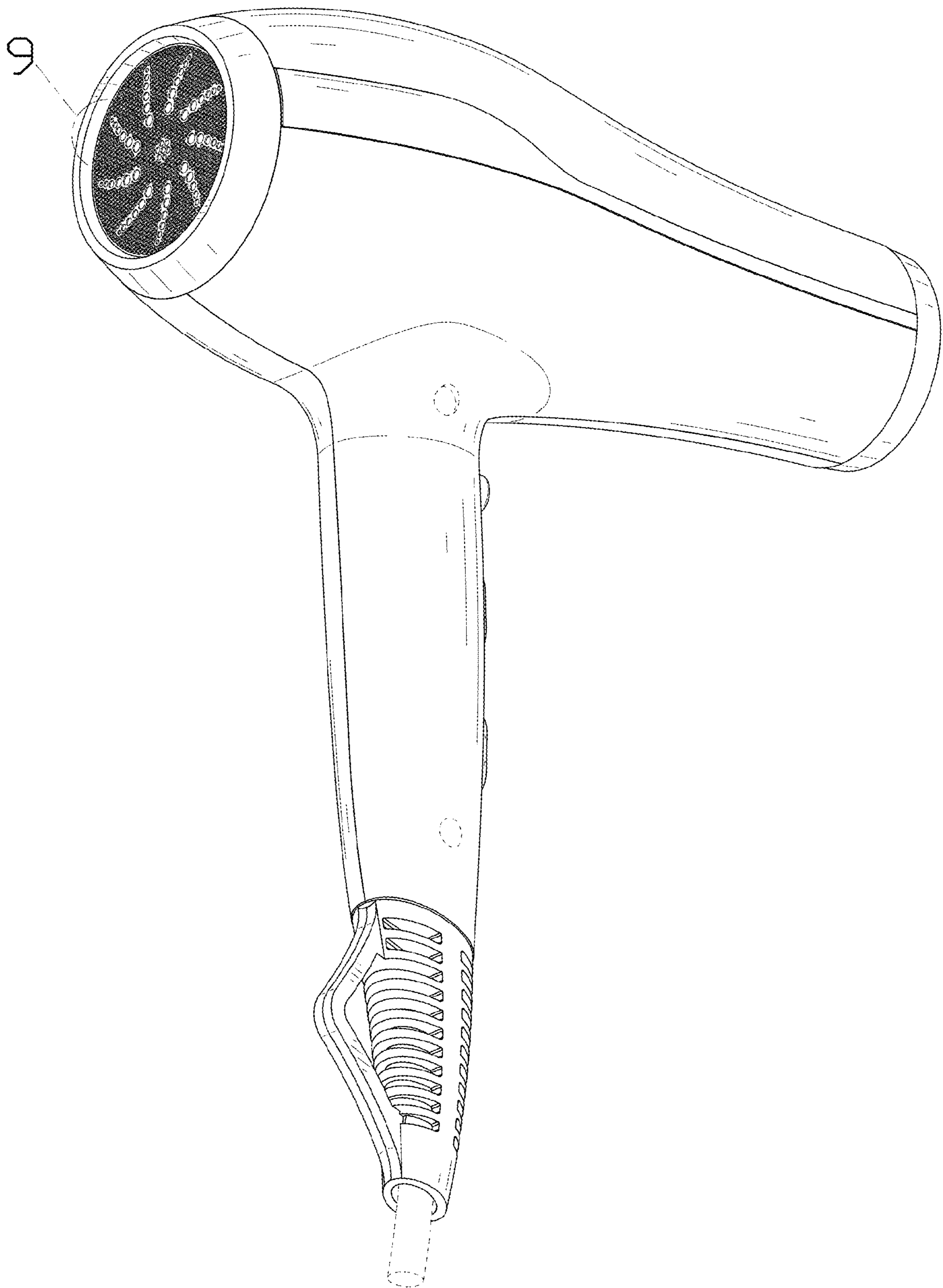


FIG. 2

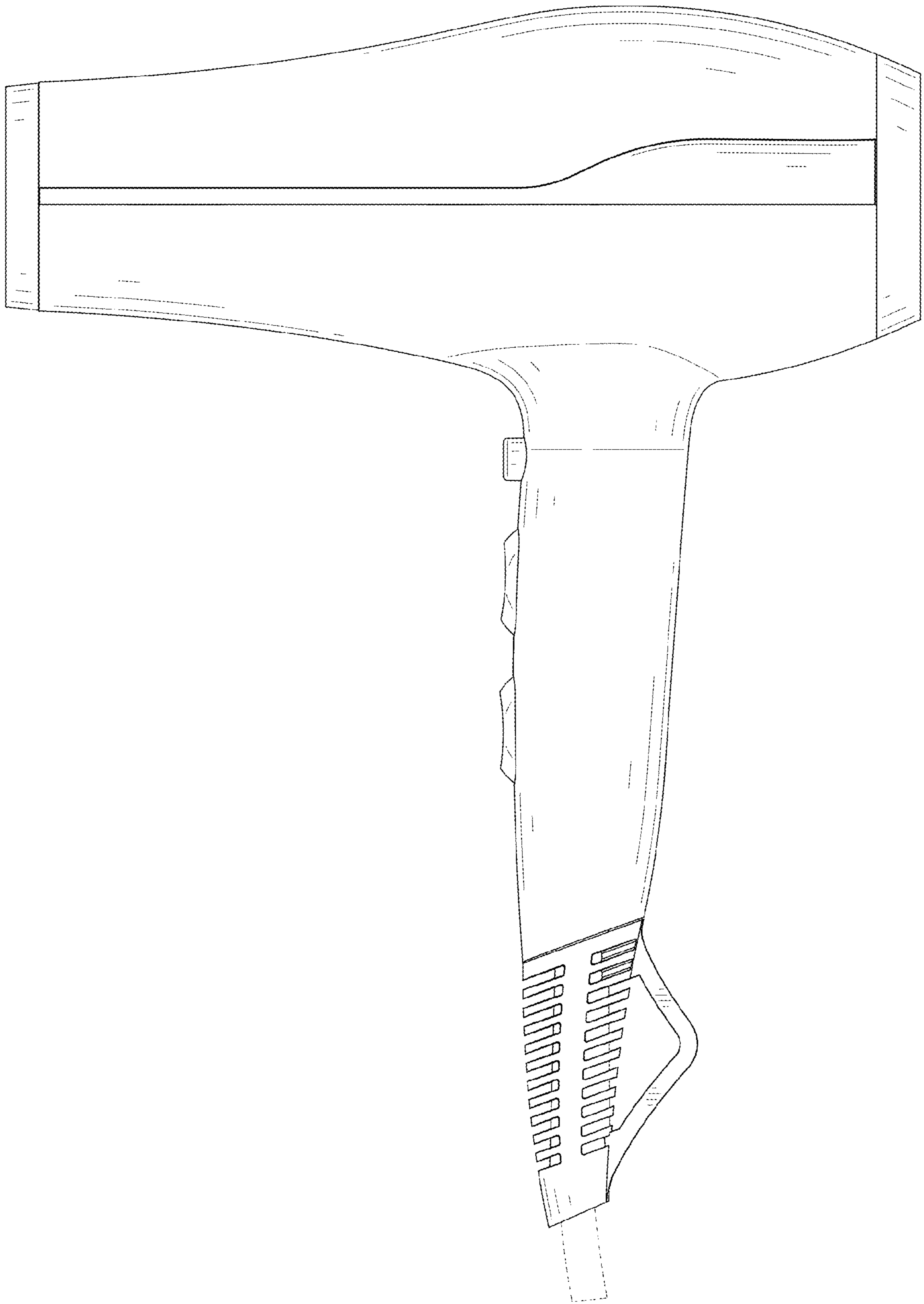


FIG. 3

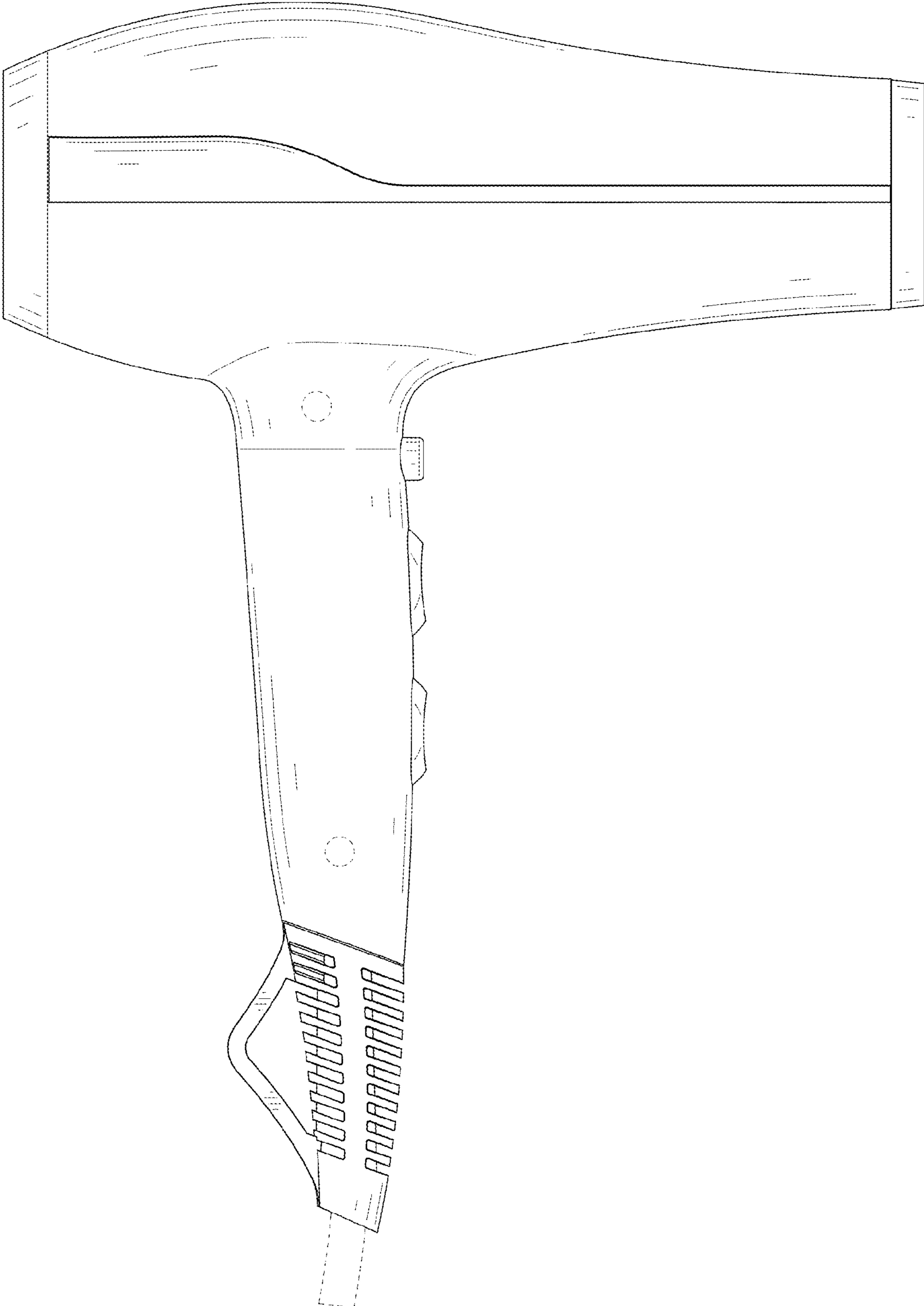


FIG. 4

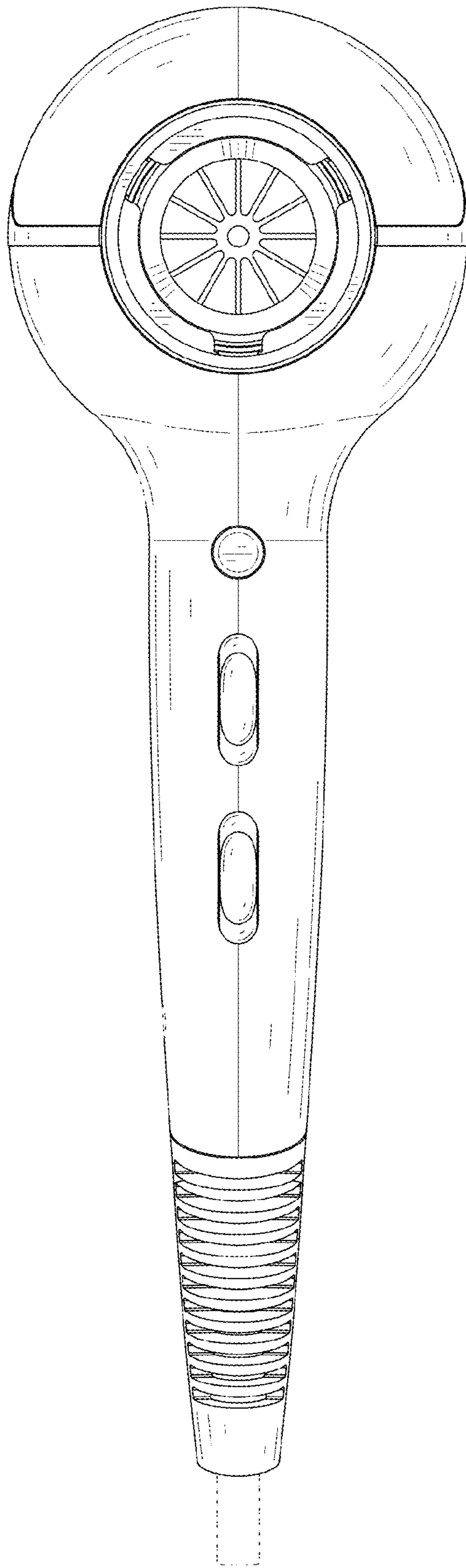


FIG. 5

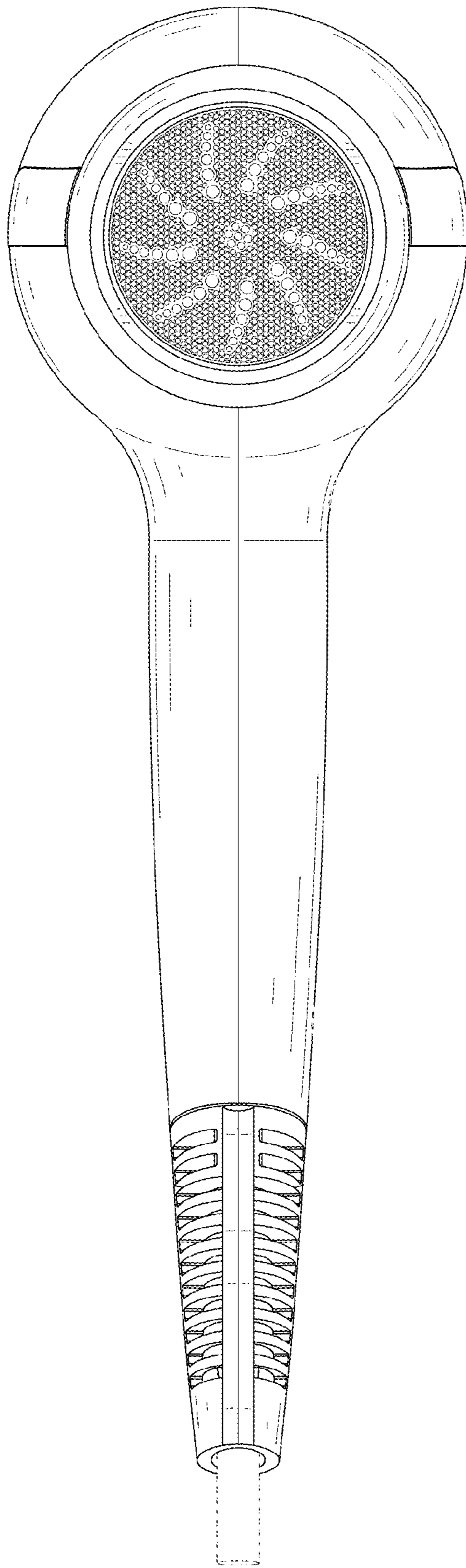


FIG. 6

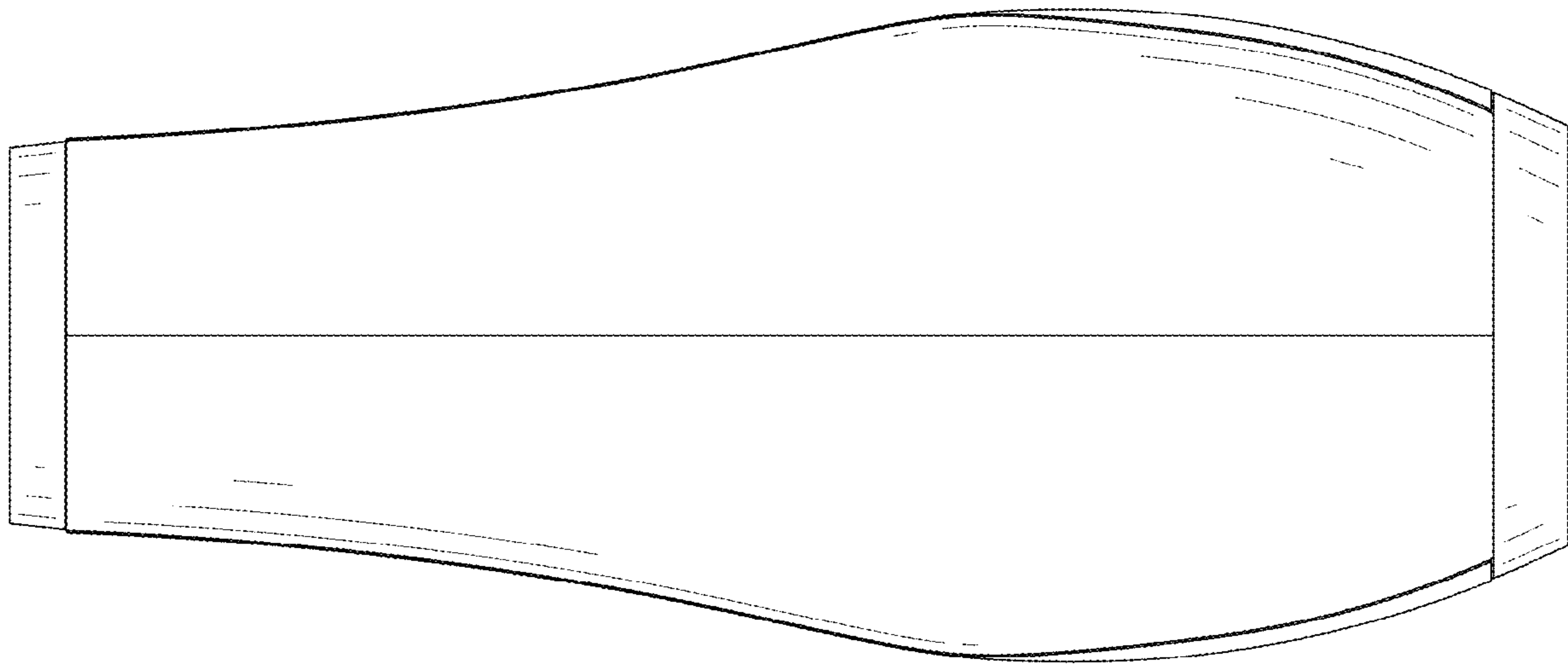


FIG. 7

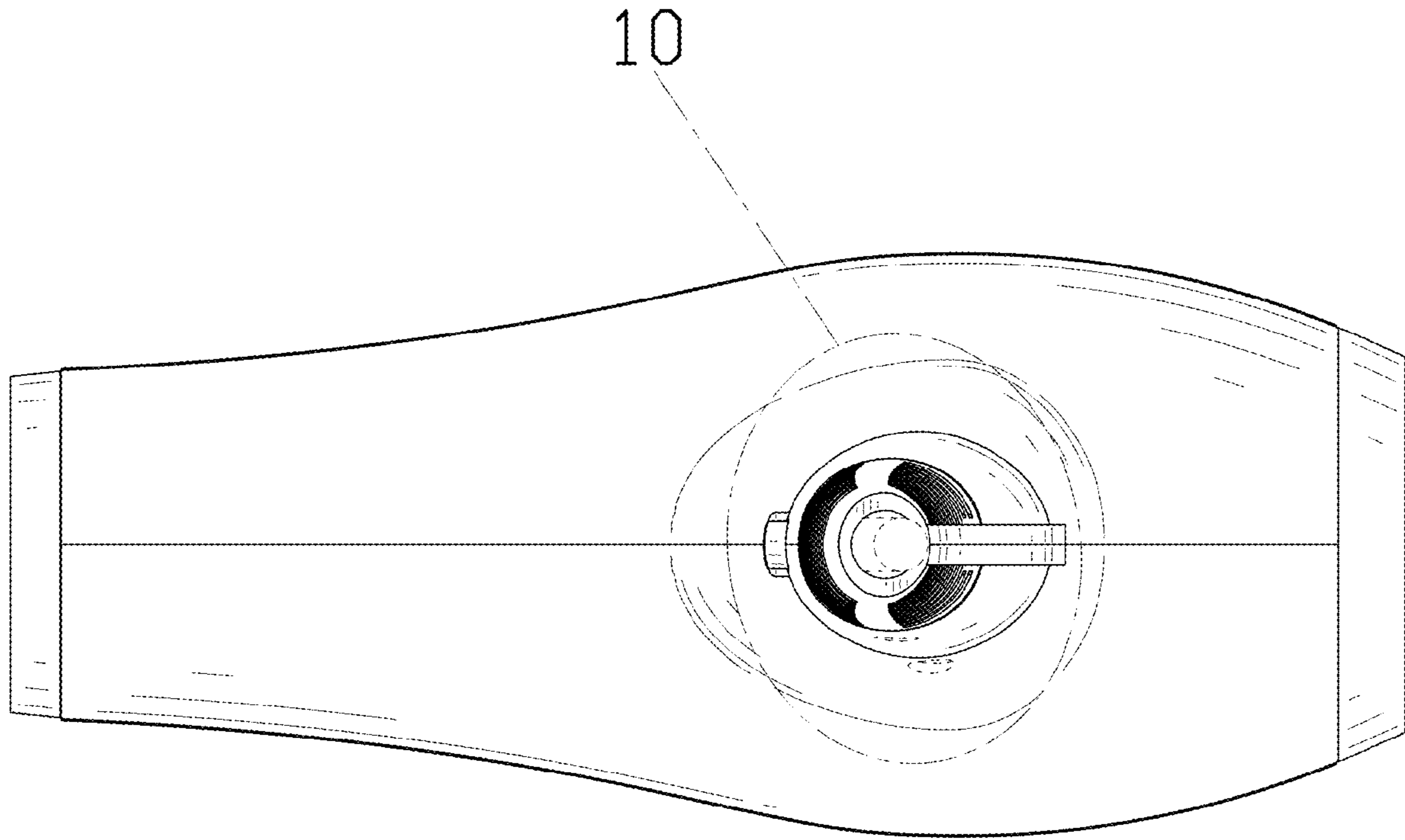


FIG. 8

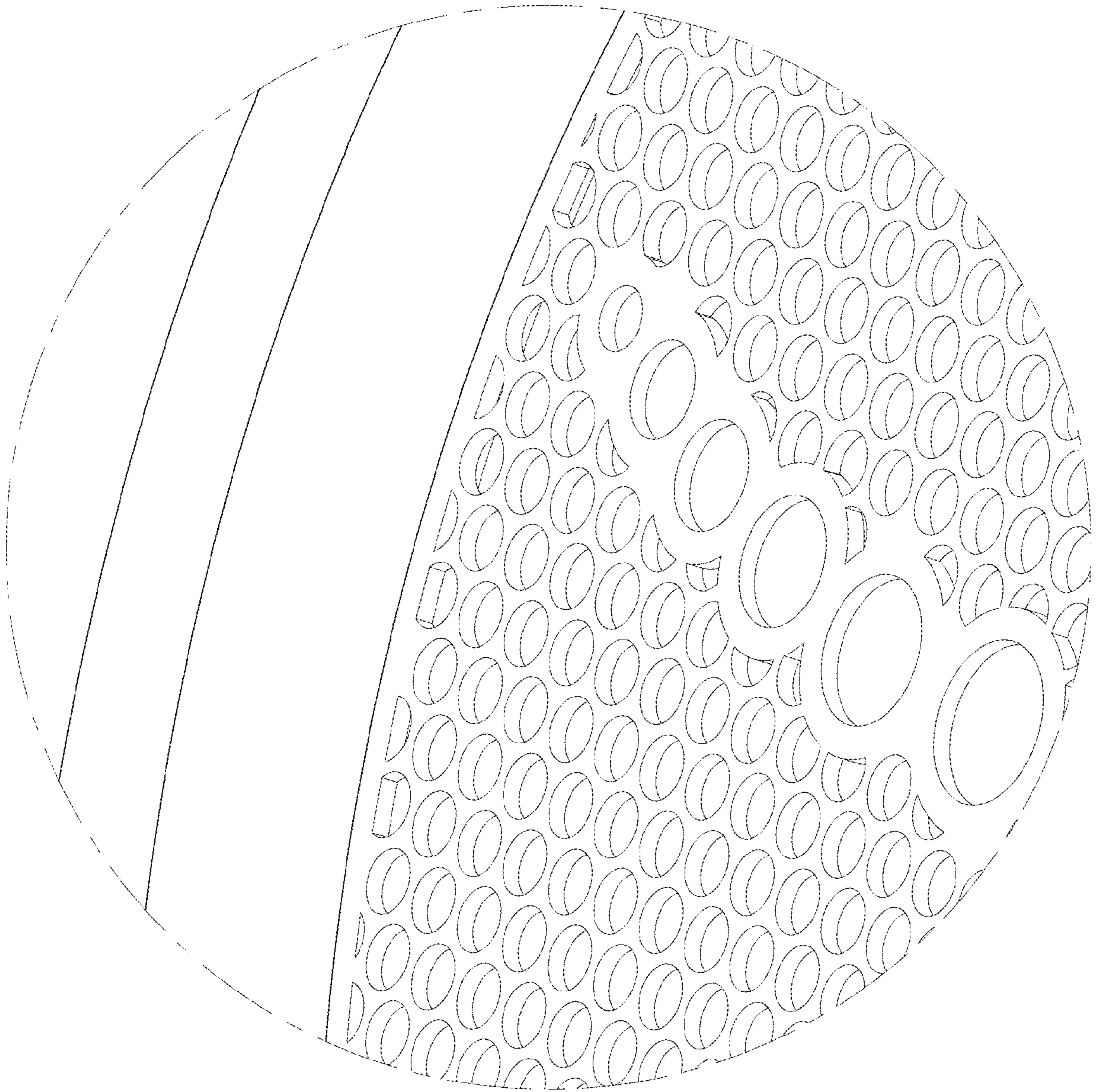


FIG. 9

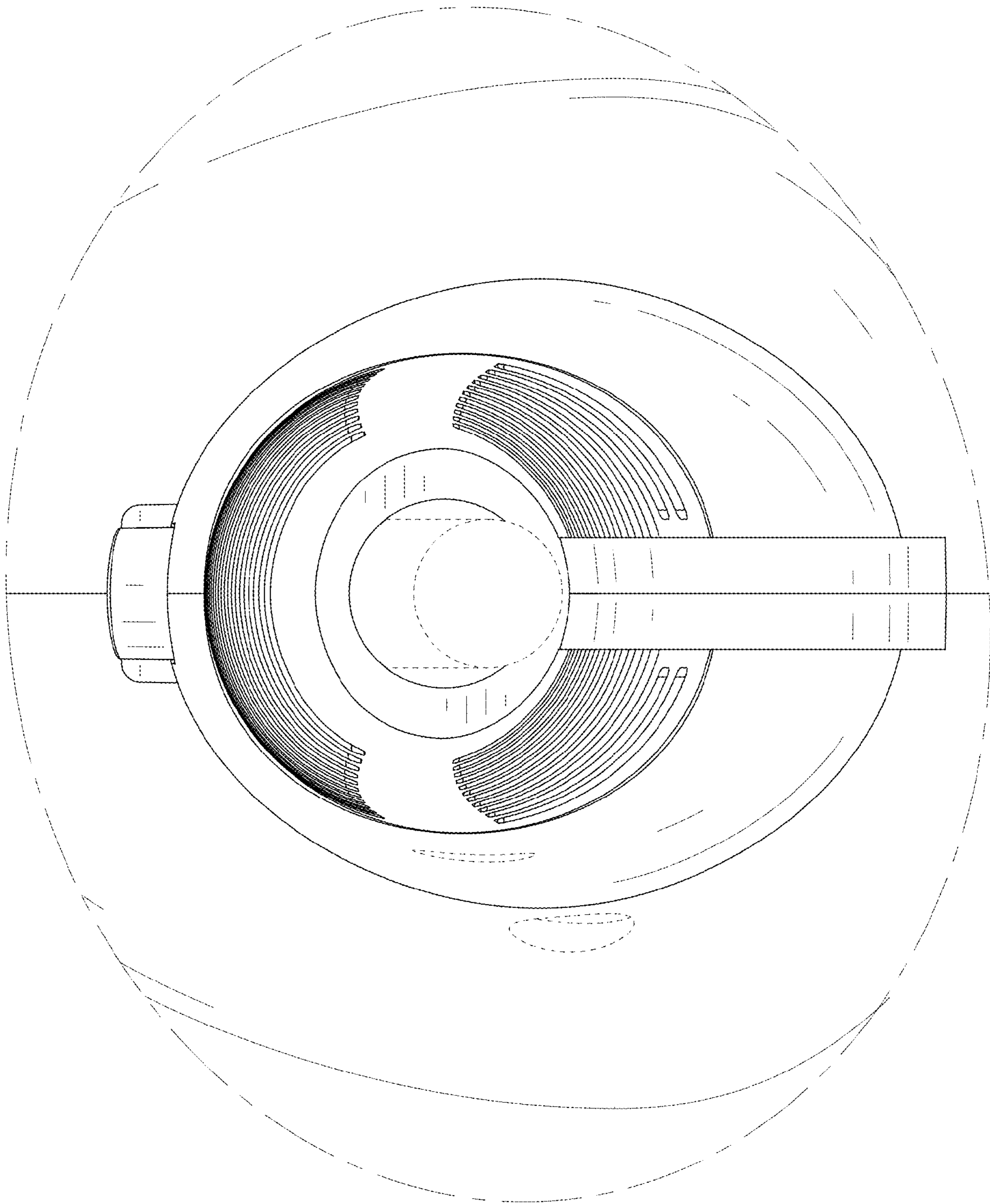


FIG. 10